

Cable Tray / Channel Tray 9X-1232-X

Channel Tray Accessories
Manufactured in the USA by MonoSystems, Inc.

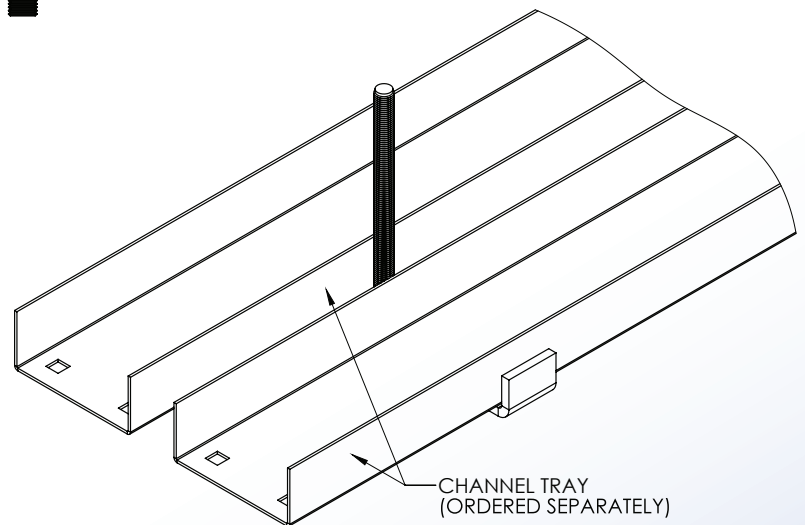
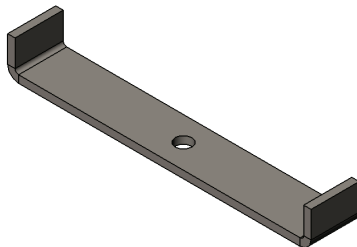
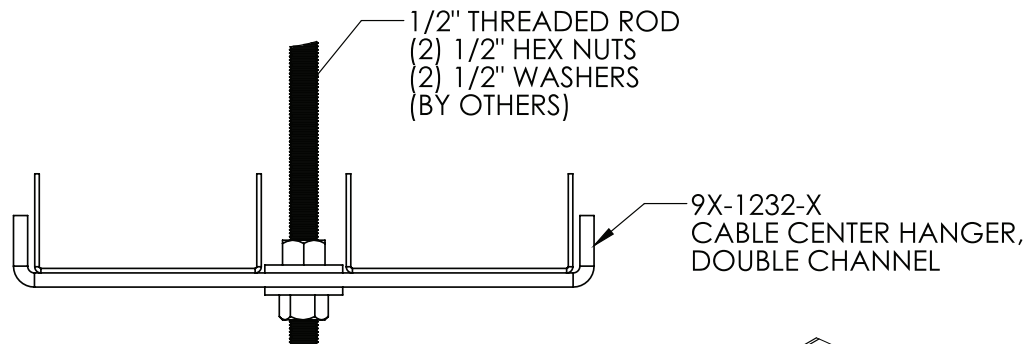


CABLE CENTER HANGER, DOUBLE CHANNEL



Notes:

- 1.) Furnished as one bracket. 265 lb safety factor. 3.0
- 2.) Attach 1/2" threaded rod to support system above (by others). Attach cable center hanger to 1/2" threaded rod using 1/2" hardware (by others). Rest channel tray (ordered separately) on center hanger as shown.
- 3.) Views for reference - do not scale.



ORDERING DATA EXAMPLE:

9 X - 1232 - X

HANGER MATERIAL

P = PREGLAV STEEL
G = HDGAF STEEL

CHANNEL TRAY WIDTH

3 = 3"
4 = 4"
6 = 6"

4 International Drive
Rye Brook, NY 10573
Toll Free: 1 888.764.7681
Phone: 914.934.2075
Fax: 914.934.2190
MonoSystems.com

