

Cable Tray / Channel Tray

SX-XX-90VC06

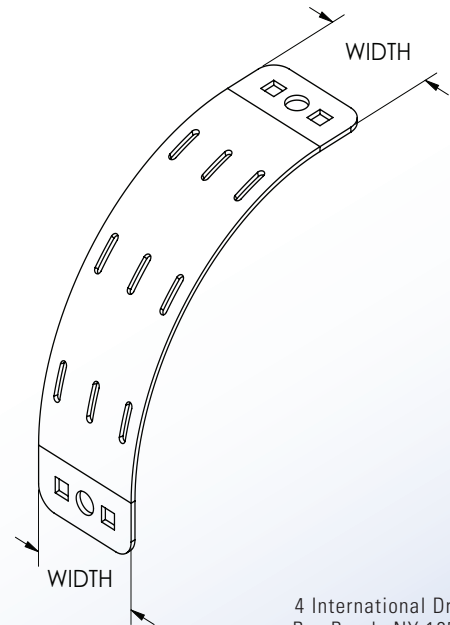
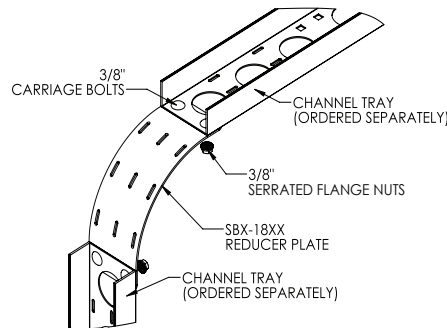
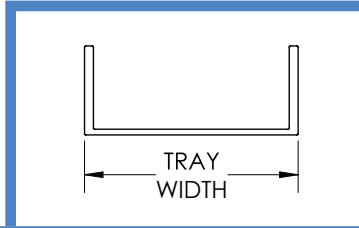
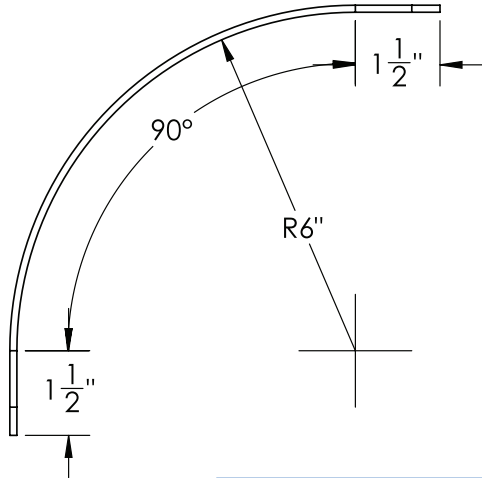
Channel Tray Fittings
 Manufactured in the USA by MonoSystems, Inc.



Vertical 90° Bend, 6" Rad Plate, Channel Tray

General Information

1. Attach radius plate to channel tray using provided 3/8" hardware as shown.
- 2.) Recommended torque: for 3/8" fasteners 25-35 ft-lbs [33.9-47.5 N-m].
- 3.) Views for reference - do not scale.



ORDERING DATA EXAMPLE:

SX - XX - 90 VC06

MATERIAL

A = ALUMINUM [100"]
 P = PREGLAV STEEL [14GA]
 G = HDGAF STEEL [14GA]
 SS4 = STAINLESS STEEL 304 [14GA]
 SS6 = STAINLESS STEEL 316 [14GA]

CHANNEL WIDTH

03 = 3"
 04 = 4"
 06 = 6"

FITTING ANGLE
 90° BEND

FITTING RADIUS

VERTICAL CONNECTOR
 6" RADIUS

4 International Drive
 Rye Brook, NY 10573
 Toll Free: 1 888.764.7681
 Phone: 914.934.2075
 Fax: 914.934.2190
 MonoSystems.com

