

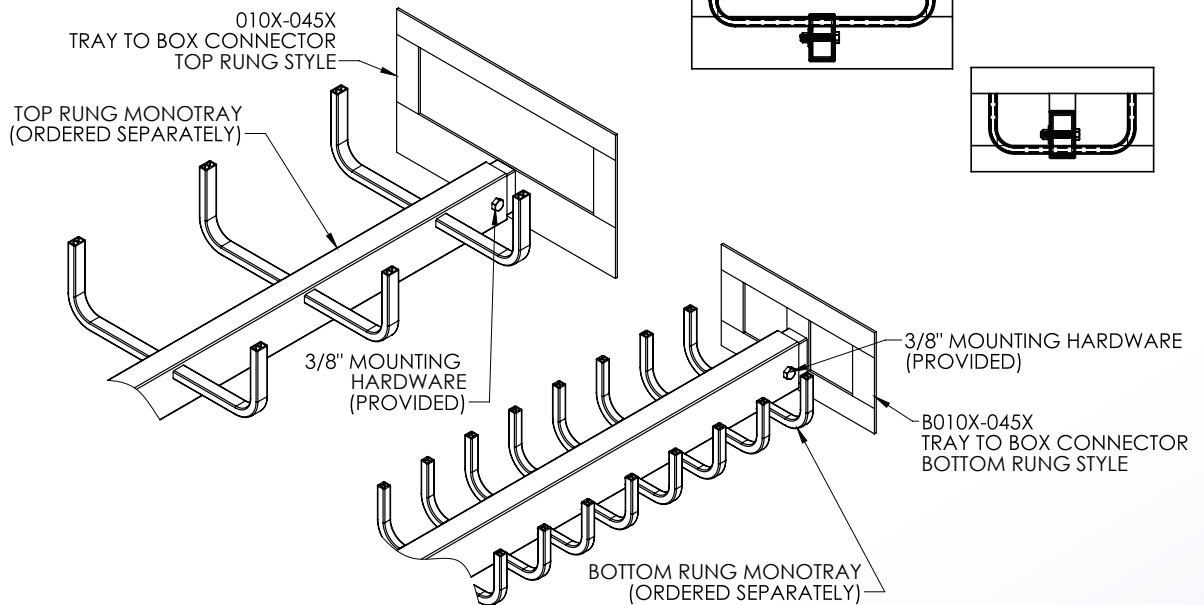
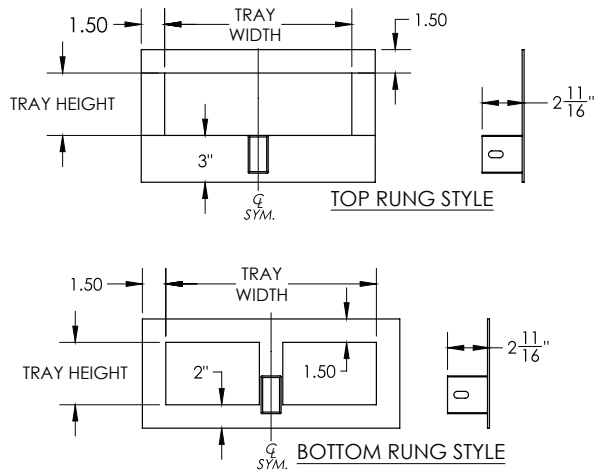
Cable Tray / Center Spine 010X-045X

MonoTray™ Accessories
Manufactured by MonoSystems, Inc.

ALUMINUM TRAY TO BOX CONNECTOR

Notes:

- 1.) Designed to attach the end of a Mono-Tray run to a distribution cabinet or control center to help reinforce the box at the point of entry.
- 2.) Includes 3/8"-16 x 2-1/2" hex bolt, washer and hex nut mounting hardware.
- 3.) Views for reference - do not scale.



ORDERING DATA EXAMPLE:

X 010 X - 045 X

STYLE

TRAY HEIGHT

TRAY WIDTH

LEAVE BLANK = TOP RUNG
B = BOTTOM RUNG

3 = 3"
4 = 4"
6 = 6"

| CALLOUT NUMBER | ACTUAL WIDTH (TOP RUNG) | ACTUAL WIDTH (BOTTOM RUNG) |
|----------------|-------------------------|----------------------------|
| 1 | 6" | 7.5" |
| 2 | 9" | 10.5" |
| 3 | 12" | 13.5" |
| 4 | 18" | 18" |
| 5 | 24" | 24" |

4 International Drive
Rye Brook, NY 10573
Toll Free: 1 888.764.7681
Phone: 914.934.2075
Fax: 914.934.2190
MonoSystems.com

