

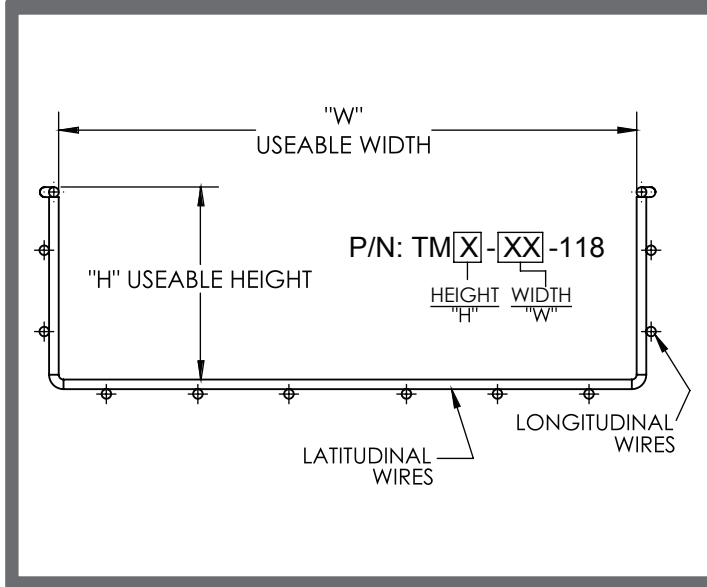
# Innovations / MonoMesh INSTALLATION

## TMX-XX-CROSS MonoMesh™ Install

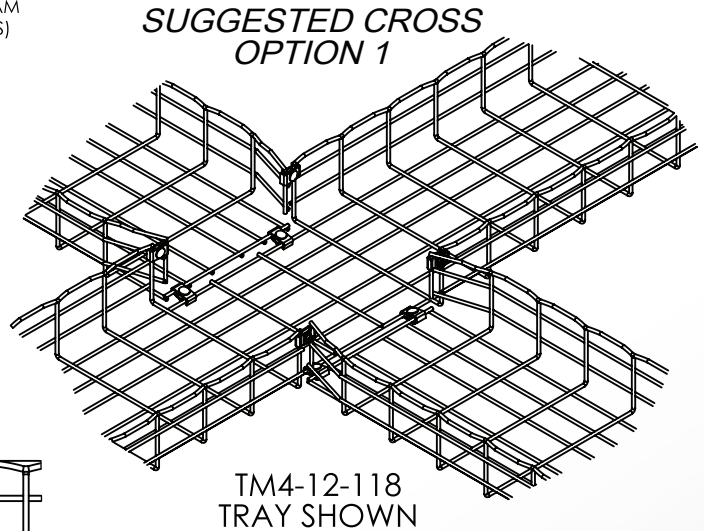
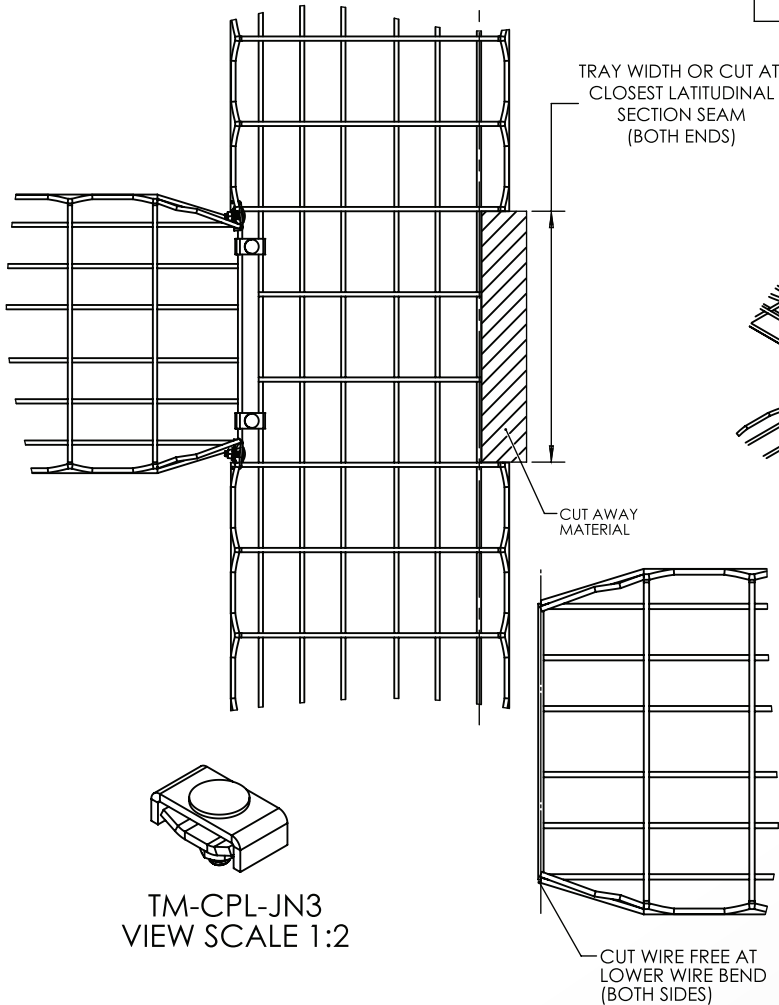
Manufactured by MonoSystems, Inc.

### INSTALLATION INSTRUCTIONS:

- 1.) Measure desired location of cross.
- 2.) Cut away Mono T-weld mesh slightly larger or smaller than width of tray to nearest vertical wire.
- 3.) Bend and adjoin vertical wires.
- 4.) Install TM-CPL-JN3 clips as shown.



MONO MESH HEIGHT	MONO MESH WIDTH	QTY OF TM-CPL-JN3
2"	3"   6"   8"	6
4" OR 6"	3"   6"   8"	6
2"	10"   12"	8
4" OR 6"	10"   12"	8
2"	16"   18"	8
4" OR 6"	16"   18"	12
2"	20"   24"	10
4" OR 6"	20"   24"	14



4 International Drive  
Rye Brook, NY 10573  
Toll Free: 1 888.764.7681  
Phone: 914.934.2075  
Fax: 914.934.2190  
MonoSystems.com

