

Cable Tray / Ladder Tray A0-2051-XX-BTD-V2

PowerTray™ Accessories

Manufactured by MonoSystems, Inc.

INSTALLATION INSTRUCTIONS

Notes:

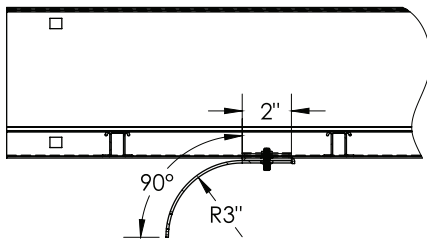
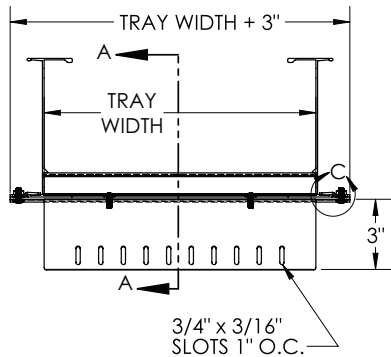
1.) Views for reference - do not scale.

Installation:

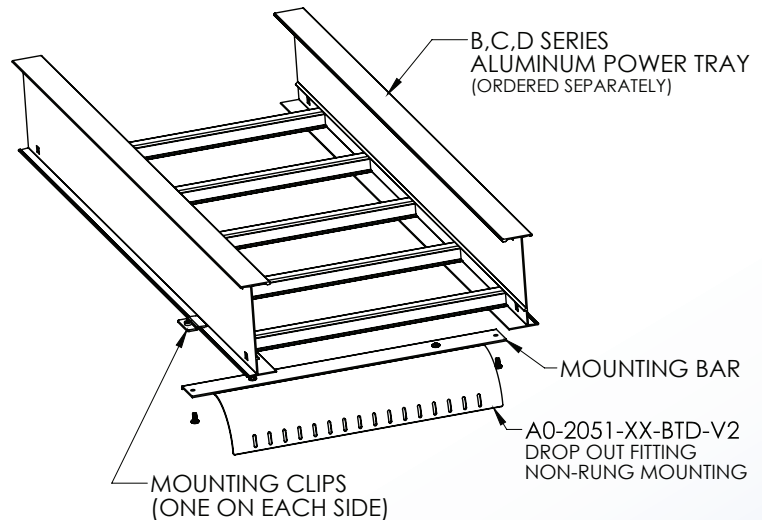
Step 1: To install, position mounting bar with attached drop out centered in place below aluminum power tray.

Step 2: With mounting bar flush against bottom of tray, feed (2x) 1/4-20 pan head bolts upward thru clearance holes in mounting bar and into threads of pem nuts within mounting clips.

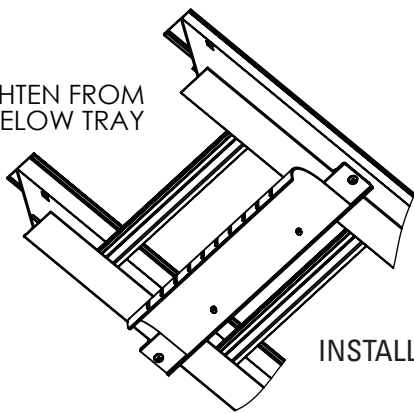
Step 3: Orient clamps in place such that they clamp against bottom outer side rail lip of tray (as shown). Tighten 1/4-20 pan head bolts allowing the clamps to pull against tray lip until snug.



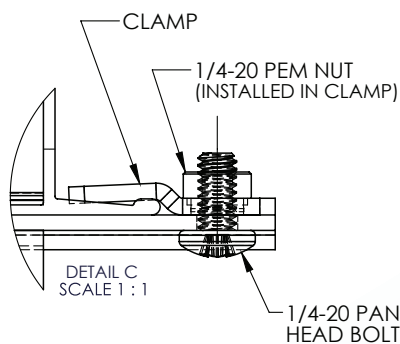
INSTALLATION STEP 1



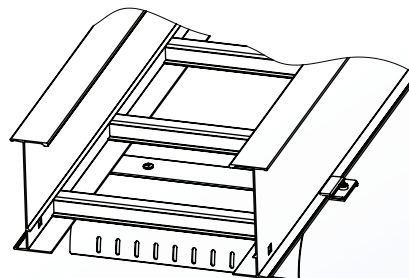
TIGHTEN FROM BELOW TRAY



INSTALLATION STEP 2



INSTALLATION STEP 3



4 International Drive
Rye Brook, NY 10573
Toll Free: 1 888.764.7681
Phone: 914.934.2075
Fax: 914.934.2190
MonoSystems.com

