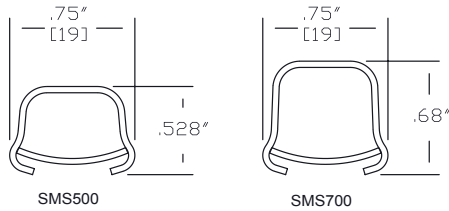


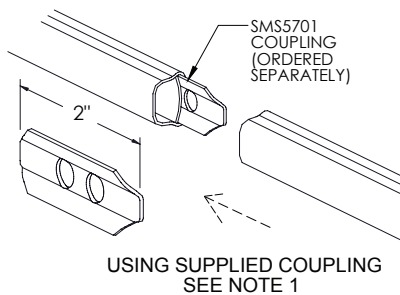
Surface Raceway / Steel INSTALLATION

CS-SMS5700 SnapMark™ Install

Manufactured by MonoSystems, Inc.

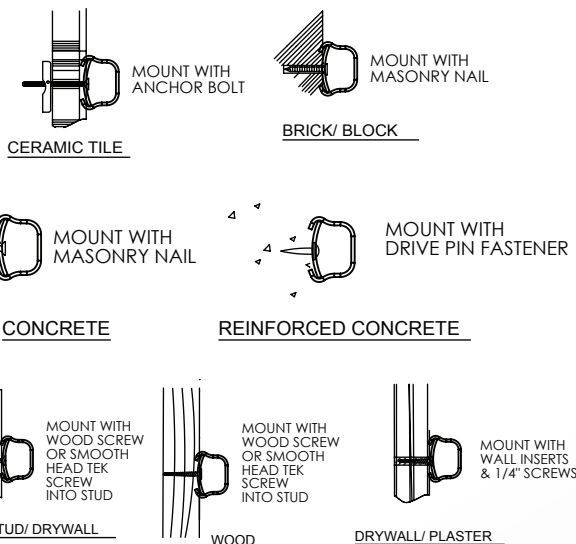


SMS500 & SMS700 SERIES
STEEL RACEWAYS
SECTION VIEW
MATERIAL: .04" GALV.
STANDARD IVORY FINISH
EACH ORDERED SEPARATELY



Construction:
Base material: 20GA galv. steel.
Cover material: 20GA galv. steel.

RACEWAY MOUNTING DEPICTED FOR REFERENCE ONLY



MOUNTING STRAPS WILL REQUIRE A SET OF HARDWARE MOUNTED ON THE SIDES OF THE RACEWAY
ENGINEER SHOULD EVALUATE EACH INSTALLATION BASED ON THE LOAD REQUIREMENTS AND EXISTING WALL STRUCTURE

INSTALLATION INSTRUCTIONS

Raceway field support and frequency depends on the weight and construction (splice locations, elbow fittings, etc.) of the raceway being mounted. MonoSystems recommends using mounting clips, mountings straps, or a combination of both for mounting the SMS5700 series raceway.

Per UL5 surface raceway standard, sec. 4.6A: raceway must be secured at intervals of not more than 4Ft [1.2M] apart. Sec. 4.7: Where the base is intended to be secured to the mounting surface by screws or bolts extending from the inside, the arrangement shall not result in damage to the conductors.

When using a box, position device or utility box at end of base and attach using SMS5701 couplings. Slide in allowing tension to hold in place.

For all methods, wire and install all raceway per NEC. And local codes.

Views for reference - do not scale.

Assembly Instructions:

There are several ways to mount and assemble this product.

Using supplied coupling:

1.) Keep base and cover together. Mount the provided SMS5701 coupling to a solid member using (2) flat head fasteners (by others). Slide the base and cover assembly over the SMS5701. Coupling is typically centered between adjoining base or fitting sections. Be sure to beurr of file all sharp edges of the raceway to prevent damage during the wire pull. Wire can then be pulled or snaked down the run. Note: (1) SMS5701 coupling is supplied per raceway sections. Additional couplings ordered separately.

Using SMS503/SMS703 mounting clips (ordered separately):

2.) Keep base and cover together. Mount SMS503/703 mounting clip/s to a solid member using (1) flat head wood screws each (by others). Snap the base and cover assembly over the into the SMS503/SMS703 mounting clip. Be sure to beurr of file all sharp edges of the raceway to prevent damage during the wire pull. Wire can then be pulled or snaked down the run.

Using SMS504/SMS704 mounting straps (ordered separately):

3.) Keep base and cover together. Mount the assembly to a solid member using SMS504/704 Mounting strap/s. Be sure to beurr of file all sharp edges of the raceway to prevent damage during the wire pull. Wire can then be pulled or snaked down the run.

Field drilling (most difficult method):

4.) Slide the unpainted base out from the side of the cover. Field drill and mount to a solid member using a smooth head fastener. Fasteners should be at least 3" from the end to prevent interfering when attaching to a device box tab or coupling. Slide the cover back over the base (from the side). Be sure to beurr of file all sharp edges of the raceway to prevent damage during the wire pull. Wire can then be pulled or snaked down the run. Completely read Installation instructions above.

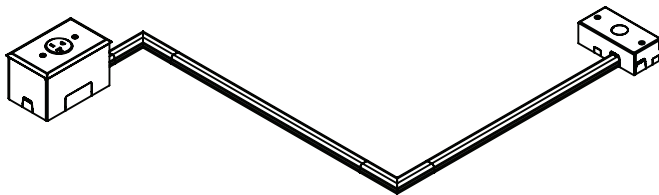
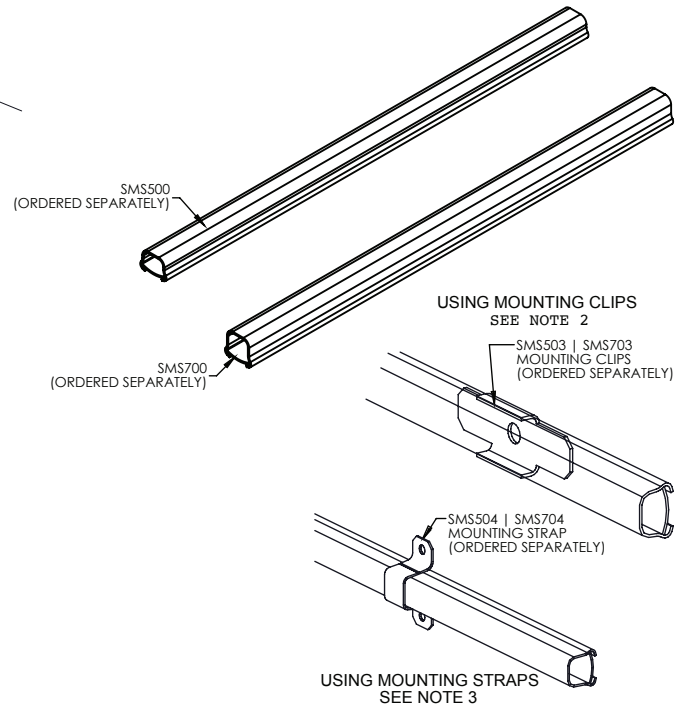
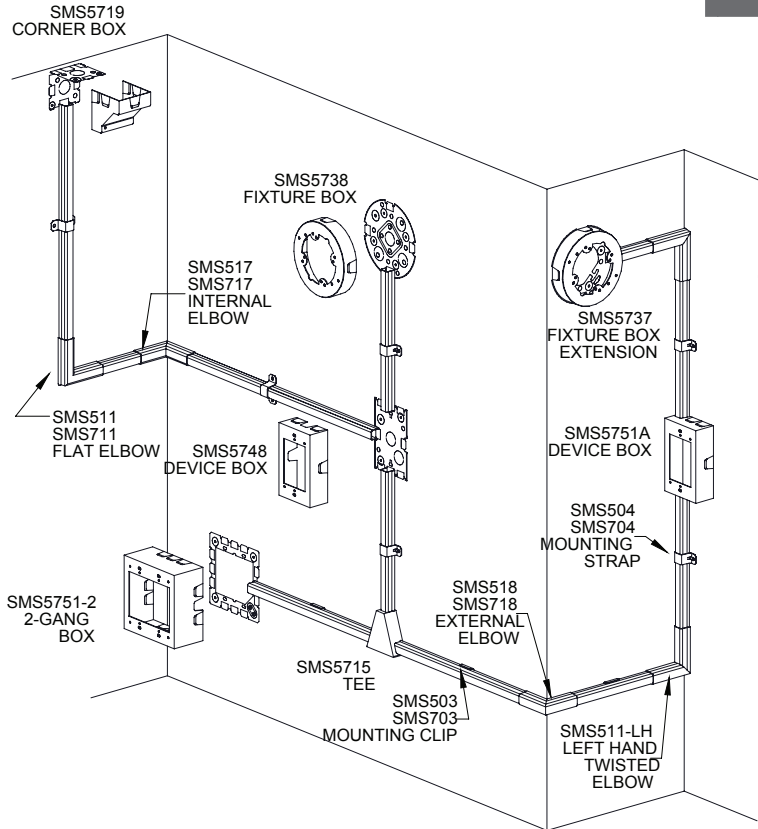
4 International Drive
Rye Brook, NY 10573
Toll Free: 1 888.764.7681
Phone: 914.934.2075
Fax: 914.934.2190
MonoSystems.com



Surface Raceway / Steel INSTALLATION

CS-SMS5700
SnapMark™ Install
Manufactured by MonoSystems, Inc.

INSTALLATION INSTRUCTIONS



DATA/COMM. WIRE FILL CAPACITIES					
CABLE TYPE	CATEGORY/DESIGNATION	20% FILL		40% FILL	
		SMS500	SMS700	SMS500	SMS700
UNSHIELDED TWISTED PAIR	4-PAIR, 24 AWG Cat 5 UTP	1	1	2	3
	4-PAIR, 24 AWG Cat 3 UTP	1	1	3	4
TELEPHONE	2-PAIR, 24 AWG	2	3	5	6
	3-PAIR, 24 AWG	2	3	4	5
	4-PAIR, 24 AWG	1	1	3	3
COAXIAL	RG58/U	1	1	2	3
	RG59/U	1	1	1	2
	RG62/U	1	1	1	2
	RG6/U	0	0	1	1
TWINAXIAL	100 Ohm	0	0	1	1
SHIELDED TWISTED PAIR	TYPE 1	0	0	0	1
	TYPE 3	1	1	1	2

AVAILABLE IN 10' OR 5' LENGTHS STANDARD

4 International Drive
Rye Brook, NY 10573
Toll Free: 1 888.764.7681
Phone: 914.934.2075
Fax: 914.934.2190
MonoSystems.com

