

6-32 SCREW
 END CAP (SPS2274)

SnaPole(TM)

SPS / SPA 22 SERIES

SnaPole(TM) Assembly Instructions

1. Determine approximate mounting location and height of pole. SnaPole should be mounted on a flat level surface.

2. Attach the floor plate to the pole base using supplied 6-32 screws. For poles mounted on carpeted surface, ensure that the floor plate is positioned with the teeth facing downward. For flat, smooth surfaces, the teeth of the floor plate should face upward, and the fastener pad to be affixed to the bottom.

3. Position the pole in the intended mounting position and erect. Temporarily secure pole in place from structure above to allow for final component installation. Affix pole to floor using fastener pad. For carpeted surfaces fastener pad is not required.

4. Adjust mounting, using a level, to achieve a square and perpendicular installation. Check all sides of pole to make sure it is not leaning in any direction.

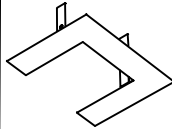
5. For installations above suspended ceiling grids, remove ceiling tiles at installation site. Secure pole to existing suspended ceiling T-bar grid using hanger clamp and supplied 8-32 thumb screws, then affix to 3/8" threaded rod from structural ceiling (by others). For installations without suspended ceiling grids, simply attach hanger clamp to 3/8" threaded rod from structural ceiling (by others) and secure to pole using supplied 8-32 thumb screws.

6. Pull wiring through end cap and attach end cap using supplied 6-32 screws. When a blank end cap is utilized (SPX2276), field drill a 7/8" dia. hole over center of power cavity for proper wire exit. Field install wires into flexible conduit and junction box (supplied by others) and terminate wires as required per local codes. When poles are field wired, installer shall furnish and install a separate equipment ground conductor and terminate per local codes.

7. Cut ceiling tile to accommodate power pole penetration, and replace. Install trim plates and boot assembly to give installation complete and finished appearance.

CEILING TRIM PLATE (SPS2270)
 (2 PIECES)

HANGER CLAMP (SPS2272)



SPX22 POWER POLE BODY (TYP)
 .04" THK GALV. IVORY FINISH

18" 2 DUPLEX COVER (SPS2242)

WIRING ASSEMBLY

COMM. COVER (SPS2240)

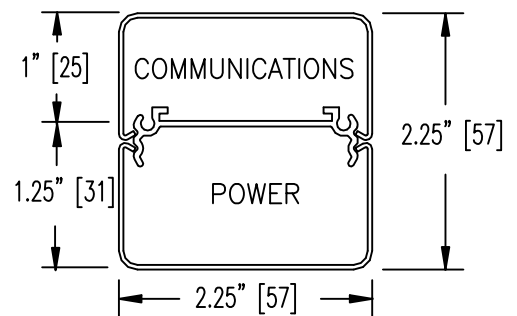
FLOOR PLATE (SPS2220)
 INVERT FOR FLAT FLOOR SURFACES

FASTENER PAD (SPS2222)
 TO BE INSTALLED FOR FLAT FLOOR SURFACES

POWER POLE CENTER EXTRUSION .06" ALUM.

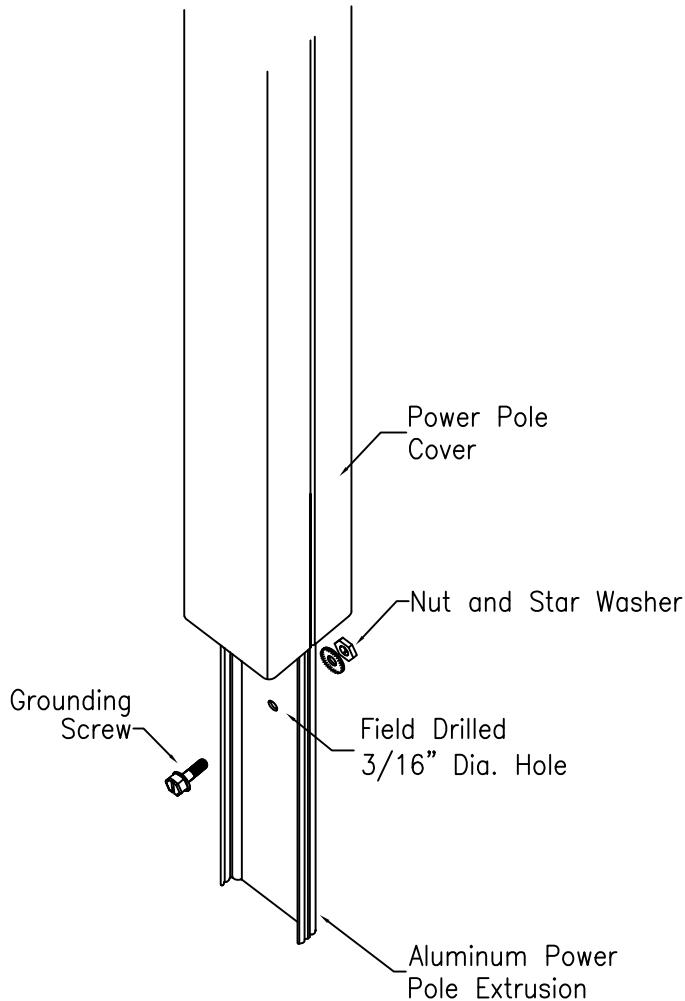
BOOT ASSEMBLY (SPS2224)

6-32 SCREW



SnaPole(TM) SPX22 SECTION

Ground all multi-outlet assy. and multi-outlet assy. components per NEC and all local codes. When connecting to other wiring systems install and connect separate ground conductor as required to ensure proper grounding between systems. Where required, drill and tap holes or attach additional grounding hardware to accommodate #10-24 green grounding screw, or utilize self-tapping screws (minimum #10). Ensure that all hardware, ground screws, and ground conductors are installed such that hardware is free and clear of all conductors and devices, and a proper ground is maintained.



DEVICE GROUNDING STUD
(AS REQUIRED)