

Surface Raceway / Steel INSTALLATION

SMS2100 Series SnapMark™ Install

Manufactured in the USA by MonoSystems, Inc.



INSTALLATION INSTRUCTIONS:

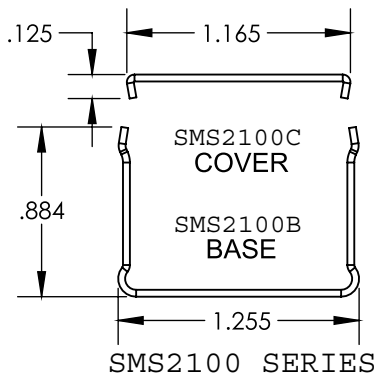
Raceway field support and frequency depends on the weight and construction (splice locations, elbow fittings, etc.) of the raceway being mounted. MonoSystems recommends using the provided 9/32" Knockouts & holes to install 1/4" mounting hardware not more than 18" apart. If wall construction prohibits the installer from using the pre-existing knockout locations for mounting, installer may drill new holes in desired mounting locations.

Per UL5 surface raceway standard, sec. 4.6A: raceway must be secured at intervals of not more than 4Ft [1.2M] apart. Sec. 4.7: Where the base is intended to be secured to the mounting surface by screws or bolts extending from the inside, the arrangement shall not result in damage to the conductors.

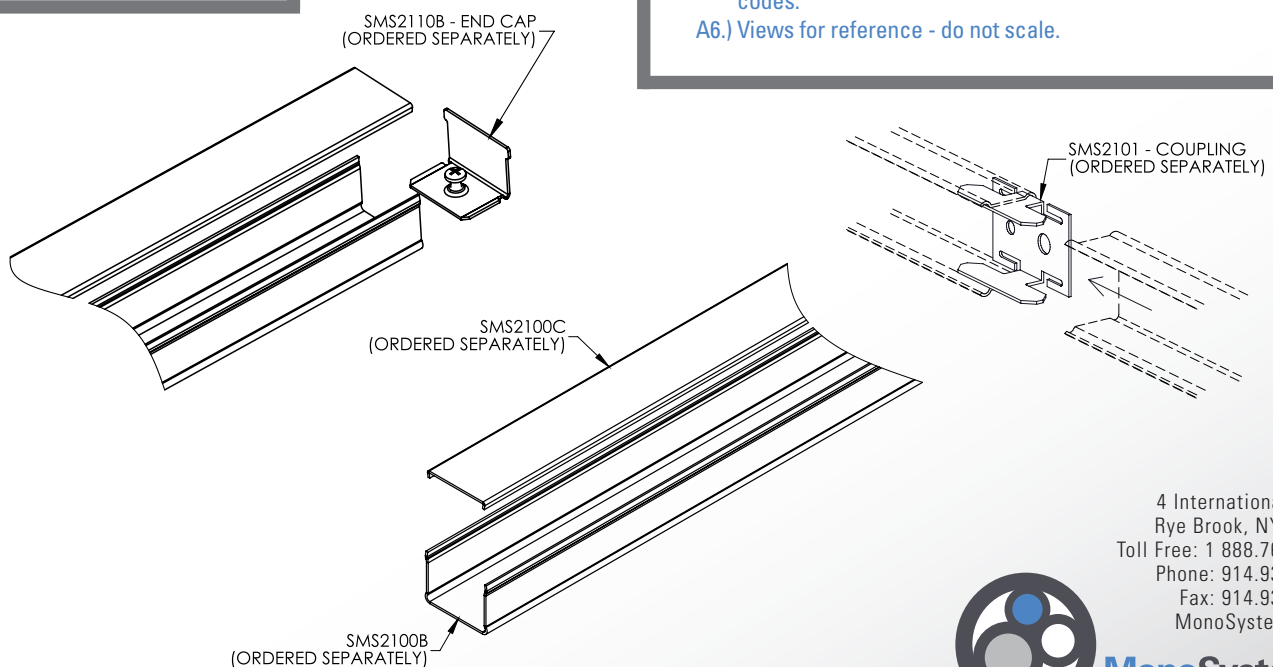
Assembly Instructions:

- A1.) Once raceway base has been mounted, firmly press cover into place ensuring that both sides are completely snapped into base section.
- A2.) To remove cover: gently pry upward on base and cover Seam with a non-abrasive tool such as a plastic putty knife.
- A3.) Position coupling centered between adjoining base or fitting sections. Slide in allowing tension to hold in place. Add optional securement hardware (by others) if desired.
- A4.) Position end cap at end of base and slide in allowing tension to hold in place.
- A5.) Installer may drill holes in back of raceway or connect desired device box and run conduit for feed. Wire per nec. And local codes.
- A6.) Views for reference - do not scale.

STEEL RACEWAY - SECTION VIEW
PAINTED FINISH
(EACH ORDERED SEPARATELY)



UL LISTED



4 International Drive
Rye Brook, NY 10573
Toll Free: 1 888.764.7681
Phone: 914.934.2075
Fax: 914.934.2190
MonoSystems.com

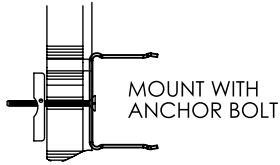


MonoSystems™
wire management. managed.

Surface Raceway / Steel INSTALLATION

SMS2100 Series SnapMark™ Install

Manufactured in the USA by MonoSystems, Inc.



CERAMIC TILE



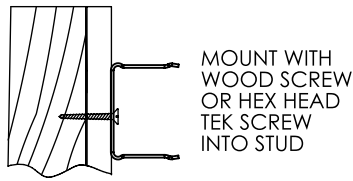
BRICK/ BLOCK



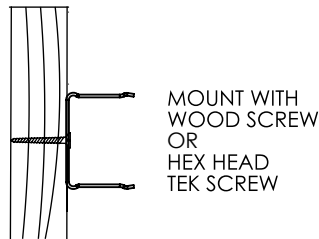
CONCRETE



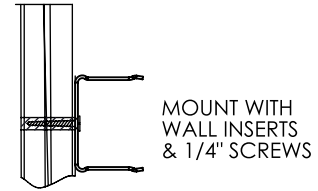
REINFORCED CONCRETE



WOOD STUD/ DRYWALL

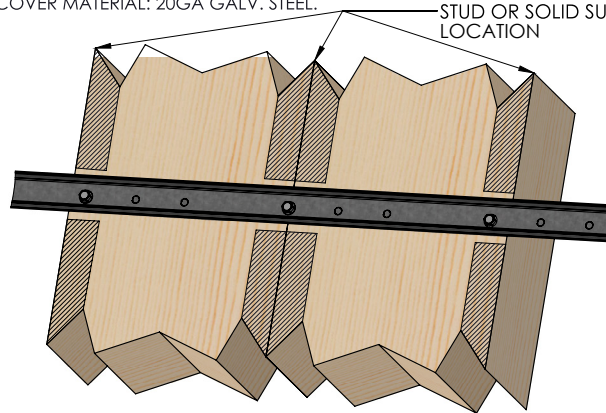


WOOD

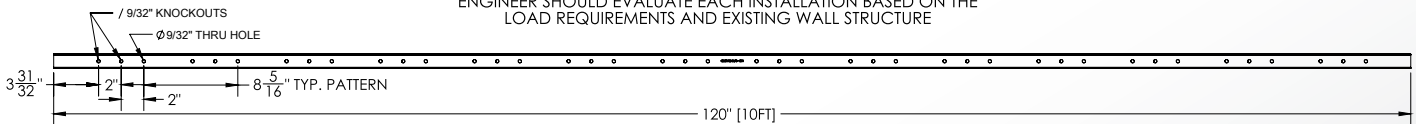


DRYWALL/ PLASTER

CONSTRUCTION:
BASE MATERIAL: 20GA GALV. STEEL.
COVER MATERIAL: 20GA GALV. STEEL.



RACEWAY MOUNTING DEPICTED FOR REFERENCE ONLY
ENGINEER SHOULD EVALUATE EACH INSTALLATION BASED ON THE
LOAD REQUIREMENTS AND EXISTING WALL STRUCTURE



4 International Drive
Rye Brook, NY 10573
Toll Free: 1 888.764.7681
Phone: 914.934.2075
Fax: 914.934.2190
MonoSystems.com

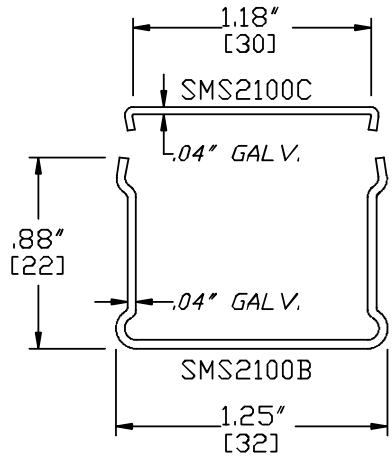


MonoSystems™
wire management. managed.

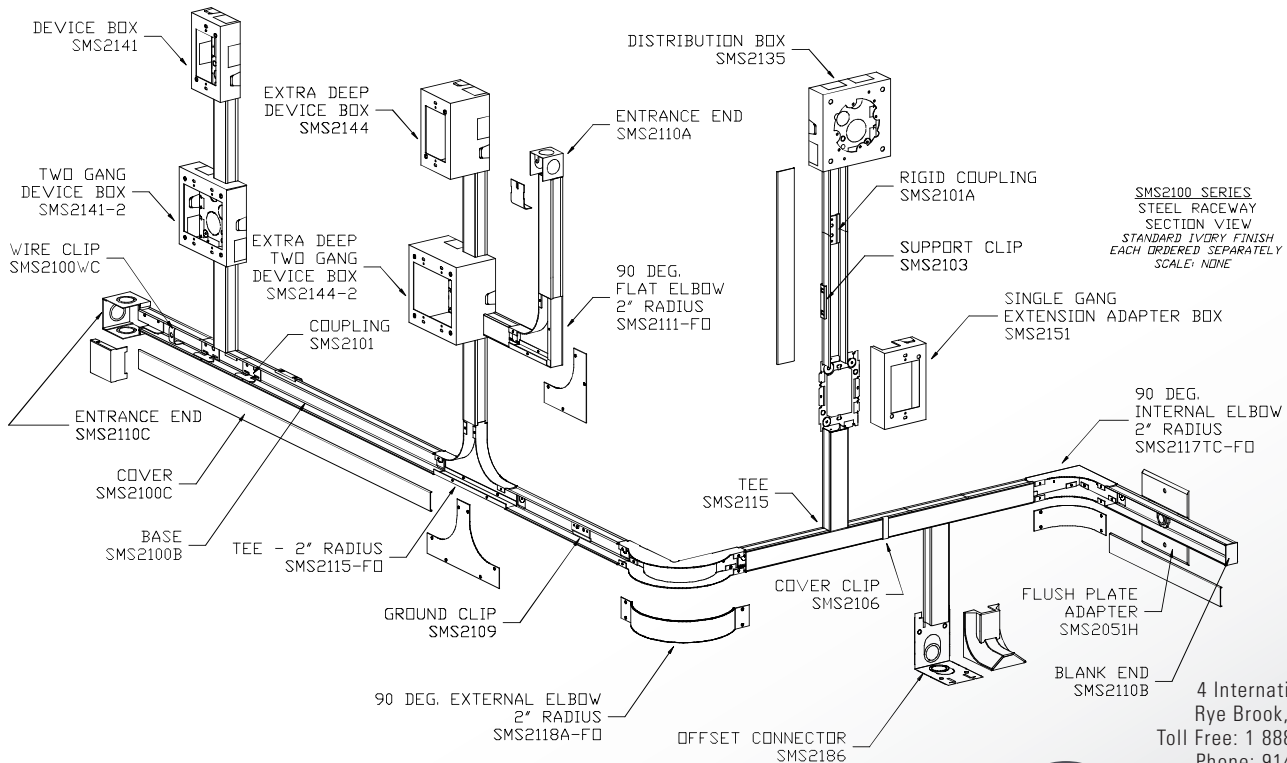
Surface Raceway / Steel INSTALLATION

SMS2100 Series SnapMark™ Install

Manufactured in the USA by MonoSystems, Inc.



REFERENCE INSTALLATION



SMS2100 SERIES
STEEL RACEWAY
SECTION VIEW
STANDARD IVORY FINISH
EACH ORDERED SEPARATELY
SCALE: NONE

4 International Drive
Rye Brook, NY 10573
Toll Free: 1 888.764.7681
Phone: 914.934.2075
Fax: 914.934.2190
MonoSystems.com



MonoSystems
wire management. managed.