

# Cable Tray / Center Spine CS-XXC-BRK

**MonoTray™ Accessories**  
Manufactured by MonoSystems, Inc.

## DUAL-RAIL BRACKET SERIES

### Notes:

- 1.) Attach to dual rail using tek screws. All mounting hole countersunk to allow screws to sit flush.
- 2.) CC-BRK, CC-BRK-C and FOC-BRK-WAP attach to bottom of rail, FOC-BRK- DB and FOC-BRK-C attach to top or side of rail.
- 3.) Allows for the attachment of different devices depending on the bracket.
- 4.) Grommets available for all knockouts.
- 5.) Views for reference - do not scale.

### ORDERING DATA EXAMPLE:

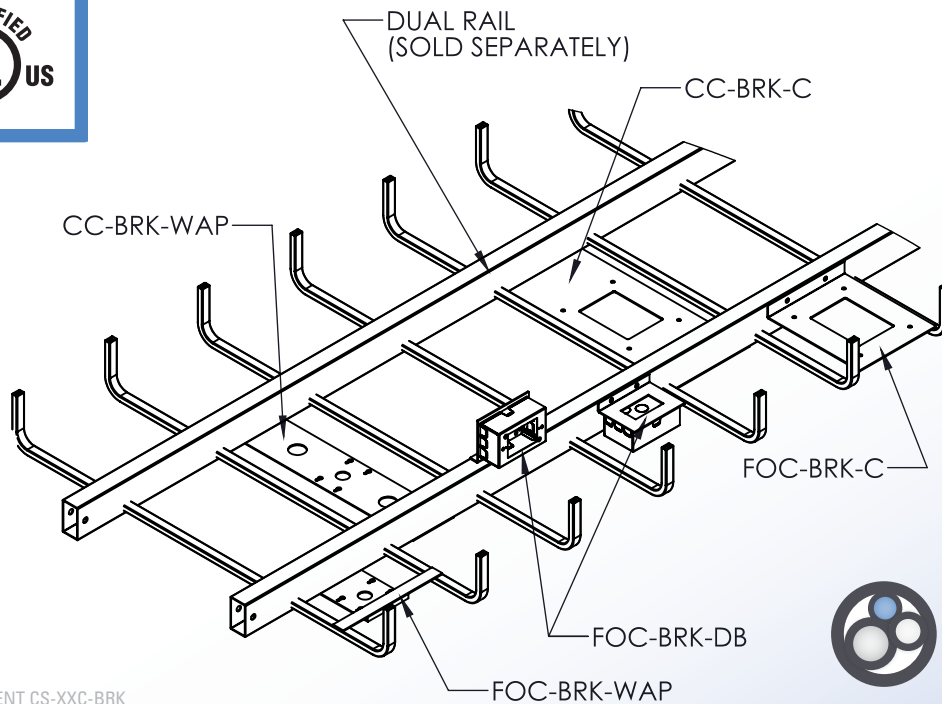
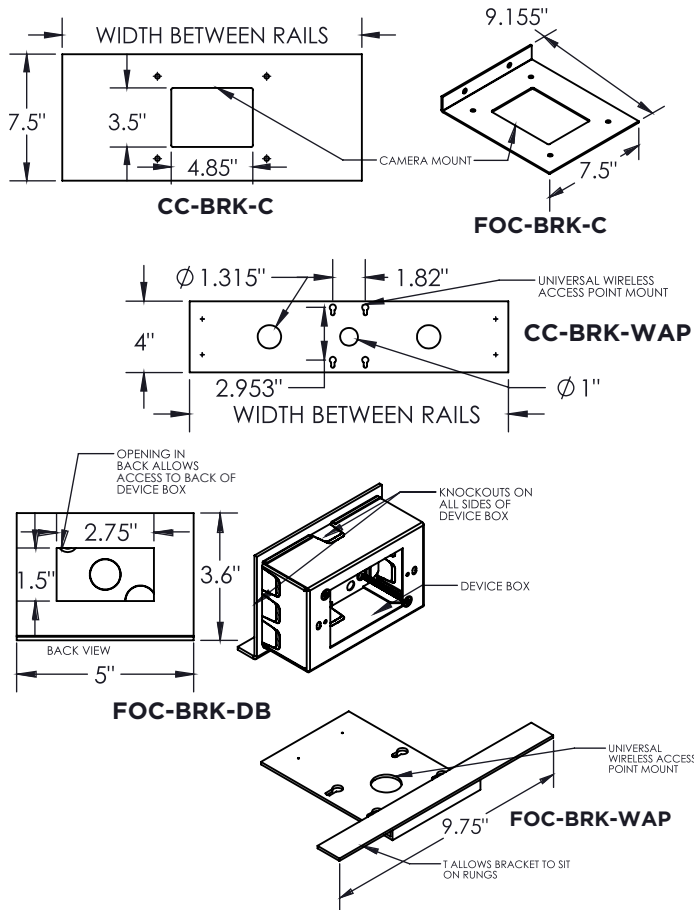
**XX C-CRK-XXX**

BRACKET STYLE

C = CENTER COMPARTMENT  
FO = FLAT OUTER COMPARTMENT

FOR FOC STYLE

WAP = WIRELESS ACCESS POINT MOUNT  
DB = DEVICE BOX MOUNT  
C = CAMERA MOUNT  
FOR CC STYLE  
C = CAMERA MOUNT



4 International Drive  
Rye Brook, NY 10573  
Toll Free: 1 888.764.7681  
Phone: 914.934.2075  
Fax: 914.934.2190  
MonoSystems.com

