

J-Hook / Steel H-233-S

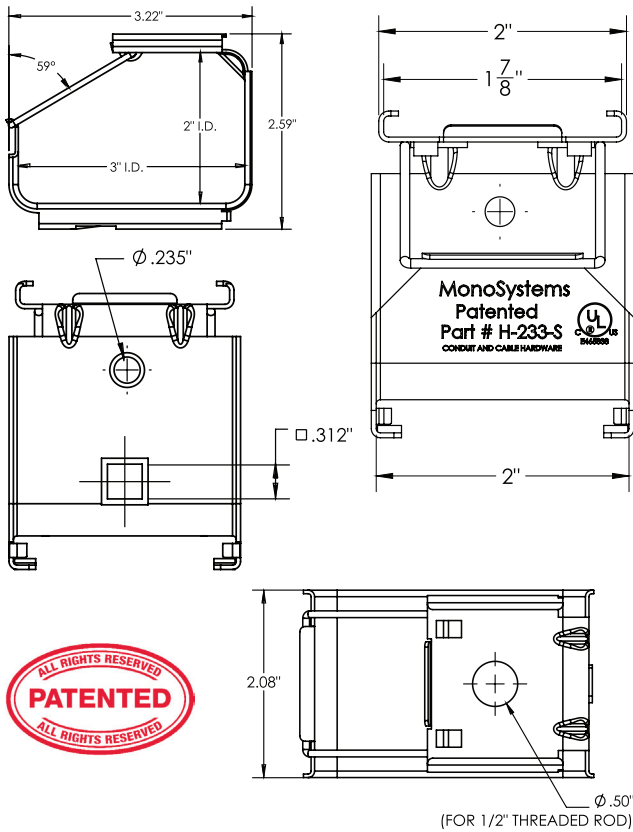
The Hook™

Manufactured by MonoSystems, Inc.

H-233-S / BASE

Notes:

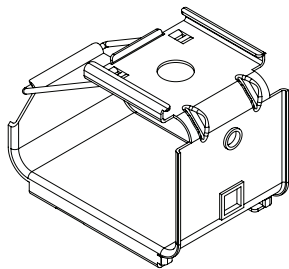
- 1.) May be linked top to bottom infinitely. Directly compatible and linkable with other H-233-S hooks and/or larger H-433-S hooks.
- 2.) Integrated wire retainer clip provides protection & security.
- 3.) Optimal support for high performance cable, up to and including CAT5e, CAT6, CAT 6A, CAT7 and fiber optic. Radiused edges prevent damage to contents.
- 4.) May be secured to walls, beams, threaded rod, trusses, cable trays, rack systems and other systems.
- 5.) A single H-233-S has a static load of 60 lbs. When adding additional hooks without additional points of support, the load for each hook should be divided by the number of hooks on the total tiering. For example (4) H-233-S hooks would have a max. load of 15 lbs each.
- 6.) UL listed and compliant with UL2043 and suitable for use in air handling (plenum) spaces.
- 7.) Tested in accordance with DIN 4102-12, UL2239, and CSA C22.2 No. 18.4
- 8.) Complies with EN 50174-2.
- 9.) Complies with ANSI/TIA-569-D.
- 10.) Meets ISO/IEC 14763-2, ANSI/TIA568 and ANSI/TIA 569.
- 11.) Unit weight: 0.2 lbs/ea. cross sectional area = 5.259 in 2.



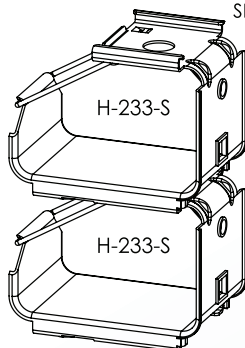
UL LISTED
FILE: E465838

PART NUMBER	MATERIAL
H-233-S	GALVANIZED STEEL

H-233 APPROX. WIRE CAPACITY		
CABLE TYPE	CABLE/WIRE SIZE	FILL
CAT 5e	0.210 (5.3)	75
CAT 6	0.250 (6.3)	50
CAT 6A	0.300 (7.6)	30
CAT 7	0.315 (8)	21

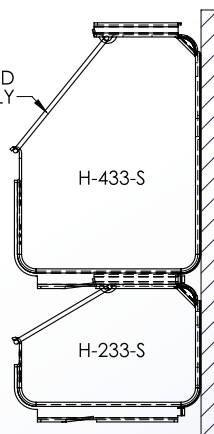


FOR MORE INFORMATION
ON THE HOOK, CONTACT
QUOTES@MONOSYSTEMS.COM

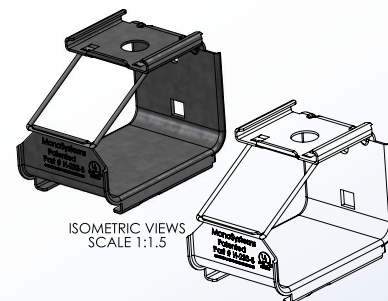


LINKED VIEW
SCALE 1:2

ORDERED
SEPARATELY



LINKED WALL MOUNT VIEW
SCALE 1:2



ISOMETRIC VIEWS
SCALE 1:1.5

4 International Drive
Rye Brook, NY 10573
Toll Free: 1 888.764.7681
Phone: 914.934.2075
Fax: 914.934.2190
MonoSystems.com



J-Hook / Steel H-433-S

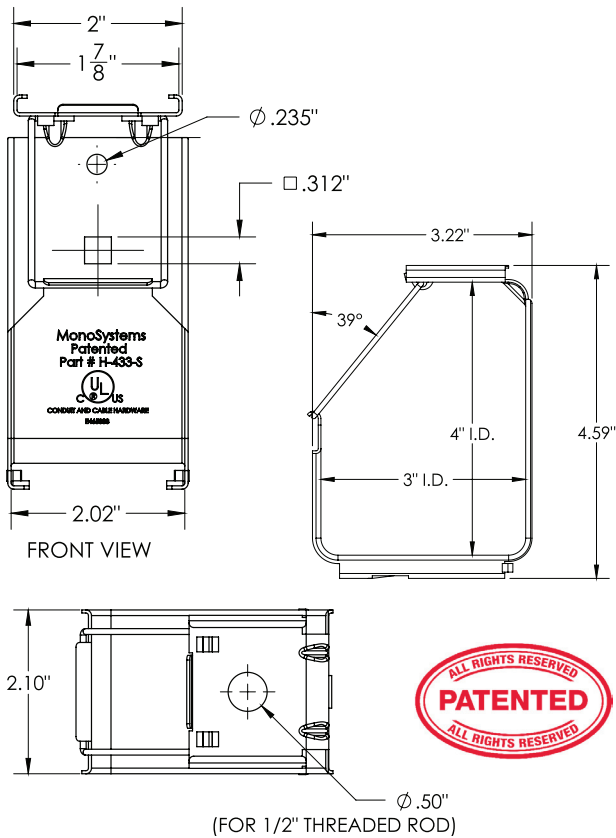
The Hook™

Manufactured by MonoSystems, Inc.

H-433-S

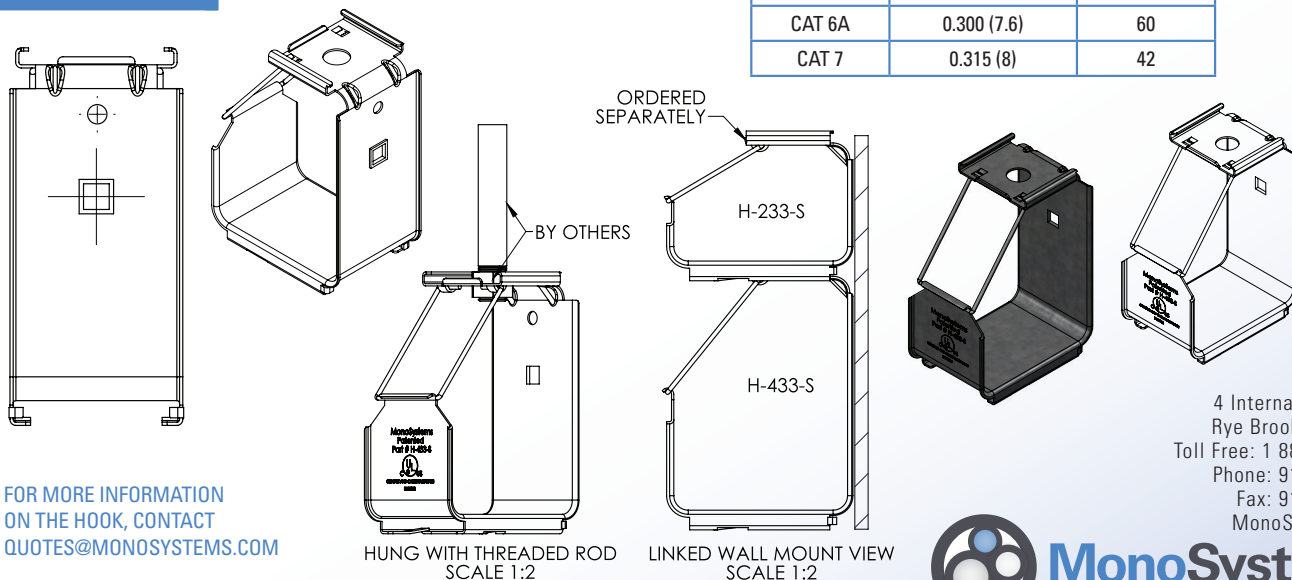
Notes:

- 1.) May be linked top to bottom infinitely. Directly compatible and linkable with other H-433-S hooks and/or smaller H-233-S hooks.
- 2.) Integrated wire retainer clip provides protection & security.
- 3.) Optimal support for high performance cable, up to and including CAT5e, CAT6, CAT 6A, CAT 7 and fiber optic. Radiused edges prevent damage to contents.
- 4.) May be secured to walls, beams, threaded rod, trusses, cable trays, rack systems and other systems.
- 5.) A single H-433-S has a static load of 75 lbs. When adding additional hooks without additional points of support, the load for each hook should be divided by the number of hooks on the total tiering. For example (4) H-433-S hooks would have a max. load of 18.75 lbs each.
- 6.) UL listed and compliant with UL2043 and suitable for use in air handling (plenum) spaces.
- 7.) Tested in accordance with DIN 4102-12, UL2239, and CSA C22.2 No. 18.4.
- 8.) Complies with EN 50174-2.
- 9.) Complies with ANSI/TIA-569-D.
- 10.) Meets ISO/IEC 14763-2, ANSI/TIA568 and ANSI/TIA 569.
- 11.) Unit weight: 0.3 lbs/ea. cross sectional area = 10.553 in 2.



PART NUMBER	MATERIAL
H-433-S	GALVANIZED STEEL
H-433-SS	STAINLESS STEEL

H-433 (THE HOOK) CAPACITY		
CABLE TYPE	CABLE/WIRE SIZE	FILL
CAT 5e	0.210 (5.3)	150
CAT 6	0.250 (6.3)	100
CAT 6A	0.300 (7.6)	60
CAT 7	0.315 (8)	42



FOR MORE INFORMATION
ON THE HOOK, CONTACT
QUOTES@MONOSYSTEMS.COM

4 International Drive
Rye Brook, NY 10573
Toll Free: 1 888.764.7681
Phone: 914.934.2075
Fax: 914.934.2190
MonoSystems.com

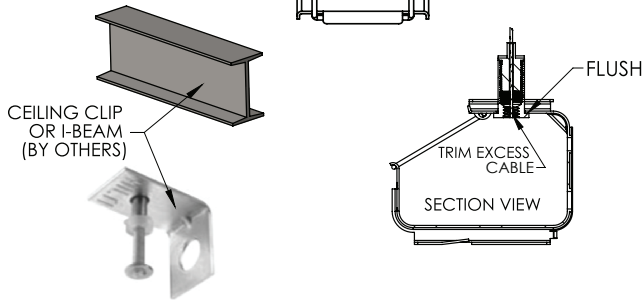
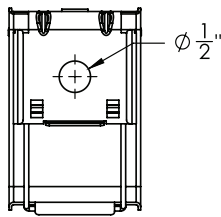
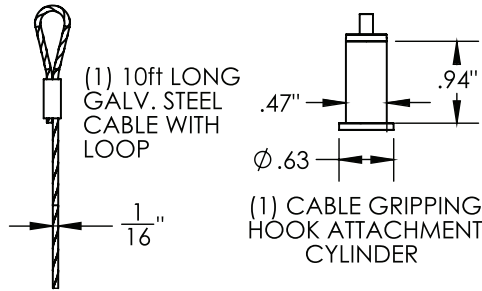


J-Hook / Steel H-GRP-10K

The Hook™ Accessories
Manufactured by MonoSystems, Inc.

CABLE HANGER ATTACHMENT FOR THE HOOK

EACH H-GRP-10K KIT INCLUDES:



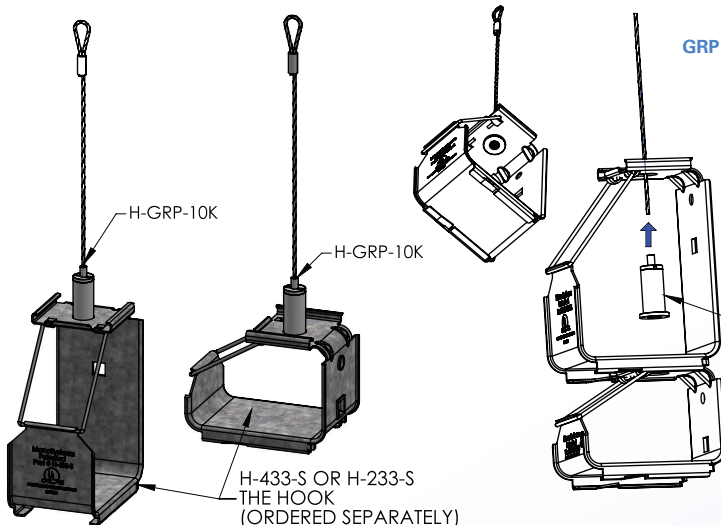
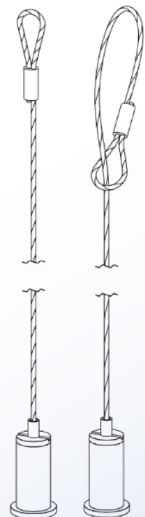
Notes:

- 1.) Ordered as each. Includes: 10'L Ø 1/16" steel galvanized cable with clamped upper loop and 2-piece threaded nickel plated brass cable gripping cylinder sleeve.
- 2.) Provides quick and easy attachment for mounting of H-433-S or H-233-S 'Hook' by installing above thru Ø 1/2" hole. Cable gripping hook attachment requires no special tools and is fully adjustable to quickly achieve the right suspension height.
- 3.) 50 pound working load limit, with a 5 to 1 safety factor.
- 4.) Views for reference - do not scale.
- 5.) To Install:
 - Securely attach steel cable loop to steel I-beam, structural hanger, bracket, ceiling clip or other mounting surface (by others).
 - Place cable gripping cylinder thru Ø 1/2" hole of hook and feed steel cable thru center of cylinder until you have reached the desired height. Avoid pulling the cable thru at an angle in excess of 5°.
 - Trim excess cable away (as needed).

ORDERING DATA EXAMPLE:

H-GRP-10K

GRP = GRIPLOCK STEEL CABLE LENGTH K = KIT
10 = 10ft



ALIGN WITH 1/2" HOLE OF HOOK AND FEED UPWARD UNTIL FLUSH WITH BOTTOM OF HOOK AND POSITIONED AT DESIRED ELEVATION

SEE NOTE 5

4 International Drive
Rye Brook, NY 10573
Toll Free: 1 888.764.7681
Phone: 914.934.2075
Fax: 914.934.2190
MonoSystems.com



J-Hook / Steel H-433-H

The Hook™

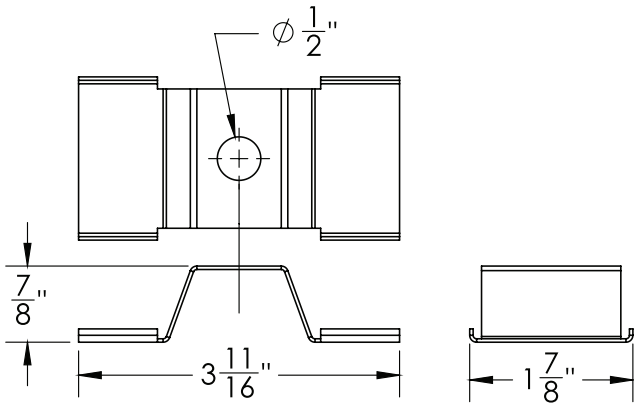
Manufactured in the USA by MonoSystems, Inc.



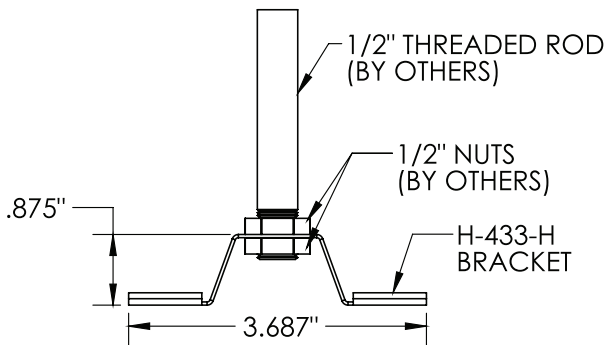
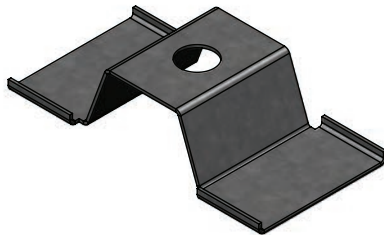
CENTER HANGER BRACKETS

Notes

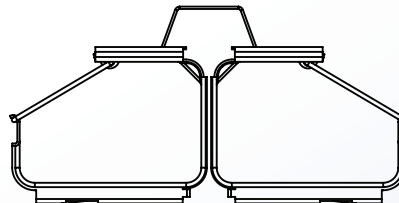
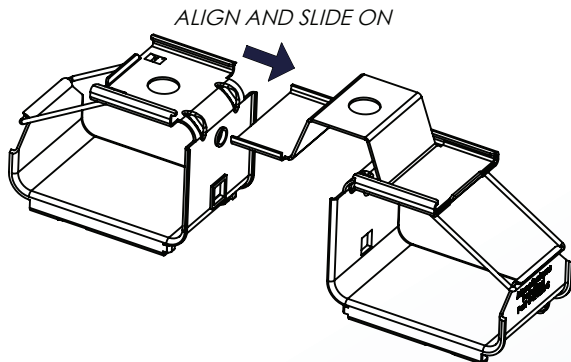
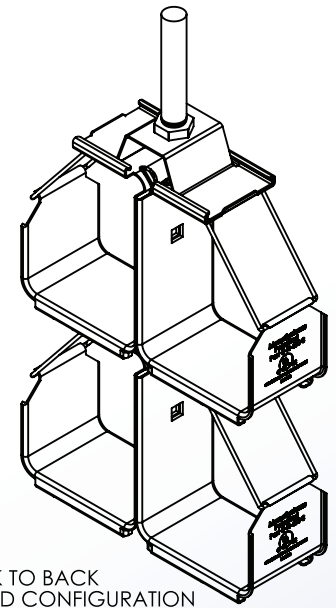
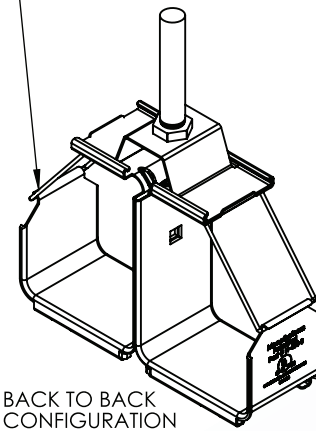
- 1.) Material: 20GA galvanized steel. For stainless steel use H-433-HSS part number.
- 2.) Secure from threaded rod or directly under a beam or other suitable mounting surface.
- 3.) Provides support for mounting of H-433-S and/or H-233-S 'Hook' in back to back configuration with no additional hardware required.
- 4.) Provides support for the 'Hook' for a number of different applications.
- 5.) Linkability remains fully viable in single or back to back configurations.
- 6.) Views for reference - do not scale.



UL LISTED
FILE: E465838



H-433-S OR H-233-S
(THE HOOK)
ORDERED SEPARATELY



4 International Drive
Rye Brook, NY 10573
Toll Free: 1 888.764.7681
Phone: 914.934.2075
Fax: 914.934.2190
MonoSystems.com



J-Hook / Steel

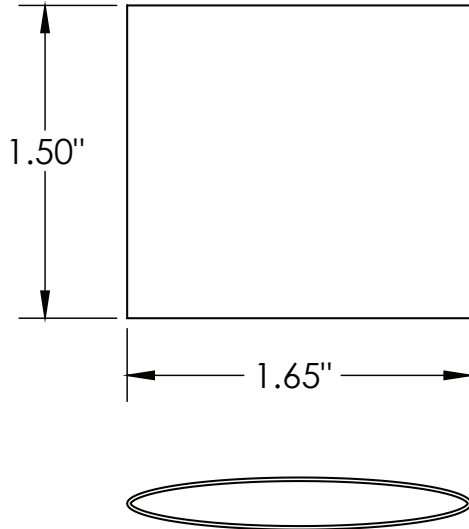
H-433 Series

The Hook™ Accessories

Manufactured in the USA by MonoSystems, Inc.



H-433-CB/Colored Band



Notes

- 1.) Color coated sleeves allow for content designation without the need for inventory colored hardware in various colors. For use with H-233 or H-433 style hooks.
- 2.) Color band material: polyethylene and olefin copolymers.
- 3.) To install, un-hook cage wire and align poly color band around wire. With index finger and thumb pull color band upward until it is completely centered on wire. Re-hook cage wire.
- 6.) Views for reference - do not scale.

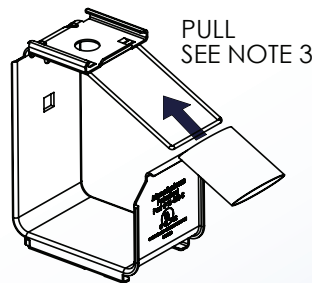
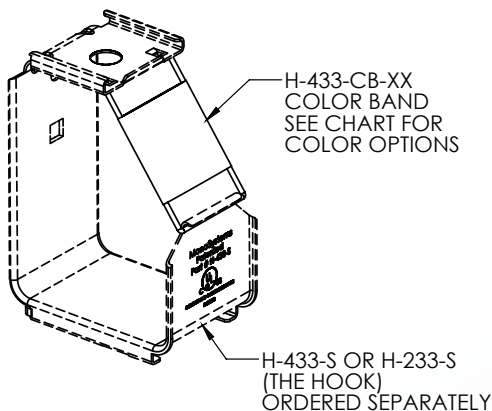
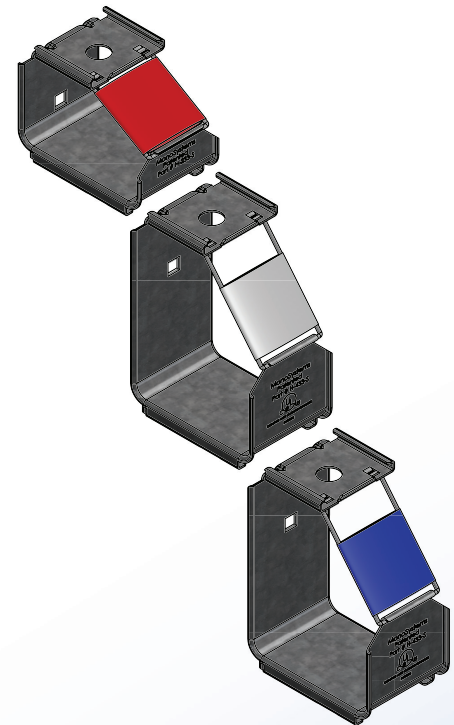


File: E122770

ORDERING DATA EXAMPLE:

H-433-CB-XX

WH = WHITE
RD = RED
GR = GREEN
YE = YELLOW
BL = BLUE



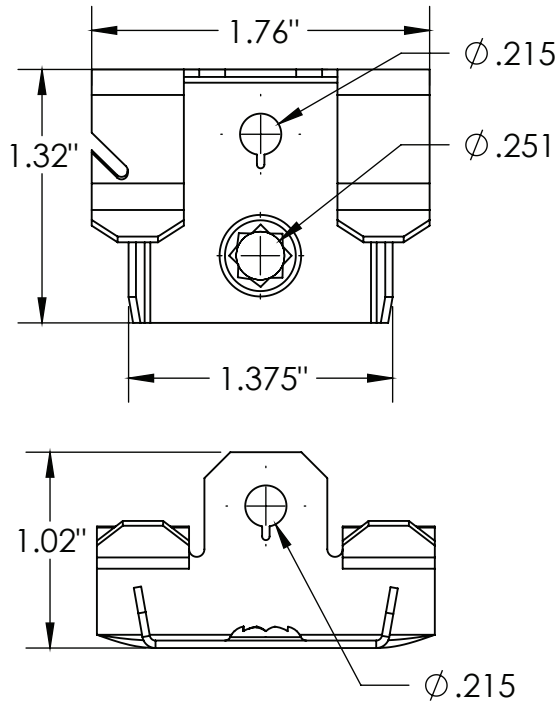
4 International Drive
Rye Brook, NY 10573
Toll Free: 1 888.764.7681
Phone: 914.934.2075
Fax: 914.934.2190
MonoSystems.com



J-Hook / Steel H-433-BC18

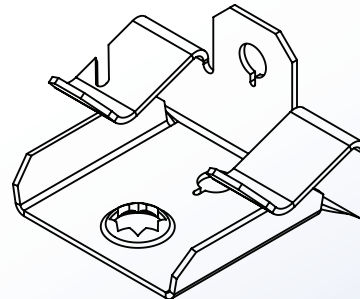
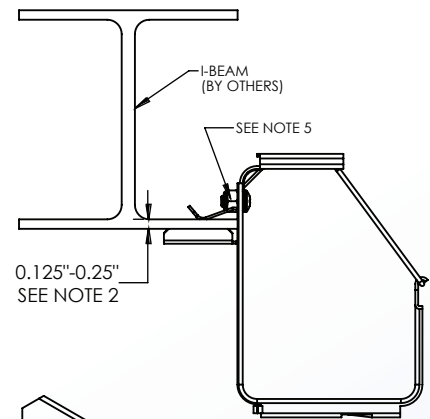
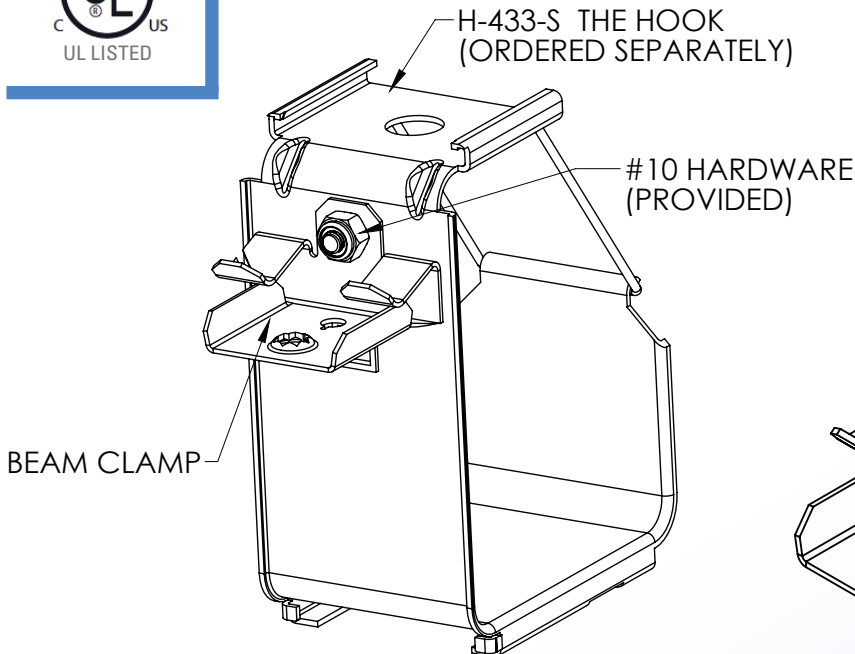
The Hook™ Accessories

HAMMER ON BEAM CLAMP FOR THE HOOK



Notes

- 1.) Material: 0.039" spring steel, black oxide finish.
- 2.) Fits 1/8" to 1/4" flange mount thickness. Static load capacity: 30lbs.
- 3.) Each H-433-BC18 ordered includes:
 - (1) Beam clamp
 - (1) #10 X 3/8" Phil.Pan. HD screw
 - (1) #10 Nylock nut
- 4.) Provides quick and easy attachment for mounting of H-433-S 'hook' by clamping to an I-beam flange or similar.
- 5.) To install, position beam clip such that the opening below the tongue slides completely onto the beam mounting flange (by others). Hammer on straight as required. Install H-433-H cable hook (ordered separately) to clamp, attaching provided hardware thru the upper back side hole of the hook as shown.
- 6.) Views for reference - do not scale.



4 International Drive
Rye Brook, NY 10573
Toll Free: 1 888.764.7681
Phone: 914.934.2075
Fax: 914.934.2190
MonoSystems.com



MonoSystems™
wire management. managed.

J-Hook / Steel H-433 Series

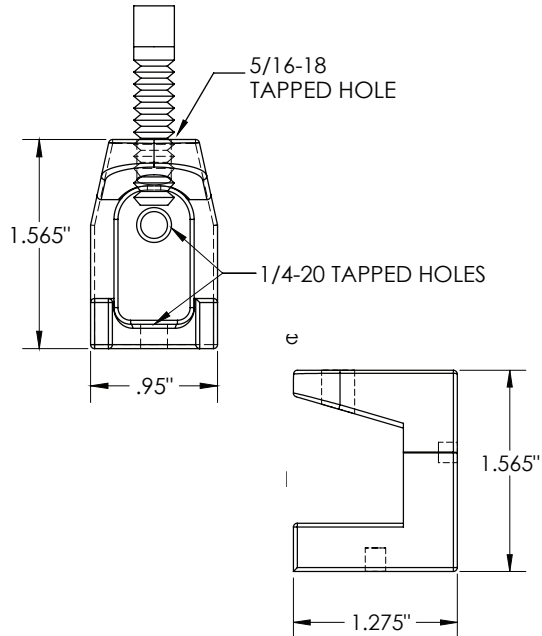
The Hook™ Accessories

Manufactured by MonoSystems, Inc.

H-433-BC/Beam Clamp

NOTES

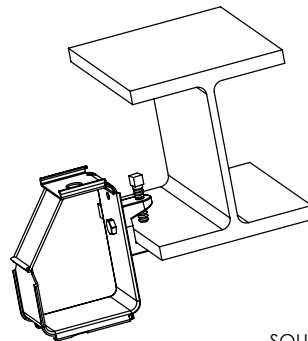
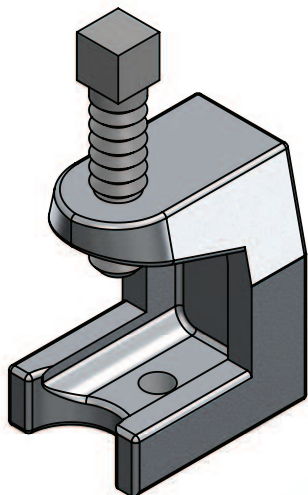
- 1.) Provides support for mounting of H-433-S 'hook' by clamping from above.
- 2.) Fits flanged up to 15/16" (0.937") thick.
- 3.) Static load limit: 450lbs
- 4.) Views for reference - do not scale.



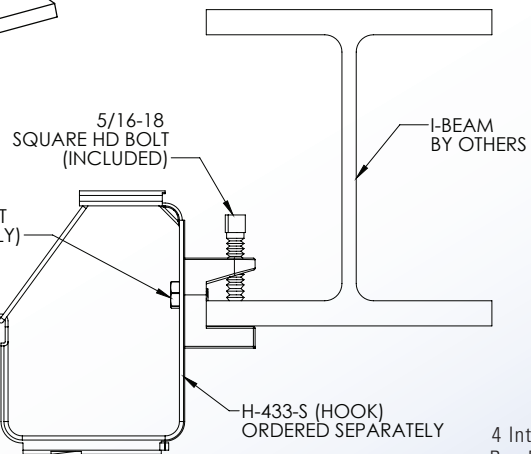
Material: Galvanized Malleable Iron
Finish: Electroplated



CSA Certified
095280 CLASS
4681-04



1/4-20 x 1/2" HEX BOLT
(ORDERED SEPARATELY)



4 International Drive
Rye Brook, NY 10573
Toll Free: 1 888.764.7681
Phone: 914.934.2075
Fax: 914.934.2190
MonoSystems.com



MonoSystems™
wire management. managed.™

J-Hook / Steel H-CSE-12

The Hook™ Accessories

Manufactured by MonoSystems, Inc.

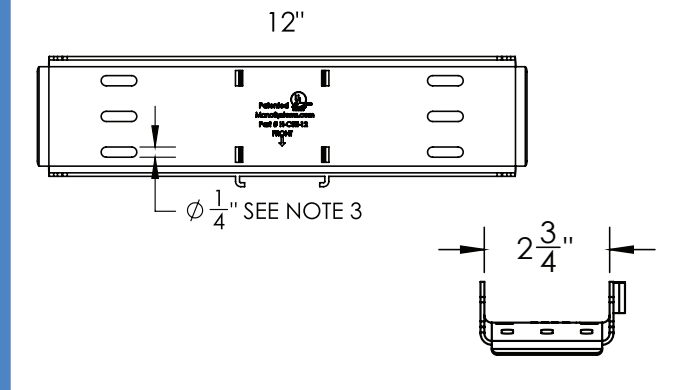
CABLE SUPPORT EXTENDER

Notes:

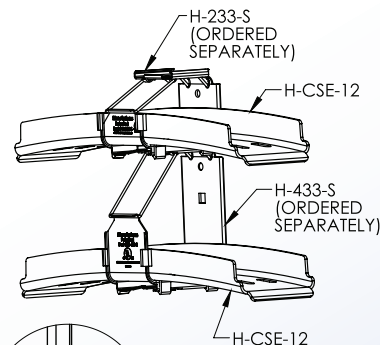
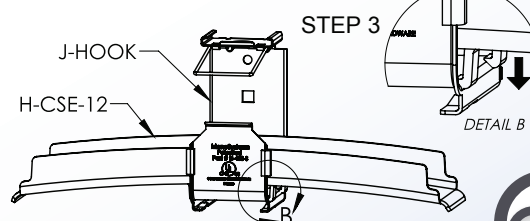
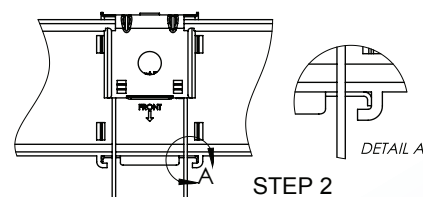
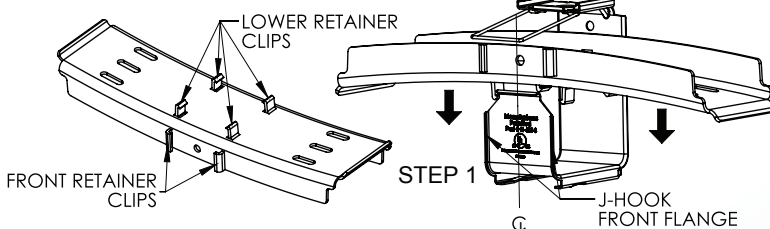
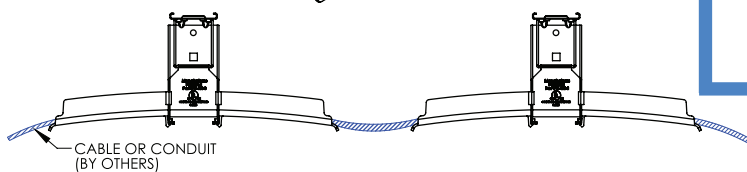
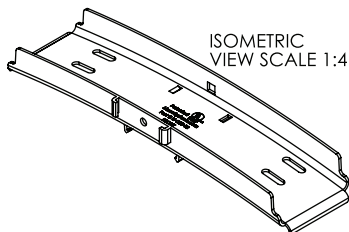
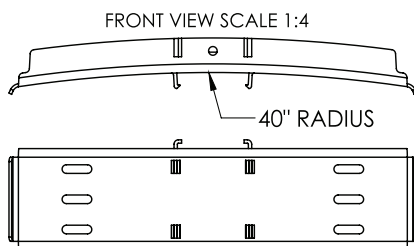
- 1.) Material: RTP 199 x 127145 F durable glass fiber polypropylene (low smoke density), listed to UL2043 and UL94 flame rated.
- 2.) Suitable for use in air handling spaces (plenums) in accordance with section 300.22 (C) and (D) of the NEC code and rules 12-010 (3), (4), (5), and 12-020 of the Canadian electrical code, part 1.
- 3.) Color: gray, unit weight: 0.2 Lbs.
- 4.) Use to extend cable or conduit carrying platform of H-233-S or H-433-*
- 5.) Suitable for use with fiber optic cabling.
- 6.) Smooth surfaces allow for pulling.
- 7.) H-CSE-12 does not interfere with linkability of J-hooks.
- 8.) Load rating of H-CSE-12 meets the static load rating of the mating hooks.
- 9.) Six (6) $\varnothing 1/4"$ slots for cable securement straps or ties (by others).
- 10.) Attaches to H-233-S or H-433-* J-hooks free of hardware or tools.
- 11.) Wire fill accommodations are reduced by 4.5% when using a H-CSE-12 cable support extender within a H-433 or H-233 Hook.
- 12.) Complies with ANSI/TIA-569-D.
- 13.) Tested in accordance with DIN 4102-12, UL 2239, and CSA C22.2 NO. 18.4.
- 14.) Views for reference - do not scale.

To Install:

- Step 1: Insert and center the H-CSE-12 in the J-hook cavity.
- Step 2: Align H-CSE-12 front retainer clips with front flange of the J-hook.
- Step 3: Slide H-CSE-12 straight downward into place until the lower retainer clips. Completely snap onto the bottom of the J-hook.



FILE: E465838



4 International Drive
Rye Brook, NY 10573
Toll Free: 1 888.764.7681
Phone: 914.934.2075
Fax: 914.934.2190
MonoSystems.com



J-Hook / Steel

H-433-BWX

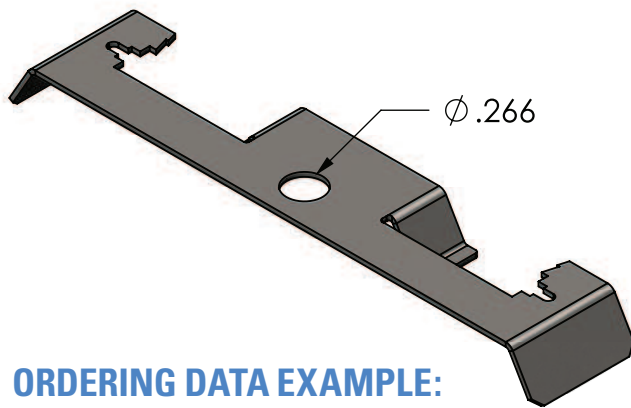
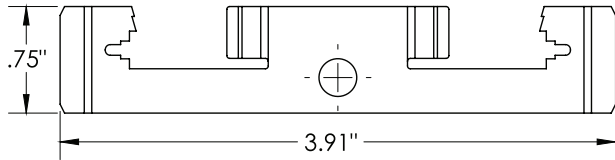
The Hook™ Accessories

Manufactured by MonoSystems, Inc.

BATWING CLIP FOR J-HOOK

Notes:

- 1.) Material: 0.046" Spring steel.
- 2.) Each H-433-BWX ordered includes:
 - (1) Attachment clip as specified
 - (1) 1/4-20 X 3/8" PHIL.PAN. HD screw
 - (1) 1/4-20 Low profile nylock nut
- 3.) Provides quick and easy attachment for mounting of H-433-S 'Hook' by clamping to a threaded rod from behind.
- 4.) To install, pull outer tabs outward and position hook and attachment clip assembly such that the teeth within the attachment clip capture within the threads of the rod (by others).
- 5.) Views for reference - do not scale.



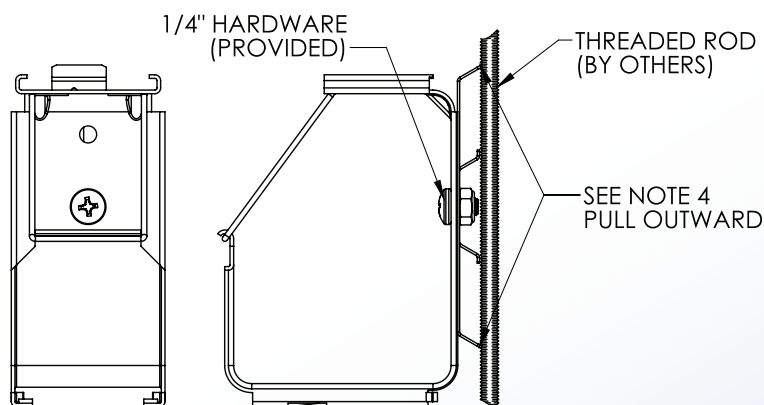
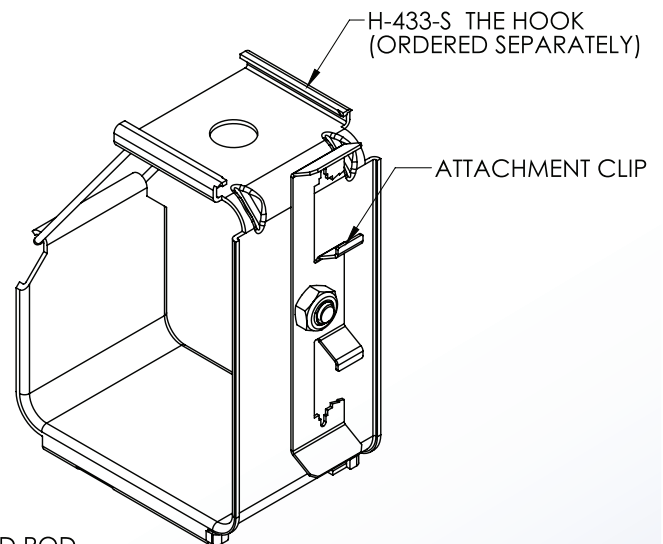
ORDERING DATA EXAMPLE:

H-433-BW X

ROD SIZE

2 = FOR #12 TO 1/4" ROD

6 = FOR 3/8" ROD



4 International Drive
Rye Brook, NY 10573
Toll Free: 1 888.764.7681
Phone: 914.934.2075
Fax: 914.934.2190
MonoSystems.com



MonoSystems™
wire management. managed.®

J-Hook / Steel H-BCH-18

The Hook™ Accessories
Manufactured by MonoSystems, Inc.

HAMMER ON BEAM CLAMP FOR THE HOOK

Notes:

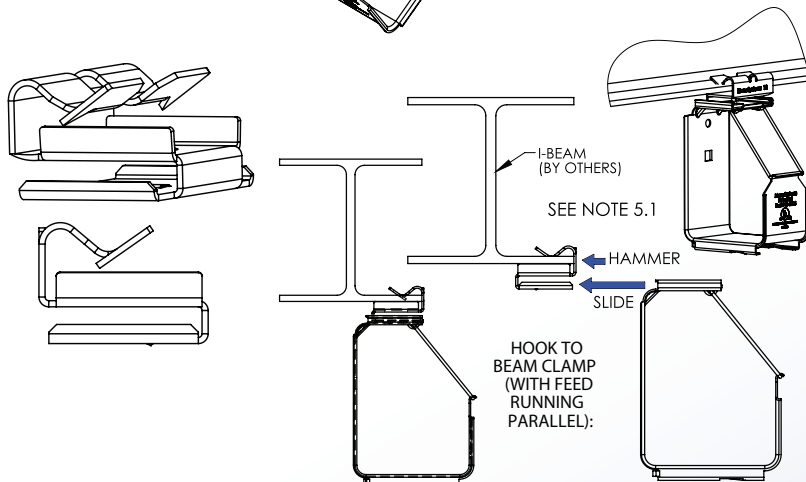
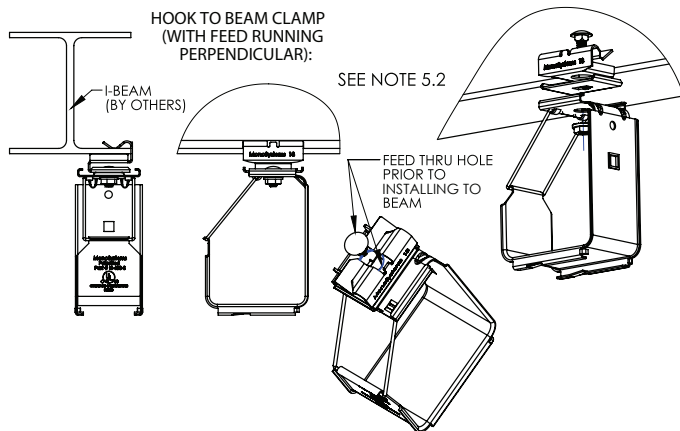
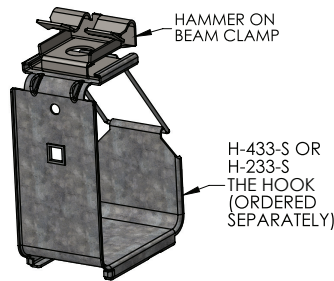
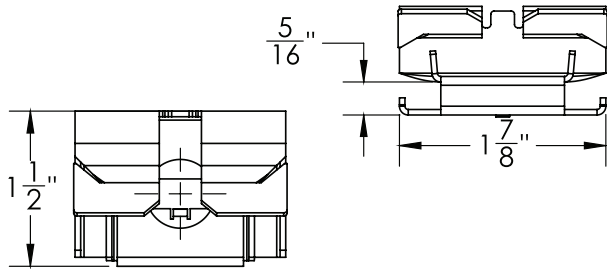
- 1.) Material: 0.042" Spring steel.
- 2.) Fits flange thickness as specified above in part number. Static load capacity: 75lbs.
- 3.) Provides quick and easy attachment for mounting of H-433-S or H-233-S 'hook' by clamping to an I-beam flange or similar.
- 4.) Views for reference - do not scale.
- 5.) To Install:

5.1) Hook to beam clamp (with feed running parallel):

- Position beam clamp such that the opening below the tongue slides completely onto the beam mounting flange (by others). Hammer on straight as required.
- Install H-433-S or H-233-S cable hook (ordered separately) to beam clamp by sliding the upper channel of the hook around the tongue of the clamp completely into place.

5.2) Hook to beam clamp (with feed running perpendicular):

- Feed carriage bolt thru clearance hole in clamp
- Position beam clip such that the opening below the tongue slides completely onto the beam mounting flange (by others). Hammer on straight as required.
- Install H-433-S or H-233-S cable hook (ordered separately) to beam clamp by placing hook below bottom-most flange of clamp. Align 1/2" upper hole of hook concentric and feed thread of carriage bolt thru making sure carriage bolt sits flush. Capture threads to the hook using a serrated flanged nut as shown. Note that this orientation may result in a 2° pivot of the hook.



ORDERING DATA EXAMPLE:

H-BCH-18

STYLE/ MOUNTING
FLANGE THICKNESS

18 = 1/8" TO 1/4"

4 International Drive
Rye Brook, NY 10573
Toll Free: 1 888.764.7681
Phone: 914.934.2075
Fax: 914.934.2190
MonoSystems.com

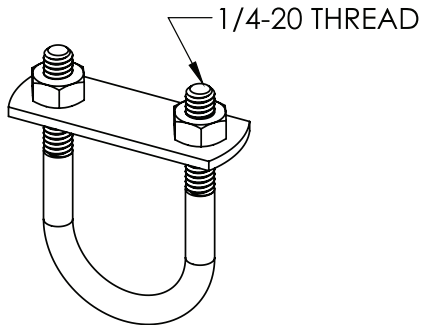


J-Hook / Steel H-VPC-XX

The Hook™ Accessories

Manufactured by MonoSystems, Inc.

VERTICAL PEDESTAL WRAP-AROUND CLAMP



Notes:

- 1.) A quick and secure attachment for use with H-233 or H-433 style hooks.
- 2.) U-bolt material: zinc plated steel. Ordered as each.
- 3.) Recommended installation:
Feed U-bolt through carriage bolt hole in back of hook. Capture around stanchion or vertical running member and install mounting plate with nuts. Align assembly and tighten nuts using a 7/16 socket or wrench. Tighten until assembly is secure. Recommended torque for 1/4" fasteners: 12 ft-lbs [16.3 N-m].
- 4.) Views for reference - do not scale.

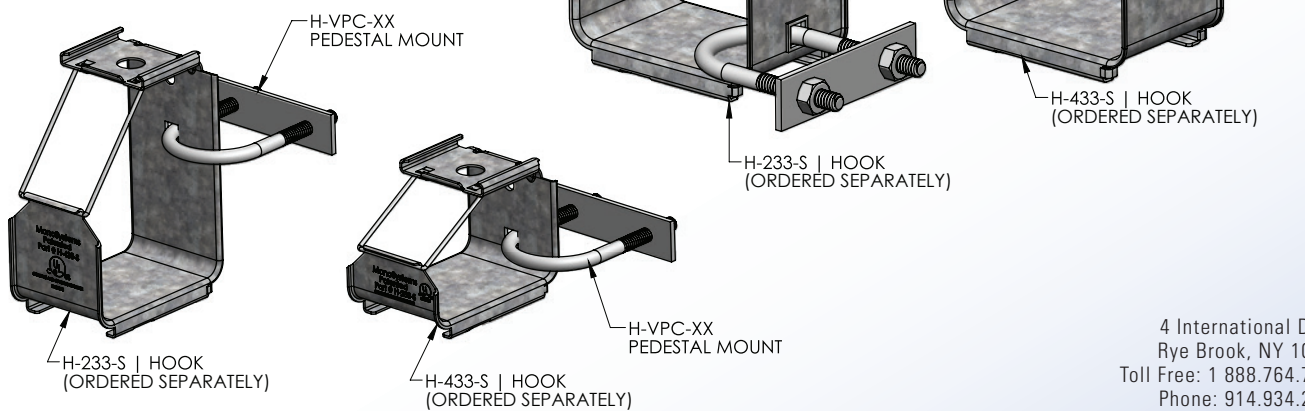
ORDERING DATA EXAMPLE:

H-VPC-XX

1 = 1" 1/4-20 U-BOLT
1.5 = 1.5" I.D. 1/4-20 U-BOLT
*ADDITIONAL OPTIONS AVAILABLE -
SPEAK WITH MONOSYSTEMS



H-VPC-1 SHOWN ABOVE SEE NOTE 3



4 International Drive
Rye Brook, NY 10573
Toll Free: 1 888.764.7681
Phone: 914.934.2075
Fax: 914.934.2190
MonoSystems.com

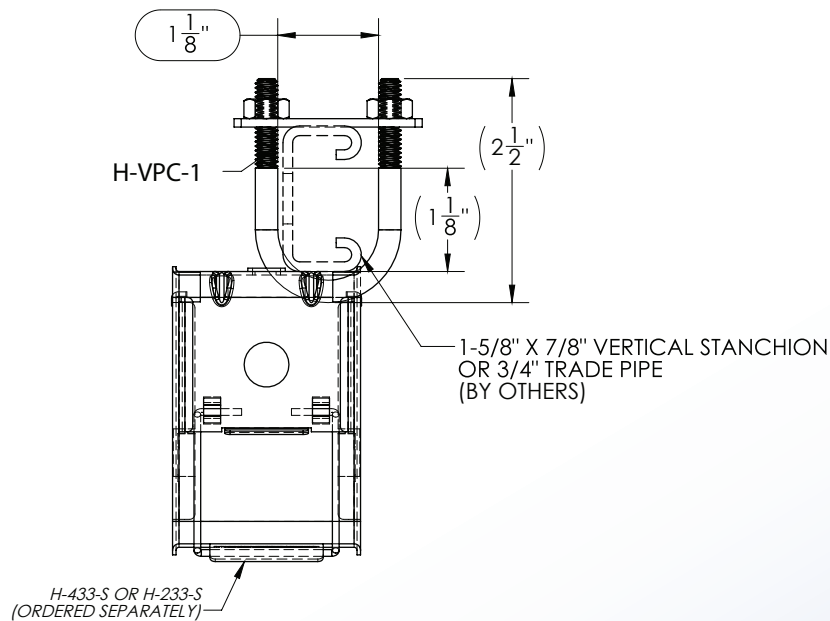
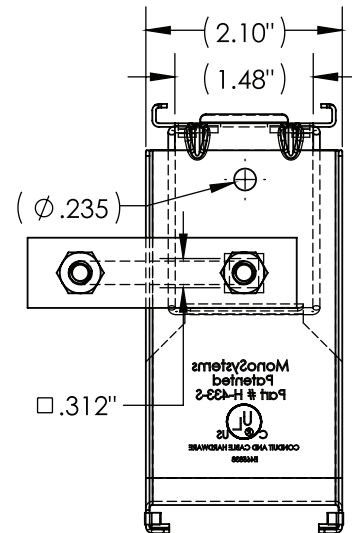
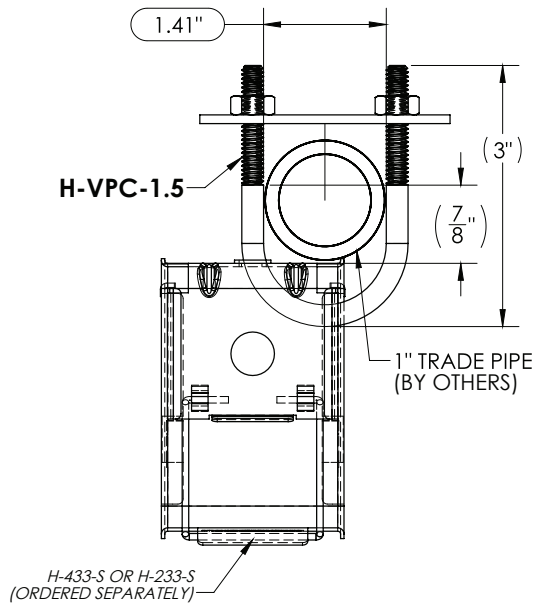


J-Hook / Steel H-VPC-XX

The Hook™ Accessories

Manufactured by MonoSystems, Inc.

VERTICAL PEDESTAL WRAP-AROUND CLAMP



4 International Drive
Rye Brook, NY 10573
Toll Free: 1 888.764.7681
Phone: 914.934.2075
Fax: 914.934.2190
MonoSystems.com

