

Cable Tray / Ladder Tray

MDS-M-H-2050-L

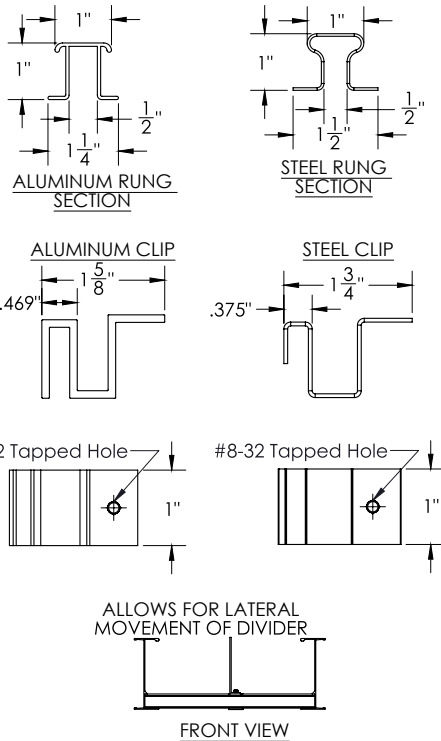
PowerTray™ Accessories
 Manufactured in the USA by MonoSystems, Inc.



MOVABLE DIVIDER FOR ALUMINUM, AND STEEL RUNGS ALUMINUM AND STEEL CABLE TRAY

Notes

- 1.) Standard length 72".
- 2.) Sold individually. #8-32 mounting hardware provided.
- 3.) Installation: Insert divider clips into rung as shown. Align #8-32 holes and install screw, fasten divider to rung until snug. Do not over tighten.
- 4.) No power tools needed.
- 5.) Views for reference - do not scale.



UL CLASSIFIED AS A
 GROUNDING CONDUCTOR

ORDERING DATA EXAMPLE:

MDS-M-H-2050-L

MATERIAL

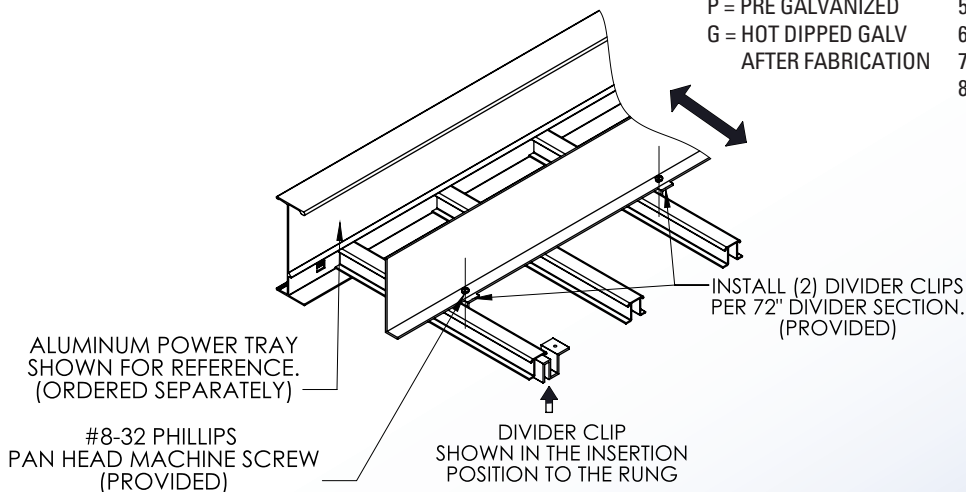
A = ALUMINUM
 P = PRE GALVANIZED
 G = HOT DIPPED GALV
 AFTER FABRICATION

RAIL HEIGHT

4" RAIL = 3" DIVIDER
 5" RAIL = 4" DIVIDER
 6" RAIL = 5" DIVIDER
 7" RAIL = 6" DIVIDER
 8" RAIL = 7" DIVIDER

DIVIDER LENGTH

72 = 72"
 120 = 120"
 144 = 144"



4 International Drive
 Rye Brook, NY 10573
 Toll Free: 1 888.764.7681
 Phone: 914.934.2075
 Fax: 914.934.2190
 MonoSystems.com



MonoSystems
 wire management. managed.