

Innovations / Desk Pedestals

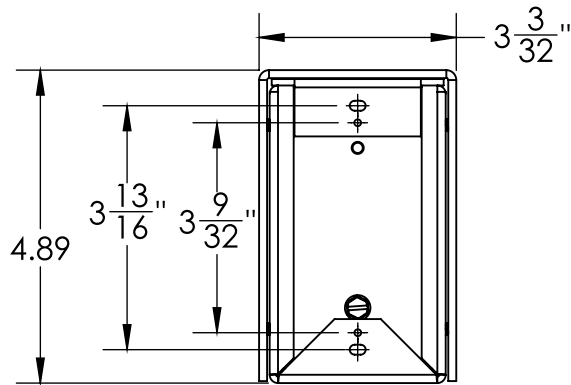
DPS-1-DM

Desk Pedestals

Manufactured in the USA by MonoSystems, Inc.



1-GANG, DOUBLE SIDED DESK PEDESTAL



DPS-1-DM
1-GANG, DOUBLE SIDED
ALUMINUM DESK PEDESTAL
SECTION VIEW
SATIN ANODIZE FINISH
(EACH ORDERED SEPARATELY)

Notes

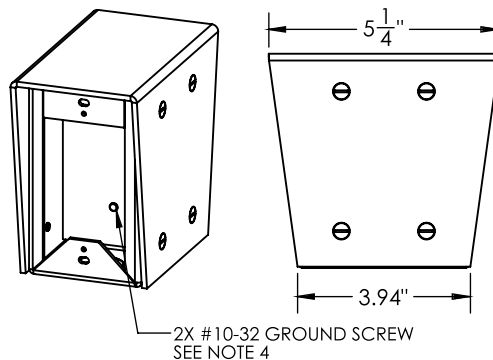
- 1.) Mount up to 2 devices within one box.
- 2.) Approximate box volume: 43.06 cu/in [109.37 cu/cm]. Each side compartment: 21.53 cu/in [54.7 cu/cm]. Approximate box weight without devices: 1.2 Lbs.
- 3.) To mount box: drill 1/4" clearance holes thru top of desk or bench and mount box using 1/4-20" bolts, capture on underside of desk or bench using 1/4" serrated flange nuts.
- 4.) Mount devices (by others) to DPS-1-DM desk pedestal box, wire per nec & local codes. Connect ground wire to #10-32 grounding screws inside of box.
- 5.) Remove 3/4" trade size knockouts in bottom of box and install conduit (by others).
- 6.) Finish with (2) single gang cover plate (by others).
- 7.) Views for reference - do not scale.

Material

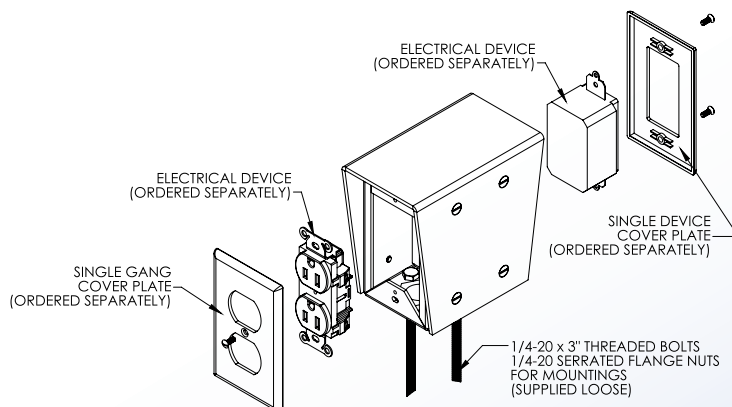
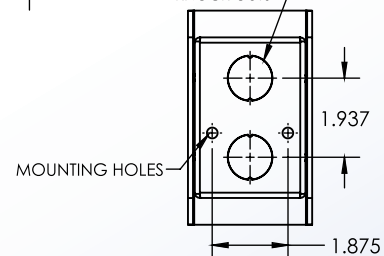
Exterior: 1/8" Satin anodized aluminum.
Interior: 0.10" Satin anodized aluminum.



UL LISTED
FILE: E362418



(2X) Ø 1.109 [3/4" TRADE] KNOCK OUTS



4 International Drive
Rye Brook, NY 10573
Toll Free: 1 888.764.7681
Phone: 914.934.2075
Fax: 914.934.2190
MonoSystems.com



MonoSystems
wire management. managed.

Innovations / Desk Pedestals

DPS-2-DM

Desk Pedestals

Manufactured in the USA by MonoSystems, Inc.



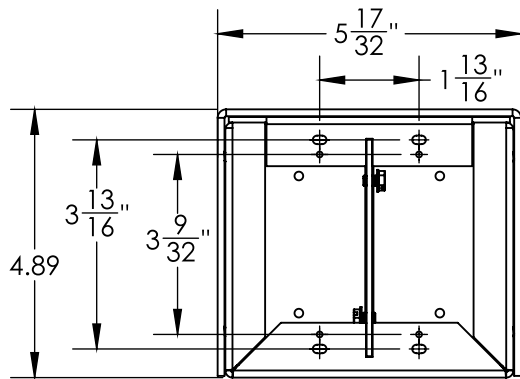
2-GANG, DOUBLE SIDED DESK PEDESTAL

Notes

- 1.) Mount up to 4 devices within one box.
- 2.) Approximate Box Volume: 82.16 cu/in [208.7 cu/cm]. Each side compartment (4 total): 20.54 cu/in [52.17 cu/cm]. Approximate box weight without devices: 2.3 lbs.
- 3.) To mount box: drill 1/4" clearance holes thru top of desk or bench and mount box using 1/4-20" bolts, capture on underside of desk or bench using 1/4" serrated flange nuts.
- 4.) Mount devices (by others) to DPS-2-DM desk pedestal box, wire per nec & local codes. Connect ground wire to #10-32 grounding screws inside of box.
- 5.) Remove 3/4" trade size knockouts in bottom of box and install conduit (by others).
- 6.) Finish with (2) double gang cover plate (by others).
- 7.) Views for reference - do not scale.

Material

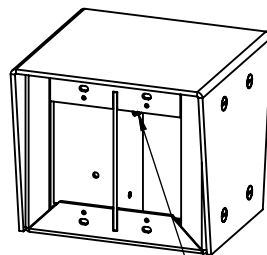
Exterior: 1/8" Satin anodized aluminum.
Interior: 0.10" Satin anodized aluminum.



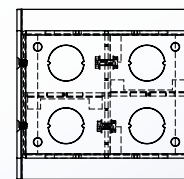
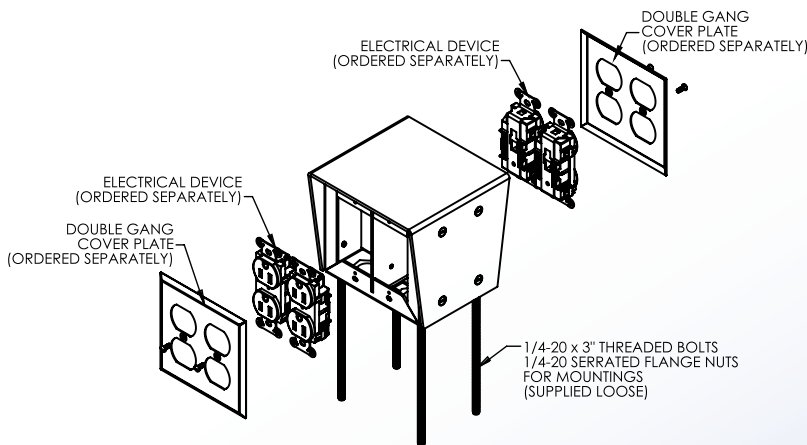
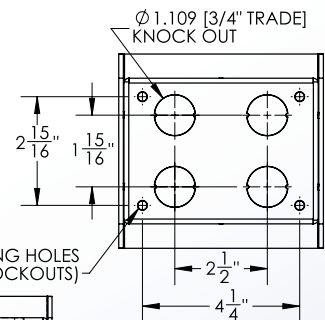
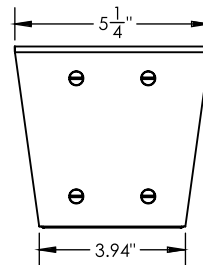
DPS-2-DM
2-GANG, DOUBLE SIDED
ALUMINUM DESK PEDESTAL
SECTION VIEW
SATIN ANODIZE FINISH
(EACH ORDERED SEPARATELY)



UL LISTED
FILE: E362418



4X #10-32 GROUND SCREW
SEE NOTE 4



4 International Drive
Rye Brook, NY 10573
Toll Free: 1 888.764.7681
Phone: 914.934.2075
Fax: 914.934.2190
MonoSystems.com



MonoSystems
wire management. managed.

Innovations / Desk Pedestals

DPS-3-DM

Desk Pedestals

Manufactured in the USA by MonoSystems, Inc.



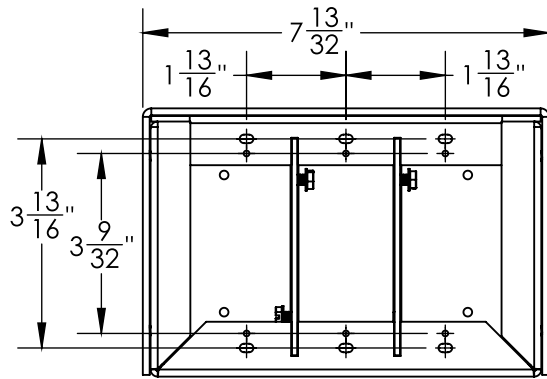
3-GANG, DOUBLE SIDED DESK PEDESTAL

Notes

- 1.) Mount up to 6 devices within one box.
- 2.) Approximate Box Volume: 111.12 cu/in [282.2 cu/cm]. Each side compartment (4 total): 20.45 cu/in [51.94 cu/cm]. Each center compartment (2 total): 14.66 cu/in [37.24 cu/cm]. Approximate box weight without devices: 2.7 lbs.
- 3.) To mount box: drill 1/4" clearance holes thru top of desk or bench and mount box using 1/4-20" bolts, capture on underside of desk or bench using 1/4" serrated flange nuts.
- 4.) Mount devices (by others) to DPS-3-DM desk pedestal box, wire per nec & local codes. Connect ground wire to #10-32 grounding screws inside of box.
- 5.) Remove 3/4" trade size knockouts in bottom of box and install conduit (by others).
- 6.) Finish with (2) 3 gang cover plates (by others).
- 7.) Views for reference - do not scale.

Material

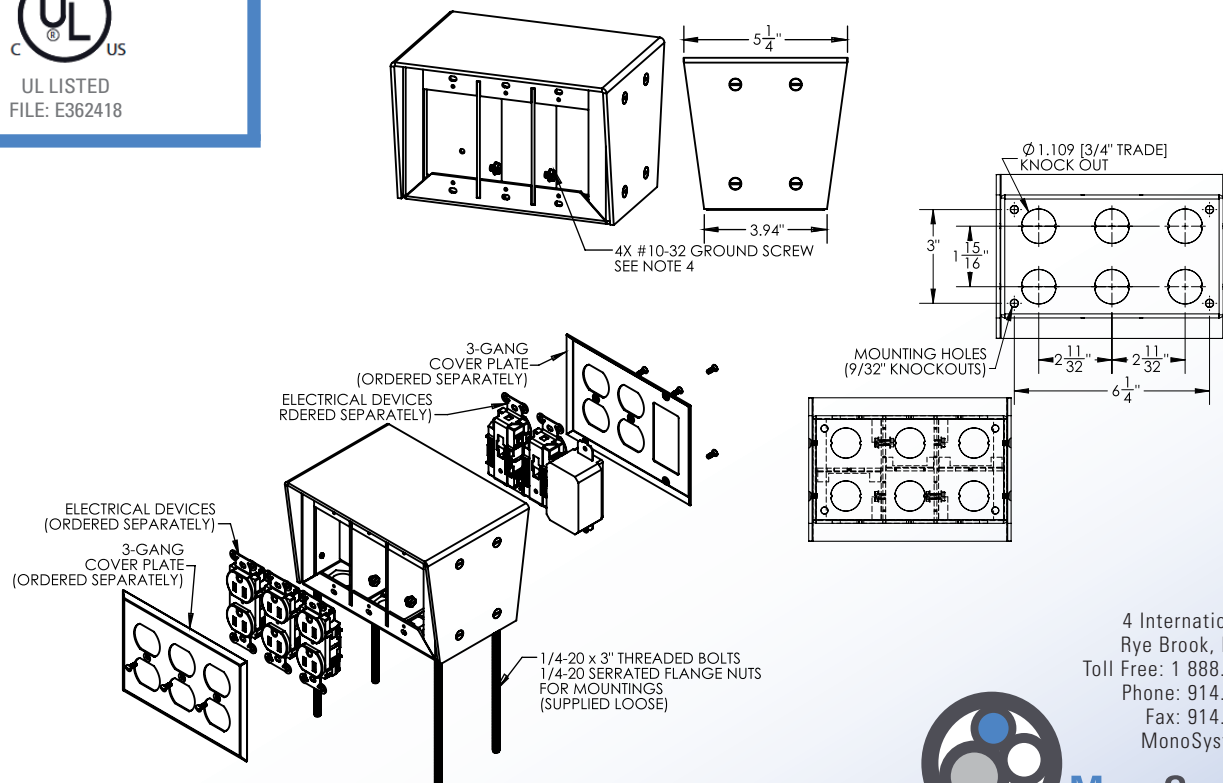
Exterior: 1/8" Satin anodized aluminum.
Interior: 0.10" Satin anodized aluminum.



DPS-3-DM
3-GANG, DOUBLE SIDED
ALUMINUM DESK PEDESTAL
SECTION VIEW
SATIN ANODIZE FINISH
(EACH ORDERED SEPARATELY)



UL LISTED
FILE: E362418



4 International Drive
Rye Brook, NY 10573
Toll Free: 1 888.764.7681
Phone: 914.934.2075
Fax: 914.934.2190
MonoSystems.com



MonoSystems
wire management. managed.

Innovations / Desk Pedestals

DPS1-1-DM

Desk Pedestals

Manufactured in the USA by MonoSystems, Inc.



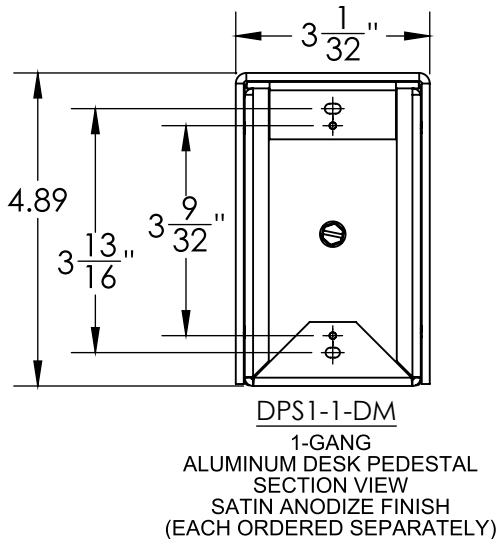
1-GANG, SINGLE SIDED DESK PEDESTAL

Notes

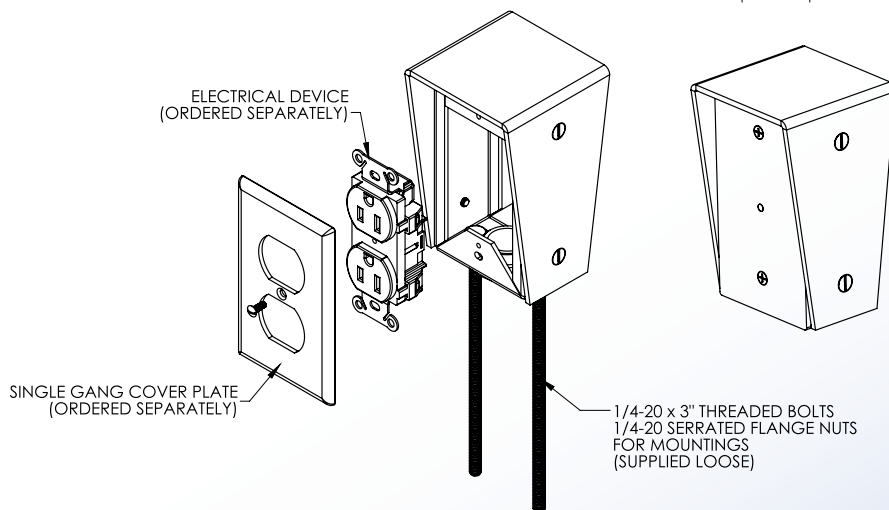
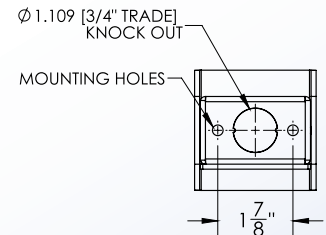
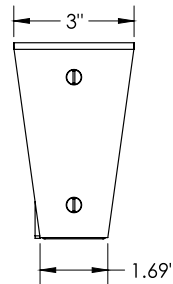
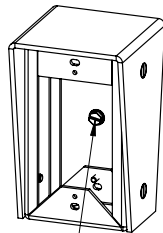
- 1.) Mounts one device within box.
- 2.) Approximate box volume: 17.29 cu/in [43.9 cu/cm].
Approximate box weight without devices: 0.85 lbs.
- 3.) To mount box: drill 1/4" clearance holes thru top of desk or bench and mount box using 1/4-20" bolts, capture on underside of desk or bench using 1/4" serrated flange nut.
- 4.) Mount devices (by others) to DPS1-1-DM desk pedestal box, wire per nec & local codes connect ground wire to #10-32 grounding screws inside of box.
- 5.) Remove 3/4" trade size knockouts in bottom of box and install conduit (by others).
- 6.) Finish with single gang cover plate (by others).
- 7.) Views for reference - do not scale.

Material

Exterior: 1/8" Satin anodized aluminum.
Interior: 0.10" Satin anodized aluminum.



UL LISTED
FILE: E362418
(PENDING)



4 International Drive
Rye Brook, NY 10573
Toll Free: 1 888.764.7681
Phone: 914.934.2075
Fax: 914.934.2190
MonoSystems.com



MonoSystems
wire management. managed.

Innovations / Desk Pedestals

DPS1-2-DM

Desk Pedestals

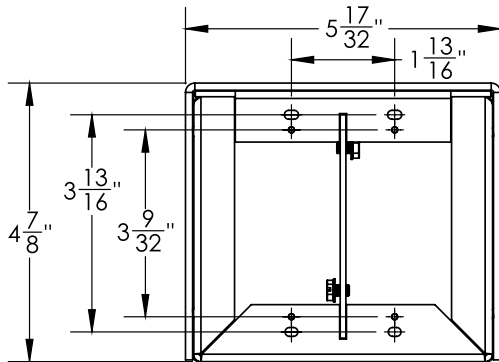
Manufactured in the USA by MonoSystems, Inc.



2-GANG, SINGLE SIDED DESK PEDESTAL

Notes

- 1.) Mount up to 2 devices within one box.
- 2.) Approximate box volume: 33.62 cu/in [85.38 cu/cm]. Each side compartment: 16.81 cu/in [42.69 cu/cm]. Approximate box weight without devices: 1.4 lbs.
- 3.) To mount box: drill 1/4" clearance holes thru top of desk or bench and mount box using 1/4-20" bolts, capture on underside of desk or bench using 1/4" serrated flange nuts.
- 4.) Mount devices (by others) to DPS1-1-DM desk pedestal box, wire per nec & local codes. Connect ground wire to #10-32 grounding screws inside of box.
- 5.) Remove 3/4" trade size knockouts in bottom of box and install conduit (by others).
- 6.) Finish with double gang cover plate (by others).
- 7.) Views for reference - do not scale.



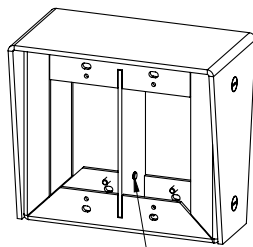
DPS1-2-DM
2-GANG
ALUMINUM DESK PEDESTAL
SECTION VIEW
SATIN ANODIZE FINISH
(EACH ORDERED SEPARATELY)

Material

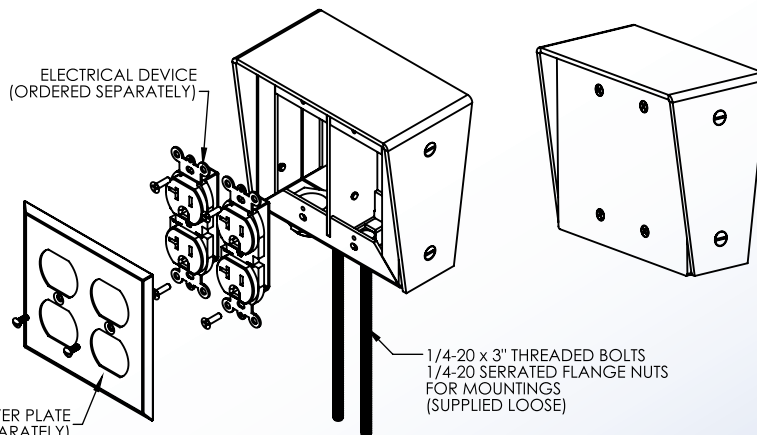
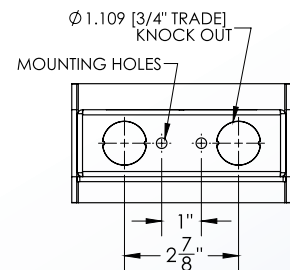
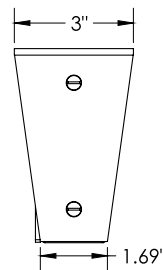
Exterior: 1/8" Satin anodized aluminum.
Interior: 0.10" Satin anodized aluminum.



UL LISTED
FILE: E362418



2X #10-32 GROUND SCREW
SEE NOTE 4



DOUBLE GANG COVER PLATE
(ORDERED SEPARATELY)

1/4-20 x 3" THREADED BOLTS
1/4-20 SERRATED FLANGE NUTS
FOR MOUNTINGS
(SUPPLIED LOOSE)

4 International Drive
Rye Brook, NY 10573
Toll Free: 1 888.764.7681
Phone: 914.934.2075
Fax: 914.934.2190
MonoSystems.com



MonoSystems
wire management. managed.

Innovations / Desk Pedestals

DPS1-3-DM

Desk Pedestals

Manufactured in the USA by MonoSystems, Inc.



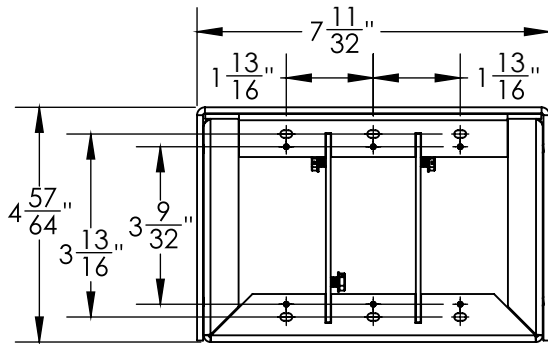
3-GANG, SINGLE SIDED DESK PEDESTAL

Notes

- 1.) Mount up to 3 devices in a single box.
- 2.) Approximate box volume: 45.08 cu/in [114.5 cu/cm]. Each side compartment: 16.54 cu/in [42.01 cu/cm]. Center compartment: 12 cu/in [30.48 cu/cm]. Approximate box weight without devices: 1.74 lbs.
- 3.) To mount box: drill 1/4" clearance holes thru top of desk or bench and mount box using 1/4-20" bolts, capture on underside of desk or bench using 1/4" serrated flange nuts.
- 4.) Mount devices (by others) to DPS1-3-DM desk pedestal box, wire per nec & local codes. Connect ground wire to #10-32 grounding screws inside of box.
- 5.) Remove 3/4" trade size knockouts in bottom of box and install conduit (by others).
- 6.) Finish with 3 gang cover plate (by others).

Material

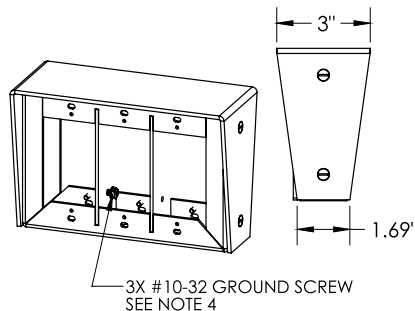
Exterior: 1/8" Satin anodized aluminum.
Interior: 0.10" Satin anodized aluminum.



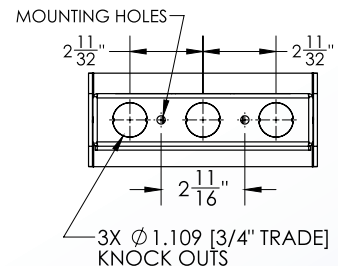
DPS1-3-DM
3-GANG
ALUMINUM DESK PEDESTAL
SECTION VIEW
SATIN ANODIZE FINISH
(EACH ORDERED SEPARATELY)



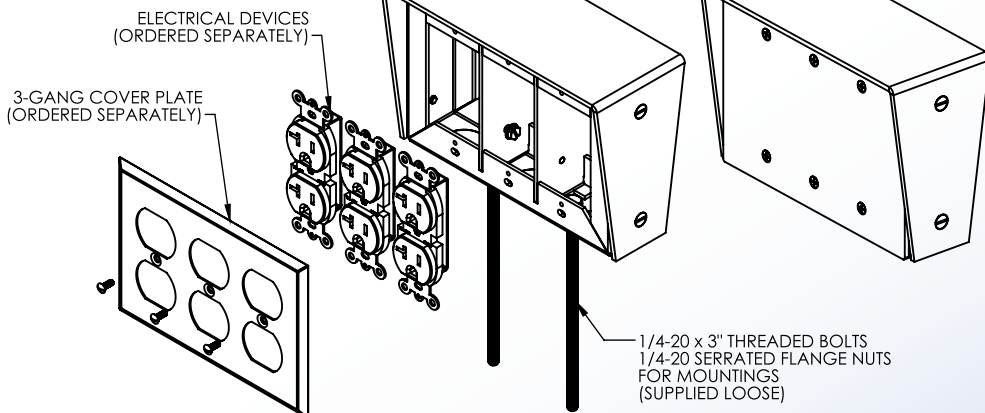
UL LISTED
FILE: E362418



3X #10-32 GROUND SCREW
SEE NOTE 4



3X Ø 1.109 [3/4" TRADE]
KNOCK OUTS



1/4-20 x 3" THREADED BOLTS
1/4-20 SERRATED FLANGE NUTS
FOR MOUNTINGS
(SUPPLIED LOOSE)

4 International Drive
Rye Brook, NY 10573
Toll Free: 1 888.764.7681
Phone: 914.934.2075
Fax: 914.934.2190
MonoSystems.com



MonoSystems
wire management. managed.