

Surface Raceway / Non-metallic FCA-150

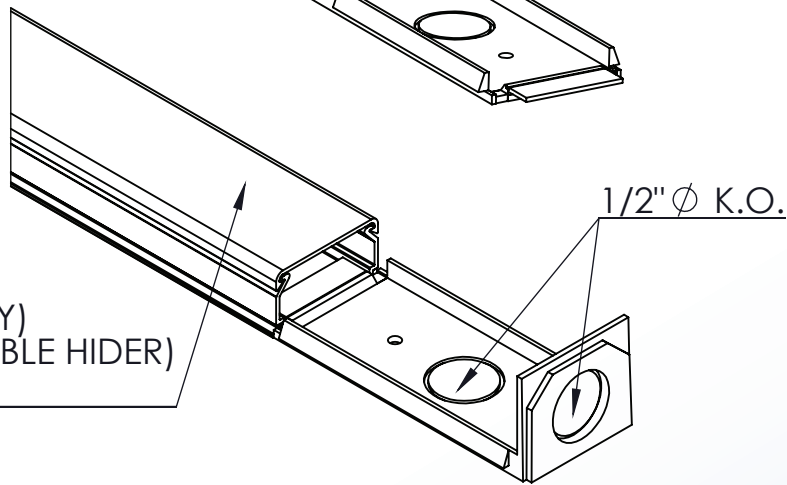
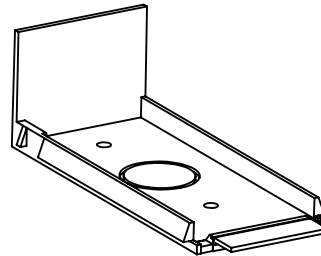
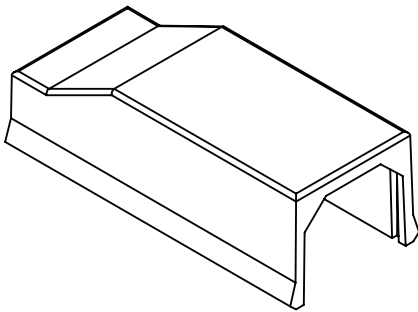
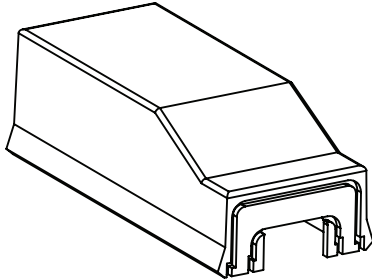
Raceway Fittings

Manufactured by MonoSystems, Inc.

CONDUIT ADAPTER

Notes

- 1.) For connecting PVC RaceWay to 3-1/4" (82mm) or 4" (100mm) outlet box or 1/2" (13mm) diameter conduit. Knockouts accommodate all Two piece RaceWay, Latch Duct, and CableHider RaceWays.
- 2.) **Installation Instructions:** Prior to installation, turn off power to the circuit on which you are working. trip the breaker or remove the fuse. Use this product in dry indoor applications only. Proper installation should comply with local electrical codes. Use a #8 (5/16", 7.99mm head size) flat head screw, or equivalent, to mount base to an existing box or surface.



DESIRED PVC RACEWAY:
LDR-XXX60 (Latch Duct)
TPR-XXX60 (2-PIECE RACEWAY)
FWH-XXX60 & FCL-XXX60 (CABLE HIDER)
(ALL ORDERED SEPARATELY)

M.S.I. PART NUMBER: FCA-150
CONDUIT ADAPTOR

| PART NUMBER: | COLOR: |
|--------------|--------|
| FCA-150A | ALMOND |
| FCA-150W | WHITE |

4 International Drive
Rye Brook, NY 10573
Toll Free: 1 888.764.7681
Phone: 914.934.2075
Fax: 914.934.2190
MonoSystems.com



MonoSystems
wire management. managed.

PVC RaceWay/CableHider FCC-XXX

RaceWay™ Accessories

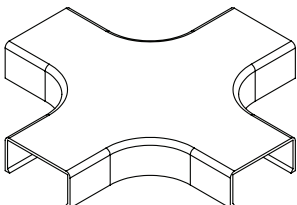
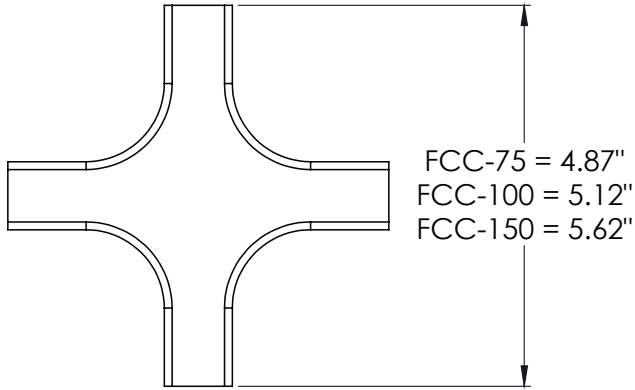
Manufactured by MonoSystems, Inc.

CROSS

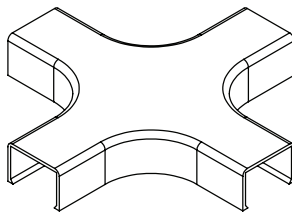
Notes

- 1.) Used to make a cross intersection for PVC Raceway.
- 2.) PVC Raceway ordered separately.

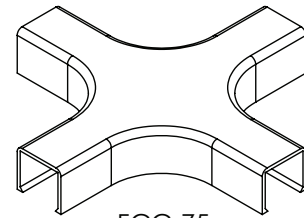
MonoSystems PVC raceways are intended for indoor use only and should be installed and properly grounded in compliance with requirements of NEC or local codes.



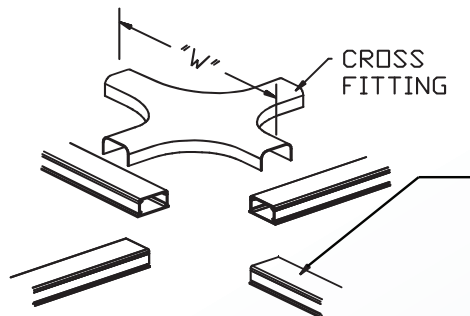
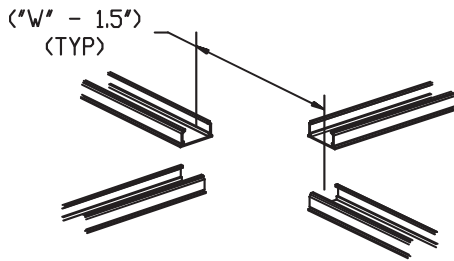
FCC-150
FOR USE WITH 3/4" DEEP X 1.5"
WIDE PVC RACEWAY



FCC-100
FOR USE WITH 1/2" DEEP X 1"
WIDE PVC RACEWAY



FCC-75
FOR USE WITH 1/2" DEEP X 3/4"
WIDE PVC RACEWAY



Desired PVC Raceway

- LDR-XXX60 (Latching Duct)
 - TPR-XXX60 (2-piece Raceway)
 - FWH-XXX60 (Cable Hider)
- (All ordered separately)

| PART NUMBER: | COLOR: |
|--------------|--------|
| FCC-XXXA | ALMOND |
| FCC-XXXW | WHITE |

When installing a cross for low voltage and where a bend radius is required, install raceways to mounting surface as shown. Install raceway cover flush with ends of base, snap cross fitting cover assembly. For use with two piece raceway and cable hider.

4 International Drive
Rye Brook, NY 10573
Toll Free: 1 888.764.7681
Phone: 914.934.2075
Fax: 914.934.2190
MonoSystems.com



MonoSystems™
wire management. managed.

Surface Raceway FEC-XXX

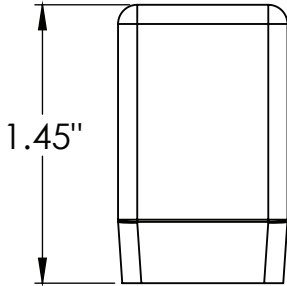
CableHider™ Accessories

Manufactured by MonoSystems, Inc.

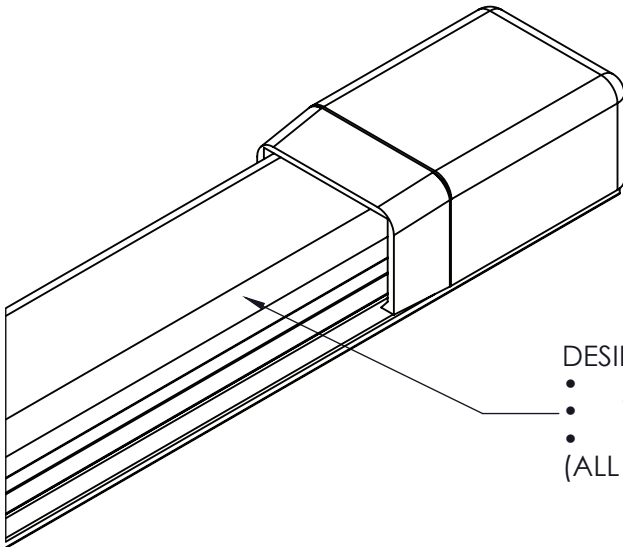
ENDCAP

Notes

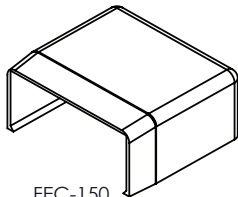
- 1.) Used to close off the end of a PVC Raceway run.
- 2.) Ensure wiring is at least 1.5" Away from blind end. Trim base sidewalls 3/16"
- 3.) Snap on cover leaving 1/8" of base exposed.
- 4.) Snap blind end in place.
- 5.) Monosystems pvc raceways are intended for indoor use only and should be installed and properly grounded in compliance with requirements of NEC or local codes.



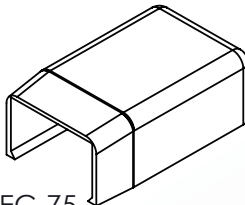
| | |
|--------------|--------|
| PART NUMBER: | COLOR: |
| FEC-XXXA | ALMOND |
| FEC-XXXW | WHITE |



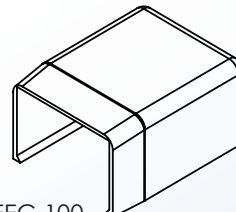
- DESIRED PVC RACEWAY
- LDR-XXX60 (LATCHING DUCT)
 - TPR-XXX60 (2-PIECE RACEWAY)
 - FWH-XXX60 (CABLE HIDER)
- (ALL ORDERED SEPARATELY)



FEC-150
FOR USE WITH 3/4" DEEP X 1.5"
WIDE PVC RACEWAY



FEC-75
FOR USE WITH 1/2" DEEP X 3/4"
WIDE PVC RACEWAY



FEC-100
FOR USE WITH 1/2" DEEP X 1"
WIDE PVC RACEWAY

4 International Drive
Rye Brook, NY 10573
Toll Free: 1 888.764.7681
Phone: 914.934.2075
Fax: 914.934.2190
MonoSystems.com



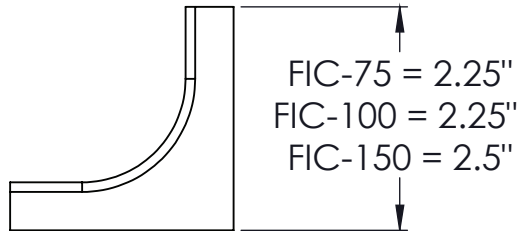
MonoSystems™
wire management. managed.®

Surface Raceway FIC-XXX

CableHider™ Accessories

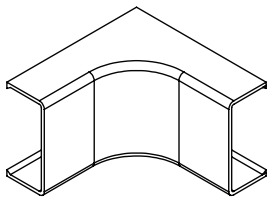
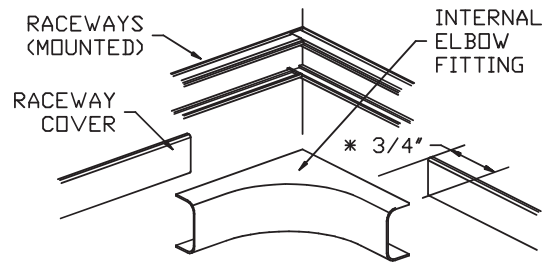
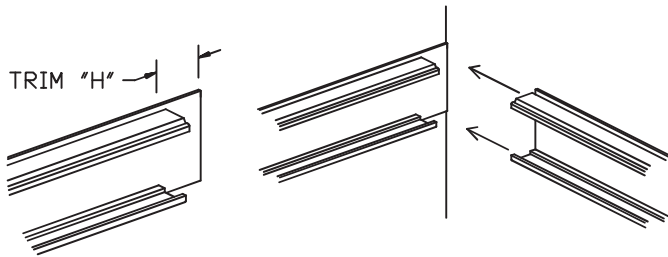
Manufactured by MonoSystems, Inc.

INSIDE CORNER

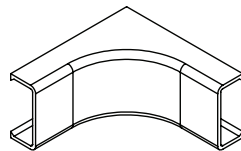


Notes

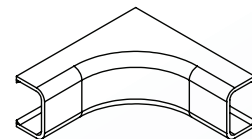
- 1.) Used to make 90° inside corner bend for PVC raceway.
- 2.) PVC raceway ordered separately.
- 3.) MonoSystems PVC Raceways are intended for indoor use only and should be installed and properly grounded in compliance with requirements of NEC or local codes.



FIC-150
FOR USE WITH 3/4" DEEP X 1.5"
WIDE PVC RACEWAY



FIC-100
FOR USE WITH 1/2" DEEP X 1"
WIDE PVC RACEWAY



FIC-75
FOR USE WITH 1/2" DEEP X 3/4"
WIDE PVC RACEWAY

| | |
|--------------|--------|
| PART NUMBER: | COLOR: |
| FIC-XXXA | ALMOND |
| FIC-XXXW | WHITE |

TRIM SIDEWALL TO HEIGHT OF RACEWAY AS SHOWN. INSTALL TO MOUNTING SURFACE. INSTALL ADJACENT RACEWAY TO MOUNTING SURFACE POSITIONED AS SHOWN. USE RACEWAY COVER OVER INTERSECTION. SNAP INTERNAL ELBOW FITTING OVER ASSEMBLY.
 * - IF A BEND RADIUS FOR LOW VOLTAGE WIRING IS REQUIRED, INSTALL RACEWAY COVER .75" FROM END OF INTERNAL ELBOW FITTING. FOR USE WITH TWO PIECE RACEWAY AND CABLE HIDER.

4 International Drive
 Rye Brook, NY 10573
 Toll Free: 1 888.764.7681
 Phone: 914.934.2075
 Fax: 914.934.2190
 MonoSystems.com



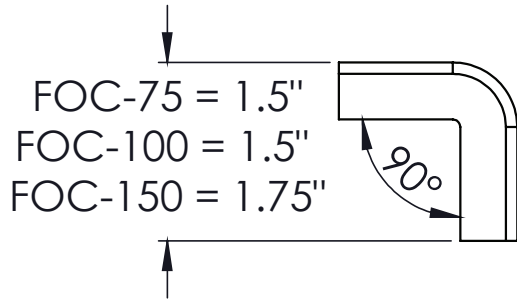
MonoSystems™
 wire management. managed.

Surface Raceway FOC-XXX

CableHider™ Accessories

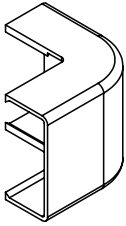
Manufactured by MonoSystems, Inc.

OUTSIDE CORNER

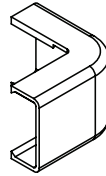


Notes

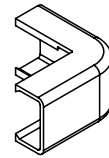
- 1.) Used to make 90 outside corner bend for PVC Raceway.
- 2.) PVC Raceway ordered separately.
- 3.) MonoSystems PVC Raceways are intended for indoor use only and should be installed and properly grounded in compliance with requirements of NEC or local codes.



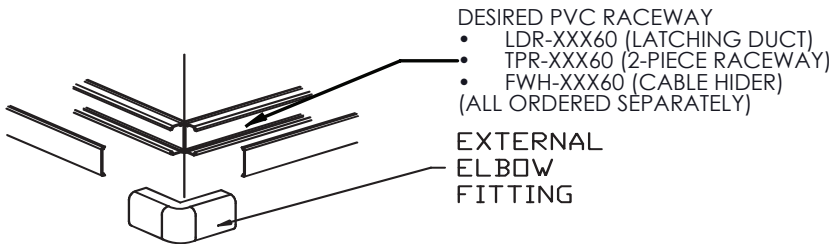
FOC-150
FOR USE WITH 3/4" DEEP X 1.5"
WIDE PVC RACEWAY



FOC-100
FOR USE WITH 1/2" DEEP X 1"
WIDE PVC RACEWAY



FOC-75
FOR USE WITH 1/2" DEEP X 3/4"
WIDE PVC RACEWAY



| PART NUMBER: | COLOR: |
|--------------|--------|
| FOC-XXXA | ALMOND |
| FOC-XXXW | WHITE |

When installing an external elbow for circuitry other than low voltage. Align and join raceways together. Install to mounting surface. Use raceway cover over intersection, and snap external elbow fitting over assembly. For us with two piece raceway and cable hider.

4 International Drive
Rye Brook, NY 10573
Toll Free: 1 888.764.7681
Phone: 914.934.2075
Fax: 914.934.2190
MonoSystems.com



MonoSystems™
wire management. managed.

PVC RaceWay/CableHider FRA-XXX

RaceWay™ Accessories

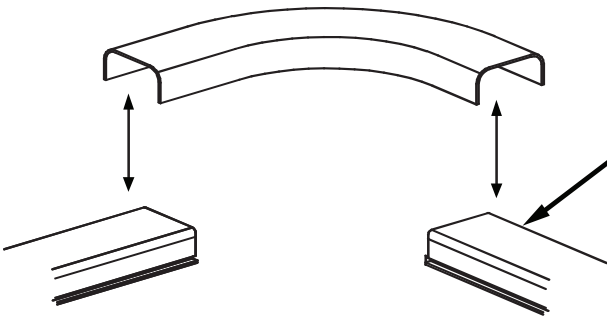
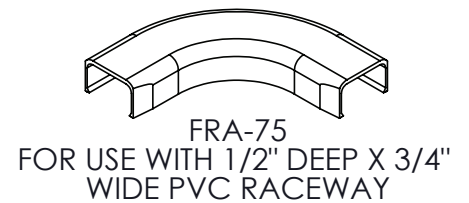
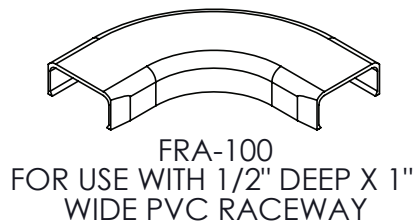
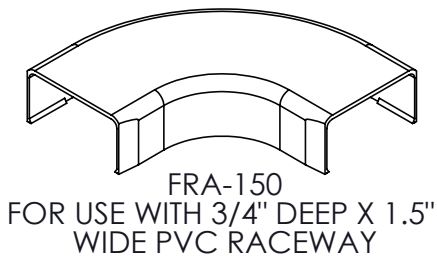
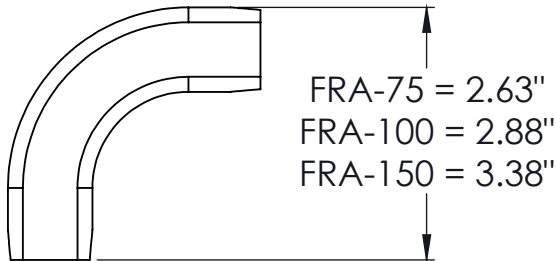
Manufactured by MonoSystems, Inc.

HORIZONTAL BEND

Notes

- 1.) Used to make 90 horizontal bend for PVC Raceway.
- 2.) PVC Raceway ordered separately.

MonoSystems PVC raceways are intended for indoor use only and should be installed and properly grounded in compliance with requirements of NEC or local codes.



- Desired PVC Raceway
- LDR-XXX60 (Latching Duct)
 - TPR-XXX60 (2-piece Raceway)
 - FWH-XXX60 (Cable Hider)
- (All ordered separately)

When installing a horizontal bend for low voltage and where a bend radius is required, install raceway to mounting surface as shown. Snap cover over assembly. For use with two piece raceway and cable hider.

| PART NUMBER: | COLOR: |
|--------------|--------|
| FRA-XXXA | ALMOND |
| FRA-XXXW | WHITE |

4 International Drive
Rye Brook, NY 10573
Toll Free: 1 888.764.7681
Phone: 914.934.2075
Fax: 914.934.2190
MonoSystems.com



MonoSystems™
wire management. managed.™

PVC RaceWay/CableHider FRD-XXXXXX

RaceWay™ Accessories

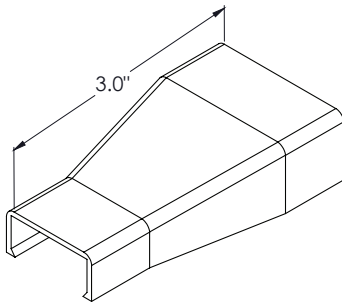
Manufactured by MonoSystems, Inc.

REDUCER

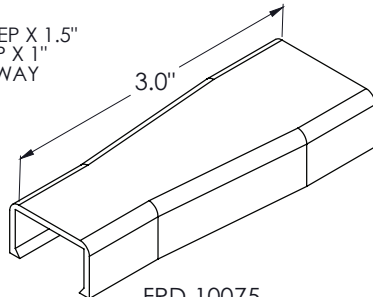
Notes

- 1.) Used to make a reduction for different PVC Raceway sizes.
- 2.) PVC Raceway ordered separately.

MonoSystems PVC raceways are intended for indoor use only and should be installed and properly grounded in compliance with requirements of NEC or local codes.

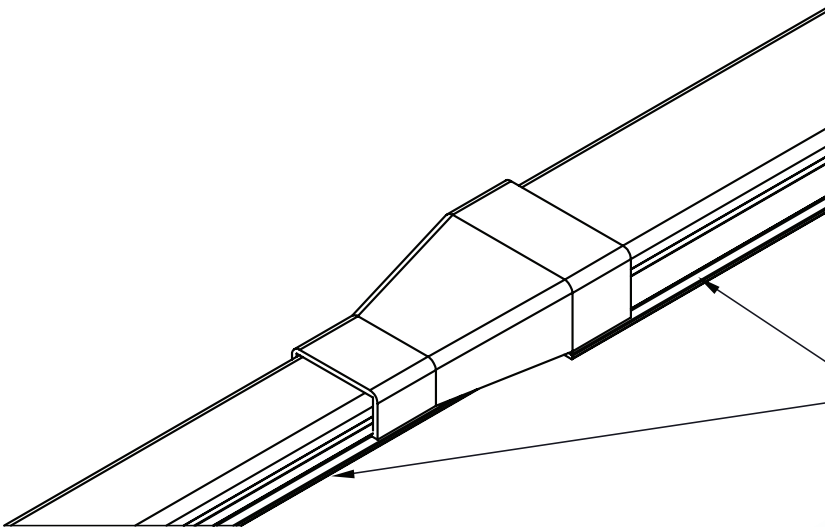


FRD-150100
FOR USE WITH 3/4" DEEP X 1.5"
WIDE TO 1/2" DEEP X 1"
WIDE PVC RACEWAY



FRD-10075
FOR USE WITH 1/2" DEEP X 1"
WIDE TO 1/2" DEEP X 3/4"
WIDE PVC RACEWAY

| PART NUMBER: | COLOR: |
|--------------|--------|
| FRD-XXXXXXA | ALMOND |
| FRD-XXXXXXW | WHITE |



- Desired PVC Raceway
- LDR-XXX60 (Latching Duct)
 - TPR-XXX60 (2-piece Raceway)
 - FWH-XXX60 (Cable Hider)
- (All ordered separately)

When installing a reducer for low voltage and where a reduction is required, install raceways to mounting surface as shown. Install raceway cover flush with ends of base. Snap reducer fitting over assembly. For use with two piece raceway and cable hider.

4 International Drive
Rye Brook, NY 10573
Toll Free: 1 888.764.7681
Phone: 914.934.2075
Fax: 914.934.2190
MonoSystems.com



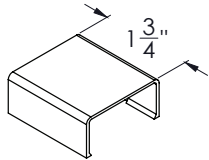
MonoSystems™
wire management. managed.™

Surface Raceway FSC-XXX

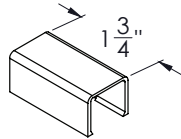
CableHider™ Accessories

Manufactured by MonoSystems, Inc.

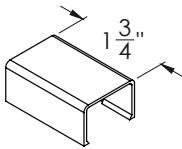
SPLICE CONNECTOR



FSC-150
FOR USE WITH 3/4" DEEP X 1.5"
WIDE PVC RACEWAY



FIC-75
FOR USE WITH 1/2" DEEP X 3/4"
WIDE PVC RACEWAY

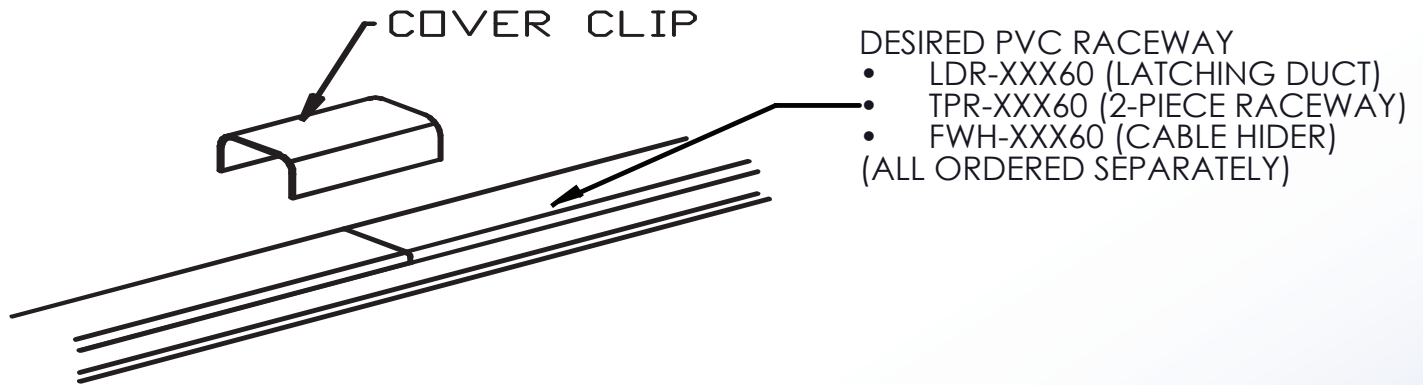


FSC-100
FOR USE WITH 1/2" DEEP X 1"
WIDE PVC RACEWAY

Notes

- 1.) Used to cover seams when splicing two pieces of cover.
- 2.) PVC Raceway ordered separately.
- 3.) MonoSystems PVC Raceways are intended for indoor use only and should be installed and properly grounded in compliance with requirements of NEC or local codes.

| PART NUMBER: | COLOR: |
|--------------|--------|
| FSC-XXXA | ALMOND |
| FSC-XXXW | WHITE |



Where cover sections meet use cover clips about center as shown. For use with two piece raceway and cable hider.

4 International Drive
Rye Brook, NY 10573
Toll Free: 1 888.764.7681
Phone: 914.934.2075
Fax: 914.934.2190
MonoSystems.com



MonoSystems™
wire management. managed.®

PVC RaceWay/CableHider FTC-XXX

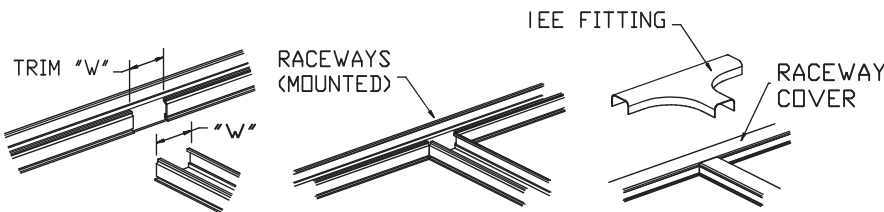
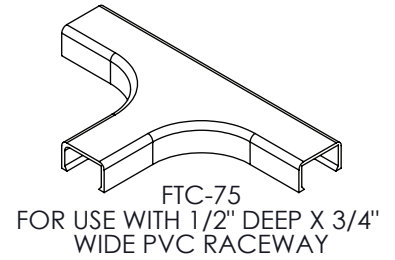
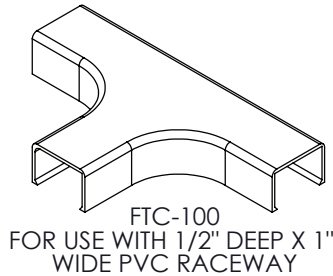
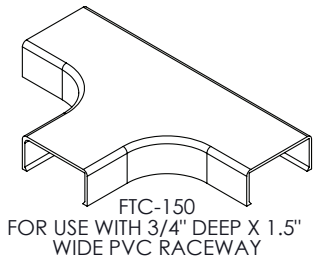
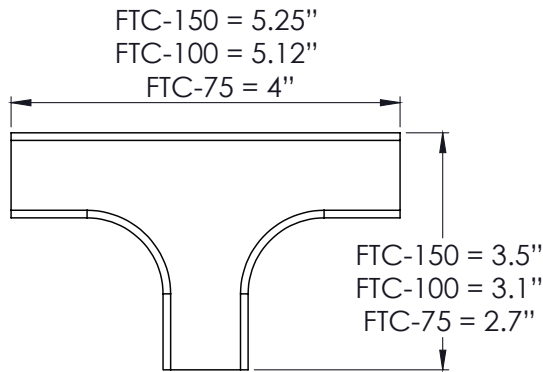
RaceWay™ Accessories Manufactured by MonoSystems, Inc.

TEE

Notes

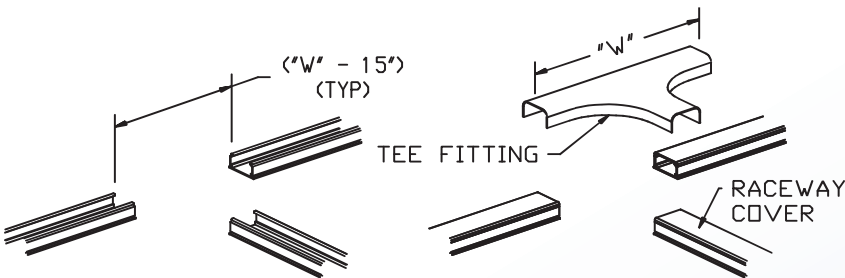
- 1.) Used to make an intersection for PVC Raceway.
- 2.) PVC Raceway ordered separately.

MonoSystems PVC Raceways are intended for indoor use only and should be installed and properly grounded in compliance with requirements of NEC or local codes.



When installing a tee for circuitry other than low voltage, butt raceways together. Trim sidewall to width of adjacent raceway as shown. Install to mounting surface. Use raceway cover over intersection, and snap tee fitting over assembly, for use with two piece raceway and cable hider.

| PART NUMBER: | COLOR: |
|--------------|--------|
| FTC-XXXA | ALMOND |
| FTC-XXXW | WHITE |



When installing a tee for low voltage and where a bend radius is required, install raceways to mounting surface as shown. Install raceway cover flush with ends of base. Snap tee fitting over assembly. For use with two piece raceway and cable hider.

Desired PVC Raceway

- LDR-XXX60 (Latching Duct)
 - TPR-XXX60 (2-piece Raceway)
 - FWH-XXX60 (Cable Hider)
- (All ordered separately)

4 International Drive
Rye Brook, NY 10573
Toll Free: 1 888.764.7681
Phone: 914.934.2075
Fax: 914.934.2190
MonoSystems.com



MonoSystems™
wire management. managed.

Surface Raceway / Non-metallic SWP2348-X [CH48X]

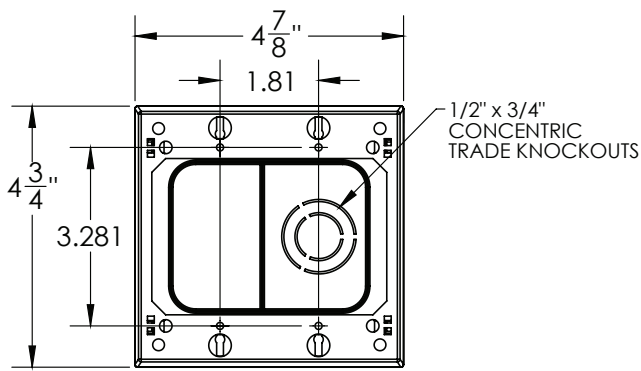
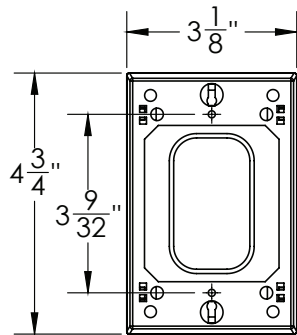
PVC Raceway Accessories

Manufactured by MonoSystems, Inc.

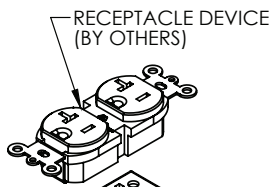
NON-METALLIC RACEWAY DEVICE BOX

Notes

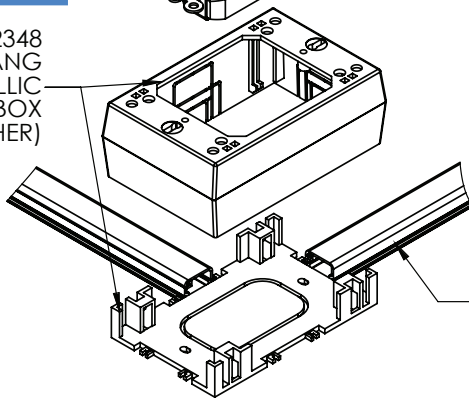
- 1.) Material: ABS UL94 V0.
- 2.) Each ordered separately. Device box and device mounting hardware by others.
- 3.) 2-Piece design with a variety of knockouts can be used with a complete array of color matched monosystems style PVC raceway:
 - LDR-XXX60 (latching duct)
 - TPR-XXX60 (2-piece raceway)
 - FWH-XXX60 & FCL-XXX60 (cable hider)
 (All ordered separately)
- 4.) ETL listed. Conforms to UL5A, CSA 22.2 standard for non-metallic raceways and fittings.
- 5.) This is not a mounting bracket! Ceiling fans and fixtures over 10lbs must be mounted independently from the SWP2348-X device box.
- 6.) Views for reference, do not scale.
- 7.) See page 2 for installation instructions.



FILE: 3031824



SWP2348
1-GANG
NON-METALLIC
DEVICE BOX
(SNAP TOGETHER)

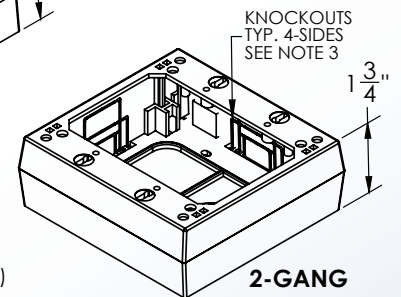
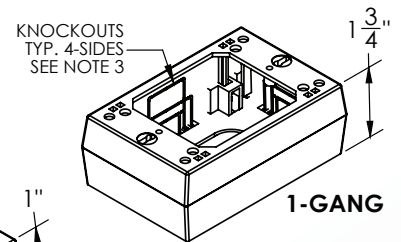


DESIRED PVC RACEWAY

- LDR-XXX60 (LATCHING DUCT)
- TPR-XXX60 (2-PIECE RACEWAY)
- FWH-XXX60 & FCL-XXX60 (CABLE HIDER)

(ALL ORDERED SEPARATELY)

1-GANG
SHALLOW PROFILE



| PART NUMBER | ALTERNATE P/N | COLOR | STYLE |
|--------------|---------------|--------|-----------------|
| SWP2348S | CH48S | ALMOND | 1-GANG |
| SWP2438S-W | CH48S-W | WHITE | SHALLOW PROFILE |
| SWP2348 | CH48-A | ALMOND | 1-GANG |
| SWP2348-WC | CH48-W | WHITE | 1-GANG |
| SWP2348-2 | CH482-A | ALMOND | 2-GANG |
| SWP2348-2-WC | CH482-W | WHITE | 2-GANG |

4 International Drive
Rye Brook, NY 10573
Toll Free: 1 888.764.7681
Phone: 914.934.2075
Fax: 914.934.2190
MonoSystems.com



MonoSystems
wire management. managed.

Surface Raceway / Non-metallic SWP2348-X [CH48X]

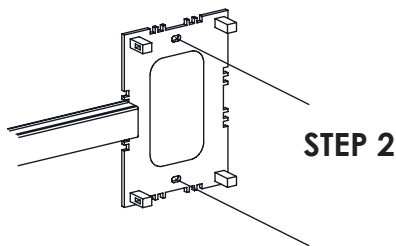
PVC Raceway Accessories

Manufactured by MonoSystems, Inc.

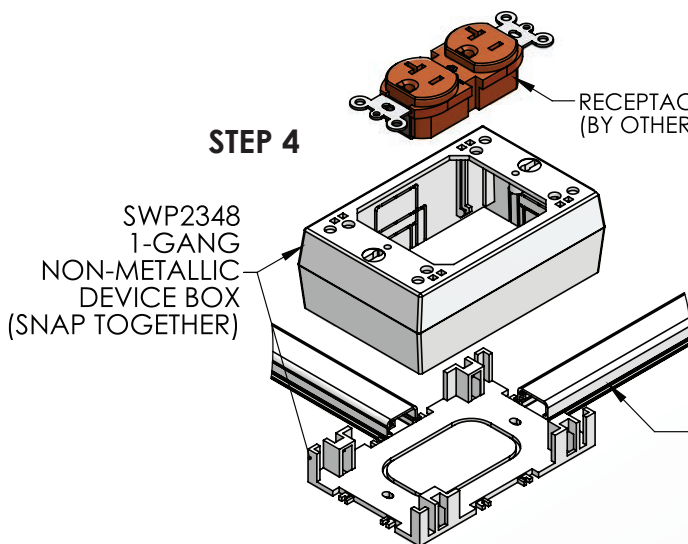
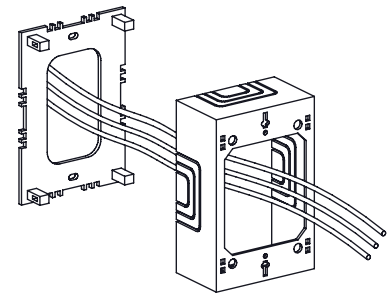
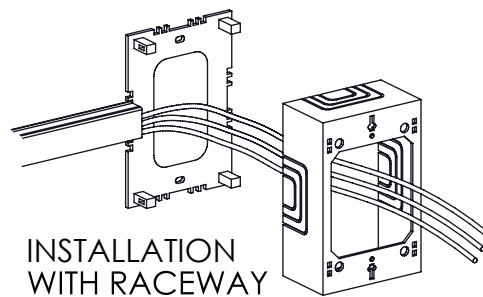
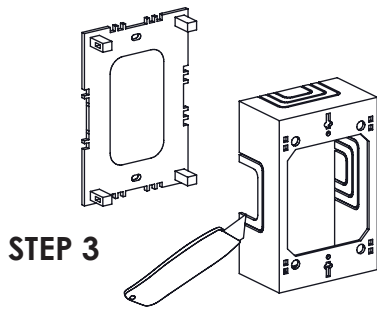
NON-METALLIC RACEWAY DEVICE BOX

Installation Instructions

- 1.) Turn off power to the circuit on which you are working.
This product is intended to be used in dry indoor applications only.
Proper installation should comply with local electrical codes.
- 2.) Use #8 x 5/16" flat head screws or equivalent (by others) to mount the base to an existing box or clean & flush mounting surface.
- 3.) If connecting to pvc raceway, carefully remove appropriate tabs from device box base and cover using pliers and a blade (by others).
If feeding wiring thru a wall, remove desired knockout in back plate.
- 4.) Wire per nec. And local codes. Mount device/s to box using #6-32 flat head fasteners (by others). Finish with device cover plate (by others).



*INTERNAL KNOCKOUTS
SHOWN EXTERNALLY IN
INSTALLATION VIEWS
FOR REFERENCE ONLY*



DESIRED PVC RACEWAY

- LDR-XXX60 (LATCHING DUCT)
- TPR-XXX60 (2-PIECE RACEWAY)
- FWH-XXX60 & FCL-XXX60 (CABLE HIDER)

(ALL ORDERED SEPARATELY)

4 International Drive
Rye Brook, NY 10573
Toll Free: 1 888.764.7681
Phone: 914.934.2075
Fax: 914.934.2190
MonoSystems.com



MonoSystems
wire management. managed.

Surface Raceway / Non-metallic TPR-XXX60X

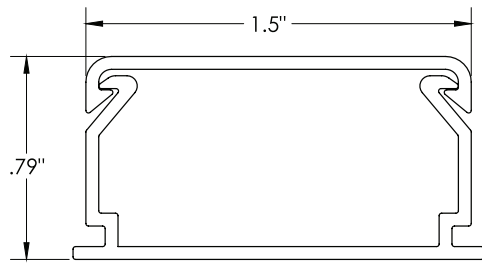
PVC Raceway

Manufactured by MonoSystems, Inc.

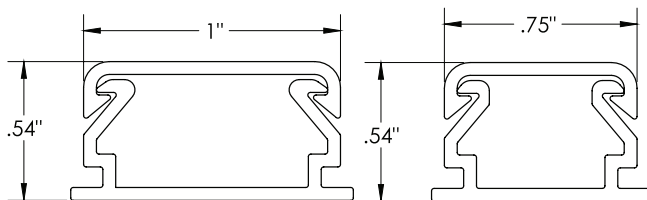
TWO-PIECE RACEWAY

Notes

- 1.) Material: paintable PVC. Ordered in 5' lengths typical.
- 2.) Fully removable cover for full access to raceway interior.
- 3.) Mount base to clean mounting surface using the supplied adhesive tape or drill and install smooth head fasteners (by others) within base.
- 4.) ETL listed. Conforms to UL5A, CSA 22.2 Standard for non-metallic raceways and fittings.
- 5.) Can be used with a complete array of color matched SWP series Device mounting boxes and F series fittings (ordered separately).
- 6.) Views for reference, do not scale.



TPR-15060



TPR-10060

TPR-7560



FILE: 3031824

ORDERING DATA EXAMPLE:

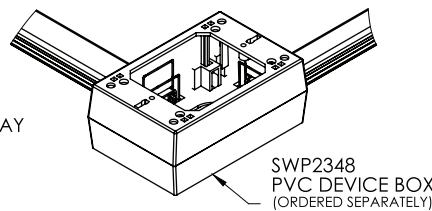
TPR - XXX 60 X

WIDTH

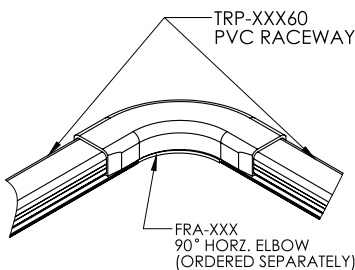
150 = 1.5"
100 = 1"
75 = .75"

COLOR

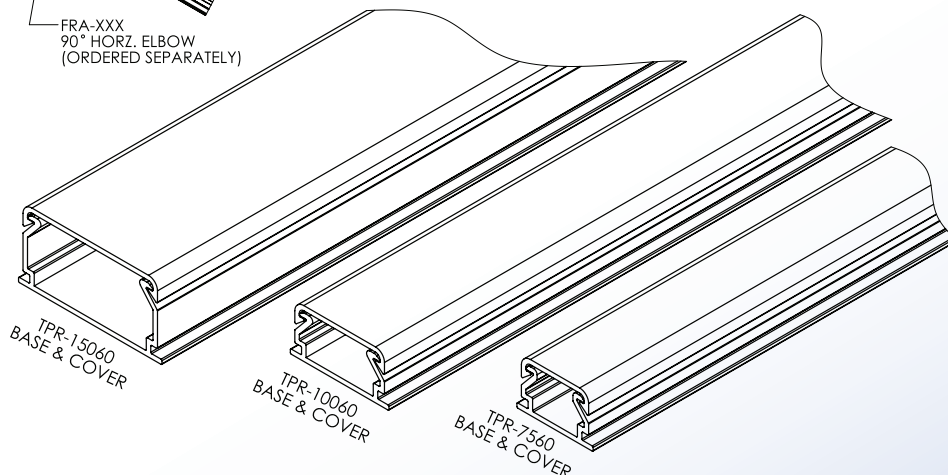
A = ALMOND
W = WHITE



SWP2348
PVC DEVICE BOX
(ORDERED SEPARATELY)



FRA-XXX
90° HORZ. ELBOW
(ORDERED SEPARATELY)



TPR-15060
BASE & COVER

TPR-10060
BASE & COVER

TPR-7560
BASE & COVER

| RACEWAY FILL CAPACITY CHART | | | | | |
|--|-------------|---------------------|----------|-----------|-----------|
| WIRE TYPE | WIRE Ø (in) | WIRE AREA (sq. in.) | TPR-7560 | TPR-10060 | TPR-15060 |
| BUILDING WIRE THHN | | | | | |
| 14AWG | 0.108 | 0.0092 | 2 | 5 | 9 |
| 12AWG | 0.126 | 0.0125 | 2 | 4 | 7 |
| 10AWG | 0.170 | 0.0227 | 1 | 2 | 4 |
| SIGNAL WIRE - UL STYLE 1061 300V 80°C * | | | | | |
| 18AWG | 0.066 | 0.0034 | 26 | 57 | 97 |
| 20AWG | 0.060 | 0.0028 | 31 | 69 | 118 |
| 22AWG | 0.050 | 0.002 | 45 | 99 | 170 |
| 24AWG | 0.045 | 0.0016 | 55 | 123 | 209 |
| TWISTED PAIR WIRE 24AUG * | | | | | |
| 2 PAIR | 0.14 | 0.0154 | 6 | 13 | 22 |
| 3 PAIR | 0.15 | 0.0177 | 5 | 11 | 19 |
| 4 PAIR CAT5 | 0.22 | 0.038 | 2 | 5 | 9 |
| 25 PAIR | 0.51 | 0.2042 | 0 | 1 | 2 |
| TWISTED PAIR (SHIELDED) * | | | | | |
| 4 PAIR, 24AUG | 0.25 | 0.0491 | 2 | 4 | 7 |
| 25 PAIR, 24AUG | 0.51 | 0.2042 | 0 | 1 | 2 |
| TYPE 1A, 22AUG | 0.43 | 0.1451 | 1 | 1 | 2 |
| COAX CABLE (MAX) * | | | | | |
| RG58/U | 0.193 | 0.0292 | 3 | 7 | 11 |
| RG59/U RG62/U | 0.242 | 0.046 | 2 | 4 | 7 |
| RG6/U | 0.270 | 0.0572 | 2 | 3 | 6 |
| FIBER OPTIC CABLE 62.5/125/900, PVC JACKET, OFNR * | | | | | |
| 2 STRAND | 0.175 | 0.024 | 4 | 8 | 14 |
| 4 STRAND | 0.185 | 0.0269 | 3 | 7 | 12 |
| 6 STRAND | 0.210 | 0.0346 | 3 | 6 | 10 |

*BASED ON 40% FILL RATIO

| PART NUMBER | RACEWAY AREA |
|-------------|--------------|
| TPR-7560 | 0.219" |
| TPR-10060 | 0.488" |
| TPR-15060 | 0.823" |

4 International Drive
Rye Brook, NY 10573
Toll Free: 1 888.764.7681
Phone: 914.934.2075
Fax: 914.934.2190
MonoSystems.com



MonoSystems
wire management. managed.