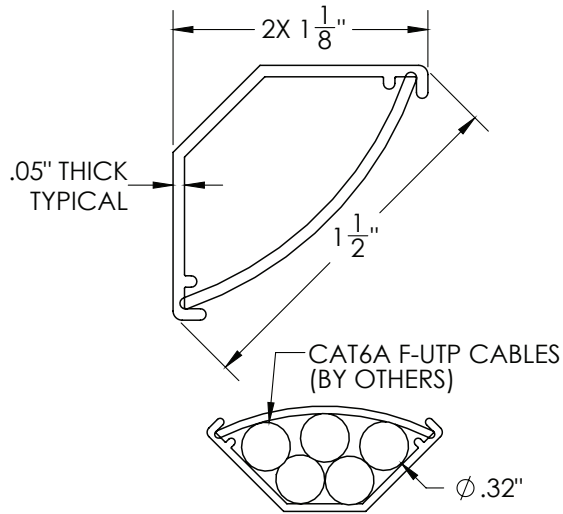


Surface Raceway / Non-metallic CW150-KTW

CoveWay™

Manufactured by MonoSystems, Inc.

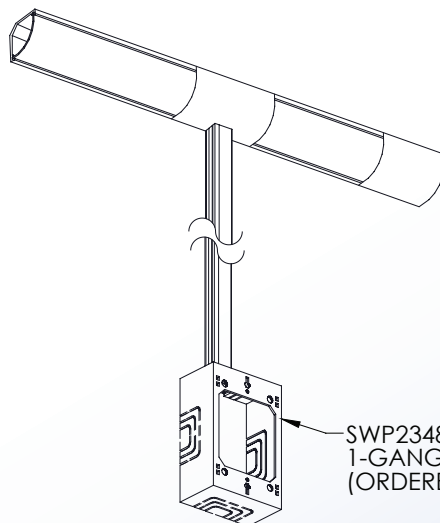
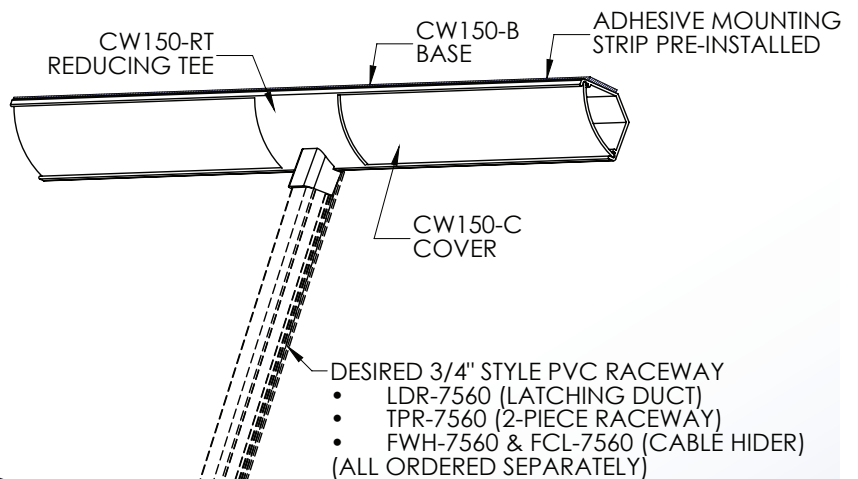
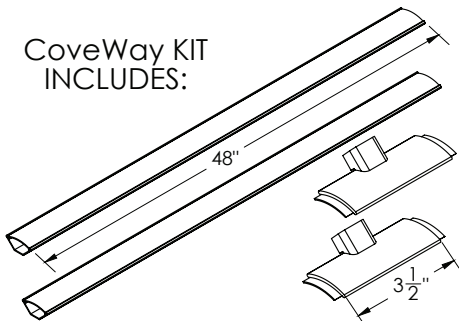
NON-METALLIC RACEWAY MOLDING KITS



Notes

- 1.) Material: paintable PVC. White finish standard.
- 2.) Hides wires and cords along ceilings and corners.
Recommended for low voltage class 2 cables.
- 3.) Mount using supplied adhesive backing or drill and install smooth head fasteners (by others) within base.
It's recommended to stagger cover seams (extend cover beyond seam to next piece of base) when connecting multiple linear sections of coveway to assist in alignment.
- 4.) Supplied standard in each kit:
 - (2) 4ft sections of base
 - (2) 4ft sections of cover
 - (2) Reducing tees
- 4.) Views for reference - do not scale.

CoveWay KIT
INCLUDES:



SWP2348W
1-GANG BOX
(ORDERED SEPARATELY)

4 International Drive
Rye Brook, NY 10573
Toll Free: 1 888.764.7681
Phone: 914.934.2075
Fax: 914.934.2190
MonoSystems.com



MonoSystems™
wire management. managed.