

Multi-Outlet Strips / Uncorded INSTALLATION

SS26
SnapStrip™ Install
Manufactured by MonoSystems, Inc.

INSTALLATION INSTRUCTIONS:

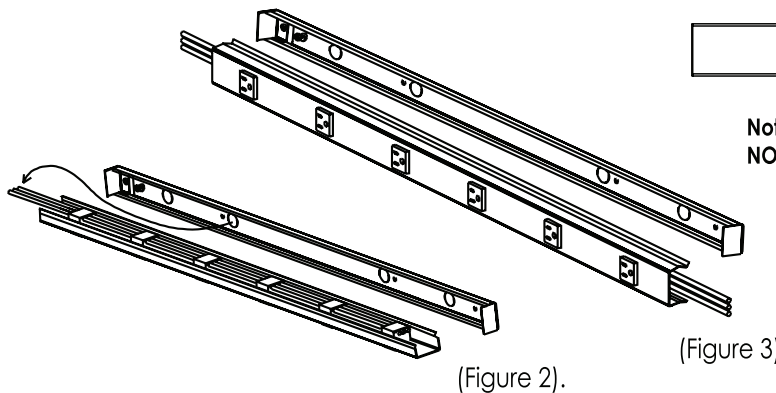
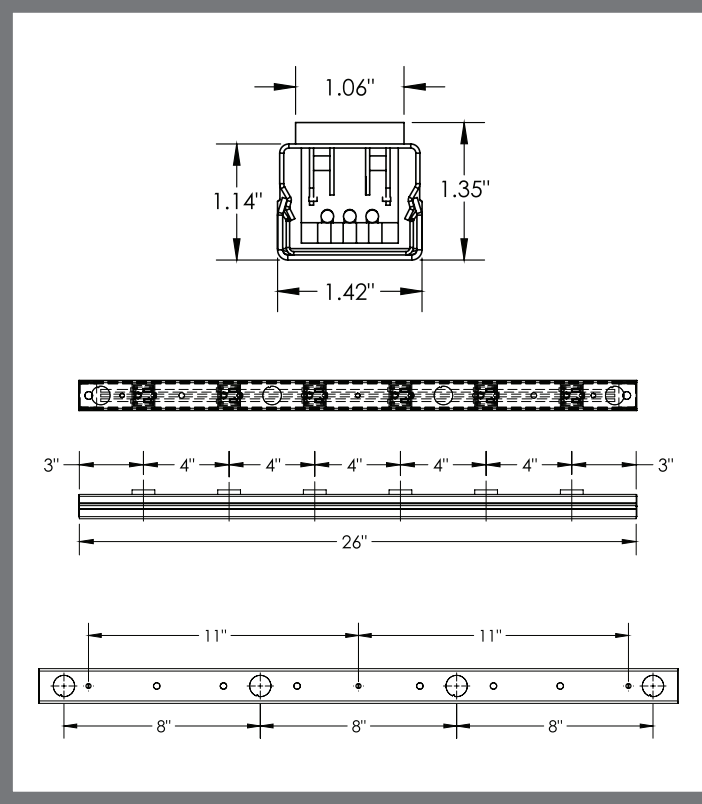
Prior To Installation, turn off power to the circuit on which you are working. Trip the breaker or remove the fuse.

Caution

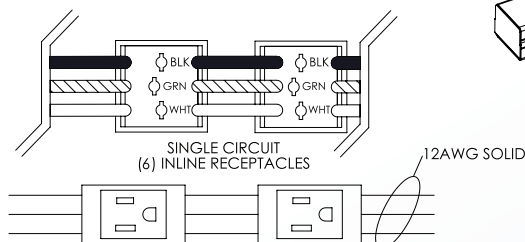
Turn off power before you start! Trip circuit breaker or remove the fuse controlling that circuit. Proper installation should comply with local electrical codes. Use in dry indoor locations only.

Mounting Instructions

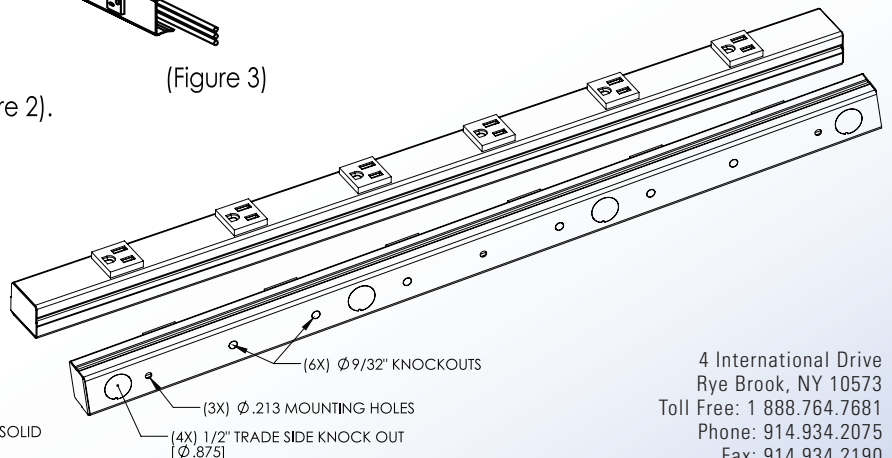
- 1.) Determine that the desired location is close enough to a power source.
- 2.) For best results, draw a guideline, or snap a chalk line. If this unit is to be installed under a cupboard or shelf, allow for at least a 1/2" (13mm) clearance between the top side of the unit and the overhanging surface. This positioning will avoid interference with plug caps of the cords on appliances, tools, etc. to be powered by the unit.
- 3.) Remove the cover by pulling the cover of the unit off the base. (figure 1).
- 4.) Remove desired knockout and Attach base unit to the mounting surface using #8 flat head hardware (by others).
- 5.) Connect and feed wiring thru NEC approved conduit (by others) Ensure that all wiring fits into base assembly.
- 6.) Attach Wiring from the unit to the power source. Terminate all wiring per NEC and local codes at selected junction point. Remove any unused leads. Attach end caps, or couplings (as needed), and reattach cover (figure 3).



Remove desired 1/2" trade [ø 0.875] knockouts in base for feed. (Figure 2).



Not to be used with more than four (4) additional (Figure 1)
NO.14 or NO.12AWG types THHN or THWN conductors



4 International Drive
Rye Brook, NY 10573
Toll Free: 1 888.764.7681
Phone: 914.934.2075
Fax: 914.934.2190
MonoSystems.com

