

Poke Throughs System INSTALLATION

Poke Throughs

Manufactured by MonoSystems, Inc.

INSTALLATION INSTRUCTIONS

Notes

- 1.) Use in concrete floors from 2-1/4" to 7" in thickness.
- 2.) For use with 4" core hole.
- 3.) Meets or exceeds UL514A & 514C scrub water requirements.

POKE THROUGH ASSEMBLIES: Outlet Boxes and Fittings

Type P Series factory assembled to an above floor service fitting (including wired 20A receptacles). For use in 1, 1½ and 2 hour rated unprotected reinforced concrete floors, or in 1, 1½, and 2 hour rated floors employing steel form units and concrete topping, or concrete floors with suspended ceiling. (Fire resistance designs with suspended ceilings should have provisions for accessibility in the ceiling area below the Poke Through fittings.)

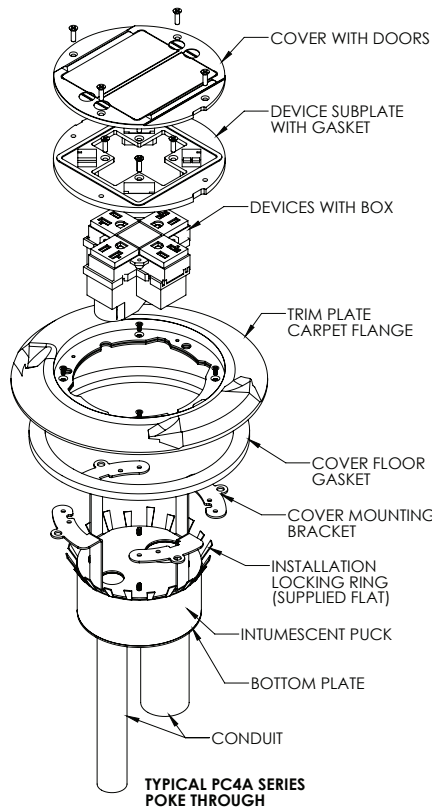
The assembled Poke Through device and fitting will not reduce the rating of the floor assembly when the thickness and type of concrete (required for a specific rating) are within the specified limits, and the device is installed as specified.

- 1.) Concrete: Minimum thickness of structural concrete topping if 2 ¼" over metal deck or a minimum 3" thick reinforced concrete slab. Unit weight of concrete to be 113 to 155 pounds per cubic foot.
- 2.) Installation: Mounted in 4" diameter drilled holes in concrete per instructions accompanying Poke Through fitting, outlets boxes and abandonment fittings.
- 3.) Spacing: Minimum of 2 feet on centers and not more than one unit per each 65 square foot floor area in each span.

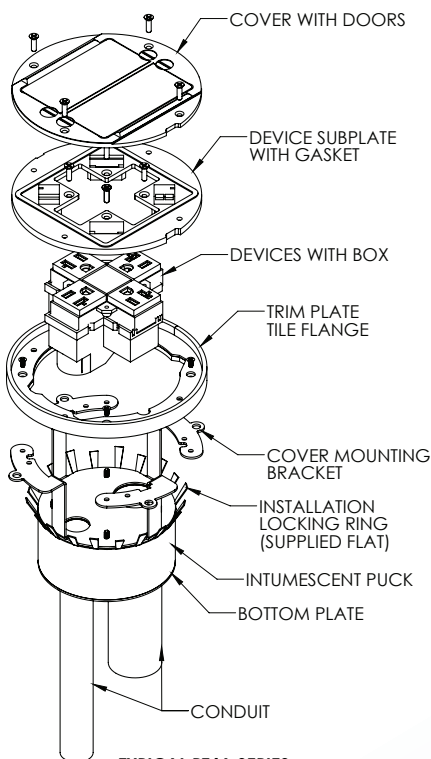
Installation Instructions:

- 1.) Notice: For installation by a qualified electrician in accordance with national and local electrical codes and the following instructions. A junction box (not provided) is required for power and lighting circuits. Note: Internal gasket must be installed in Poke Through when unit is not in use, and doors are in the closed position.
- 2.) Check that all device types and ratings are suitable for installation.
- 3.) Caution: Use copper conductors only.
- 4.) Select conductors having 90 degree C or higher rated insulation and sufficient ampacity in accordance with the 60 degree C column of National Electric Code Table 310-16 or Canadian Electric Code Table 2.
- 5.) Notice: Not intended to be used in high traffic installations and not intended to be used as a support for furniture.

(Instructions continue on next page)



TYPICAL PC4A SERIES
POKE THROUGH



TYPICAL PT4A SERIES
POKE THROUGH

4 International Drive
Rye Brook, NY 10573
Toll Free: 1 888.764.7681
Phone: 914.934.2075
Fax: 914.934.2190
MonoSystems.com



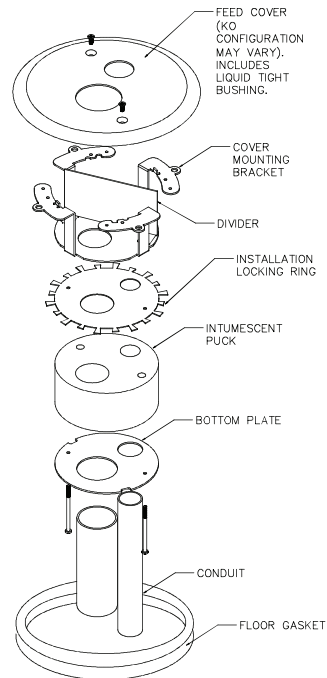
Poke Throughs System

INSTALLATION

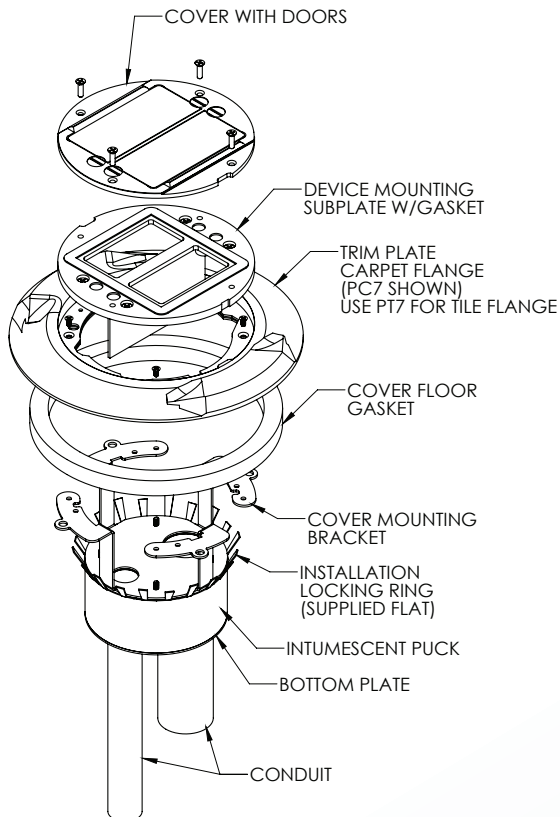
Poke Throughs

Manufactured by MonoSystems, Inc.

INSTALLATION INSTRUCTIONS



TYPICAL P9A SERIES
POKE THROUGH



TYPICAL P7A SERIES
POKE THROUGH

Carpet Flange Cover: (PC* Series)

- 6.) Drill a 7" diameter hole in carpet.
- 7.) Core drill a 4" diameter hole through concrete floor.
- 8.) Use provided gasket or apply ¼ thick continuous bead of the electric grade type RTV silicone sealant compound fully around the perimeter on the underside of the flange, such that a complete and watertight seal is created.
- 9.) Notice: Section 800-52(a) (2) of the National Electrical Code forbids power conductors sharing a common compartment with the communication conductors.
- 10.) Push Poke Through into core hole until service fitting is flush with floor.
- 11.) Terminate all wiring per local codes.
- 12.) For supplemental secure to floor, appropriate anchors may be fastened into the floor through the holes provided in the unit. Ensure that properly sized anchors are used (by others).

TILE FLANGE COVER ASSEMBLY

- 13.) Core drill a 4" diameter hole through the concrete floor.
- 14.) Follow steps 8 through 11.
- 15.) Install tiles around the periphery of the flange. Seal entire periphery such that it is completely watertight.

CARPET FLANGE COVER ASSEMBLY for installation onto existing tile or finished floor:

- 16.) Core drill a 4" hole through concrete floor.
- 17.) Core drill or cut a 5.75" diameter hole through x 1/8" deep concentric to 4" core hole.
- 18.) Follow steps 8 through 11.

WIRING:

- 19.) For Pre-Wired Poke Throughs: Attach appropriately sized electrical box to end of conduit using a properly sized bushing. Terminate all wiring to branch circuit wiring in accordance with NEC and local codes. Ensure that all components of system are properly grounded per NEC and local codes.

Note: When a GFCI receptacle is installed in the P7* Series Poke Through, provided spacers must be used between the GFCI device and the underside of the Poke Through mounting. This will ensure proper door closure.

4 International Drive
Rye Brook, NY 10573
Toll Free: 1 888.764.7681
Phone: 914.934.2075
Fax: 914.934.2190
MonoSystems.com



Poke Throughs System INSTALLATION

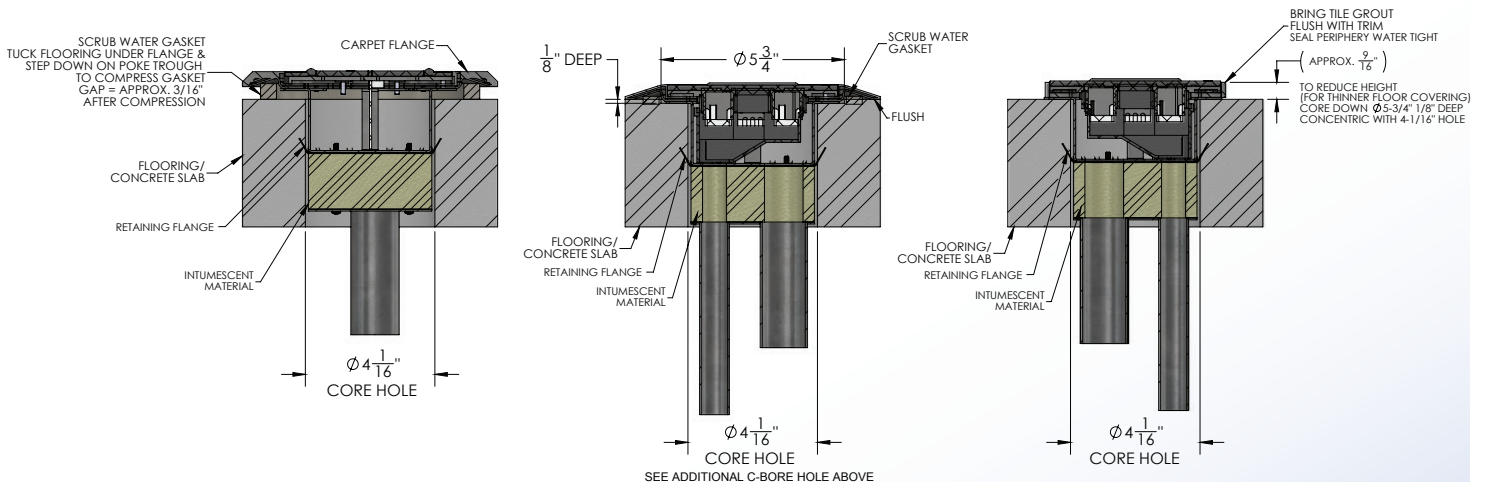
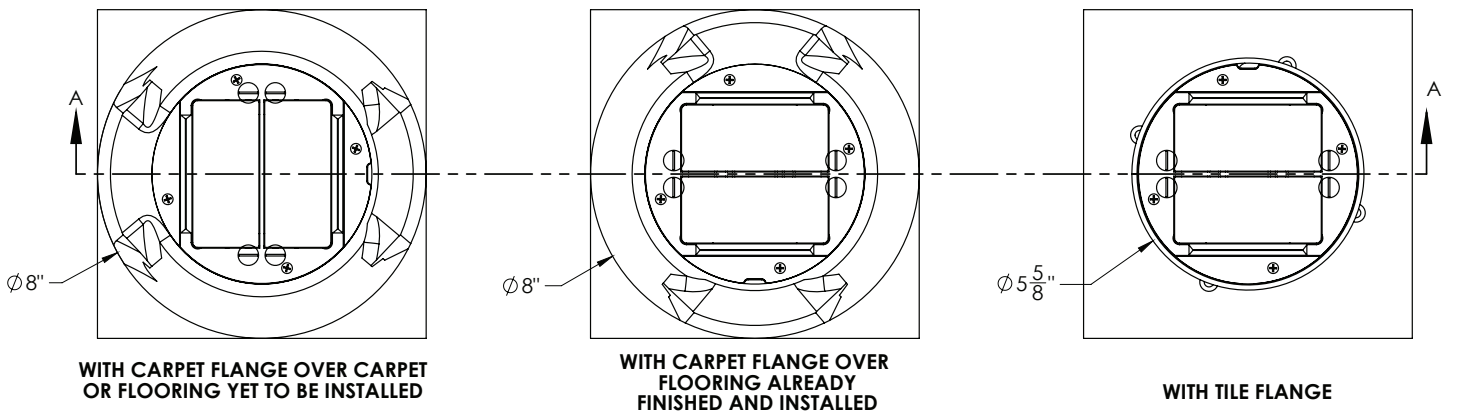
Poke Throughs

Manufactured by MonoSystems, Inc.

INSTALLATION INSTRUCTIONS

Notes

- 1.) Unless otherwise noted, drawing units are in inches.
- 2.) Poke through construction shown for reference.
- 3.) Recommended core drill hole to be 4-1/16" in finished diameter.



4 International Drive
Rye Brook, NY 10573
Toll Free: 1 888.764.7681
Phone: 914.934.2075
Fax: 914.934.2190
MonoSystems.com

