

Cable Tray / J-Tray™ INSTALLATION

J-Tray™ Install

Manufactured by MonoSystems, Inc.

INSTALLATION INSTRUCTIONS:

Support Notes:

Installing J-Tray

To install the J-Tray there is two methods:

- 1.) Slide the H-433-AB-10 into the J-Hooks and continue to slide through the mounted J-Hook until the tray is fully supported by the J-Hooks
- 2.) Unlatch the wire bar from its locked position on the J-Hooks, place the J-Tray inside the J-Hooks making sure that it is evenly distributed within the span of the J-Hooks.
- 3.) Return the Wire bar to its original locked position on the J-Hook.

Ways to mount the J-Hook:

- 1.) Mount to wall using # 10 hardware for the upper hole and 1/4-20 hardware for the square hole in the back of the hook.
- 2.) Hang the hook from the hole in the top by using a 1/2" threaded rod and two 1/2" nuts, J-Hook can also be hung back-to-back using a MonoSystems hanging bracket and a 1/4-20 x1/2" carriage bolt and nut in the square holes.
- 3.) Attach to an I beam using the hammer on beam clamp or the normal beam clamp made by MonoSystems, which uses a 1/4-20x1/2" hex bolt in the square hole in the back of the hook
- 4.) Mounted to MonoMesh using a TM-CPL-JN3 made by MonoSystems

The J-Hook is sold separately from the J-Tray.

J-hooks to be no more than 5 feet apart from one another when supporting the J-Tray. If using fittings, J-Hooks must be no more than 6 inches from each side of the fitting. J-Trays can be tiered by using the locking mechanism on the top and bottom of the J-Hooks to create multiple layers.

Coupling Instructions

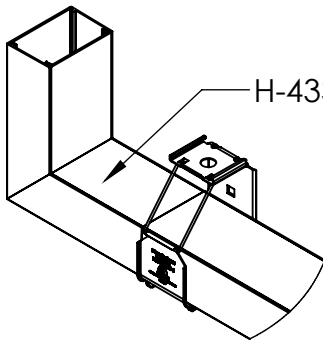
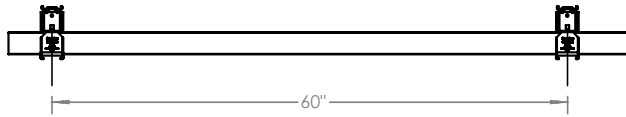
Each base section will come with one coupling and each fitting will come with the proper amount of Couplings in order to use the fitting properly. Each fitting is sold separately. To use the couplings slide the metal plate into the channel at the bottom of the H-433-AB, center the Coupling plate between the two pieces of tray, secure the coupling plate by screwing down the #8-32 pan head securment hardware. It is a pressure fit.

Cover Installation

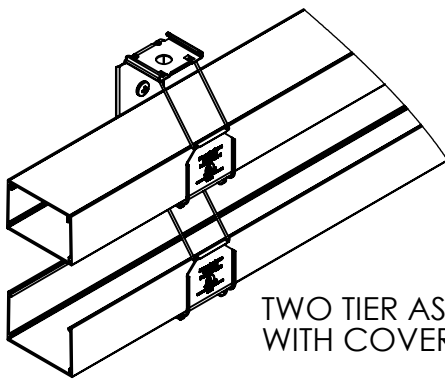
The J-Tray cover is sold separately from the base. To secure the cover, align with the base and push until the cover snaps onto the base.

Adding Wire to Tray

1. When adding wires to the tray, hold the tray steady to prevent swaying.
2. If only adding wire to a small stretch of tray, place wire bar of J-Hook in the open position, place wires into the tray and then return wire bar to the closed position.
3. If there is a large amount of tray, start at one end and pull the wires through the length of the tray. Be cautious when pulling the wire over the splice plates.
4. The tray should only be used with a 40% fill rate and only support 70 lbs between two adjacent J-Hooks



H-433-AB-IV90 WITH COVER



TWO TIER ASSEMBLY ONE WITH COVER ONE WITHOUT

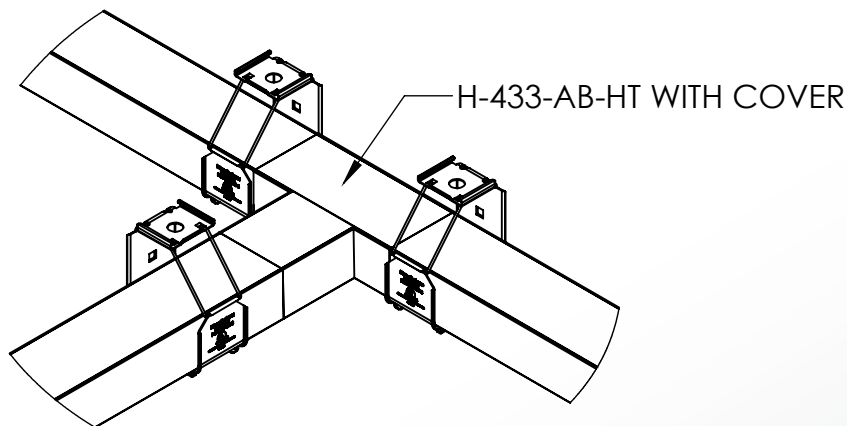
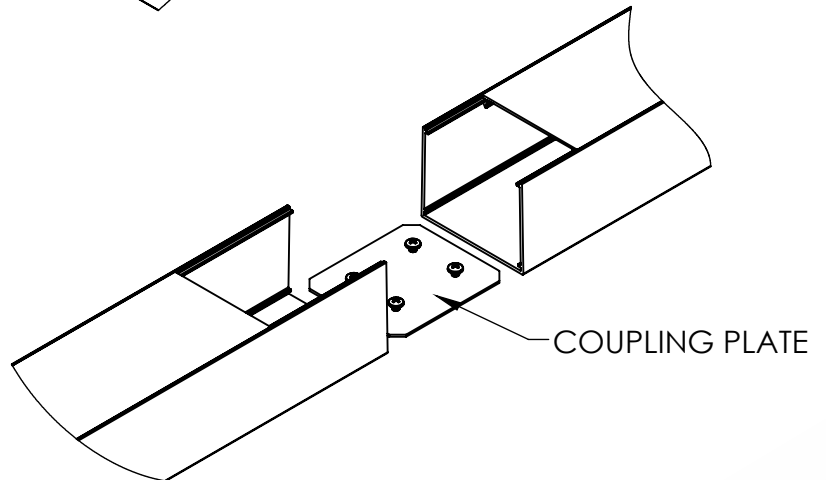
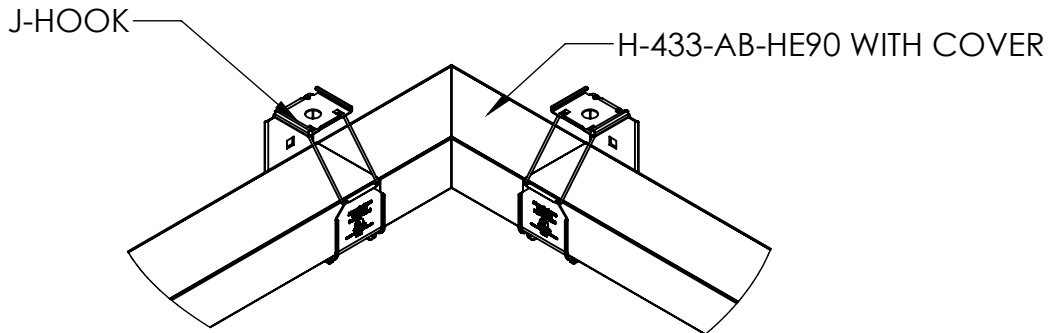
4 International Drive
Rye Brook, NY 10573
Toll Free: 1 888.764.7681
Phone: 914.934.2075
Fax: 914.934.2190
MonoSystems.com



Cable Tray / J-Tray™ INSTALLATION

J-Tray™ Install

Manufactured by MonoSystems, Inc.



4 International Drive
Rye Brook, NY 10573
Toll Free: 1 888.764.7681
Phone: 914.934.2075
Fax: 914.934.2190
MonoSystems.com

