

The Hook™

The World's Only Patented,* Zero-Hardware, Infinitely Linkable J-Hook System.

*The Hook holds US & International Patents



Color-coded sleeves may be applied to designate pathways and are easy to keep in inventory for future installations.

Advancement in digital technology yields more cabling in your infrastructure than ever before. From voice and data, to security, building automation, and life safety systems – **today's wide range of low-voltage media and applications call for better, faster and easier cable management solutions.**

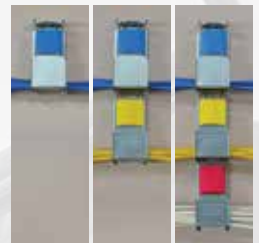
The most innovative j-hook system!

Unlike hooks that require additional brackets to create tiered channels, The Hook features a patented, ground-breaking design that simplifies the add-on process.



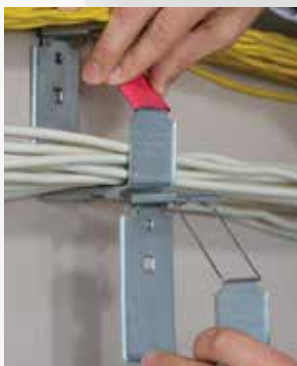
Infinite Link Detail

It's the only J-Hook that can infinitely link together without the need for additional hardware, creating a secure, tiered cable support system for easily segregating cabling media in separate pathways to prevent crossover.



It's simple to add a path!

It's easy to add more pathways ...



1. Line-up the link channels



2. Slide the Hook into the link channel



3. Lock in place



Features and Benefits:

- Available in 2 sizes to accommodate the needs of any installation
- Complete line of accessories allow for ease and flexibility of installation
- Simple labor and material saving means of separating various wire or cable installations such as fire, security, video, communications, power
- Fewer parts and pieces required in-field or to maintain inventory
- Greener solution: less material required than most other wire/cable management solutions
- Separates pathways to prevent crossover
- Integrated wire retainer clip provides added protection and security
- Wide bottom helps alleviate pressure points on your cabling
- Radiused edges prevent damage to cabling while protecting the installer from injury

Easier to Install. Easier to Handle!

Whether you install on its own or in groups, The Hook may be mounted to virtually any surface or back-to-back using a simple center hanging plate.



The Hook secures easily to:

Walls, Beams, Threaded rod, Trusses, Cable trays, Rack systems, plus much more.



With fewer parts and accessories, The Hook is simple to order and inventory with no prior planning or lead times.

The Hook at a Glance

Both sizes of The Hook from MonoSystems are designed with a sturdy 2-inch wide cable bearing surface. Available in zinc-plated or stainless steel, The Hook is a high-quality and fully-compliant cable management solution designed with radiused edges to prevent cable damage and ensure maximum reliability for today's structured cabling systems.



- Easiest j-hook to install
- Snap-on tiers with ZERO additional hardware or brackets
- Holds all types of cables and inner duct
- The Hook is plenum rated
- Superior fill capacity
- Available in both steel and stainless steel

H-233

Fill Capacity

Cat 5E - 75 | Cat 6 - 50 | Cat 6A - 30 | Cat 7 - 21

Load Capacity

60lbs.*

H-433

Fill Capacity

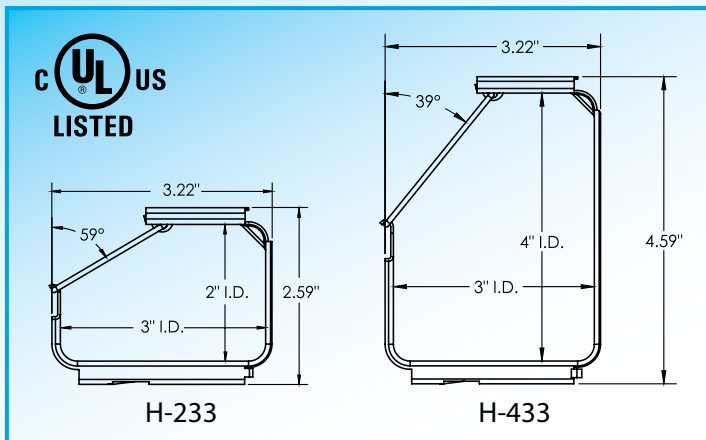
Cat 5E - 150 | Cat 6 - 100 | Cat 6A - 60 | Cat 7 - 42

Load Capacity

100lbs.*

* The static load for each hook is divided by the number of additional hooks when not using additional hardware during installation. Example: For H-433-S, 4 hooks would have a maximum load of 25lbs each.

Dimensional Drawings



Sold directly by MonoSystems. Please send RFQ's to Quotes@MonoSystems.com

Specify The Hook by name or by its design attributes. For more information on specifying The Hook and to download The Hook Specifications, Cut Sheets and Revit Objects, visit MonoSystems.com or call us at: **888.764.7681**.

For **FREE samples** of The Hook, or other MonoSystems products, e-mail us at: **Samples@MonoSystems.com**

By specifying The Hook, you get a product that complies with the latest Buy American provisions of the American Recovery and Reinvestment Act (ARRA).



MonoSystems, Inc.
4 International Drive
Rye Brook, NY 10573
Toll Free: 888.764.7681
Phone: 914.934.2075
MonoSystems.com