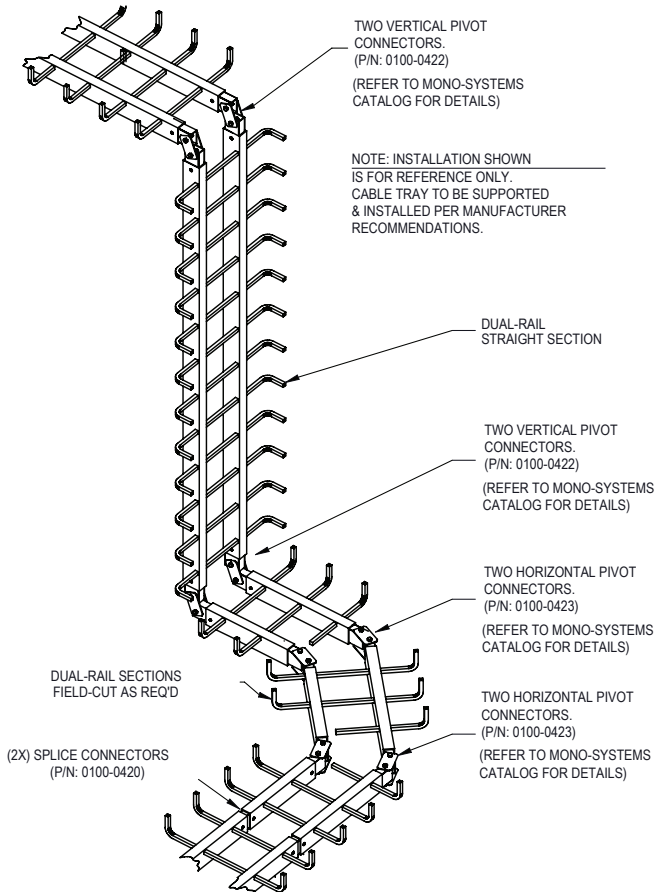


# Tray / Center Spine DUAL-RAIL (INSTALL)

**MonoTray™ Dual Rail**  
Manufactured by MonoSystems, Inc.

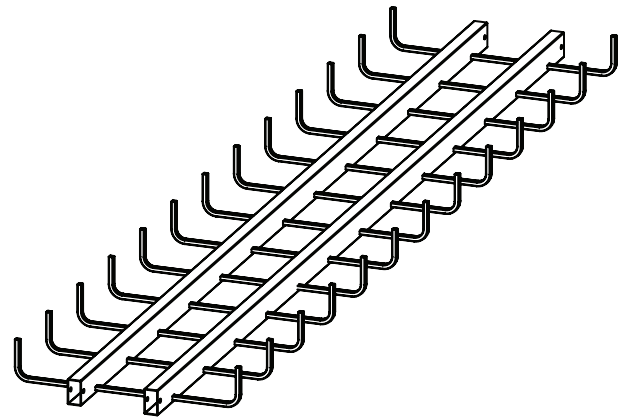
## INSTALLATION INSTRUCTIONS

### DUAL-RAIL CONNECTOR INSTALLATION

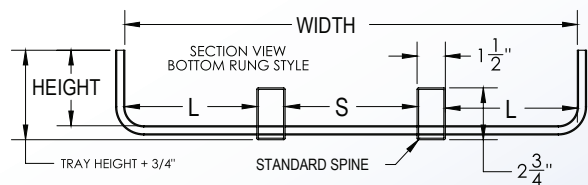
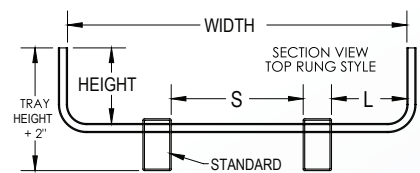
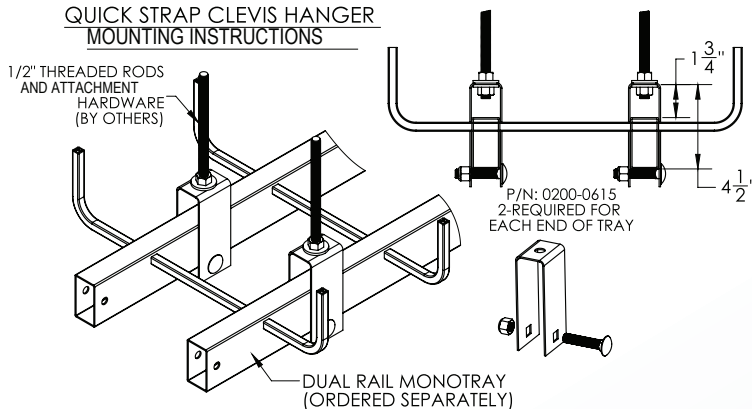


### INSTALLATION INSTRUCTIONS:

- 1.) MOUNT TRAY USING A BOX BEAMS OR THREADED RODS (BY OTHERS). ATTACH TO ACCESSORY AS SHOWN.
  - 2.) SEE CATALOG CUT SHEETS OR SPEAK WITH MONOSYSTEMS FOR ADDITIONAL DUAL RAIL MONO TRAY INSTALLATION ACCESSORIES AND FITTINGS.
- \* THE ENGINEER SHOULD EVALUATE EACH INSTALLATION BASED ON THE LOAD REQUIREMENTS AND EXISTING SUPPORT STRUCTURE.



### QUICK STRAP CLEVIS HANGER MOUNTING INSTRUCTIONS



4 International Drive  
Rye Brook, NY 10573  
Toll Free: 1 888.764.7681  
Phone: 914.934.2075  
Fax: 914.934.2190  
MonoSystems.com



# Tray / Center Spine DUAL-RAIL (INSTALL)

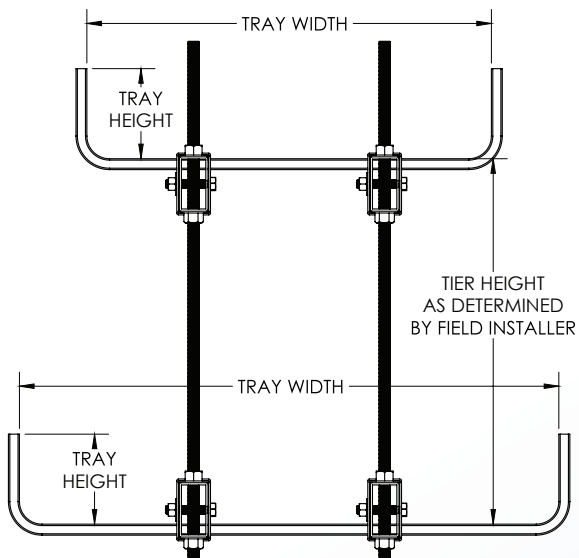
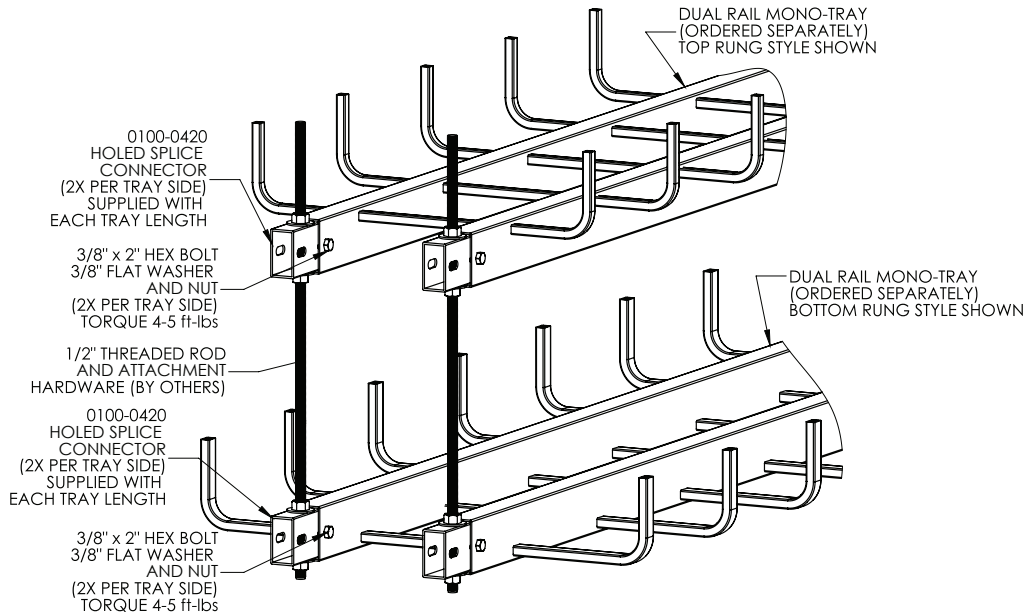
**MonoTray™ Dual Rail**  
Manufactured by MonoSystems, Inc.

## INSTALLATION INSTRUCTIONS

### DUAL RAIL MONOTRAY STACKED INSTRUCTIONS INSTALLATION OPTIONS FOR VERTICAL STACKING OF MULTIPLE TIERS OF BOTTOM AND/OR TOP RUNG DUAL RAIL MONO-TRAY

**INSTALLATION:**

1. SECURE 0100-0420 HOLED SPLICE CONNECTOR IN PLACE TO THREADED ROD USING 1/2" ATTACHMENT HARDWARE (BY OTHERS) ON TOP AND BOTTOM OF CONNECTOR.
2. ATTACH DUAL RAIL TRAY TO HOLED SPLICE CONNECTORS (TWO ON EACH END OF TRAY) USING 3/8" HARDWARE AS SHOWN.



4 International Drive  
Rye Brook, NY 10573  
Toll Free: 1 888.764.7681  
Phone: 914.934.2075  
Fax: 914.934.2190  
MonoSystems.com

