

Cable Tray / Trough Tray INSTALLATION

TroughTray™ Accessories
Manufactured by MonoSystems, Inc.

INSTALLATION INSTRUCTIONS

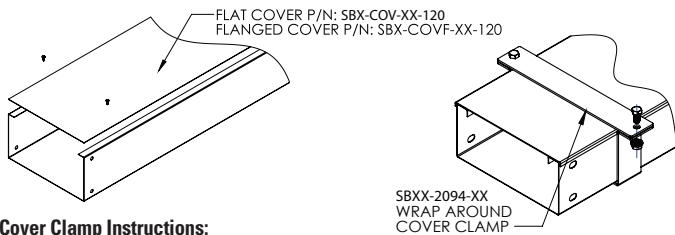
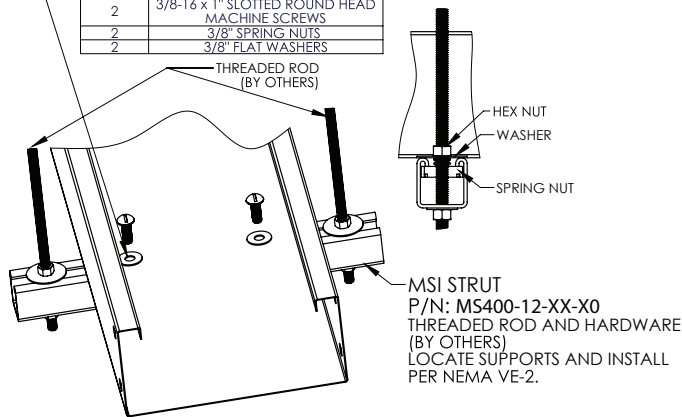
General Installation Guidelines:

For more information refer to the latest NEMA standards and local building codes.

Trough Tray field support and frequency depends on the weight and construction (splice locations, elbow fittings, etc.) of the tray being mounted. Supports should provide strength and working load sufficient to the load requirements of the cable tray system being supported. Structural building members should never be cut, and cable trays should not be installed in hoist ways or where subject to physical damage. Cable tray systems are to be installed so that they are accessible. If possible, leave 12" [300mm] of space minimum free above and to the side of the tray to allow for cable installation and maintenance.

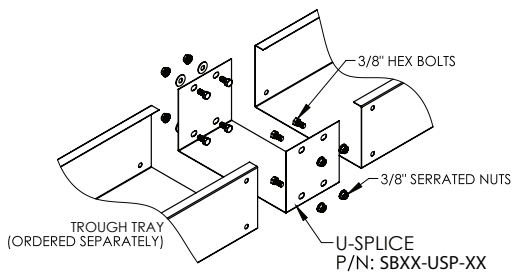
TRAY TO STRUT MOUNTING
FIELD DRILL HARDWARE CLEARANCE HOLES FOR 3/8" HARDWARE IN BOTTOM OF TRAY WHERE REQUIRED. FASTEN TROUGH TRAY TO SUPPORTS WITH SB-MHW.

| EACH SB-MHW INCLUDES: | |
|-----------------------|---|
| QTY | DESCRIPTION |
| 2 | 3/8-16 x 1" SLOTTED ROUND HEAD MACHINE SCREWS |
| 2 | 3/8" SPRING NUTS |
| 2 | 3/8" FLAT WASHERS |



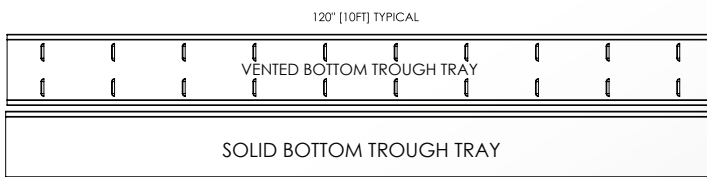
Cover Clamp Instructions:

- 1.) Use to hold Trough Tray cover in place. Recommended for outdoor applications
- 2.) To install: place 1 part of cover clamp around trough tray cover and tray assembly. Place 2nd part around opposite end of Trough Tray, align clamp holes and install hardware.
- 3.) Recommended torque: for 3/8" fasteners: 25-35 ft-lbs [33.9-47.5 N-m].



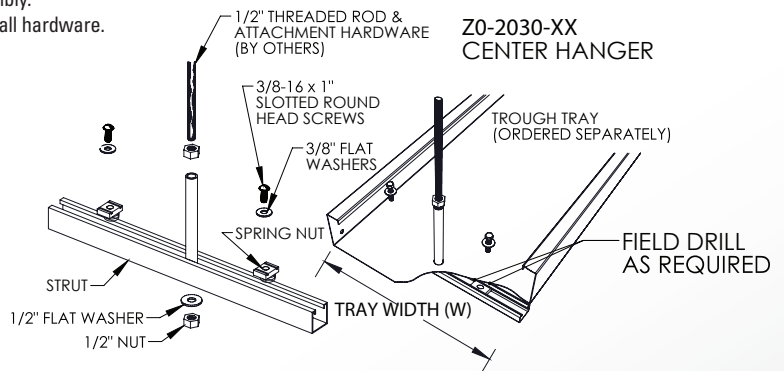
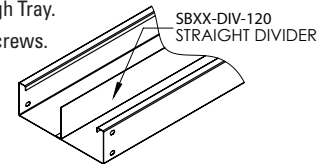
U-Splice Instructions:

- 1.) Use to junction tray sections together.
- 2.) Feed provided 3/8" x 3/4" hex head bolt thru tray and u-splice and attach 3/8" serrated nuts on outside of u-splice.
- 3.) Recommended torque: For 3/8" fasteners: 25-35 ft-lbs [33.9-47.5 N-m].
- 4.) If desired, additional holes may be field drilled in the bottom of the tray thru the c-splice and additional hardware (by others) attached.



Divider Instructions:

- 1.) Use to create multiple compartments in Trough Tray.
- 2.) Install using rivets, tek screws, or machine screws. Attachment hardware by others.
- 3.) For horz. divider use P/N: SBXX-2058



Center Hung Instructions:

- 1.) MonoSystems recommendations for center hung bracing is drilling a 1" dia. hole in the center of width of tray where you will insert the center tray hanger. Install spring nuts in strut portion of center hanger. Field drill bottom 7/16" dia. hole on solid bottom 1" from inside edge. Install 3/8" bolt with 3/8" flat washer through solid bottom and tighten into spring nut. Secure center hanger with 1/2" hardware.

4 International Drive
Rye Brook, NY 10573
Toll Free: 1 888.764.7681
Phone: 914.934.2075
Fax: 914.934.2190
MonoSystems.com



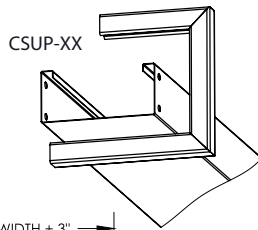
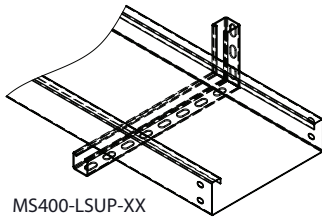
Cable Tray / Trough Tray INSTALLATION

TroughTray™ Accessories
Manufactured by MonoSystems, Inc.

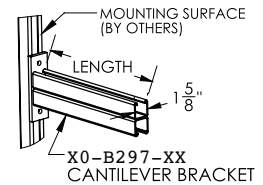
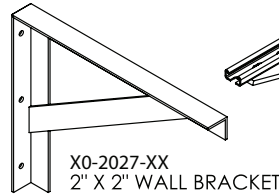
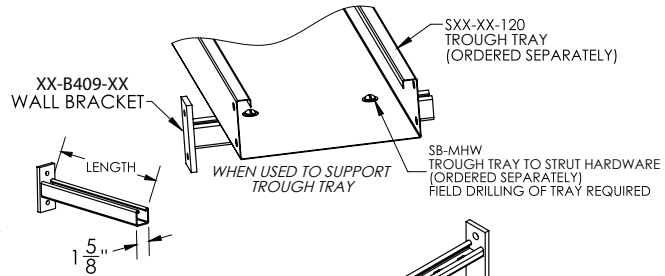
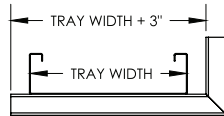
INSTALLATION INSTRUCTIONS

Mounting Bracket Instructions:

- 1.) Use to mount Trough Tray to a wall or perpendicular surface.
- 2.) 3/8" Or 1/2" mounting hardware by others.
- 3.) Fasten tray to wall mounted strut support (hardware by others).

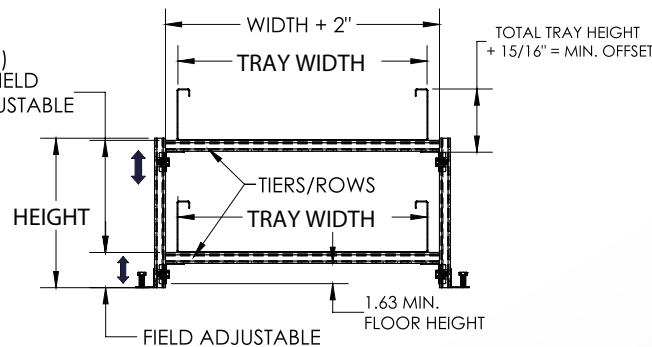
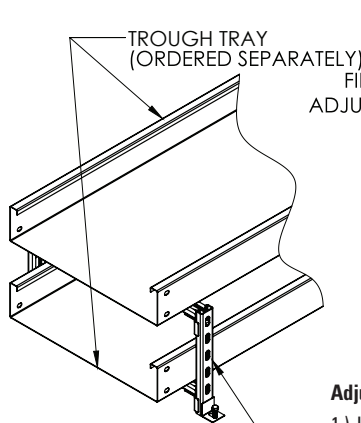
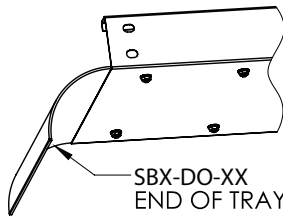


WALL MOUNTING SOLUTIONS



Cable Drop Out Instructions:

- 1.) Use to exit cables at end of trough run.
- 2.) Align drop out at end of tray. Mark hole locations in tray using drop out as a template. Remove and field drill 5/16" holes. Install dropout to tray using supplied 1/4-20 hardware as shown.



Adjustable Multi-Tier Floor Support Instructions:

- 1.) Use to mount one to four tiers of trough tray to a flat level mounting surface
- 2.) Each support provided as (2x) vertical support posts to specified height and (1 - 4) horizontal shelf brackets provided to specified width. Shelf bracket to vertical support post hardware provided.
- 2.) Mount assembly to floor using 3/8" hardware (by others).
- 3.) Multi-tier system is universal and also suitable for Power Tray, Mono Rack, or Trough Tray products.

4 International Drive
Rye Brook, NY 10573
Toll Free: 1 888.764.7681
Phone: 914.934.2075
Fax: 914.934.2190
MonoSystems.com



Cable Tray / Trough Tray INSTALLATION

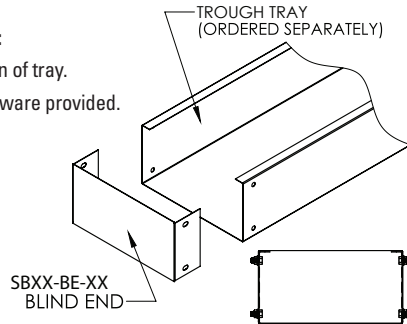
TroughTray™ Accessories

Manufactured by MonoSystems, Inc.

INSTALLATION INSTRUCTIONS

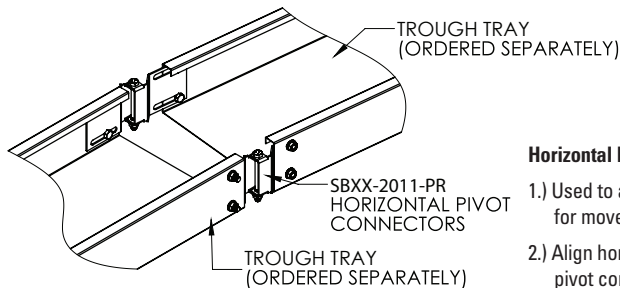
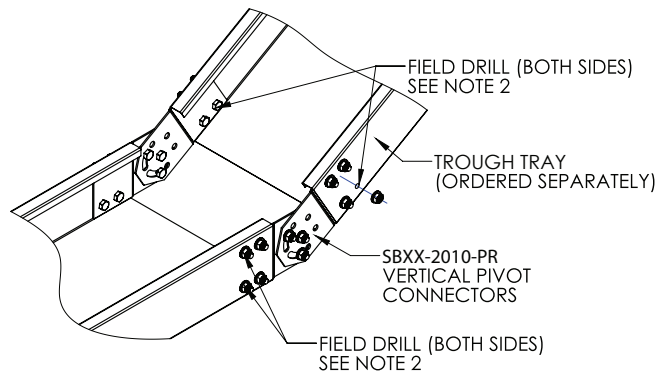
Blind End Instructions:

- 1.) Use to terminate run of tray.
- 2.) 3/8" Mounting hardware provided.



Vertical Pivot Connector Instructions:

- 1.) Use to make vertical pivots using straight length trays.
- 2.) Align vertical pivot connector to outside side rail, mark and drill outer 3/8" clearance holes. Install vertical pivot connectors inside tray using supplied 3/8" hardware as shown

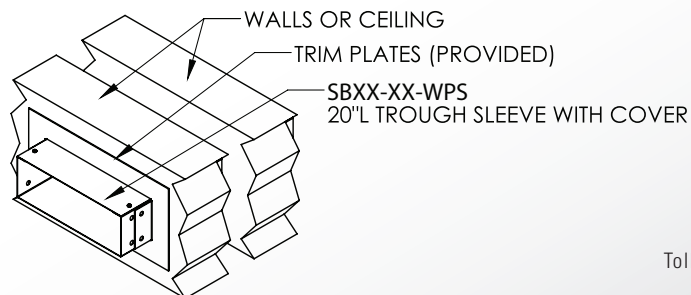


Horizontal Pivot Connector Instructions:

- 1.) Used to accommodate changes in horizontal direction up to 6°. Mounting slots allow for movement when positioning desired angle.
- 2.) Align horizontal pivot connector to mounting locations at end of tray. Install horizontal pivot connectors inside tray using supplied 3/8-16 hardware as shown.

Wall Penetration Connector:

- 1.) Used to accommodate wall penetrations.
- 2.) Includes: (1) 20" long trough tray base and cover section, cover tek screws and (2) trim plates.
- 3.) Splice connection plates and mounting hardware ordered separately.



4 International Drive
Rye Brook, NY 10573
Toll Free: 1 888.764.7681
Phone: 914.934.2075
Fax: 914.934.2190
MonoSystems.com

