

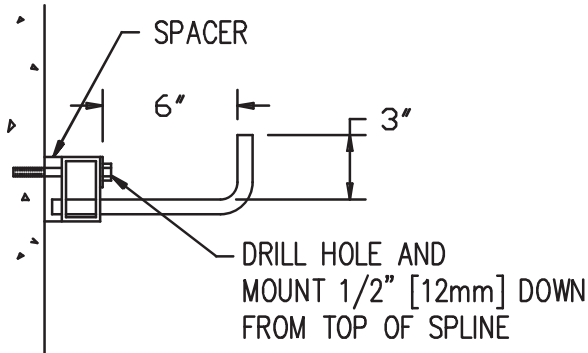
# Wall-Rack INSTALLATION

## Wall-Rack Install

Manufactured in the USA by MonoSystems, Inc.

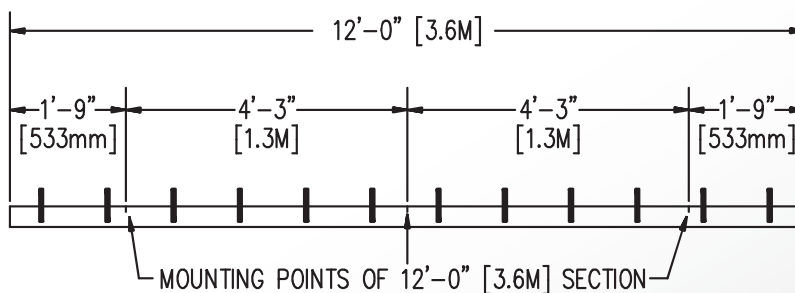


### INSTALLATION INSTRUCTIONS:



FILE: E80034  
VOL.3

- 1.) Wall rack tray is designed for hanging with 3/8" (10mm) DIA anchors.
- 2.) Three anchors should be fastened approximately as shown. See drawing at right.
- 3.) Maximum load capacity of tray is 100 lbs./ft. per 12'-0" section. In Canada 3M CSA "C1" and "D1".
- 4.) When supporting tray on a concrete wall, expansion anchors must be used to give safety factor of 4.
- 5.) When supporting wall rack tray on a sheet rock hollow wall a 3/8" (10mm) DIA. Threaded rod should be mounted thru the wall with a sufficiently large fish-plate mounted on the far side. The fish-plate should be of sufficient area and thickness so that the pressure on the far wall exerted by the load in the tray is light enough so that it does not crush the wall.
- 6.) When tray mounted on a steel wall or columns, powder actuated heavy duty fasteners (drive pins) may be used provided pull or shear loads will give a safety factor of 4.
- 7.) Splice connectors with or without vertical holes may be used when hanging wall rack.
- 8.) Contractor is to use extra hangers whenever in doubt or for any unusual situation.
- 9.) Wall rack must be installed with 3 spacers per 12 ft. (3.6M) section (3M in Canada). Spacers provided with tray. See drawing at right. Anchor bolts must go through spaces.
- 10.) Cable tray shall be installed with complete access to allow cable to be laid directly into the tray without pulling.
- 11.) Lay heavy cables as far into the tray as possible.
- 12.) During and after installation of cable tray, care must be taken by all tradesmen not to hang from the tray rungs or walk on the tray.
- 13.) All nuts, bolts and washers are supplied with all fittings.
- 14.) See M-S "APPLICATION MANUAL MTD RAM.LIT-94" for further installation instructions.
- 15.) If a second contractor installs the cables, he should first check that the cable tray has been securely and properly installed by the first contractor as per M-S instructions prior to laying the cables.
- 16.) When pulling cable into tray, sufficient rollers and sheaves must be used so that the tray is not damaged.
- 17.) Tray mfd. by Mono-Systems, Inc., 4 International Drive, Rye Brook, N.Y. 10573 PH: (914)934-2075, Fax: (914)934-2190.



4 International Drive  
Rye Brook, NY 10573  
Toll Free: 1 888.764.7681  
Phone: 914.934.2075  
Fax: 914.934.2190  
MonoSystems.com

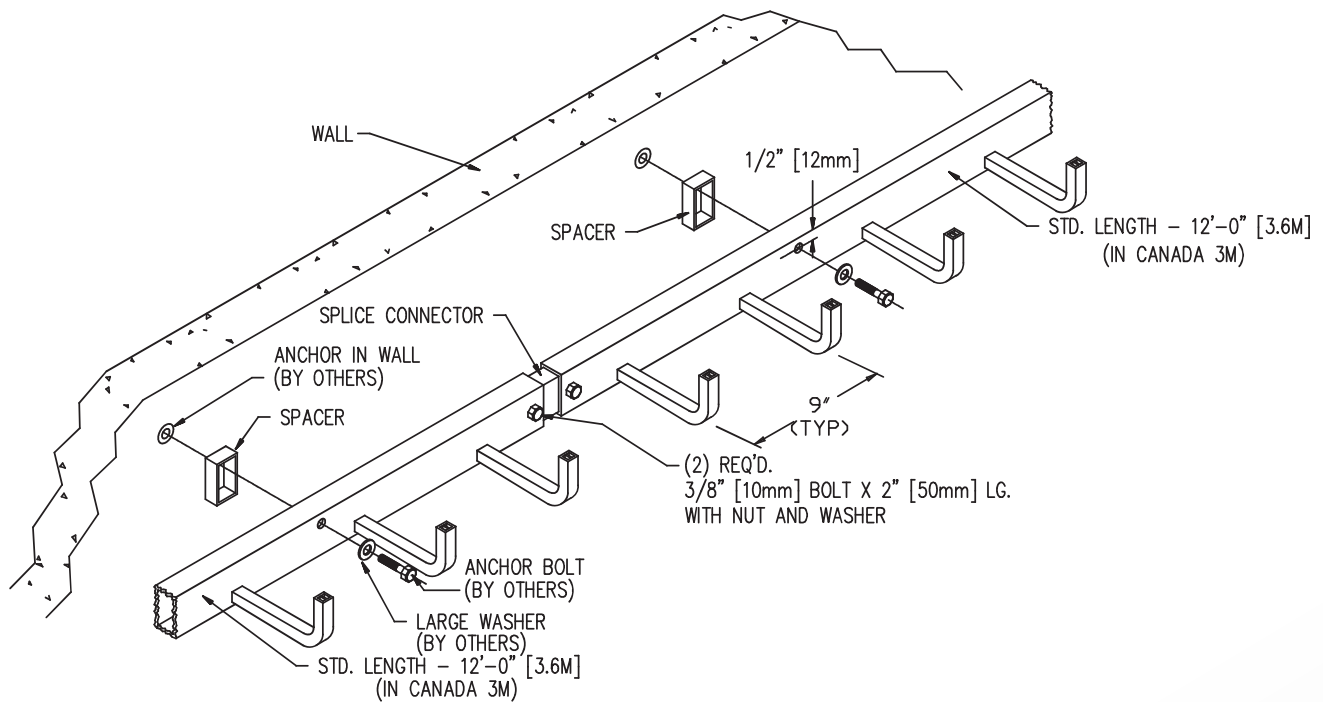


**MonoSystems**  
wire management. managed.

# Wall-Rack INSTALLATION

## Wall-Rack Install

Manufactured in the USA by MonoSystems, Inc.



4 International Drive  
Rye Brook, NY 10573  
Toll Free: 1 888.764.7681  
Phone: 914.934.2075  
Fax: 914.934.2190  
MonoSystems.com



**MonoSystems**  
wire management. managed.