

# Trough Tray ★ NEW

## Solid Cable Tray System

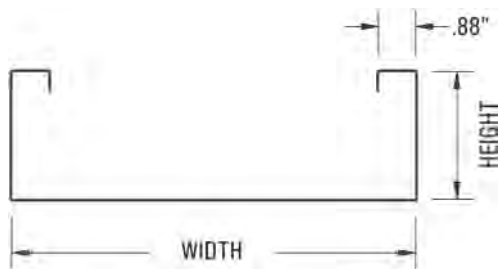
Mono-Systems, Inc Trough Tray provides overhead protection and concealment for a wide variety of wire and cabling installations. The solid bottom design is ideal for schools, hospitals, and retail environments. For additional protection against dirt and debris, optional covers are available to create a fully enclosed system. Trough Tray is available in galvanized steel, or durable aluminum.

### Aluminum and Steel Trough Tray



- Standard Tray Length: 120" (10' - 0").
- One U-Splice Connector and hardware supplied with each tray length.
- Standard NEMA Class 10A.
- Custom sizes are available. Please consult factory.

### Ordering Data



**SB - - 120**

MATERIAL	HEIGHT	WIDTH
A = ALUMINUM	3 - 3"	6 - 6"
P = GALVANIZED STEEL	4 - 4"	9 - 9"
	6 - 6"	12 - 12"
		18 - 18"
		24 - 24"

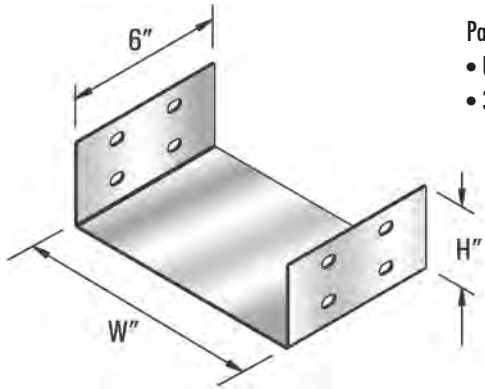
### Cover Ordering

To order Solid Covers for Trough Tray.

**SB - COV - - 120**

MATERIAL	WIDTH
A = ALUMINUM	6 - 6"
	9 - 9"
P = GALVANIZED STEEL	12 - 12"
	18 - 18"
	24 - 24"

## U-Splice Connector



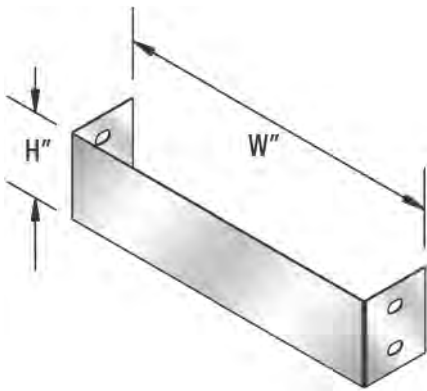
- Part Number**
- Use to junction tray sections together.
  - 3/8" Hardware provided.

### U-SPLICE CONNECTOR

Part Number
SB(m)(h)-USP-(w)

- (m) = Enter Tray Material  
 (h) = Enter Tray Height  
 (w) = Enter Tray Width

## Blind End



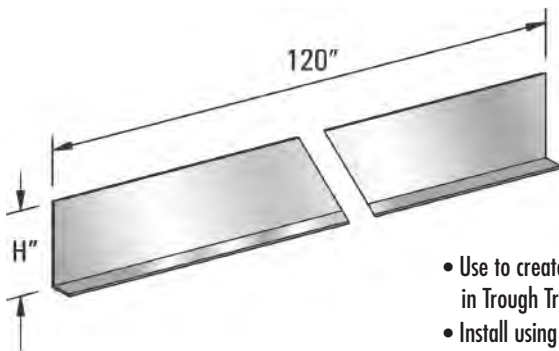
- Use to terminate run of tray.
- 3/8" Hardware provided.

### BLANK END

Part Number
SB(m)(h)-BE-(w)

- (m) = Enter Tray Material  
 (h) = Enter Tray Height  
 (w) = Enter Tray Width

## Divider Strip



- Use to create multiple compartments in Trough Tray.
- Install using rivets or machine screws nuts and washers. (Attachment and attachment hardware by others).

### DIVIDER STRIP

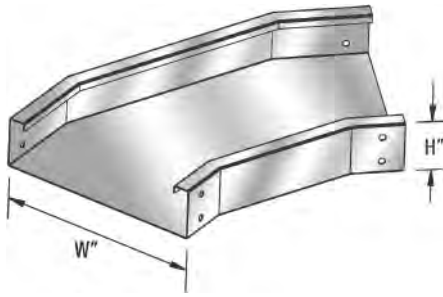
Part Number
SB(m)(h)-DIV-120

- (m) = Enter Tray Material  
 (h) = Enter Tray Height

# Trough Tray Cable Tray System

• All Fittings provide a 12" minimum Radius • U-Splice couplings provided with Fittings

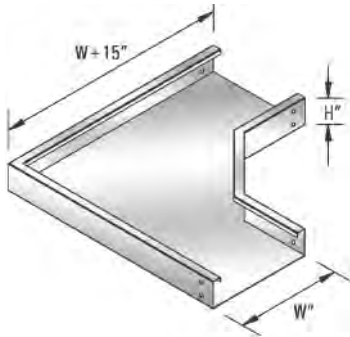
## Horizontal Elbow - 45 Degree:



HORIZONTAL 45 ELBOW	HORIZONTAL 45 ELBOW COVER
Part Number	Part Number
SB(m)(h)-HE45-12(w)	SB(m)-HE45-COV-12(w)

(m) = Enter Tray Material  
(h) = Enter Tray Height  
(w) = Enter Tray Width

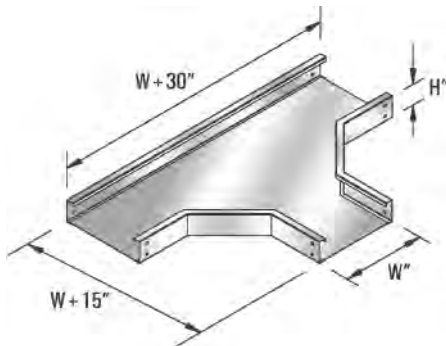
## Horizontal Elbow - 90 Degree:



HORIZONTAL 90 ELBOW	HORIZONTAL 90 ELBOW COVER
Part Number	Part Number
SB(m)(h)-HE90-12(w)	SB(m)-HE90-COV-12(w)

(m) = Enter Tray Material  
(h) = Enter Tray Height  
(w) = Enter Tray Width

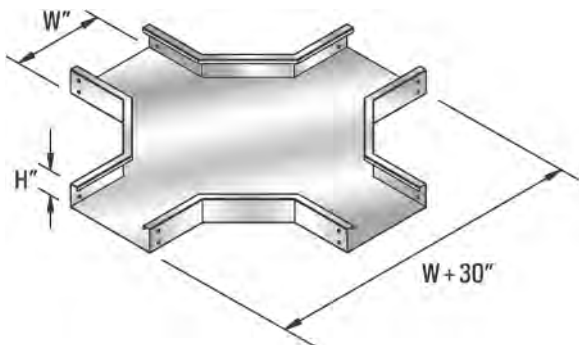
## Horizontal Tee



HORIZONTAL TEE	HORIZONTAL TEE COVER
Part Number	Part Number
SB(m)(h)-HT-12(w)	SB(m)-HT-COV-12(w)

(m) = Enter Tray Material  
(h) = Enter Tray Height  
(w) = Enter Tray Width

## Horizontal Cross



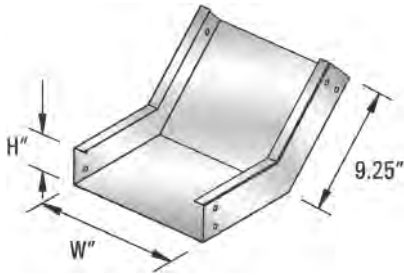
HORIZONTAL CROSS	HORIZONTAL CROSS COVER
Part Number	Part Number
SB(m)(h)-HC-12(w)	SB(m)-HC-12(w)

(m) = Enter Tray Material  
(h) = Enter Tray Height  
(w) = Enter Tray Width

# Trough Tray Cable Tray System

• All Fittings provide a 12" minimum Radius • U-Splice couplings provided with Fittings

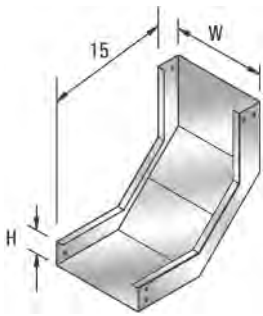
## Inside Vertical Elbow - 45 Degree:



INSIDE VERTICAL 45	INSIDE VERTICAL 45 COVER
Part Number	Part Number
SB(m)(h)-IV45-12(w)	SB(m)(h)-HE45-COV-12(w)

(m) = Enter Tray Material  
(h) = Enter Tray Height  
(w) = Enter Tray Width

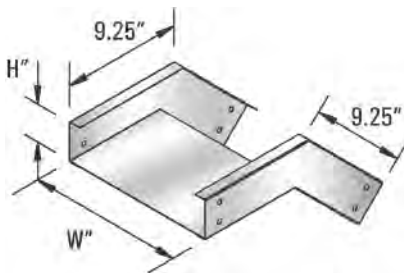
## Inside Vertical Elbow - 90 Degree:



INSIDE VERTICAL 90	INSIDE VERTICAL 90 COVER
Part Number	Part Number
SB(m)(h)-IV90-12(w)	SB(m)(h)-IV90-COV-12(w)

(m) = Enter Tray Material  
(h) = Enter Tray Height  
(w) = Enter Tray Width

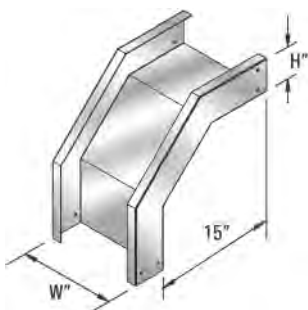
## Outside Vertical Elbow - 45 Degree:



OUTSIDE VERTICAL 45	OUTSIDE VERTICAL 45 COVER
Part Number	Part Number
SB(m)(h)-OV45-12(w)	SB(m)(h)-OV45-COV-12(w)

(m) = Enter Tray Material  
(h) = Enter Tray Height  
(w) = Enter Tray Width

## Outside Vertical Elbow - 90 Degree:



OUTSIDE VERTICAL 90	OUTSIDE VERTICAL 90 COVER
Part Number	Part Number
SB(m)(h)-OV90-12(w)	SB(m)(h)-OV90-COV-12(w)

(m) = Enter Tray Material  
(h) = Enter Tray Height  
(w) = Enter Tray Width