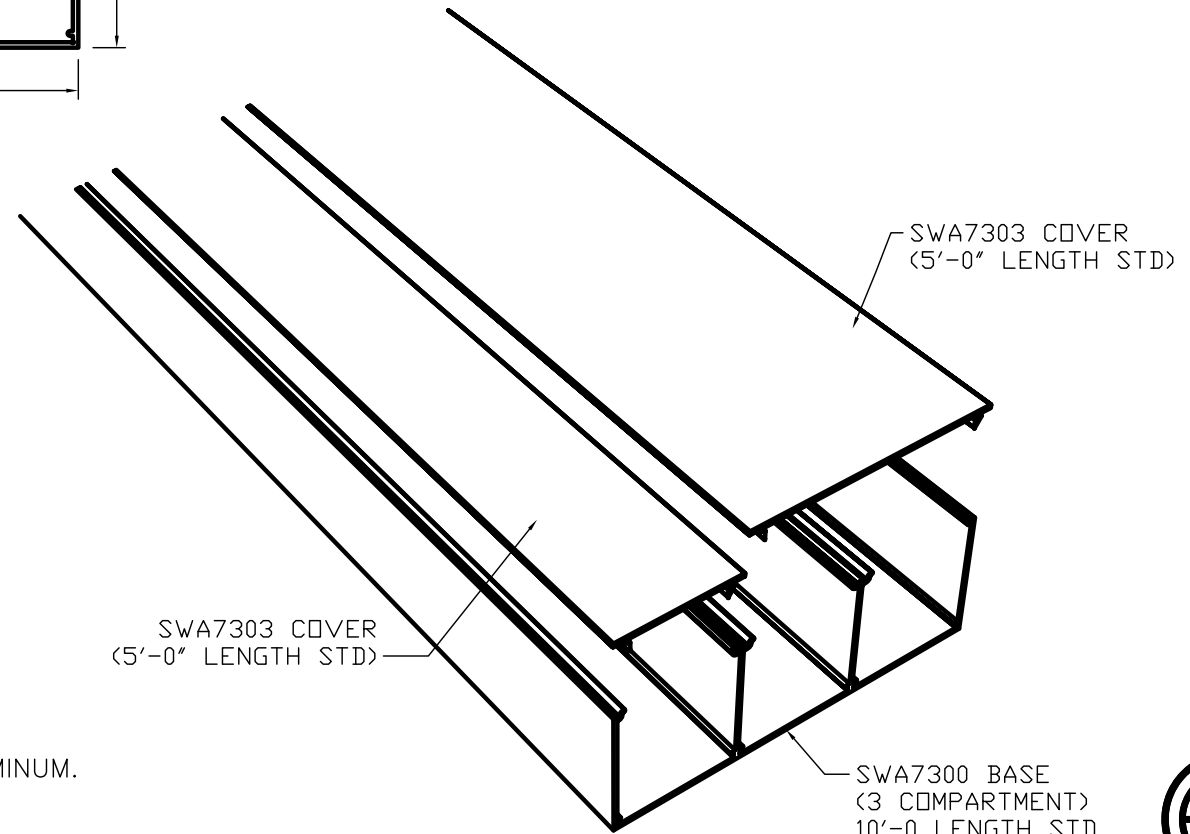


SWA7300 SERIES
ALUMINUM RACEWAY
SECTION VIEW
SATIN ANODIZED FINISH
(EACH ORDERED SEPARATELY)




SWA7303 COVER
(5'-0" LENGTH STD)

SWA7303 COVER
(5'-0" LENGTH STD)

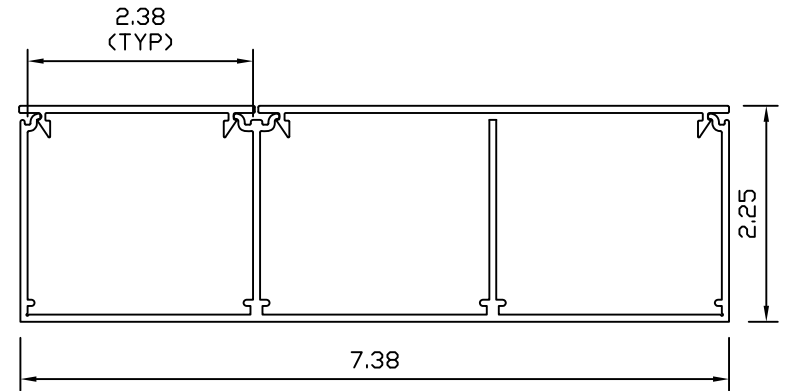
SWA7300 BASE
(3 COMPARTMENT)
10'-0" LENGTH STD

MATERIAL: #6063-T6 EXTRUDED ALUMINUM.
NOMINAL WALL THICKNESS 0.075".
FINISH: SATIN ANODIZED

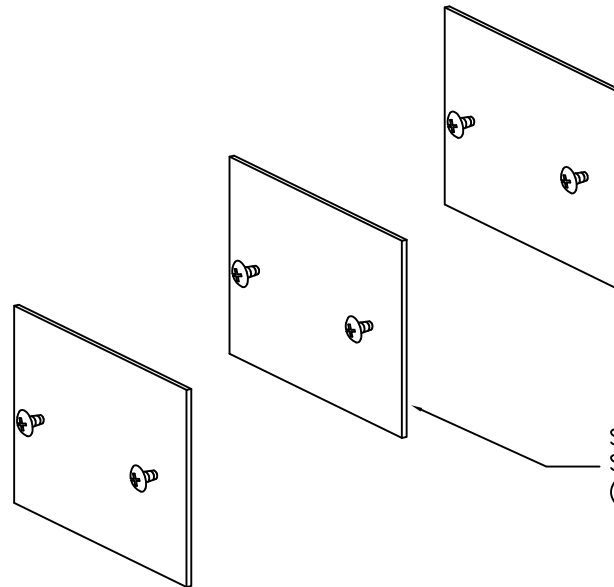


 MONO-SYSTEMS, INC. UNIQUE CABLE DISTRIBUTION SOLUTIONS	DRAWING TITLE: SWA7300 SERIES RACEWAY		DR. BY: JFM		
			APP'VD BY:		
PART NUMBER CS-SWA7300	BUFFALO OFFICE: 180 HOPKINS STREET BUFFALO, NEW YORK 14220 PHONE: (716)-821-1344 FAX: (716)-821-1345	CORPORATE OFFICE: 4 INTERNATIONAL DRIVE RYE BROOK, NEW YORK 10573 PHONE: (914) 934-2075 FAX: (914) 934-2190	PROJECT: ALUMINUM SURFACE RACEWAY	SCALE: NTS DATE: 12/30/2010	DWG. NO. CS-SWA7300 REVA

SWA7300 SERIES
SWA7302 - COUPLING



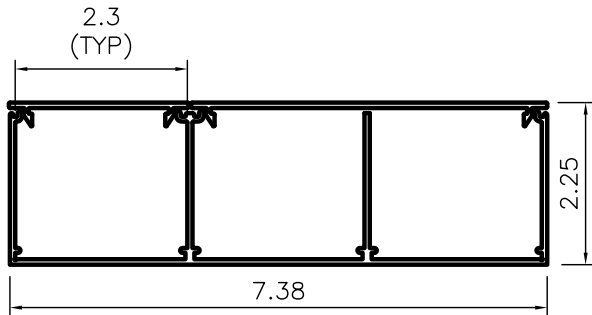
SWA7300 SERIES
ALUMINUM RACEWAY
SECTION VIEW
SATIN ANNOXIDIZED FINISH
(EACH ORDERED SEPARATELY)



SWA7302 - COUPLING
SOLD IN SETS OF THREE AS SHOWN
(ASSY. HARDWARE INC.)

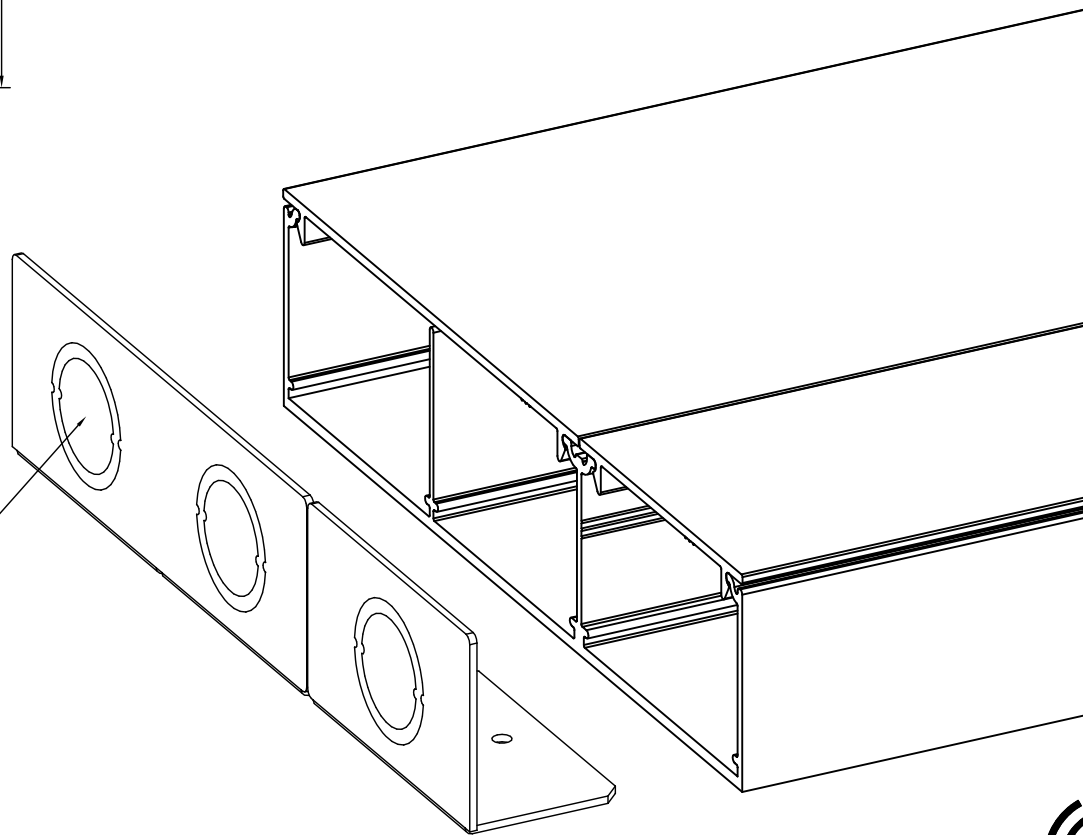



MONO-SYSTEMS, INC.
UNIQUE CABLE DISTRIBUTION SOLUTIONS
4 INTERNATIONAL DRIVE
RYE BROOK, NEW YORK 10573
PHONE: (914)-934-2075
FAX: (914)-934-2190

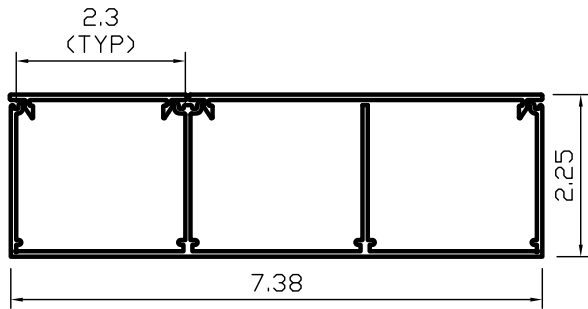


SWA7300 SERIES
ALUMINUM RACEWAY
SECTION VIEW
SATIN ANNOXIDIZED FINISH
(EACH ORDERED SEPARATELY)

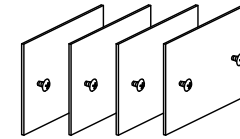
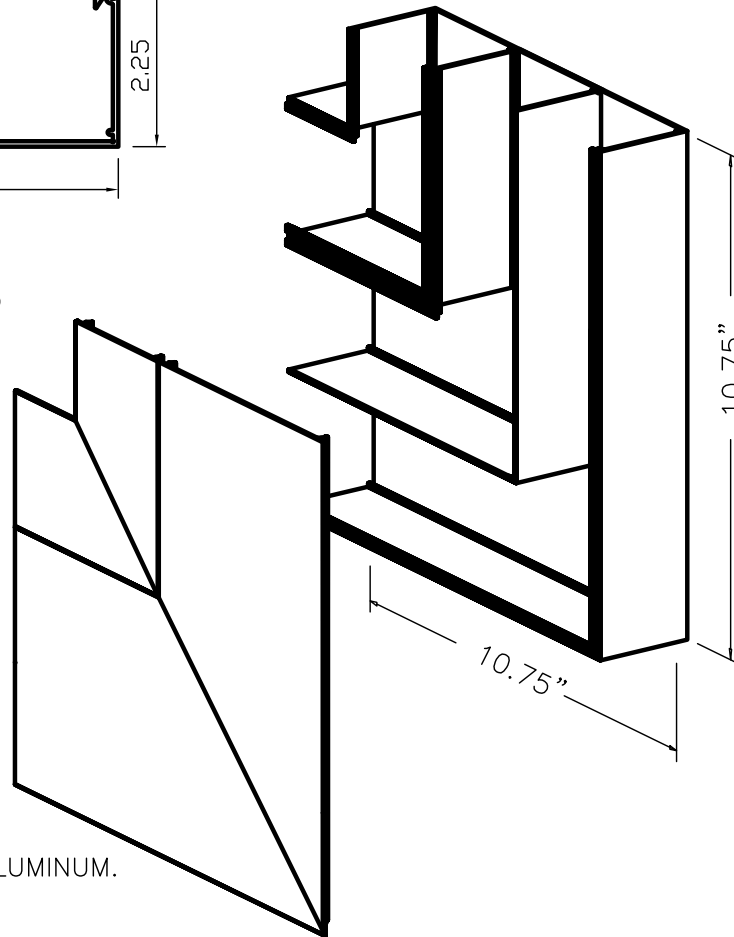
1/2" & 3/4"
TRADE KO's
(TYP)



 MONO-SYSTEMS, INC. UNIQUE CABLE DISTRIBUTION SOLUTIONS	DRAWING TITLE: SWA7300 SERIES RACEWAY BLANK / END FEED FITTING		DR. BY: JFM	
	PROJECT: ALUMINUM SURFACE RACEWAY		APPV'D BY:	
PART NUMBER CS-SWA7304	BUFFALO OFFICE: 180 HOPKINS STREET BUFFALO, NEW YORK 14220 PHONE: (716)-821-1344 FAX: (716)-821-1345	CORPORATE OFFICE: 4 INTERNATIONAL DRIVE RYE BROOK, NEW YORK 10573 PHONE: (914) 934-2075 FAX: (914) 934-2190	SCALE: NTS	DWG. NO. CS-SWA7304 REVO
			DATE: 12/30/2010	




SWA7300 SERIES
ALUMINUM RACEWAY
SECTION VIEW
SATIN ANODIZED FINISH
(EACH ORDERED SEPARATELY)



COUPLINGS
PROVIDED

MATERIAL: #6063-T6 EXTRUDED ALUMINUM.
NOMINAL WALL THICKNESS 0.075".
FINISH: SATIN ANODIZED



 MONO-SYSTEMS, INC. UNIQUE CABLE DISTRIBUTION SOLUTIONS	<i>DRAWING TITLE:</i>		<i>DR. BY:</i>		
	SWA7300 SERIES RACEWAY FLAT 90 DEGREE ELBOW		JFM		
<i>PROJECT:</i>		<i>SCALE:</i>		<i>APP'VD BY:</i>	
ALUMINUM SURFACE RACEWAY		NTS		DATE:	
<i>DATE:</i>		12/30/2010		<i>DWG. NO.</i>	
CS-SWA7309		CS-SWA7309		REVO	

PART NUMBER
CS-SWA7309

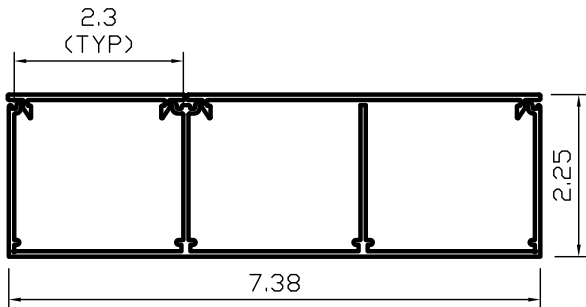
BUFFALO OFFICE:
180 HOPKINS STREET
BUFFALO, NEW YORK 14220
PHONE: (716)-821-1344
FAX: (716)-821-1345

CORPORATE OFFICE:
4 INTERNATIONAL DRIVE
RYE BROOK, NEW YORK 10573
PHONE: (914) 934-2075
FAX: (914) 934-2190

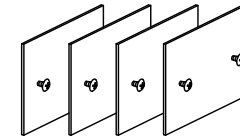
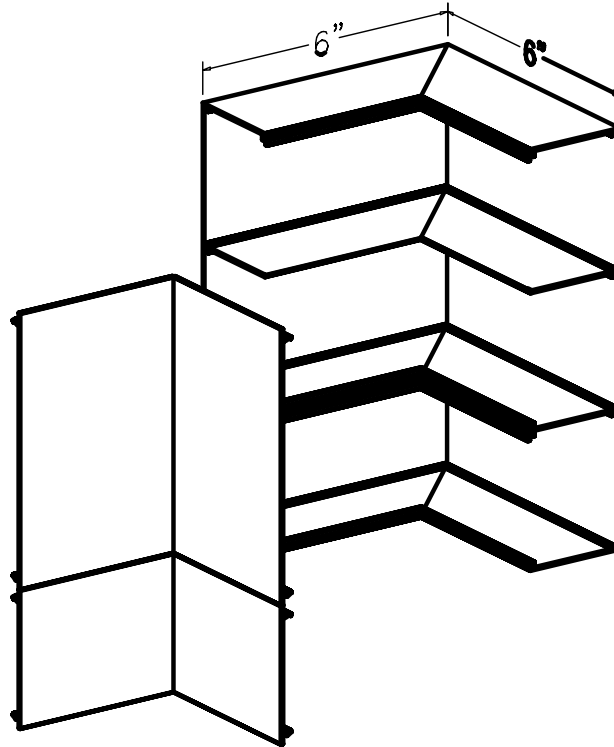
PROJECT:
ALUMINUM SURFACE RACEWAY

SCALE:
NTS
DATE:
12/30/2010

DR. BY:
JFM
APP'VD BY:
DWG. NO.
CS-SWA7309
REVO




SWA7300 SERIES
ALUMINUM RACEWAY
SECTION VIEW
SATIN ANNOIDIZED FINISH
(EACH ORDERED SEPARATELY)



COUPLINGS
PROVIDED

MATERIAL: #6063-T6 EXTRUDED ALUMINUM.
NOMINAL WALL THICKNESS 0.075".
FINISH: SATIN ANODIZED



 MONO-SYSTEMS, INC. UNIQUE CABLE DISTRIBUTION SOLUTIONS	<i>DRAWING TITLE:</i>		<i>DR. BY:</i>	
	SWA7300 SERIES RACEWAY INTERNAL 90 DEGREE ELBOW		JFM	
<i>PROJECT:</i>		<i>SCALE:</i>		<i>APPV'D BY:</i>
ALUMINUM SURFACE RACEWAY		NTS		CS-SWA7314
<i>DATE:</i>		<i>DRWG. NO.</i>		<i>REVO</i>
12/30/2010		CS-SWA7314		REVO

PART NUMBER
CS-SWA7314

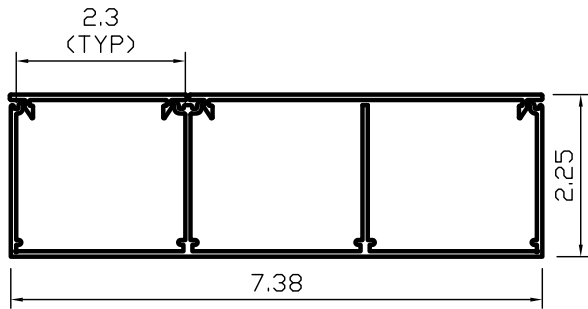
BUFFALO OFFICE:
180 HOPKINS STREET
BUFFALO, NEW YORK 14220
PHONE: (716)-821-1344
FAX: (716)-821-1345

CORPORATE OFFICE:
4 INTERNATIONAL DRIVE
RYE BROOK, NEW YORK 10573
PHONE: (914) 934-2075
FAX: (914) 934-2190

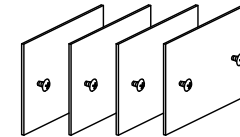
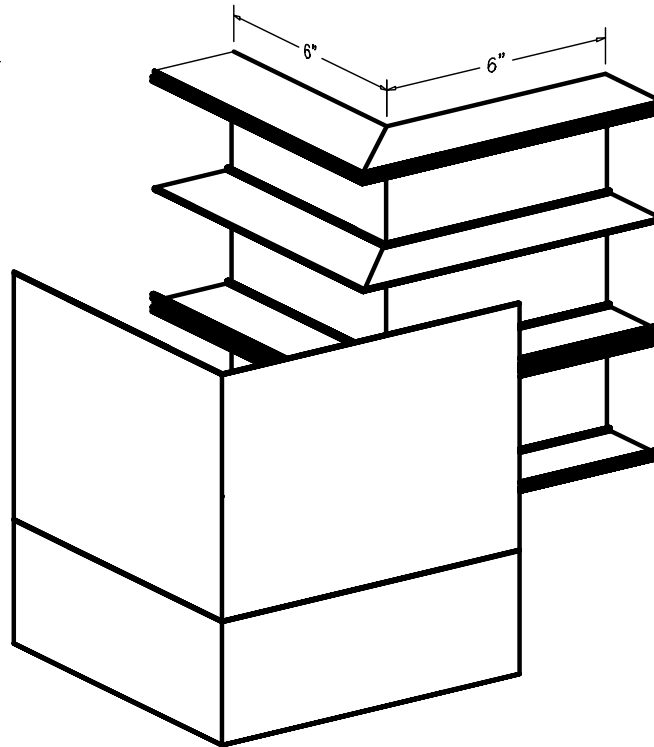
PROJECT:
ALUMINUM SURFACE RACEWAY

SCALE:
NTS
DATE:
12/30/2010

DRWG. NO.
CS-SWA7314
REVO




SWA7300 SERIES
ALUMINUM RACEWAY
SECTION VIEW
SATIN ANNOXIDIZED FINISH
(EACH ORDERED SEPARATELY)

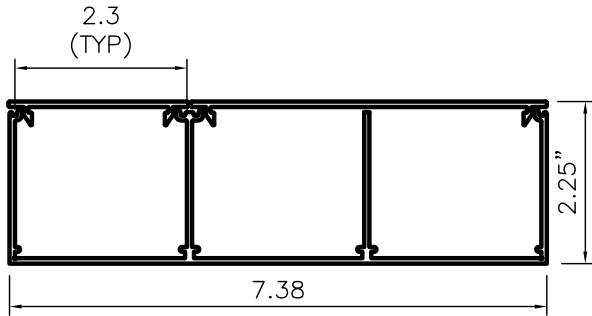


COUPLINGS
PROVIDED

MATERIAL: #6063-T6 EXTRUDED ALUMINUM.
NOMINAL WALL THICKNESS 0.075".
FINISH: SATIN ANODIZED

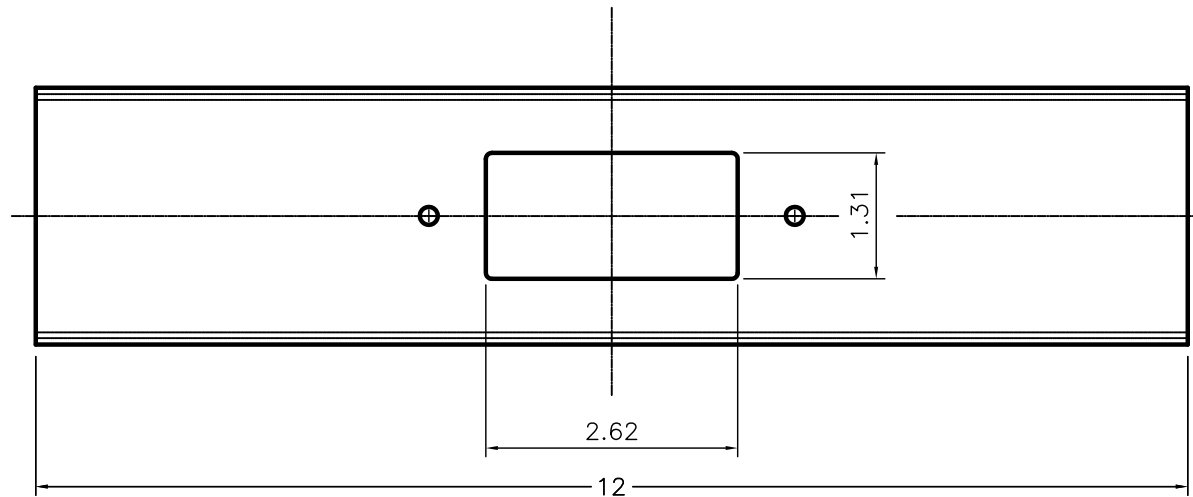



 MONO-SYSTEMS, INC. UNIQUE CABLE DISTRIBUTION SOLUTIONS	<i>DRAWING TITLE:</i>		<i>DR. BY:</i>	
	SWA7300 SERIES RACEWAY EXTERNAL 90 DEGREE ELBOW		JFM	
<i>PROJECT:</i>		<i>SCALE:</i>		<i>APPV'D BY:</i>
ALUMINUM SURFACE RACEWAY		NTS		CS-SWA7318
<i>DATE:</i>		12/30/2010		REVO
<i>PART NUMBER</i>	<i>BUFFALO OFFICE:</i>	<i>CORPORATE OFFICE:</i>	<i>PROJECT:</i>	<i>SCALE:</i>
CS-SWA7318	180 HOPKINS STREET BUFFALO, NEW YORK 14220 PHONE: (716)-821-1344 FAX: (716)-821-1345	4 INTERNATIONAL DRIVE RYE BROOK, NEW YORK 10573 PHONE: (914) 934-2075 FAX: (914) 934-2190	ALUMINUM SURFACE RACEWAY	NTS



SWA7300 SERIES
ALUMINUM RACEWAY
SECTION VIEW
SATIN ANNOIDIZED FINISH
(EACH ORDERED SEPARATELY)

MATERIAL: #6063-T6 EXTRUDED ALUMINUM.
NOMINAL WALL THICKNESS 0.075".
FINISH: SATIN ANODIZED



 MONO-SYSTEMS, INC. UNIQUE CABLE DISTRIBUTION SOLUTIONS	<i>DRAWING TITLE:</i>		<i>DR. BY:</i>		
	SWA7300 SERIES RACEWAY SINGLE COMPARTMENT DATA COVER		JFM		
<i>PROJECT:</i>		<i>SCALE:</i>		<i>APPV'D BY:</i>	
ALUMINUM SURFACE RACEWAY DATA CONFIGURAITON		NTS		CS-SWA7323-1	
<i>DATE:</i>		<i>REVO</i>			
12/30/2010					

PART NUMBER
CS-SWA7323-1

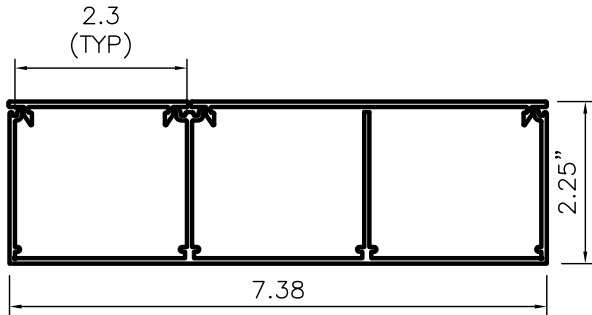
BUFFALO OFFICE:
180 HOPKINS STREET
BUFFALO, NEW YORK 14220
PHONE: (716)-821-1344
FAX: (716)-821-1345

CORPORATE OFFICE:
4 INTERNATIONAL DRIVE
RYE BROOK, NEW YORK 10573
PHONE: (914) 934-2075
FAX: (914) 934-2190

PROJECT:
ALUMINUM SURFACE RACEWAY
DATA CONFIGURAITON

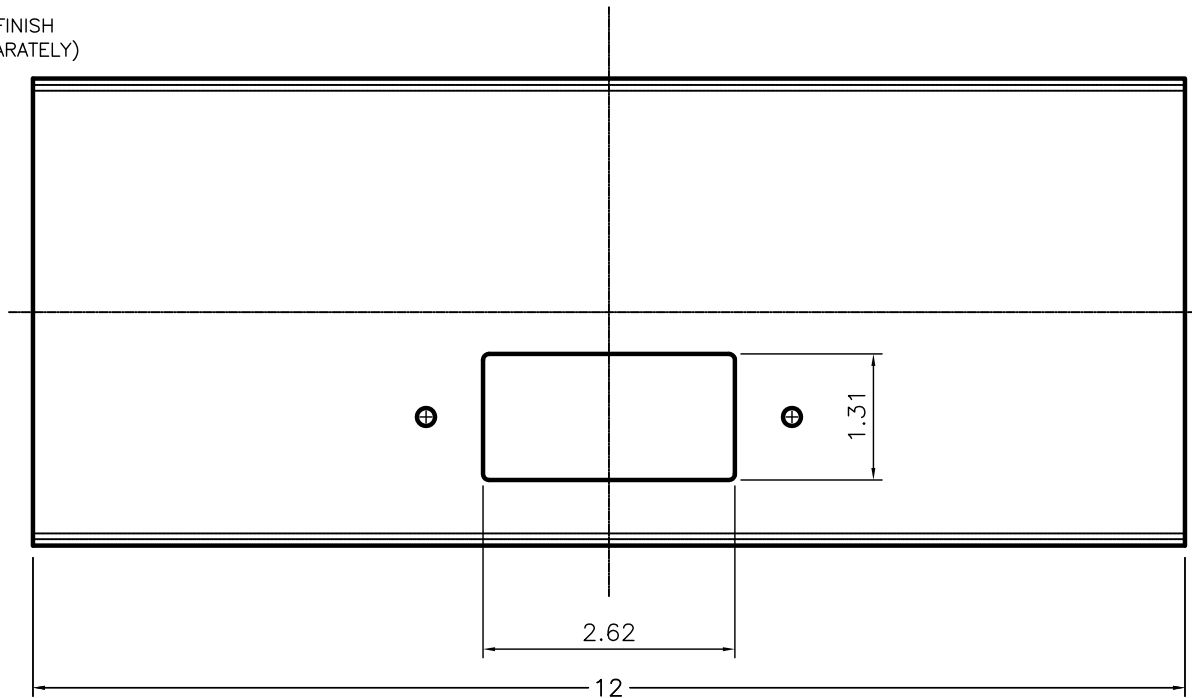
SCALE:
NTS
DATE:
12/30/2010


DR. BY:
JFM
APPV'D BY:
DWG. NO.
CS-SWA7323-1
REVO

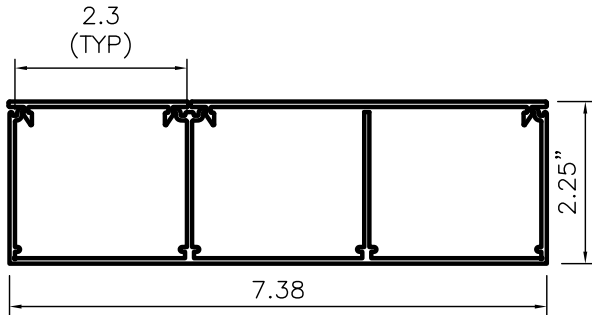


SWA7300 SERIES
ALUMINUM RACEWAY
SECTION VIEW
SATIN ANODIZED FINISH
(EACH ORDERED SEPARATELY)

MATERIAL: #6063-T6 EXTRUDED ALUMINUM.
NOMINAL WALL THICKNESS 0.075".
FINISH: SATIN ANODIZED

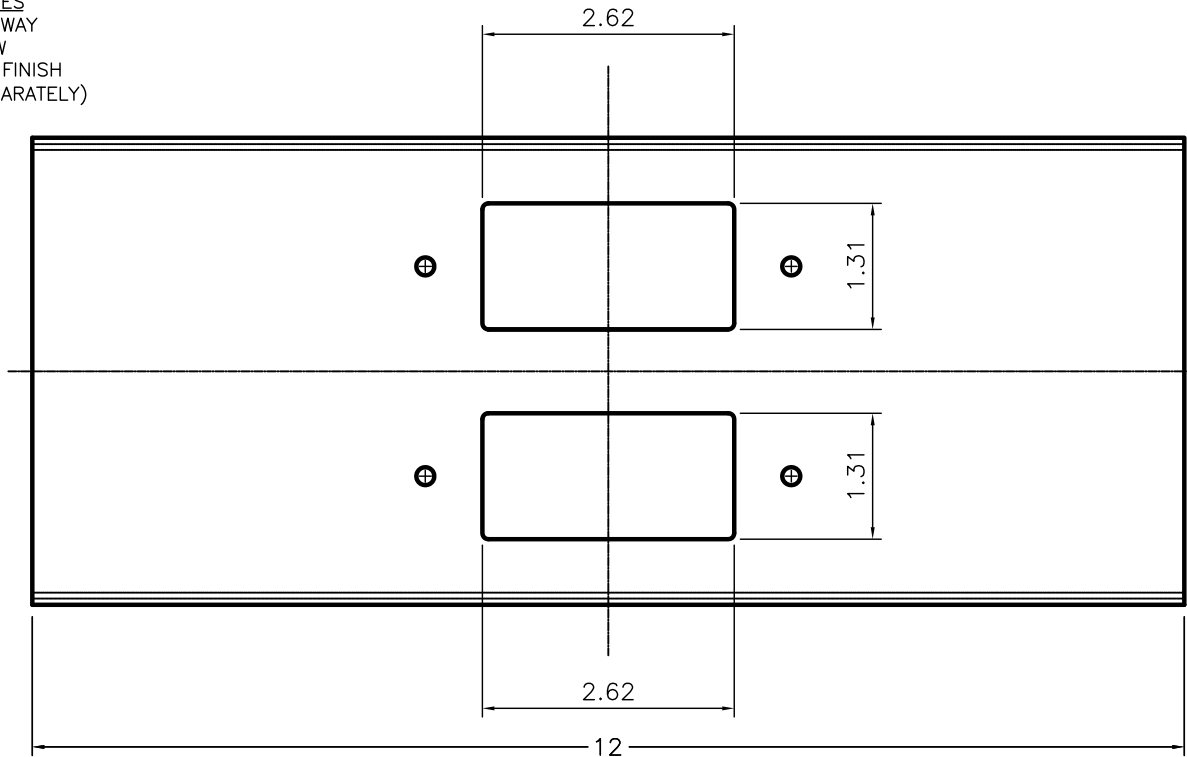



 MONO-SYSTEMS, INC. UNIQUE CABLE DISTRIBUTION SOLUTIONS	DRAWING TITLE: SWA7300 SERIES RACEWAY TWO COMPARTMENT DATA AND BLANK COVER		DR. BY: JFM		
	PROJECT: ALUMINUM SURFACE RACEWAY DATA / BLANK CONFIGURAITON		APPV'D BY:		
PART NUMBER CS-SWA7323-2	BUFFALO OFFICE: 180 HOPKINS STREET BUFFALO, NEW YORK 14220 PHONE: (716)-821-1344 FAX: (716)-821-1345	CORPORATE OFFICE: 4 INTERNATIONAL DRIVE RYE BROOK, NEW YORK 10573 PHONE: (914) 934-2075 FAX: (914) 934-2190	SCALE: NTS	DWG. NO. CS-SWA7323-2 REVO	
			DATE: 12/30/2010		

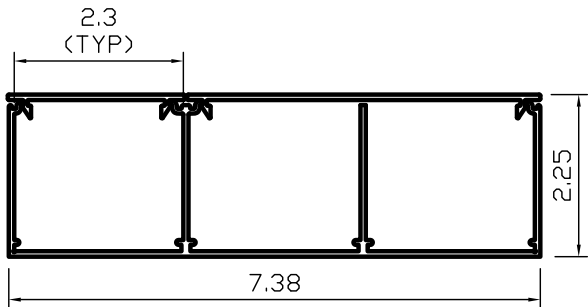


SWA7300 SERIES
ALUMINUM RACEWAY
SECTION VIEW
SATIN ANNOXIDIZED FINISH
(EACH ORDERED SEPARATELY)

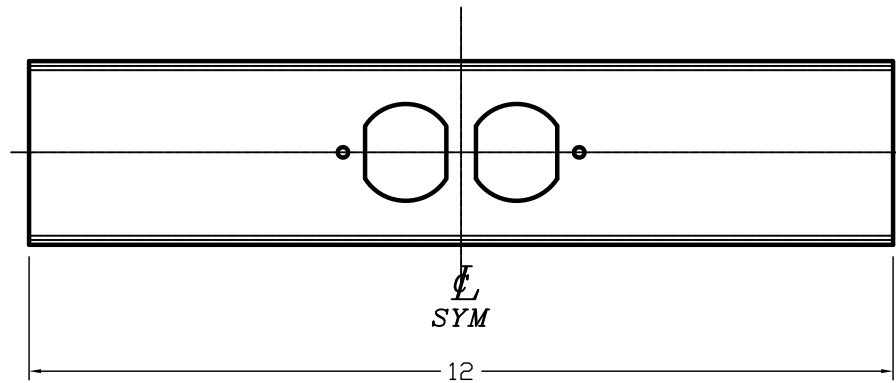
MATERIAL: #6063-T6 EXTRUDED ALUMINUM.
NOMINAL WALL THICKNESS 0.075".
FINISH: SATIN ANODIZED



 MONO-SYSTEMS, INC. UNIQUE CABLE DISTRIBUTION SOLUTIONS	DRAWING TITLE: SWA7300 SERIES RACEWAY TWO COMPARTMENT DATA AND DATA COVER		DR. BY: JFM		
	PROJECT: ALUMINUM SURFACE RACEWAY DATA / DATA CONFIGURAITON		APPV'D BY:		
PART NUMBER CS-SWA7323DD-2	BUFFALO OFFICE: 180 HOPKINS STREET BUFFALO, NEW YORK 14220 PHONE: (716)-821-1344 FAX: (716)-821-1345	CORPORATE OFFICE: 4 INTERNATIONAL DRIVE RYE BROOK, NEW YORK 10573 PHONE: (914) 934-2075 FAX: (914) 934-2190	SCALE: NTS	DWG. NO. CS-SWA7323DD-2 REVO	
			DATE: 12/30/2010		




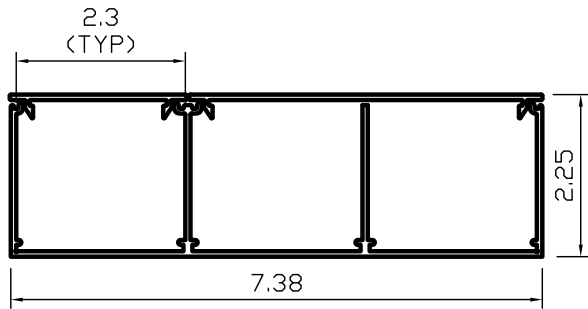
SWA7300 SERIES
ALUMINUM RACEWAY
SECTION VIEW
SATIN ANNOXIDIZED FINISH
(EACH ORDERED SEPARATELY)



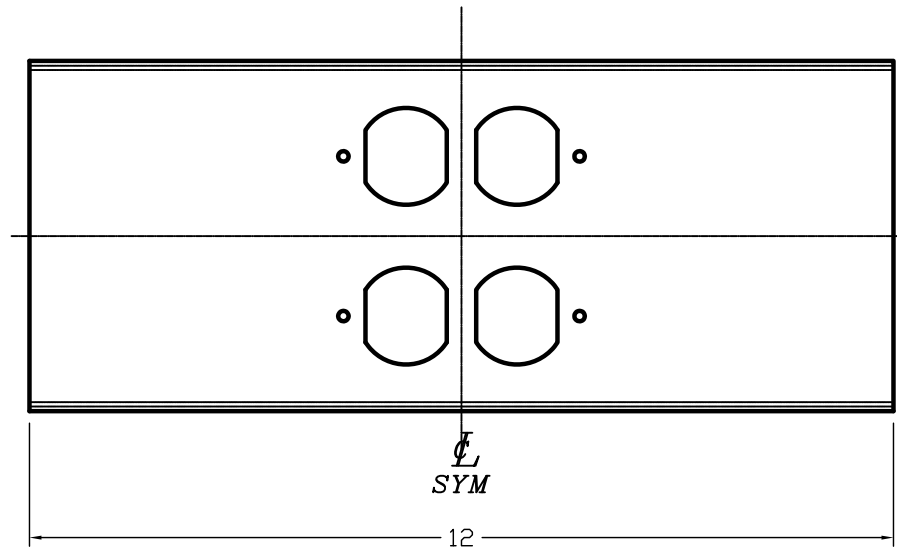
MATERIAL: #6063-T6 EXTRUDED ALUMINUM.
NOMINAL WALL THICKNESS 0.075".
FINISH: SATIN ANODIZED



 MONO-SYSTEMS, INC. UNIQUE CABLE DISTRIBUTION SOLUTIONS	<i>DRAWING TITLE:</i>		<i>DR. BY:</i>	
	SWA7300 SERIES RACEWAY SINGLE COMPARTMENT DUPLEX COVER		JFM	
<i>PART NUMBER</i>	<i>BUFFALO OFFICE:</i>	<i>CORPORATE OFFICE:</i>	<i>PROJECT:</i>	<i>SCALE:</i>
CS-SWA7346-1	180 HOPKINS STREET BUFFALO, NEW YORK 14220 PHONE: (716)-821-1344 FAX: (716)-821-1345	4 INTERNATIONAL DRIVE RYE BROOK, NEW YORK 10573 PHONE: (914) 934-2075 FAX: (914) 934-2190	ALUMINUM SURFACE RACEWAY	NTS
			<i>DATE:</i>	<i>DWG. NO.</i>
			12/30/2010	CS-SWA7346-1 REVO




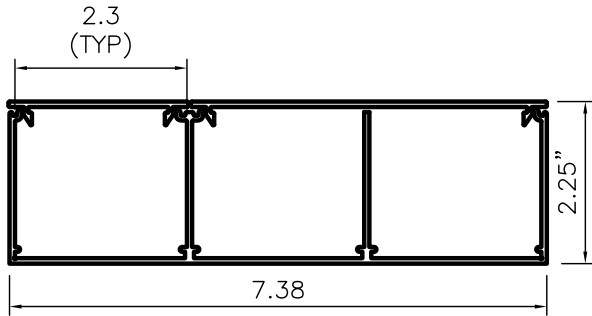
SWA7300 SERIES
ALUMINUM RACEWAY
SECTION VIEW
SATIN ANNOIDIZED FINISH
(EACH ORDERED SEPARATELY)



MATERIAL: #6063-T6 EXTRUDED ALUMINUM.
NOMINAL WALL THICKNESS 0.075".
FINISH: SATIN ANODIZED

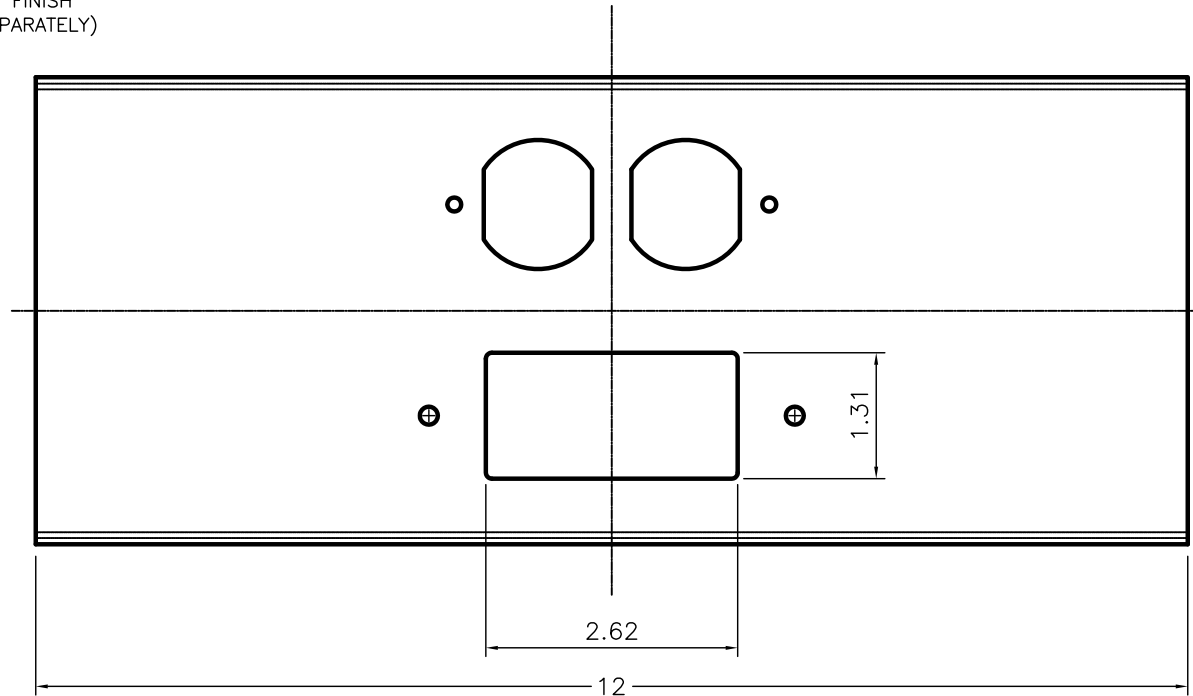



 MONO-SYSTEMS, INC. UNIQUE CABLE DISTRIBUTION SOLUTIONS	<i>DRAWING TITLE:</i>		<i>DR. BY:</i>	
	SWA7300 SERIES RACEWAY TWO COMPARTMENT 2-DUPLEX COVER		JFM	
<i>PART NUMBER</i>	<i>BUFFALO OFFICE:</i>		<i>PROJECT:</i>	
	180 HOPKINS STREET BUFFALO, NEW YORK 14220 PHONE: (716)-821-1344 FAX: (716)-821-1345		ALUMINUM SURFACE RACEWAY	
CS-SWA7346DD-2	<i>CORPORATE OFFICE:</i>		<i>SCALE:</i>	
	4 INTERNATIONAL DRIVE RYE BROOK, NEW YORK 10573 PHONE: (914) 934-2075 FAX: (914) 934-2190		NTS	
			<i>DATE:</i>	
			12/30/2010	
			<i>DWG. NO.</i>	
			CS-SWA7346DD-2	
			REVO	



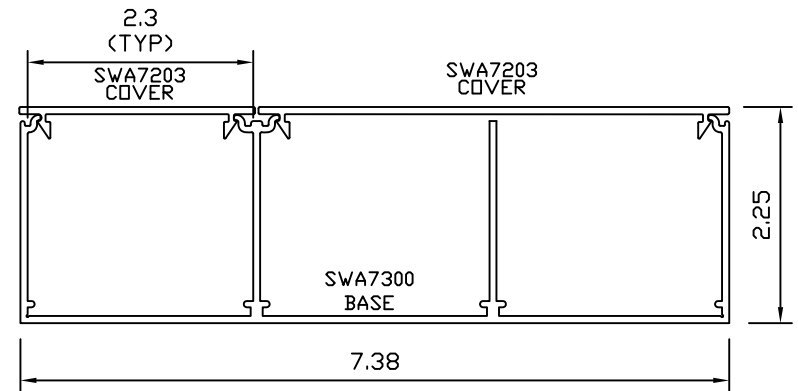
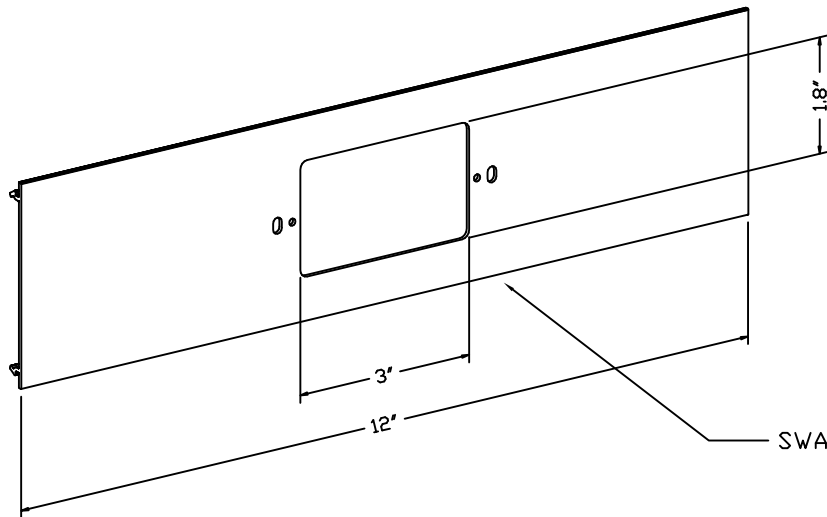
SWA7300 SERIES
ALUMINUM RACEWAY
SECTION VIEW
SATIN ANODIZED FINISH
(EACH ORDERED SEPARATELY)

MATERIAL: #6063-T6 EXTRUDED ALUMINUM.
NOMINAL WALL THICKNESS 0.075".
FINISH: SATIN ANODIZED



 MONO-SYSTEMS, INC. UNIQUE CABLE DISTRIBUTION SOLUTIONS	DRAWING TITLE: SWA7300 SERIES RACEWAY TWO COMPARTMENT DEVICE COVER		DR. BY: JFM		
			APPV'D BY:		
PART NUMBER CS-SWA7348DD-2	BUFFALO OFFICE: 180 HOPKINS STREET BUFFALO, NEW YORK 14220 PHONE: (716)-821-1344 FAX: (716)-821-1345	CORPORATE OFFICE: 4 INTERNATIONAL DRIVE RYE BROOK, NEW YORK 10573 PHONE: (914) 934-2075 FAX: (914) 934-2190	PROJECT: ALUMINUM SURFACE RACEWAY DUPLEX / DECOR CONFIGURAITON	SCALE: NTS	DWG. NO. CS-SWA7348DD-2 REVO
			DATE: 12/30/2010		

SWA7300 SERIES
 SWA7357 - UNIVERSAL DEVICE PLATE



SWA7300 SERIES
 ALUMINUM RACEWAY
 SECTION VIEW
 SATIN ANNOXIDIZED FINISH
 (EACH ORDERED SEPARATELY)

SWA7357 - UNIVERSAL DEVICE PLATE



MONO-SYSTEMS, INC.
 UNIQUE CABLE DISTRIBUTION SOLUTIONS
 4 INTERNATIONAL DRIVE
 RYE BROOK, NEW YORK 10573
 PHONE: (914)-934-2075
 FAX: (914)-934-2190