

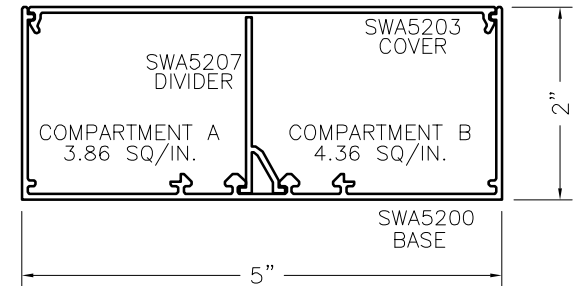
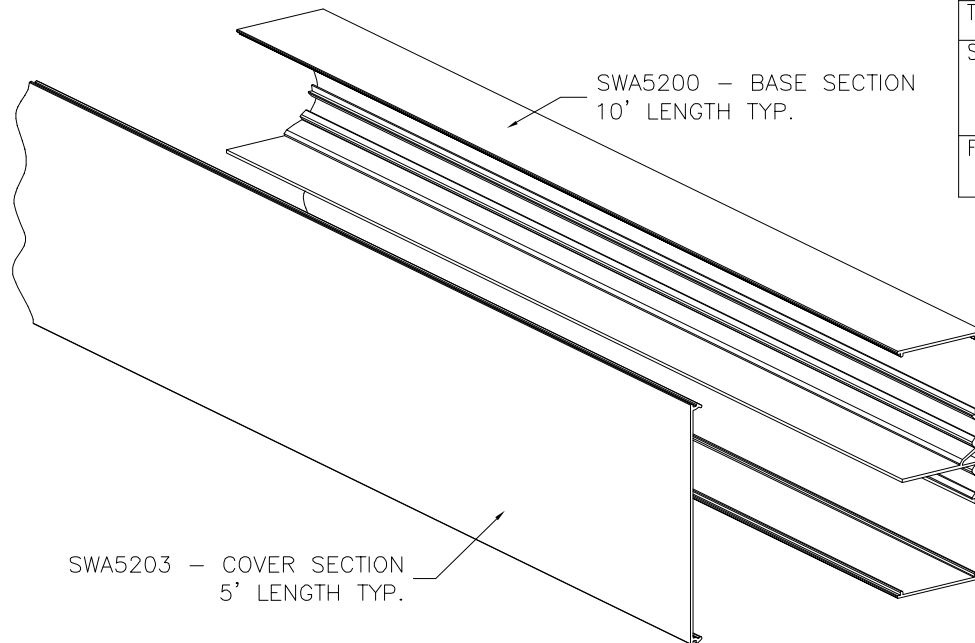
PROJECT:
SWA5200 ALUMINUM SURFACE RACEWAY
 PRE-WIRED RACEWAYS SYSTEM
 -INSTALLATION INSTRUCTIONS-



PART NUMBER COVER SHEET	 MONO-SYSTEMS, INC. UNIQUE CABLE DISTRIBUTION SOLUTIONS BUFFALO OFFICE: 180 HOPKINS STREET BUFFALO, NEW YORK 14220 PHONE: (716)-821-1344 FAX: (716)-821-1345 CORPORATE OFFICE: 4 INTERNATIONAL DRIVE RYE BROOK, NEW YORK 10573 PHONE: (914) 934-2075 FAX: (914) 934-2190	DRAWING TITLE: INSTALLATION INSTRUCTIONS COVER SHEET PROJECT: PRE-WIRED RACEWAY SYSTEM SCALE: NONE DATE: 01/12/2009	DR. BY: MJL APPV'D BY: DWG. NO. REV. 0
-----------------------------------	---	---	--

**SWA5200 SERIES
ALUMINUM SURFACE RACEWAY**

SWA5200 Aluminum Raceway Fill Capacity for Power				SWA5200 Aluminum Raceway Fill Capacity for Data/Comm.					
Compartment	WIRE SIZE THHN/THWN	40% FILL		CABLE TYPE	CATEGORY/DESIGNATION	20% FILL		40% FILL	
		A	B			A	B	A	B
Power Wiring Without Devices	6 AWG	30	34	Unshielded Twisted Pair	4-pair, 24 AWG Cat. 3	20	22	40	45
	8 AWG	42	48		4-pair, 24 AWG Cat. 5e	27	30	54	61
	10 AWG	84	98		4-pair, 24 AWG Cat. 6	15	17	31	35
	12 AWG	133	154	Telephone	2-pair, 24 AWG	50	56	100	113
	14 AWG	179	207		3-pair, 24 AWG	43	49	87	98
Power Wiring With Devices	6 AWG	19	24	4-pair, 24 AWG	27	30	54	61	
	8 AWG	27	34	25-pair, 24 AWG	5	6	11	13	
	10 AWG	55	68	Coaxial Cables	RG58/U	25	29	51	58
	12 AWG	88	108		RG59/U	16	18	33	37
	14 AWG	117	145		RG6/U	13	15	26	30
			Twinaxial	100 Ohm	9	10	18	20	
			Shielded Twisted Pair	TYPE 1	6	7	12	14	
				TYPE 2	4	5	9	10	
				TYPE 3	16	18	32	36	
			Fiber Optic	Two Strand (Duplex) Multimode 62.5/125 μ m	27	30	54	61	



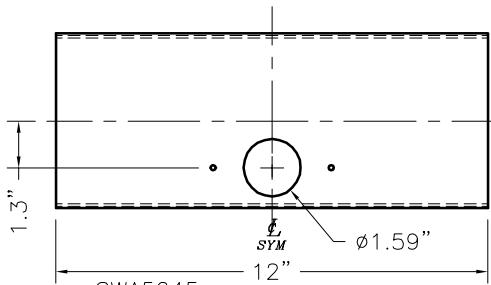
SWA5200 SERIES
ALUMINUM RACEWAY
SECTION VIEW
SATIN ANODIZED FINISH
(EACH ORDERED SEPARATELY)

- 1.) RIGIDLY SECURE BASE SECTION TO STRUCTURAL BUILDING MEMBER OR WALL CONSTRUCTION AT 18" MAXIMUM MOUNTING CENTERS. VERIFY FASTENERS & MOUNTING INTERVAL BASED ON MOUNTING SURFACE CONSTRUCTION. (HARDWARE BY OTHERS)
- 2.) DIVIDE RACEWAY USING OPTIONAL SWA5207 DIVIDER STRIP LOCATED AS REQUIRED.
- 3.) TERMINATE ALL WIRING / DEVICES PER NEC AND LOCAL CODES.
- 4.) ENCLOSE RACEWAY USING SWA5203 COVER SECTIONS AND / OR MONO-SYSTEMS, INC. DEVICE COVER PLATES.

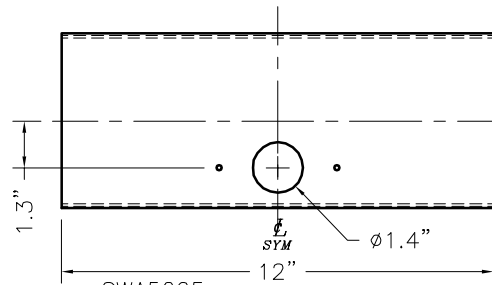


MONO-SYSTEMS, INC.
UNIQUE CABLE DISTRIBUTION SOLUTIONS
4 INTERNATIONAL DRIVE
RYE BROOK, NEW YORK 10573
PHONE: (914)-934-2075
FAX: (914)-934-2190

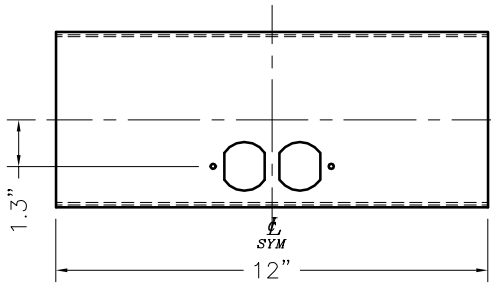
SWA5200 SERIES DEVICE COVER PLATE OPTIONS



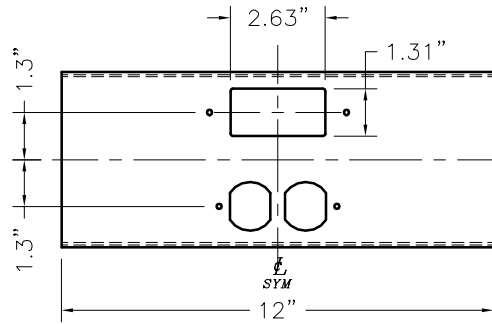
SWA5245
TWIST LOCK RECT. PLATE



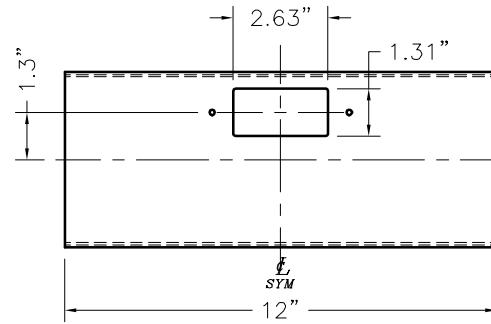
SWA5225
SINGLE RECT. PLATE



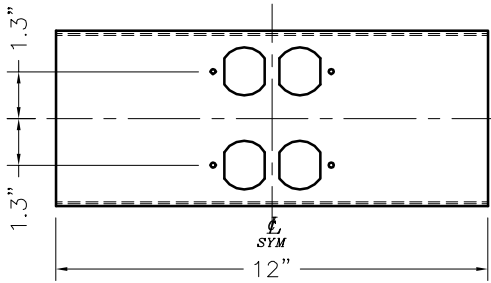
SWA5246
DUPLEX PLATE



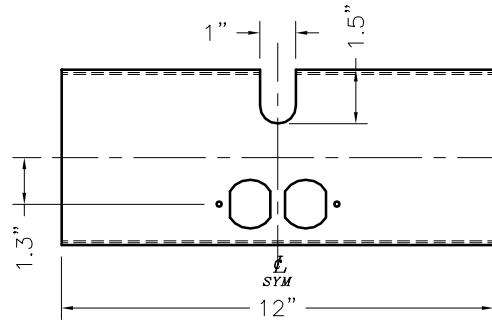
SWA5248
DUPLEX / DECOR PLATE



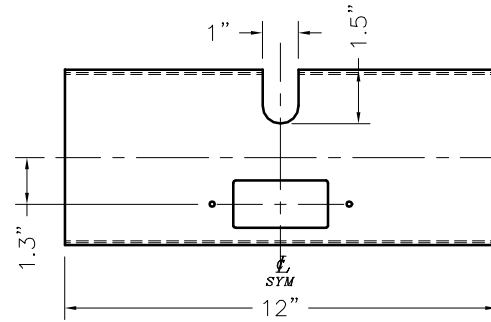
SWA5223
DECOR PLATE



SWA5246DD
TWO GANG DUPLEX PLATE



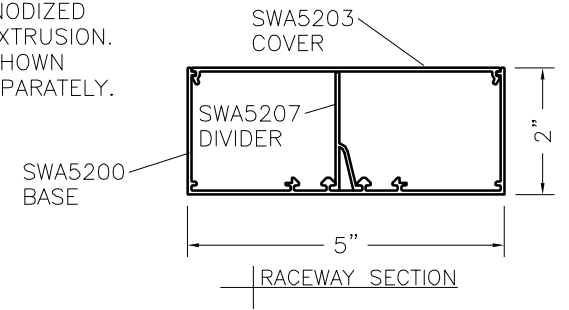
SWA5254
DUPLEX / MOUSE HOLE PLATE



SWA5255
DECOR / MOUSE HOLE PLATE

SWA5253 - NOT PICTURED
MOUSE HOLE PLATE

MATERIAL: ANODIZED
ALUMINUM EXTRUSION.
ALL ITEMS SHOWN
ORDERED SEPARATELY.

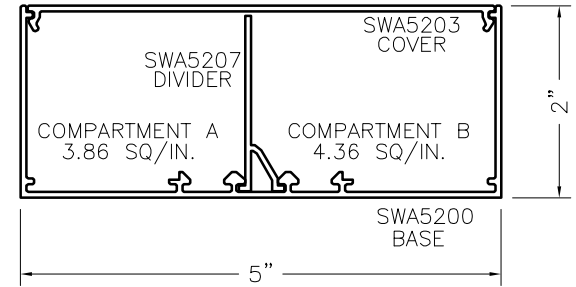


MONO-SYSTEMS, INC.
UNIQUE CABLE DISTRIBUTION SOLUTIONS
4 INTERNATIONAL DRIVE
RYE BROOK, NEW YORK 10573
PHONE: (914)-934-2075
FAX: (914)-934-2190

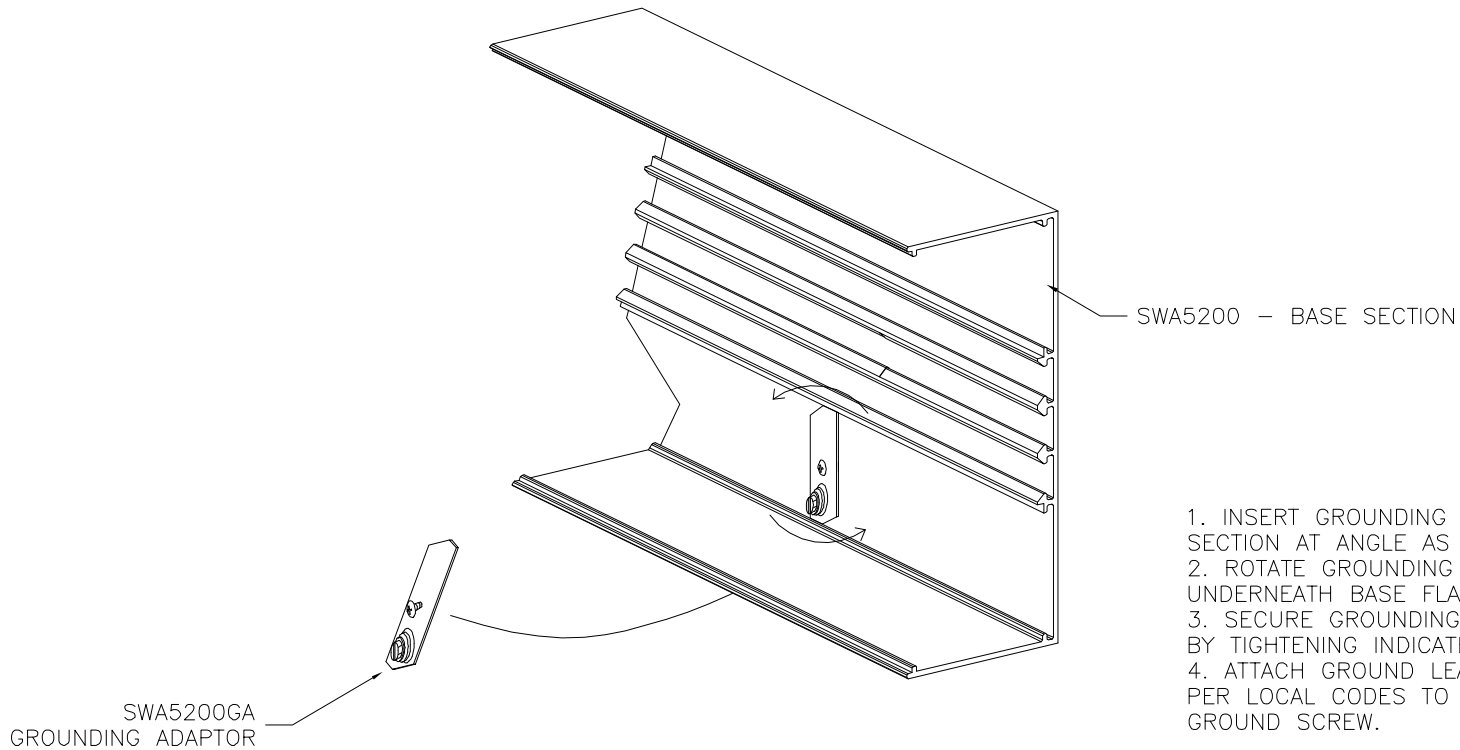
SWA5200 SERIES

SWA5200GA - GROUNDING ADAPTER CLIP

USE TO ATTACH INCOMING GROUND TO RACEWAY BASE ASSEMBLIES
AND/OR TO INDIVIDUAL RECEPTACLES PER LOCAL CODES.



SWA5200 SERIES
ALUMINUM RACEWAY
SECTION VIEW
SATIN ANODIZED FINISH
(EACH ORDERED SEPARATELY)

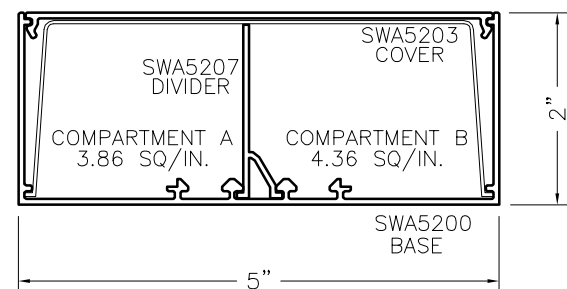


1. INSERT GROUNDING ADAPTER INTO BASE SECTION AT ANGLE AS SHOWN.
2. ROTATE GROUNDING ADAPTER UNDERNEATH BASE FLANGES AS SHOWN.
3. SECURE GROUNDING ADAPTER TO BASE BY TIGHTENING INDICATED 8-32 SCREW.
4. ATTACH GROUND LEADS AS REQUIRED PER LOCAL CODES TO GREEN 10-32 GROUND SCREW.

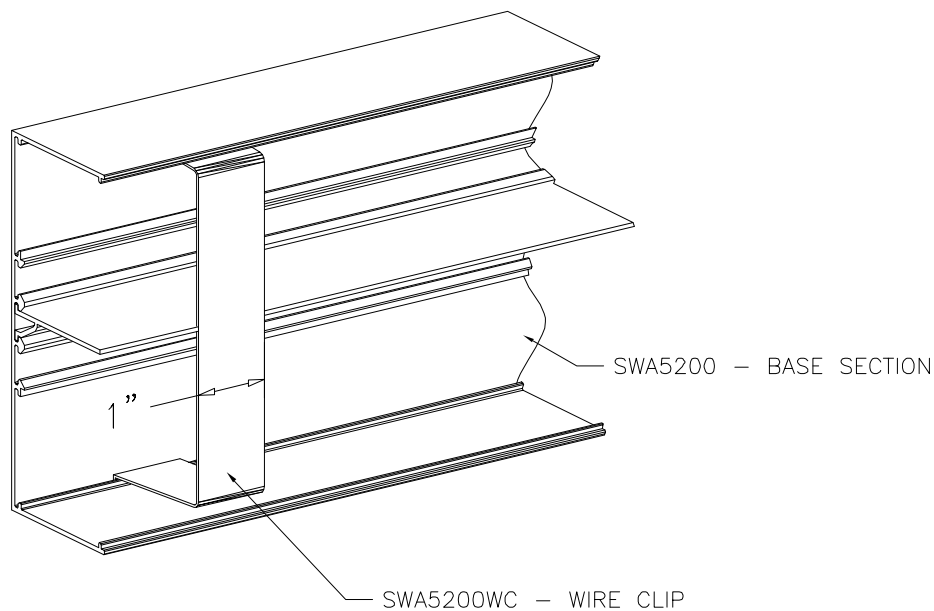


MONO-SYSTEMS, INC.
UNIQUE CABLE DISTRIBUTION SOLUTIONS
4 INTERNATIONAL DRIVE
RYE BROOK, NEW YORK 10573
PHONE: (914)-934-2075
FAX: (914)-934-2190

SWA5200 SERIES
SWA5200WC – WIRE CLIP
EACH ORDERED SEPARATELY



SWA5200 SERIES
ALUMINUM RACEWAY
SECTION VIEW
SATIN ANODIZED FINISH
(EACH ORDERED SEPARATELY)

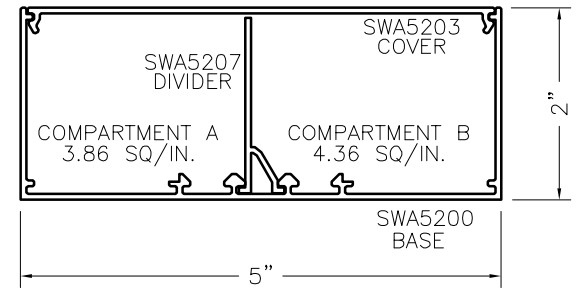


1.) SNAP WIRE CLIP OVER DIVIDER AS SHOWN.

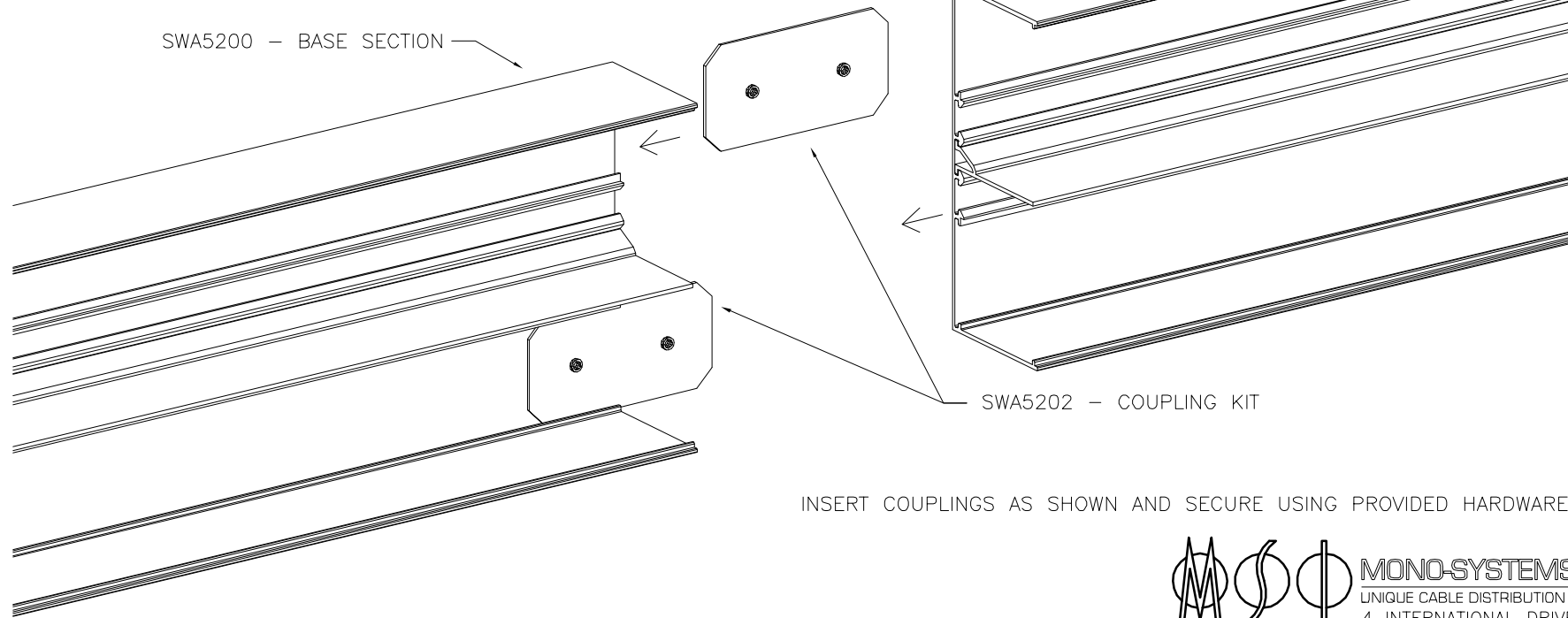


MONO-SYSTEMS, INC.
UNIQUE CABLE DISTRIBUTION SOLUTIONS
4 INTERNATIONAL DRIVE
RYE BROOK, NEW YORK 10573
PHONE: (914)-934-2075
FAX: (914)-934-2190

SWA5200 SERIES
SWA5202 – COUPLING KIT
 PROVIDED IN PAIRS.



SWA5200 SERIES
 ALUMINUM RACEWAY
 SECTION VIEW
 SATIN ANODIZED FINISH
 (EACH ORDERED SEPARATELY)



INSERT COUPLINGS AS SHOWN AND SECURE USING PROVIDED HARDWARE.

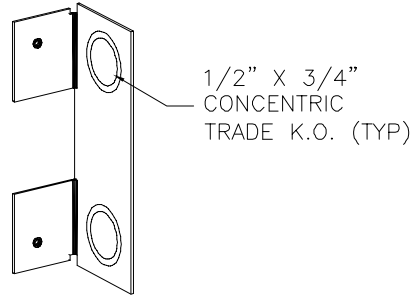


MONO-SYSTEMS, INC.
 UNIQUE CABLE DISTRIBUTION SOLUTIONS
 4 INTERNATIONAL DRIVE
 RYE BROOK, NEW YORK 10573
 PHONE: (914)-934-2075
 FAX: (914)-934-2190

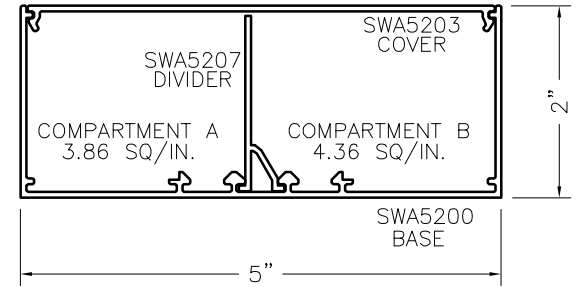
SWA5200 SERIES

SWA5204 - BLIND END

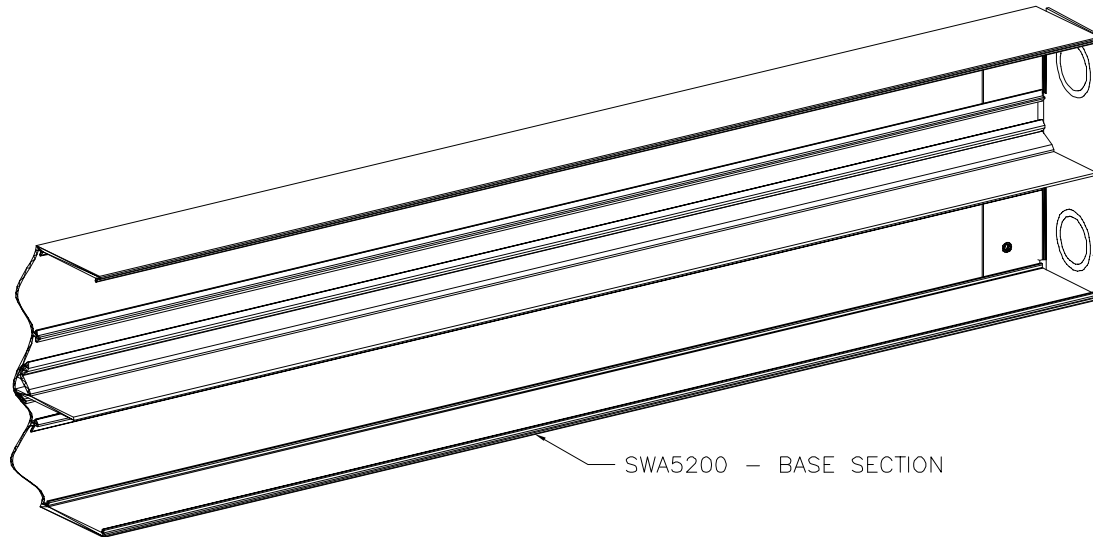
EACH ORDERED SEPARATELY.



P/N: SWA5204



SWA5200 SERIES
ALUMINUM RACEWAY
SECTION VIEW
SATIN ANODIZED FINISH
(EACH ORDERED SEPARATELY)

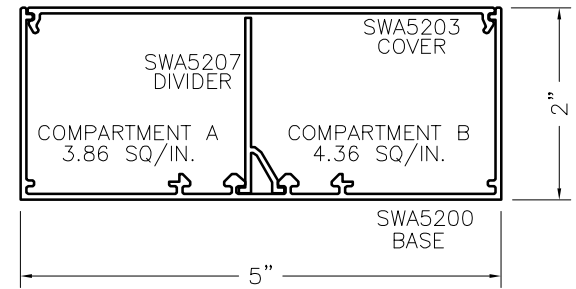


INSERT BLANK END AS SHOWN AND
SECURE USING PROVIDED HARDWARE.

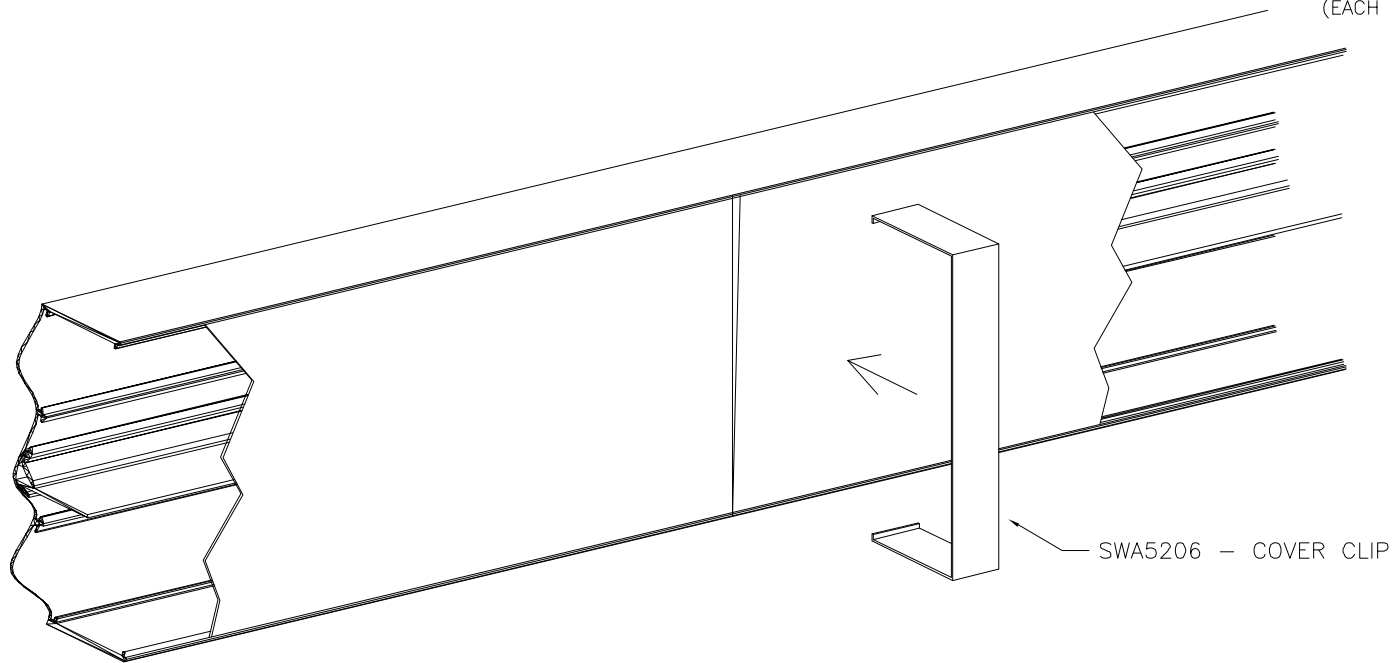


MONO-SYSTEMS, INC.
UNIQUE CABLE DISTRIBUTION SOLUTIONS
4 INTERNATIONAL DRIVE
RYE BROOK, NEW YORK 10573
PHONE: (914)-934-2075
FAX: (914)-934-2190

SWA5200 SERIES
SWA5206 - COVER CLIP



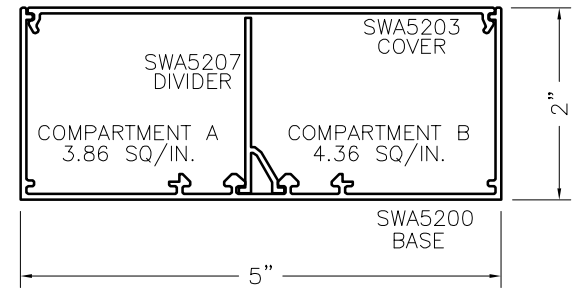
SWA5200 SERIES
ALUMINUM RACEWAY
SECTION VIEW
SATIN ANODIZED FINISH
(EACH ORDERED SEPARATELY)



1. SNAP OVER COVER SEAMS AS REQUIRED.

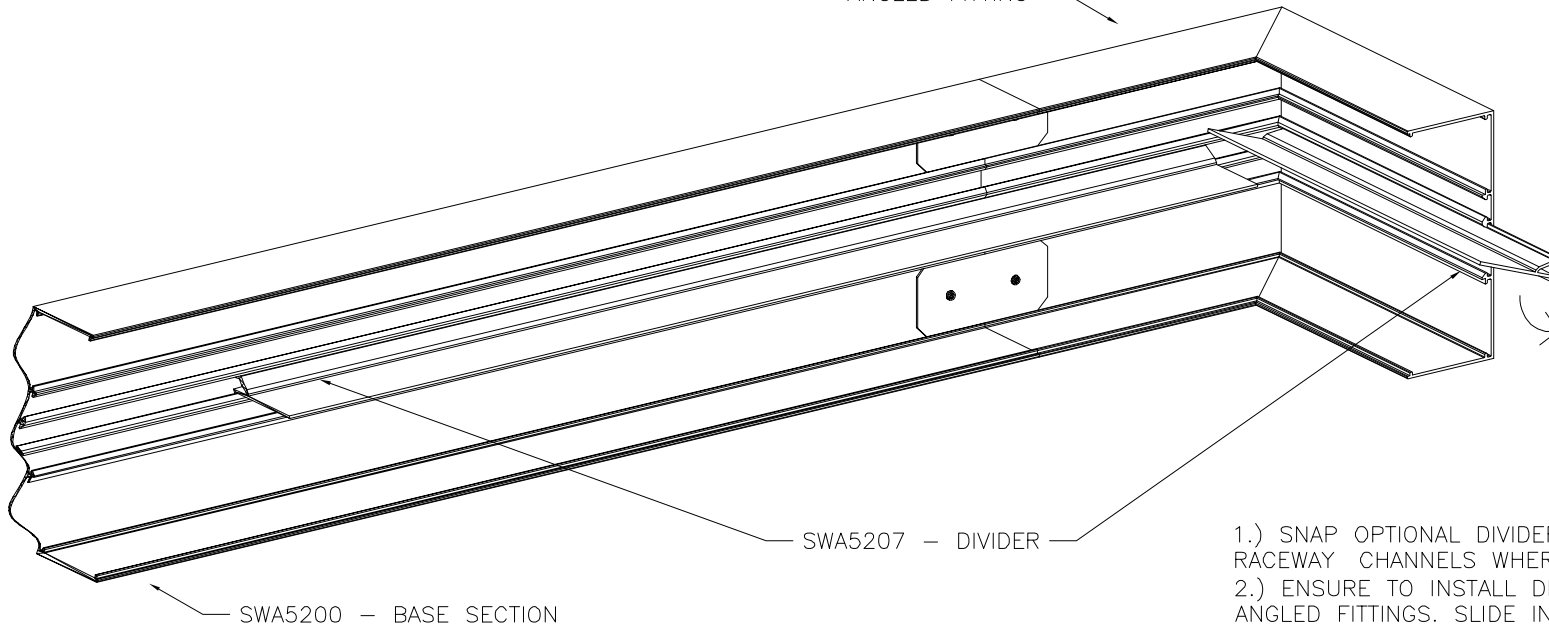


SWA5200 SERIES
SWA5207 – DIVIDER STRIP
 5' TYPICAL LENGTH



SWA5200 SERIES
 ALUMINUM RACEWAY
 SECTION VIEW
 SATIN ANODIZED FINISH
 (EACH ORDERED SEPARATELY)

ANGLED FITTING

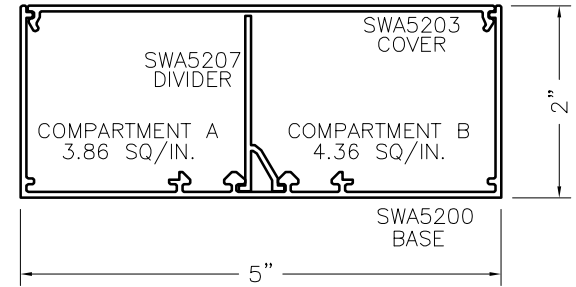


- 1.) SNAP OPTIONAL DIVIDER / DIVIDERS INTO RACEWAY CHANNELS WHERE REQUIRED AS SHOWN.
- 2.) ENSURE TO INSTALL DIVIDER STRIP THROUGHOUT ANGLED FITTINGS. SLIDE INTO FITTING CORNER AS NEEDED.



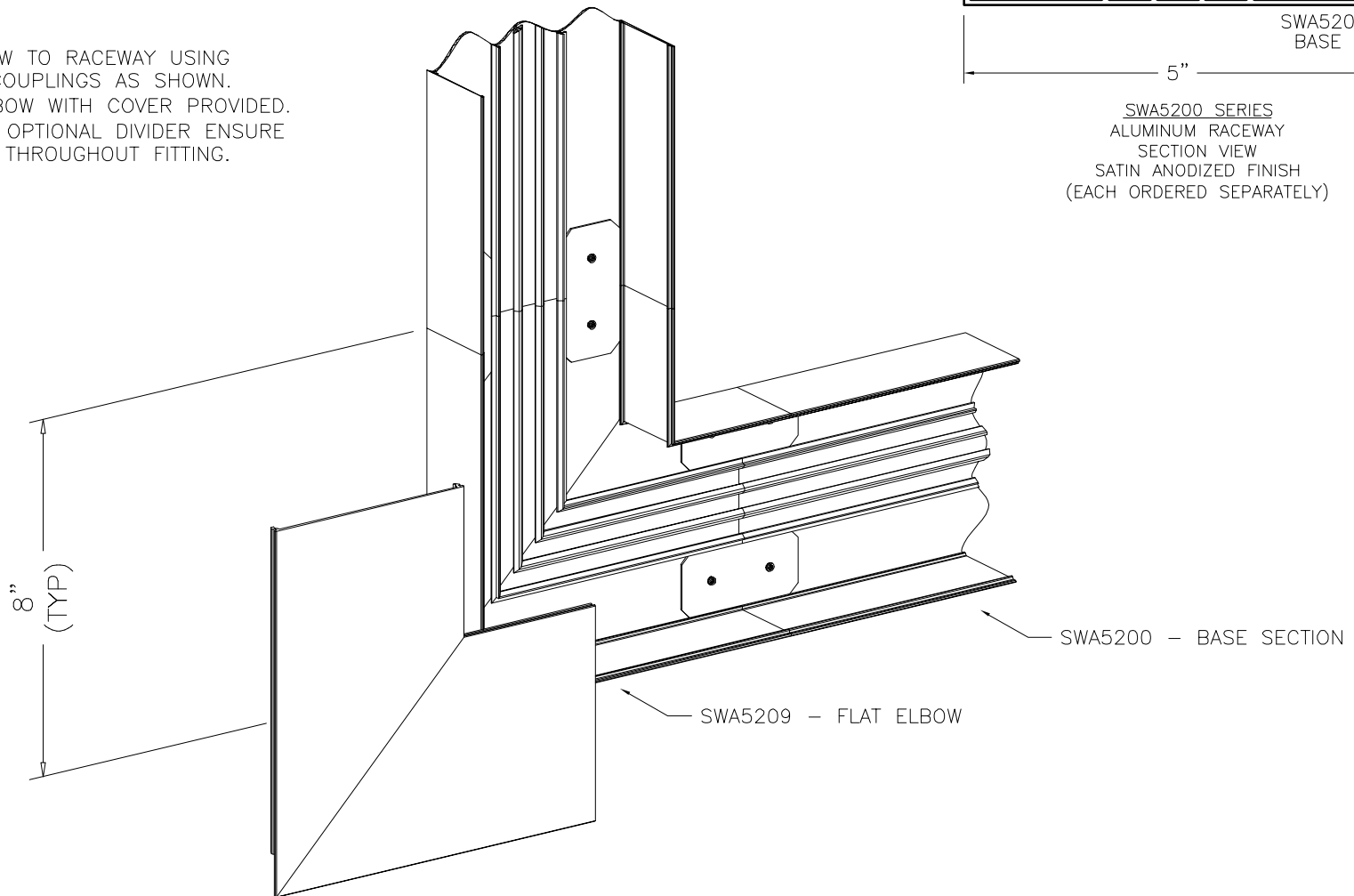
MONO-SYSTEMS, INC.
 UNIQUE CABLE DISTRIBUTION SOLUTIONS
 4 INTERNATIONAL DRIVE
 RYE BROOK, NEW YORK 10573
 PHONE: (914)-934-2075
 FAX: (914)-934-2190

SWA5200 SERIES
SWA5209 – FLAT ELBOW



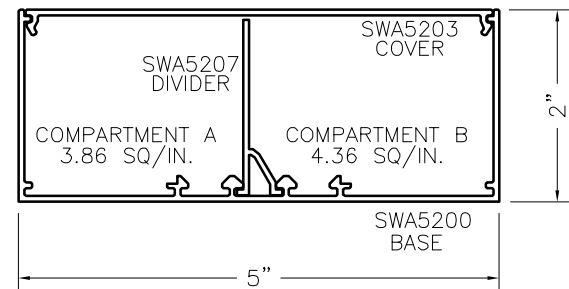
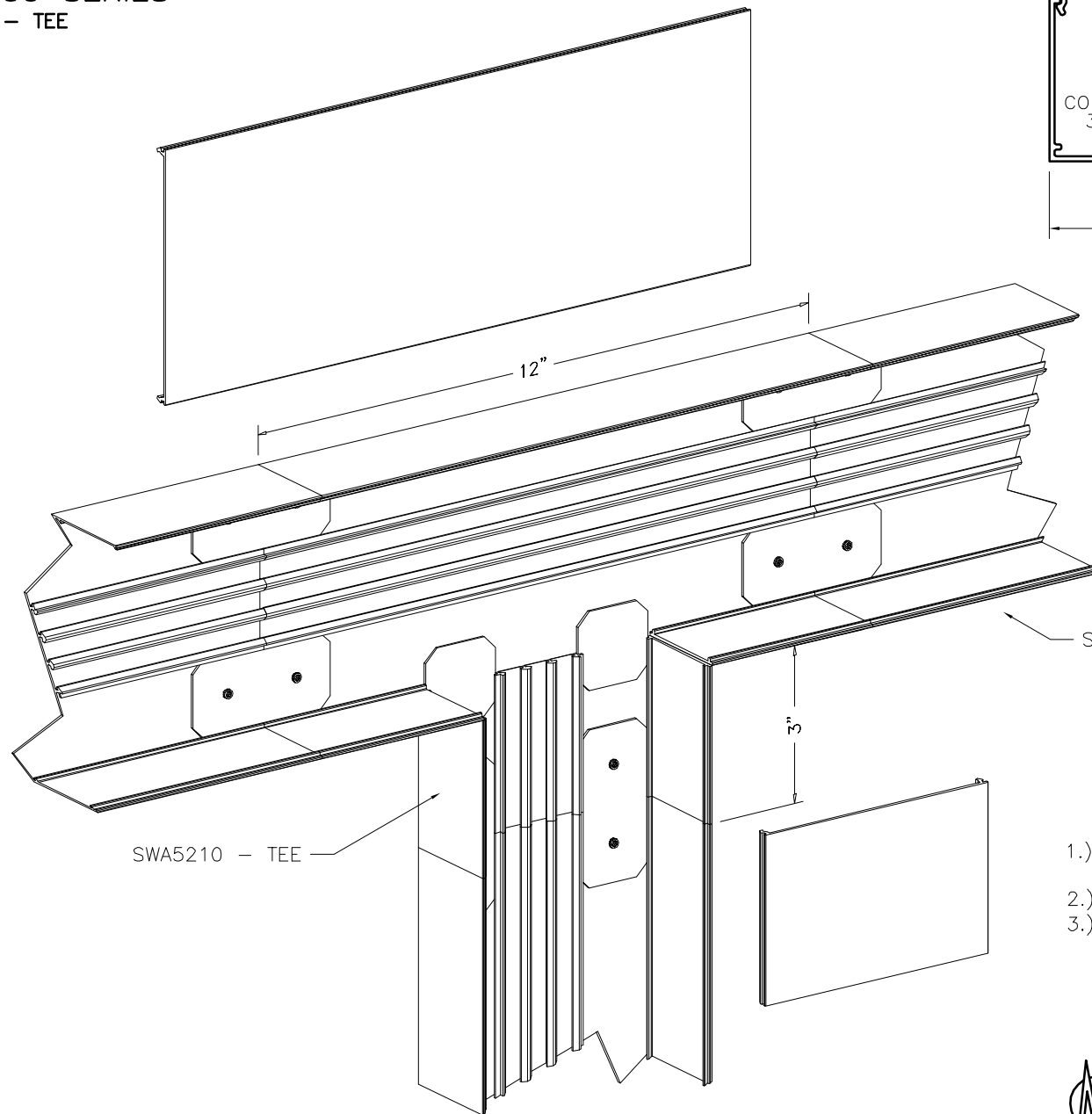
- 1.) ATTACH ELBOW TO RACEWAY USING PROVIDED COUPLINGS AS SHOWN.
- 2.) ENCLOSE ELBOW WITH COVER PROVIDED.
- 3.) WHEN USING OPTIONAL DIVIDER ENSURE TO INSTALL THROUGHOUT FITTING.

SWA5200 SERIES
 ALUMINUM RACEWAY
 SECTION VIEW
 SATIN ANODIZED FINISH
 (EACH ORDERED SEPARATELY)



SWA5200 SERIES

SWA5210 - TEE



SWA5200 SERIES
ALUMINUM RACEWAY
SECTION VIEW
SATIN ANODIZED FINISH
(EACH ORDERED SEPARATELY)

SWA5200 - BASE SECTION

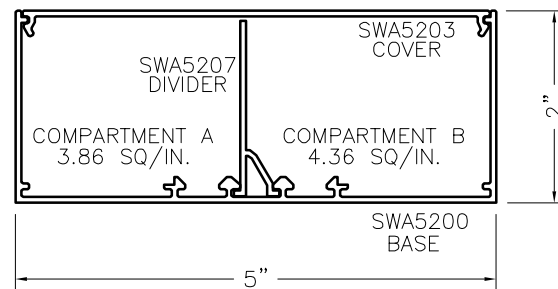
SWA5210 - TEE

- 1.) ATTACH TEE TO RACEWAY USING PROVIDED COUPLINGS AS SHOWN.
- 2.) ENCLOSE TEE WITH COVER PROVIDED.
- 3.) WHEN USING OPTIONAL DIVIDER ENSURE TO INSTALL THROUGHOUT FITTING. MODIFICATIONS & OTHER MATERIALS BY OTHERS MAY BE REQUIRED.

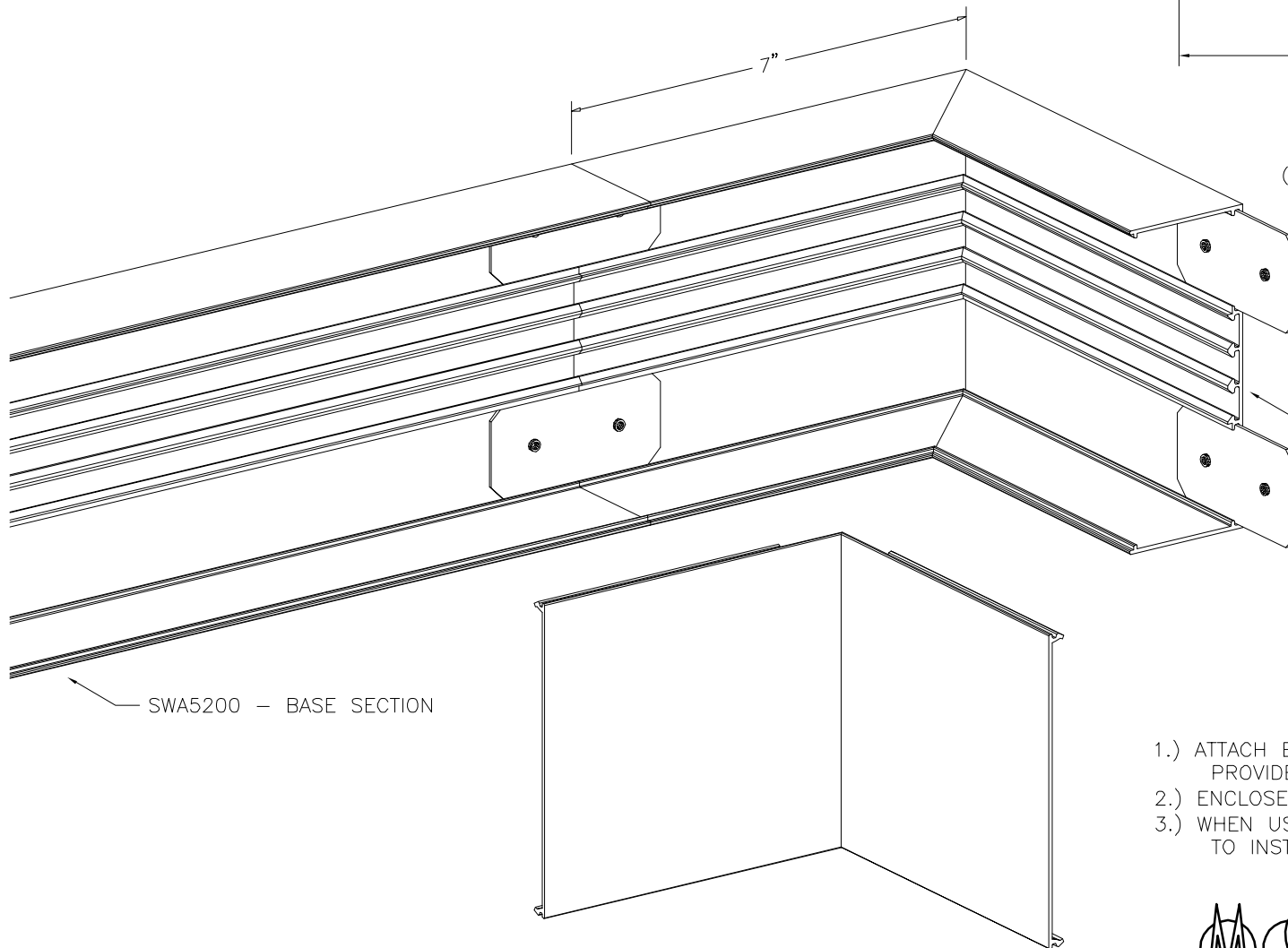


MONO-SYSTEMS, INC.
UNIQUE CABLE DISTRIBUTION SOLUTIONS
4 INTERNATIONAL DRIVE
RYE BROOK, NEW YORK 10573
PHONE: (914)-934-2075
FAX: (914)-934-2190

SWA5200 SERIES
 SWA5214 - INTERNAL ELBOW



SWA5200 SERIES
 ALUMINUM RACEWAY
 SECTION VIEW
 SATIN ANODIZED FINISH
 (EACH ORDERED SEPARATELY)



- 1.) ATTACH ELBOW TO RACEWAY USING PROVIDED COUPLINGS AS SHOWN.
- 2.) ENCLOSE ELBOW WITH COVER PROVIDED.
- 3.) WHEN USING OPTIONAL DIVIDER ENSURE TO INSTALL THROUGHOUT FITTING.

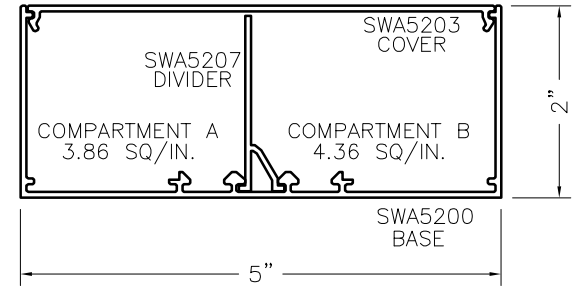


MONO-SYSTEMS, INC.
 UNIQUE CABLE DISTRIBUTION SOLUTIONS
 4 INTERNATIONAL DRIVE
 RYE BROOK, NEW YORK 10573
 PHONE: (914)-934-2075
 FAX: (914)-934-2190

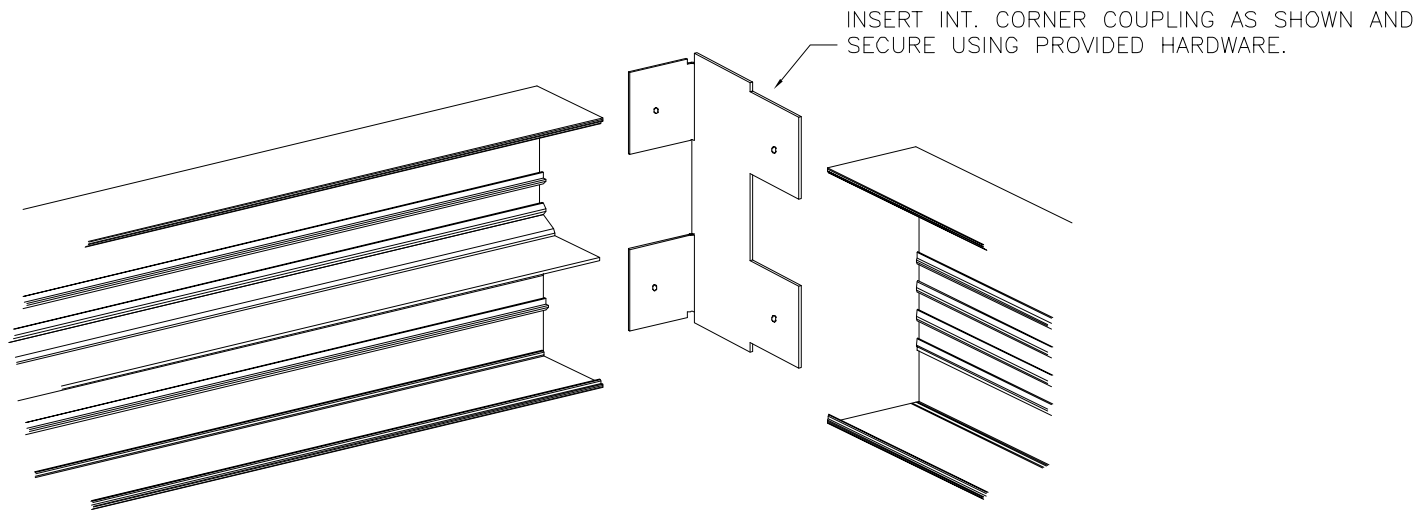
SWA5200 SERIES

SWA5214A – INTERNAL CORNER COUPLING

EACH ORDERED SEPARATELY.

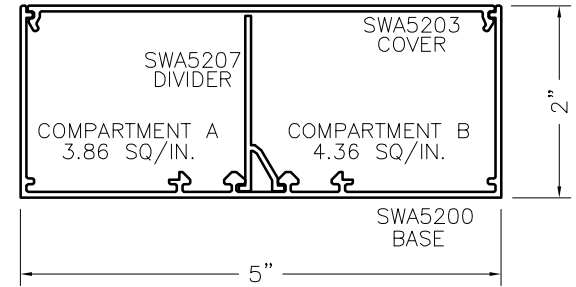


SWA5200 SERIES
ALUMINUM RACEWAY
SECTION VIEW
SATIN ANODIZED FINISH
(EACH ORDERED SEPARATELY)

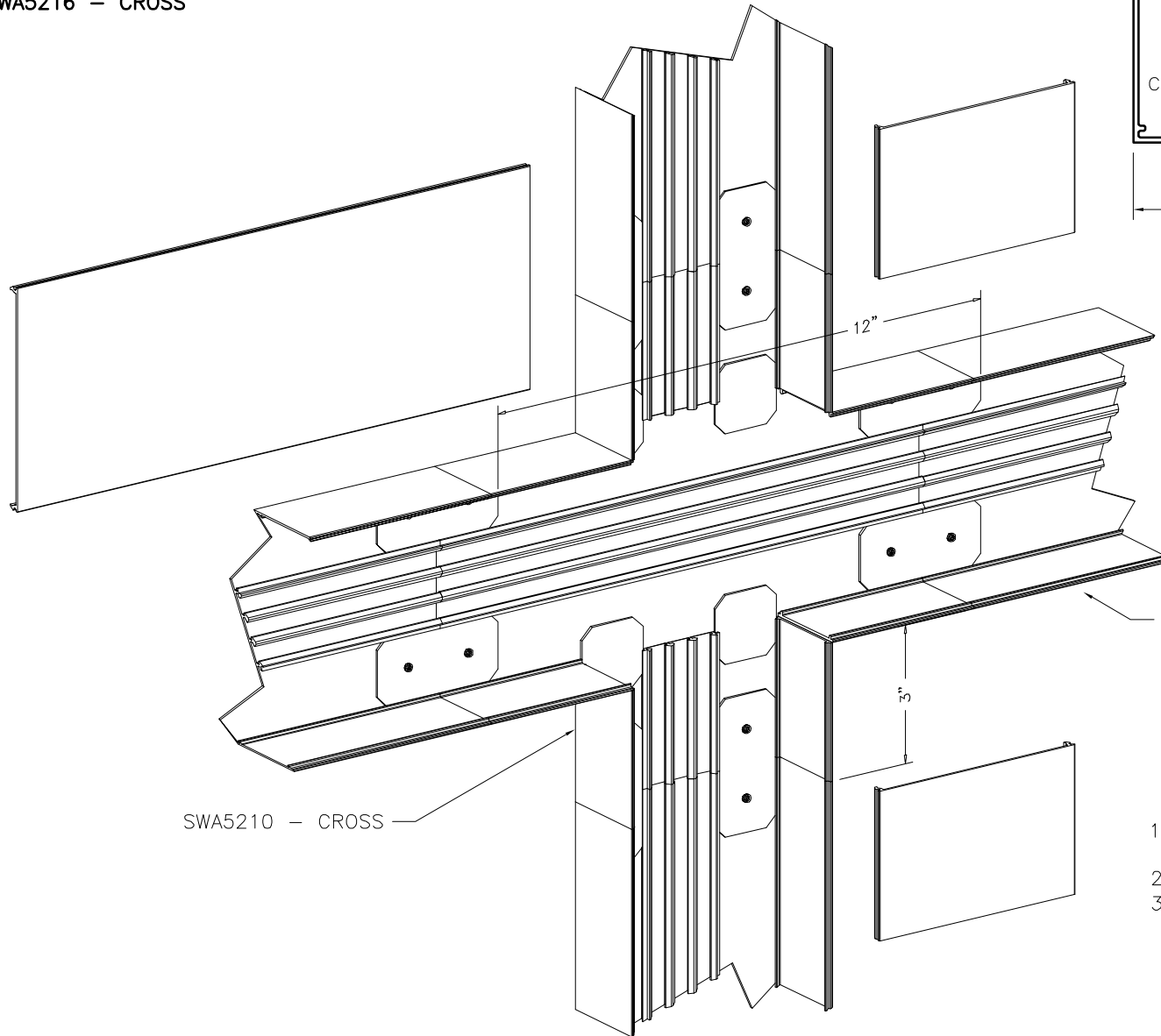


SWA5200 SERIES

SWA5216 - CROSS



SWA5200 SERIES
ALUMINUM RACEWAY
SECTION VIEW
SATIN ANODIZED FINISH
(EACH ORDERED SEPARATELY)



SWA5200 - BASE SECTION

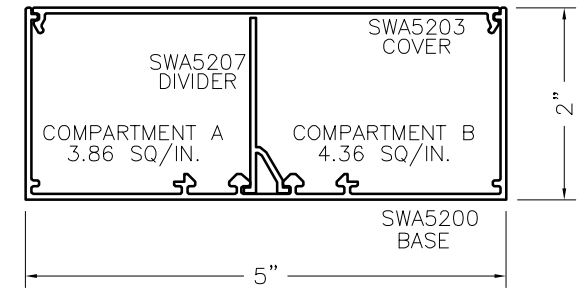
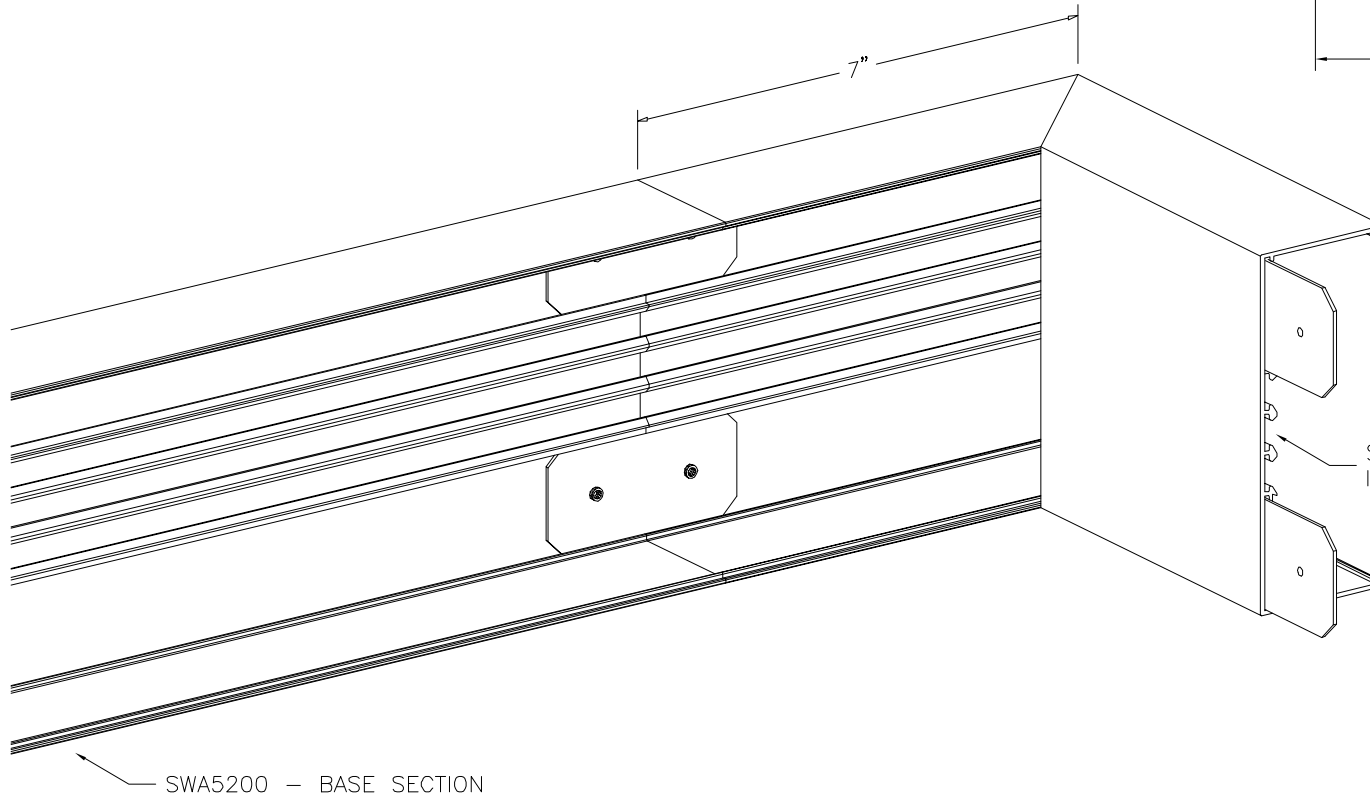
SWA5210 - CROSS

- 1.) ATTACH CROSS TO RACEWAY USING PROVIDED COUPLINGS AS SHOWN.
- 2.) ENCLOSE CROSS WITH COVER PROVIDED.
- 3.) WHEN USING OPTIONAL DIVIDER ENSURE TO INSTALL THROUGHOUT FITTING. MODIFICATIONS & OTHER MATERIALS BY OTHERS MAY BE REQUIRED.



MONO-SYSTEMS, INC.
UNIQUE CABLE DISTRIBUTION SOLUTIONS
4 INTERNATIONAL DRIVE
RYE BROOK, NEW YORK 10573
PHONE: (914)-934-2075
FAX: (914)-934-2190

SWA5200 SERIES
 SWA5217 - INVERTED INTERNAL ELBOW



SWA5200 SERIES
 ALUMINUM RACEWAY
 SECTION VIEW
 SATIN ANODIZED FINISH
 (EACH ORDERED SEPARATELY)

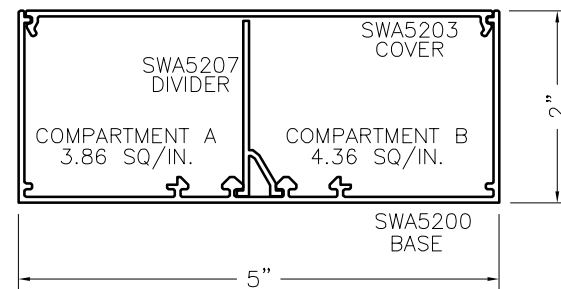
SWA5217
 INVERTED INTERNAL ELBOW

- 1.) ATTACH ELBOW TO RACEWAY USING PROVIDED COUPLINGS AS SHOWN.
- 2.) ENCLOSE USING PROVIDED COVERS.
- 3.) WHEN USING OPTIONAL DIVIDER ENSURE TO INSTALL THROUGHOUT FITTING.

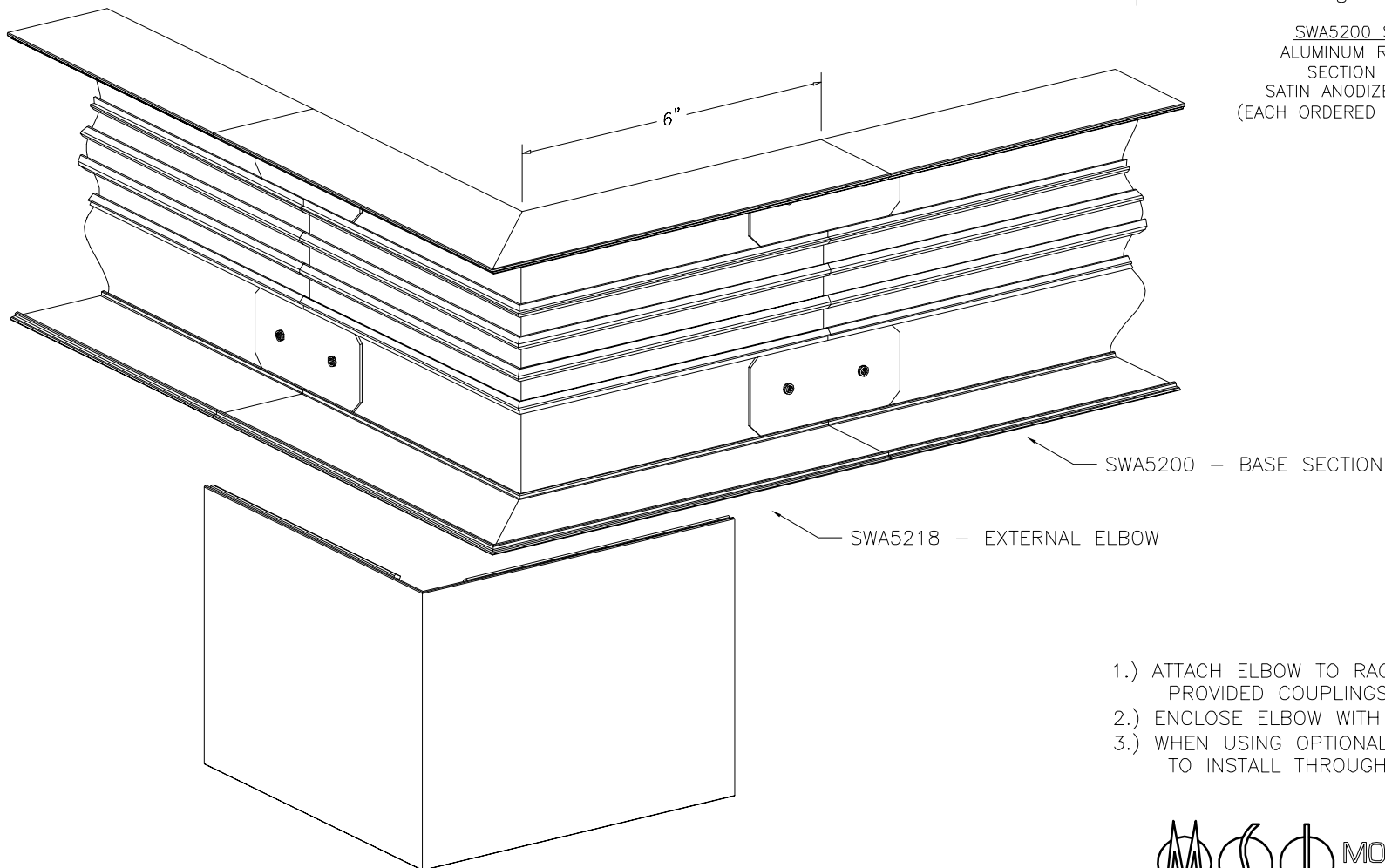


MONO-SYSTEMS, INC.
 UNIQUE CABLE DISTRIBUTION SOLUTIONS
 4 INTERNATIONAL DRIVE
 RYE BROOK, NEW YORK 10573
 PHONE: (914)-934-2075
 FAX: (914)-934-2190


SWA5200 SERIES
 SWA5218 - EXTERNAL ELBOW



SWA5200 SERIES
 ALUMINUM RACEWAY
 SECTION VIEW
 SATIN ANODIZED FINISH
 (EACH ORDERED SEPARATELY)

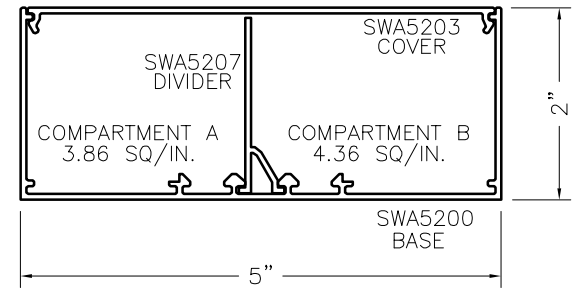


- 1.) ATTACH ELBOW TO RACEWAY USING PROVIDED COUPLINGS AS SHOWN.
- 2.) ENCLOSE ELBOW WITH COVER PROVIDED.
- 3.) WHEN USING OPTIONAL DIVIDER ENSURE TO INSTALL THROUGHOUT FITTING.


MONO-SYSTEMS, INC.
 UNIQUE CABLE DISTRIBUTION SOLUTIONS
 4 INTERNATIONAL DRIVE
 RYE BROOK, NEW YORK 10573
 PHONE: (914)-934-2075
 FAX: (914)-934-2190

SWA5200 SERIES
SWA5230 – WALL BOX FEED

- 1.) USING HARDWARE BY OTHERS ATTACH WALL BOX FEED TO EXISTING WALL BOX OR CONDUIT.
- 2.) ATTACH ELBOW TO RACEWAY USING PROVIDED COUPLINGS AS SHOWN.
- 3.) TERMINATE WIRING PER NEC AND LOCAL CODES. ENCLOSE ELBOW WITH COVER ORDERED SEPARATELY.
- 4.) WHEN USING OPTIONAL DIVIDER ENSURE TO INSTALL THROUGHOUT FITTING.



SWA5200 SERIES
 ALUMINUM RACEWAY
 SECTION VIEW
 SATIN ANODIZED FINISH
 (EACH ORDERED SEPARATELY)

