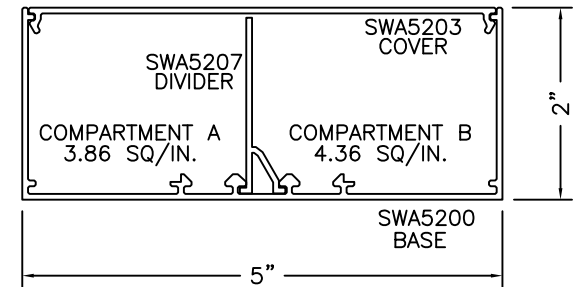
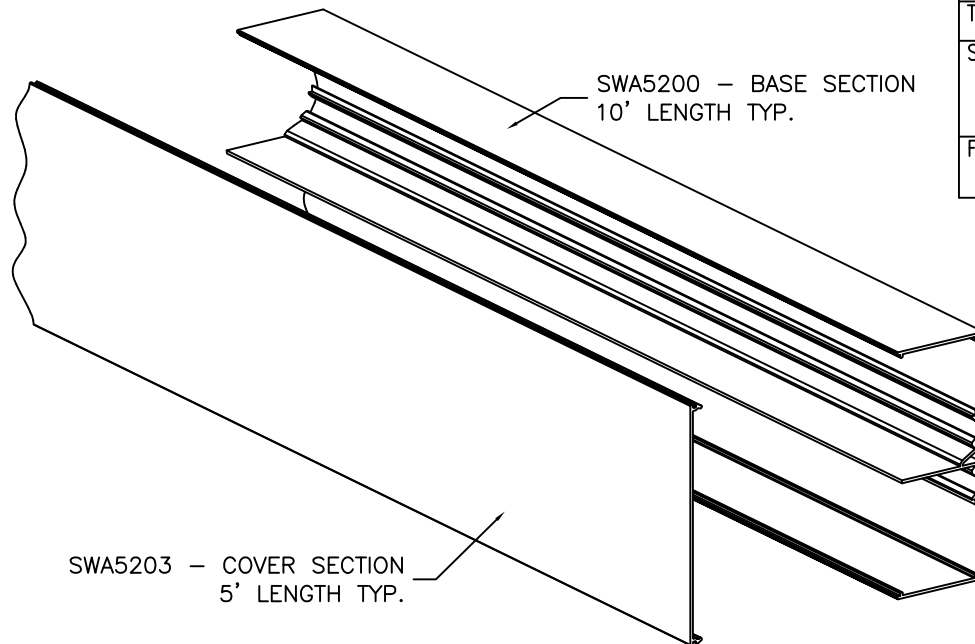


SWA5200 SERIES  
ALUMINUM SURFACE RACEWAY

SnapWay™  
SWA5200 Series

SWA5200 Aluminum Raceway Fill Capacity for Power				SWA5200 Aluminum Raceway Fill Capacity for Data/Comm.					
Compartment	WIRE SIZE THHN/THWN	40% FILL		CABLE TYPE	CATEGORY/DESIGNATION	20% FILL		40% FILL	
		A	B			A	B	A	B
Power Wiring Without Devices	6 AWG	30	34	Unshielded Twisted Pair	4-pair, 24 AWG Cat. 3	20	22	40	45
	8 AWG	42	48		4-pair, 24 AWG Cat. 5e	27	30	54	61
	10 AWG	84	98		4-pair, 24 AWG Cat. 6	15	17	31	35
	12 AWG	133	154	Telephone	2-pair, 24 AWG	50	56	100	113
	14 AWG	179	207		3-pair, 24 AWG	43	49	87	98
Power Wiring With Devices	6 AWG	19	24	4-pair, 24 AWG	27	30	54	61	
	8 AWG	27	34	25-pair, 24 AWG	5	6	11	13	
	10 AWG	55	68	Coaxial Cables	RG58/U	25	29	51	58
	12 AWG	88	108		RG59/U	16	18	33	37
	14 AWG	117	145		RG6/U	13	15	26	30
			Twinaxial	100 Ohm	9	10	18	20	
			Shielded Twisted Pair	TYPE 1	6	7	12	14	
				TYPE 2	4	5	9	10	
				TYPE 3	16	18	32	36	
			Fiber Optic	Two Strand (Duplex) Multimode 62.5/125 μm	27	30	54	61	



- 1.) RIGIDLY SECURE BASE SECTION TO STRUCTURAL BUILDING MEMBER OR WALL CONSTRUCTION AT 18" MAXIMUM MOUNTING CENTERS. VERIFY FASTENERS & MOUNTING INTERVAL BASED ON MOUNTING SURFACE CONSTRUCTION. (HARDWARE BY OTHERS)
- 2.) DIVIDE RACEWAY USING OPTIONAL SWA5207 DIVIDER STRIP LOCATED AS REQUIRED.
- 3.) TERMINATE ALL WIRING / DEVICES PER NEC AND LOCAL CODES.
- 4.) ENCLOSE RACEWAY USING SWA5203 COVER SECTIONS AND / OR MONO-SYSTEMS, INC. DEVICE COVER PLATES.



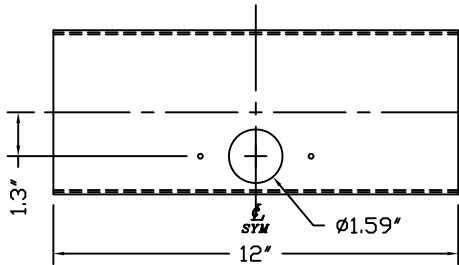
SWA5200 SERIES  
ALUMINUM RACEWAY  
SECTION VIEW  
SATIN ANODIZED FINISH  
(EACH ORDERED SEPARATELY)



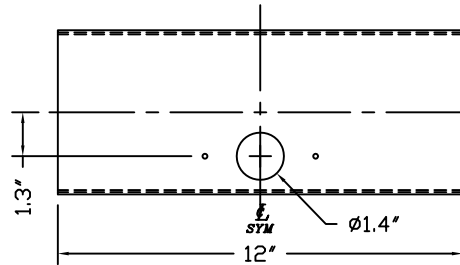
**MONO-SYSTEMS, INC.**  
UNIQUE CABLE DISTRIBUTION SOLUTIONS  
4 INTERNATIONAL DRIVE  
RYE BROOK, NEW YORK 10573  
PHONE: (914)-934-2075  
FAX: (914)-934-2190

SWA5200 SERIES DEVICE COVER PLATE OPTIONS

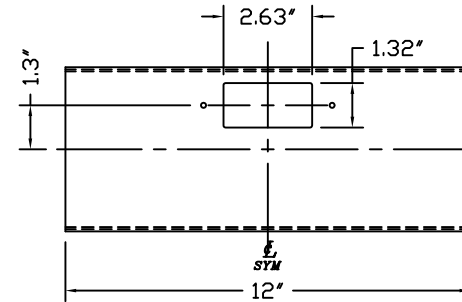
SnapWay  
SWA5200™ Series



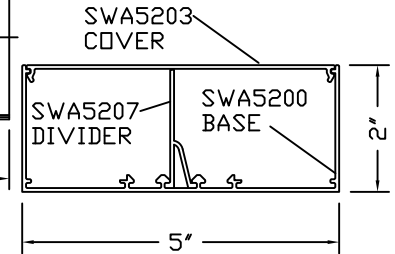
SWA5245  
TWIST LOCK RECT. PLATE



SWA5225  
SINGLE RECT. PLATE

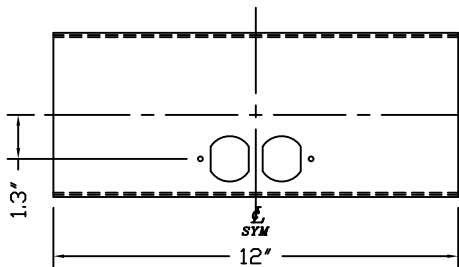


SWA5223  
DECOR PLATE

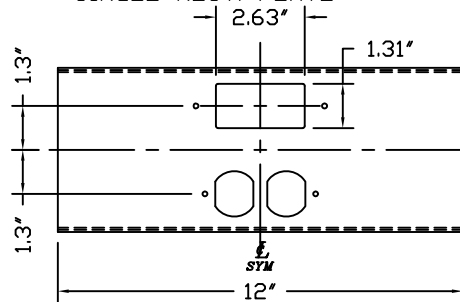


RACEWAY SECTION

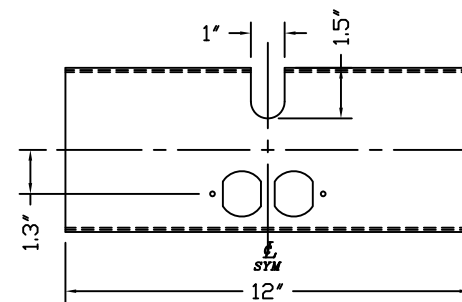
MATERIAL: ANODIZED ALUMINUM EXTRUSION.  
ALL ITEMS SHOWN ORDERED SEPARATELY.



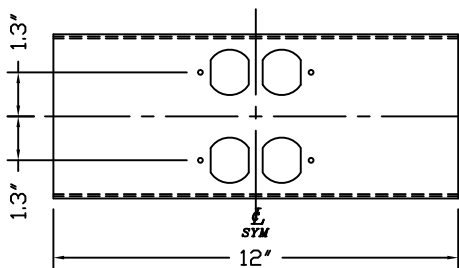
SWA5246  
DUPLEX PLATE



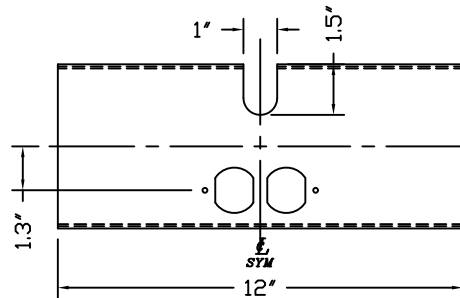
SWA5248  
DUPLEX / DECOR PLATE



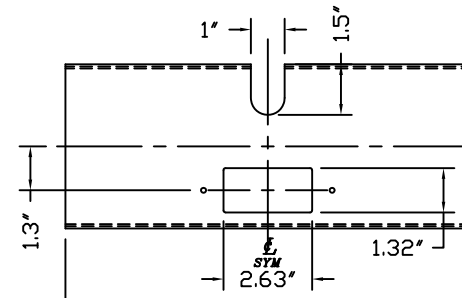
SWA5253  
MOUSE HOLE PLATE



SWA5246DD  
TWO GANG DUPLEX PLATE



SWA5254  
DUPLEX / MOUSE HOLE PLATE



SWA5255  
DECOR / MOUSE HOLE PLATE



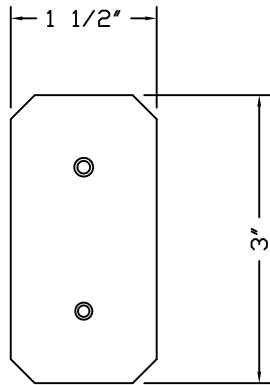
**MONO-SYSTEMS, INC.**  
UNIQUE CABLE DISTRIBUTION SOLUTIONS  
4 INTERNATIONAL DRIVE  
RYE BROOK, NEW YORK 10573  
PHONE: (914)-934-2075  
FAX: (914)-934-2190

# SnapWay SWA5200 SERIES

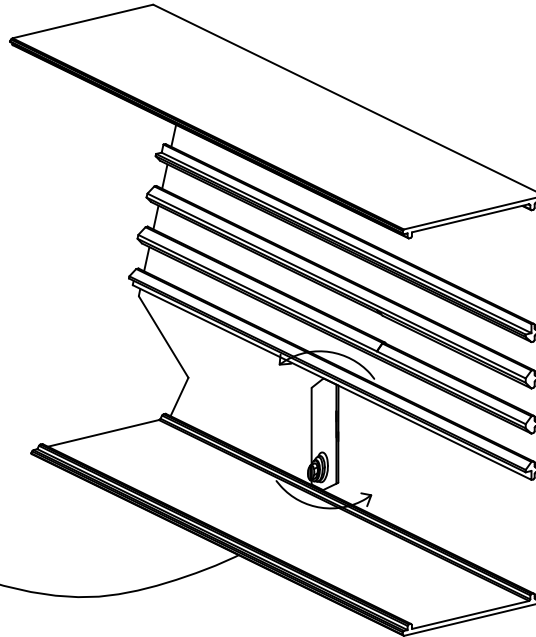
SWA52GC - GROUNDING ADAPTER CLIP

## SWA5200 Series

USE TO ATTACH INCOMING GROUND TO RACEWAY BASE ASSEMBLIES AND/OR TO INDIVIDUAL RECEPTACLES PER LOCAL CODES.

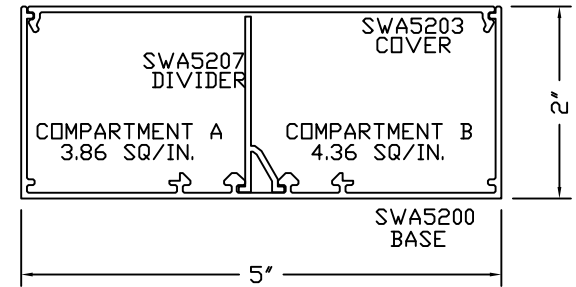


SWA52GC



SWA5200 - BASE SECTION

SWA52GC - GROUND CLIP



**SWA5200 SERIES**  
ALUMINUM RACEWAY  
SECTION VIEW  
SATIN ANODIZED FINISH  
(EACH ORDERED SEPARATELY)

1. INSERT GROUNDING ADAPTER INTO BASE SECTION AT ANGLE AS SHOWN.
2. ROTATE GROUNDING ADAPTER UNDERNEATH BASE FLANGES AS SHOWN.
3. SECURE GROUNDING ADAPTER TO BASE BY TIGHTENING INDICATED 8-32 SCREW.
4. ATTACH GROUND LEADS AS REQUIRED PER LOCAL CODES TO GREEN 10-32 GROUND SCREW.

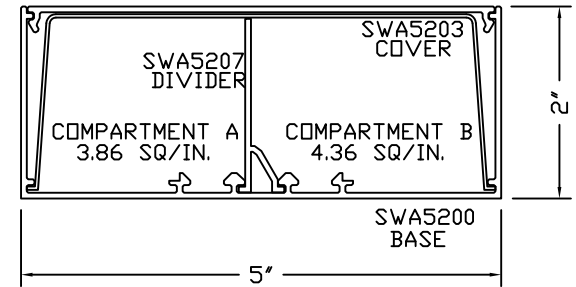


**MONO-SYSTEMS, INC.**  
UNIQUE CABLE DISTRIBUTION SOLUTIONS  
4 INTERNATIONAL DRIVE  
RYE BROOK, NEW YORK 10573  
PHONE: (914)-934-2075  
FAX: (914)-934-2190

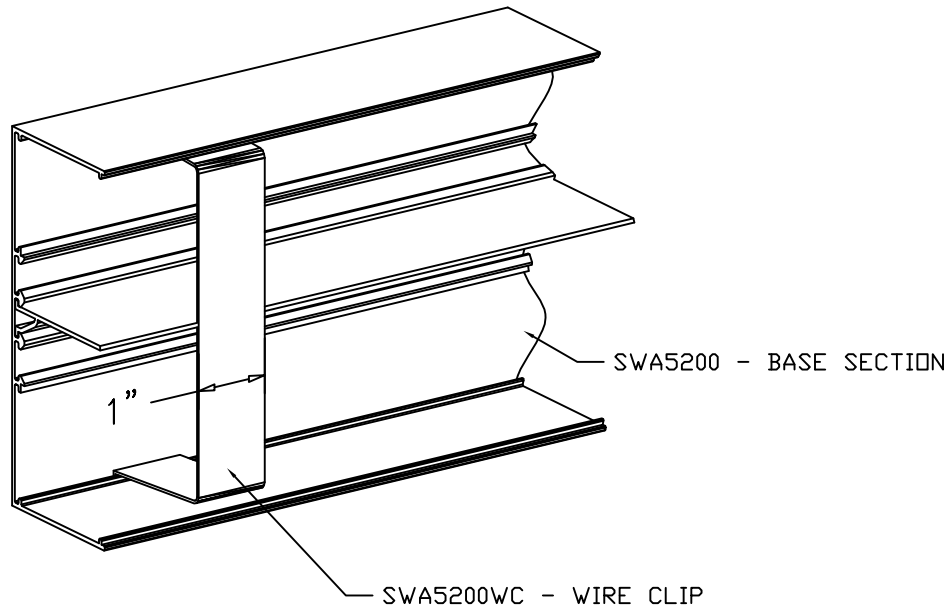
# SnapWay SWA5200™ Series

SWA5200 SERIES  
SWA5200WC - WIRE CLIP

EACH ORDERED SEPARATELY



SWA5200 SERIES  
ALUMINUM RACEWAY  
SECTION VIEW  
SATIN ANODIZED FINISH  
(EACH ORDERED SEPARATELY)

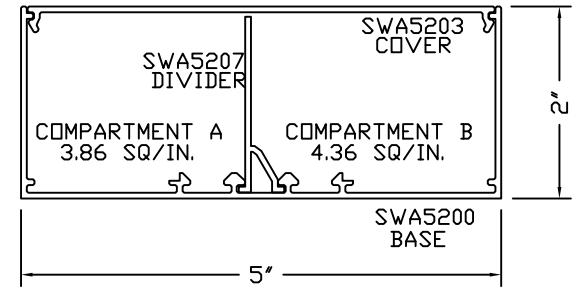


1.) SNAP WIRE CLIP OVER DIVIDER AS SHOWN

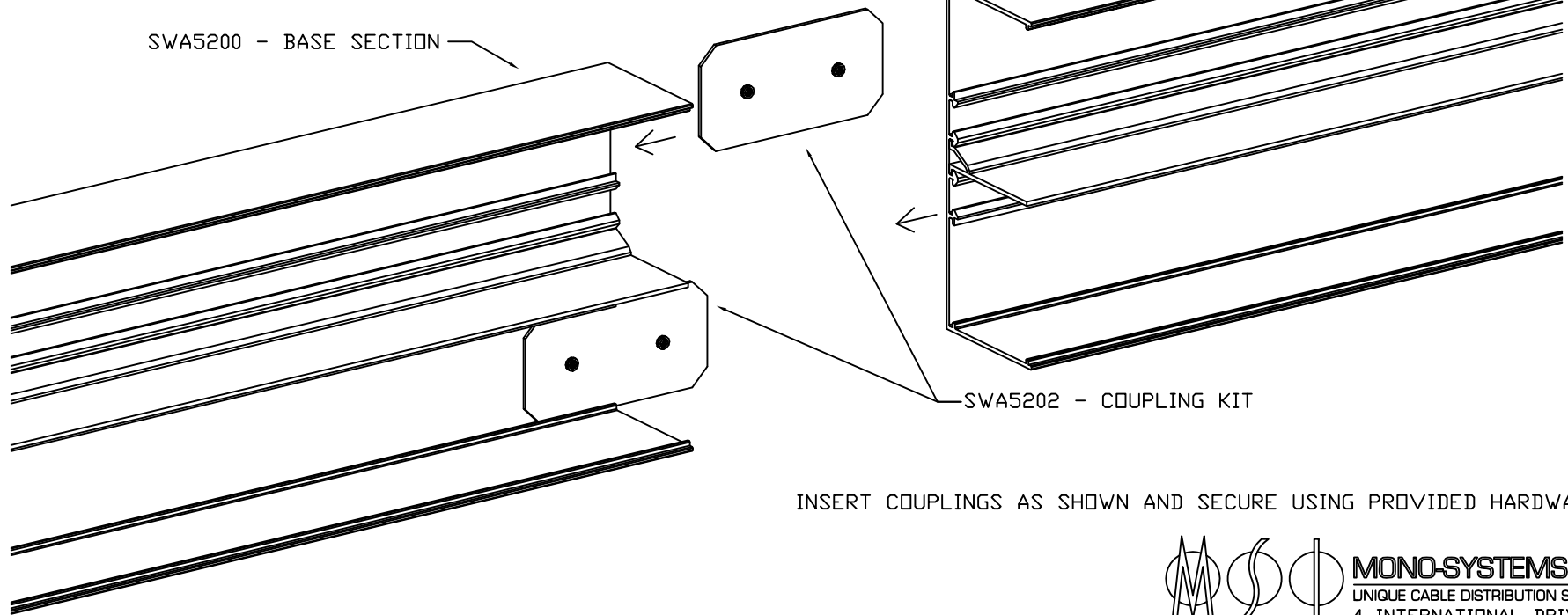


**MONO-SYSTEMS, INC.**  
UNIQUE CABLE DISTRIBUTION SOLUTIONS  
4 INTERNATIONAL DRIVE  
RYE BROOK, NEW YORK 10573  
PHONE: (914)-934-2075  
FAX: (914)-934-2190

SnapWay SWA5200 SERIES  
 SWA5202 - COUPLING KIT  
 SWA5200™ Series  
 PROVIDED IN PAIRS.



SWA5200 SERIES  
 ALUMINUM RACEWAY  
 SECTION VIEW  
 SATIN ANODIZED FINISH  
 (EACH ORDERED SEPARATELY)



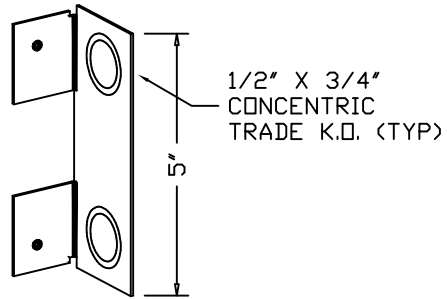
INSERT COUPLINGS AS SHOWN AND SECURE USING PROVIDED HARDWARE.



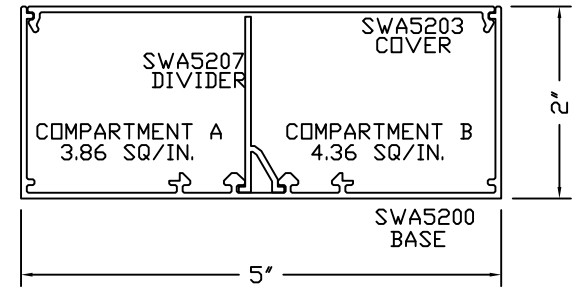
**MONO-SYSTEMS, INC.**  
 UNIQUE CABLE DISTRIBUTION SOLUTIONS  
 4 INTERNATIONAL DRIVE  
 RYE BROOK, NEW YORK 10573  
 PHONE: (914)-934-2075  
 FAX: (914)-934-2190

SnapWay  
 SWA5200™ Series  
 EACH ORDERED SEPARATELY.

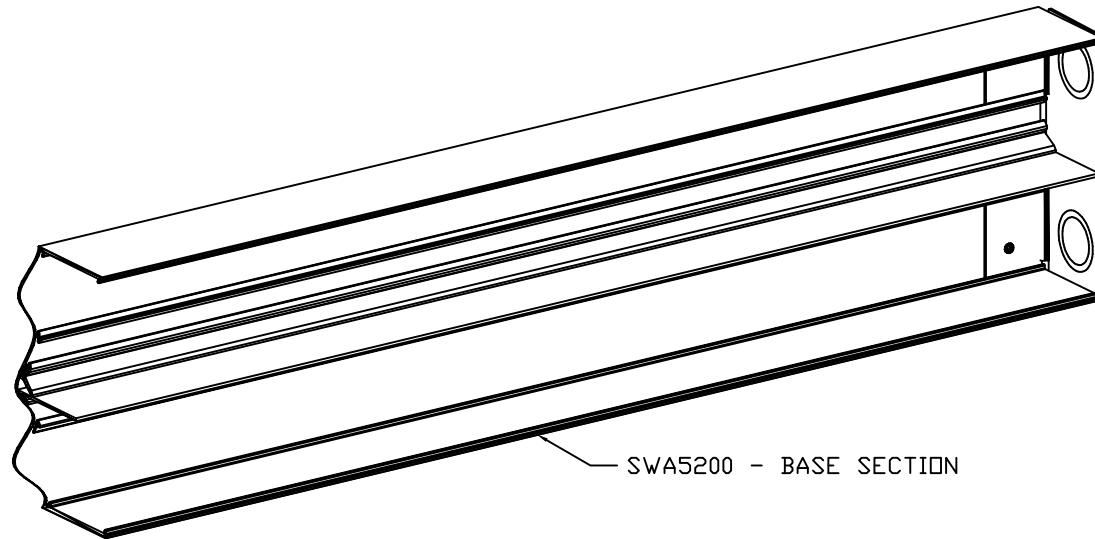
SWA5200 SERIES  
 SWA5204 - BLIND END



P/N: SWA5204



SWA5200 SERIES  
 ALUMINUM RACEWAY  
 SECTION VIEW  
 SATIN ANODIZED FINISH  
 (EACH ORDERED SEPARATELY)



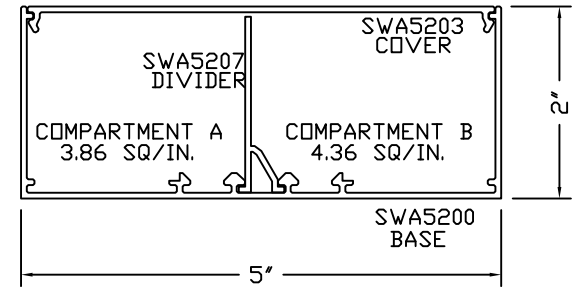
SWA5200 - BASE SECTION

INSERT BLANK END AS SHOWN AND  
 SECURE USING PROVIDED HARDWARE.

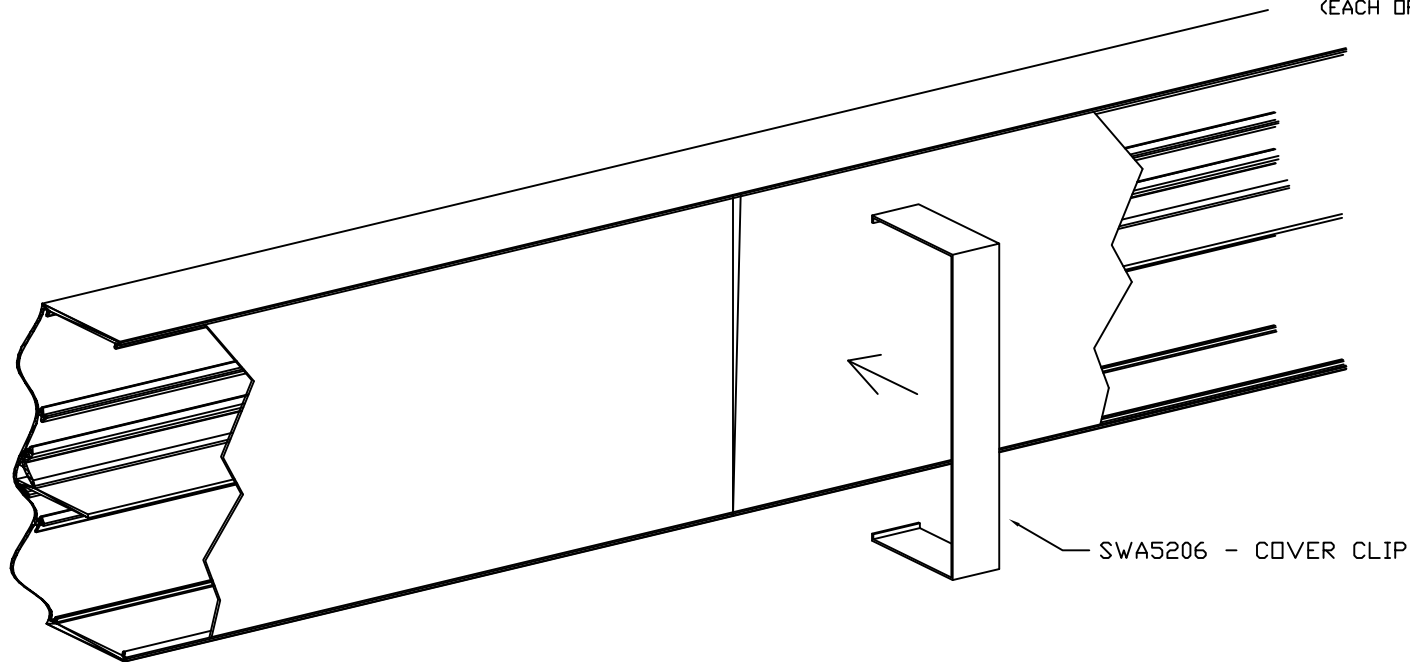


**MONO-SYSTEMS, INC.**  
 UNIQUE CABLE DISTRIBUTION SOLUTIONS  
 4 INTERNATIONAL DRIVE  
 RYE BROOK, NEW YORK 10573  
 PHONE: (914)-934-2075  
 FAX: (914)-934-2190

SnapWay SWA5200 SERIES  
 SWA5200™ Series SWA5206 - COVER CLIP



SWA5200 SERIES  
 ALUMINUM RACEWAY  
 SECTION VIEW  
 SATIN ANODIZED FINISH  
 (EACH ORDERED SEPARATELY)



1. SNAP OVER COVER SEAMS AS  
 REQUIRED.

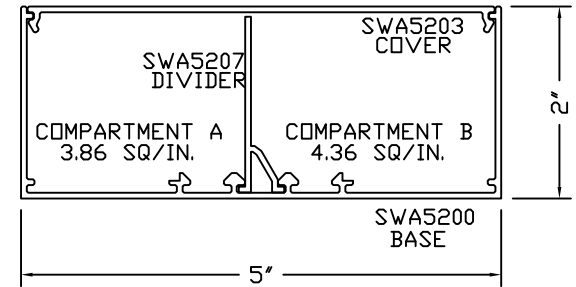


# SnapWay

## SWA5200™ Series

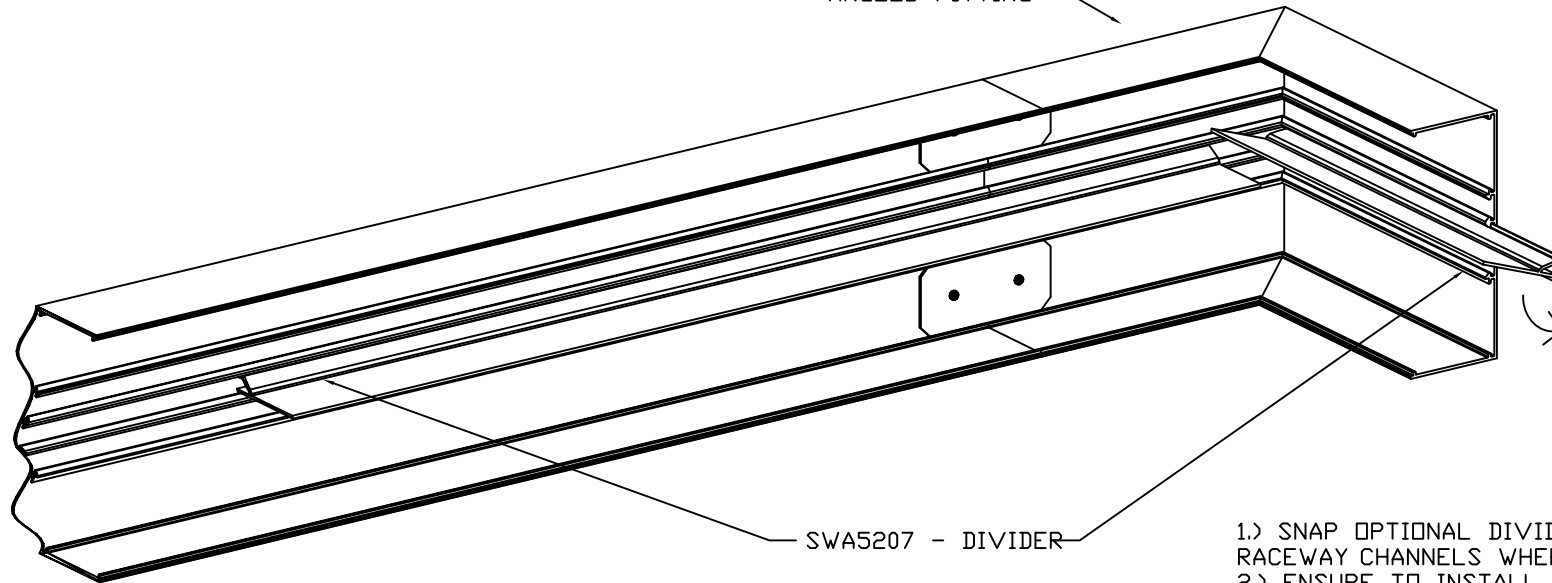
5' TYPICAL LENGTH

SWA5200 SERIES  
SWA5207 - DIVIDER STRIP



SWA5200 SERIES  
ALUMINUM RACEWAY  
SECTION VIEW  
SATIN ANODIZED FINISH  
(EACH ORDERED SEPARATELY)

ANGLED FITTING



SWA5200 - BASE SECTION

SWA5207 - DIVIDER

- 1.) SNAP OPTIONAL DIVIDER / DIVIDERS INTO RACEWAY CHANNELS WHERE REQUIRED AS SHOWN.
- 2.) ENSURE TO INSTALL DIVIDER STRIP THROUGHOUT ANGLED FITTINGS. SLIDE INTO FITTING CORNER AS NEEDED.

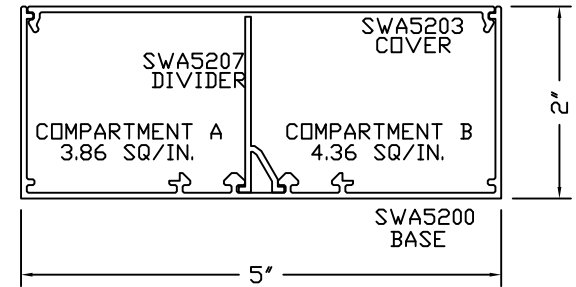


**MONO-SYSTEMS, INC.**

UNIQUE CABLE DISTRIBUTION SOLUTIONS  
4 INTERNATIONAL DRIVE  
RYE BROOK, NEW YORK 10573  
PHONE: (914)-934-2075  
FAX: (914)-934-2190

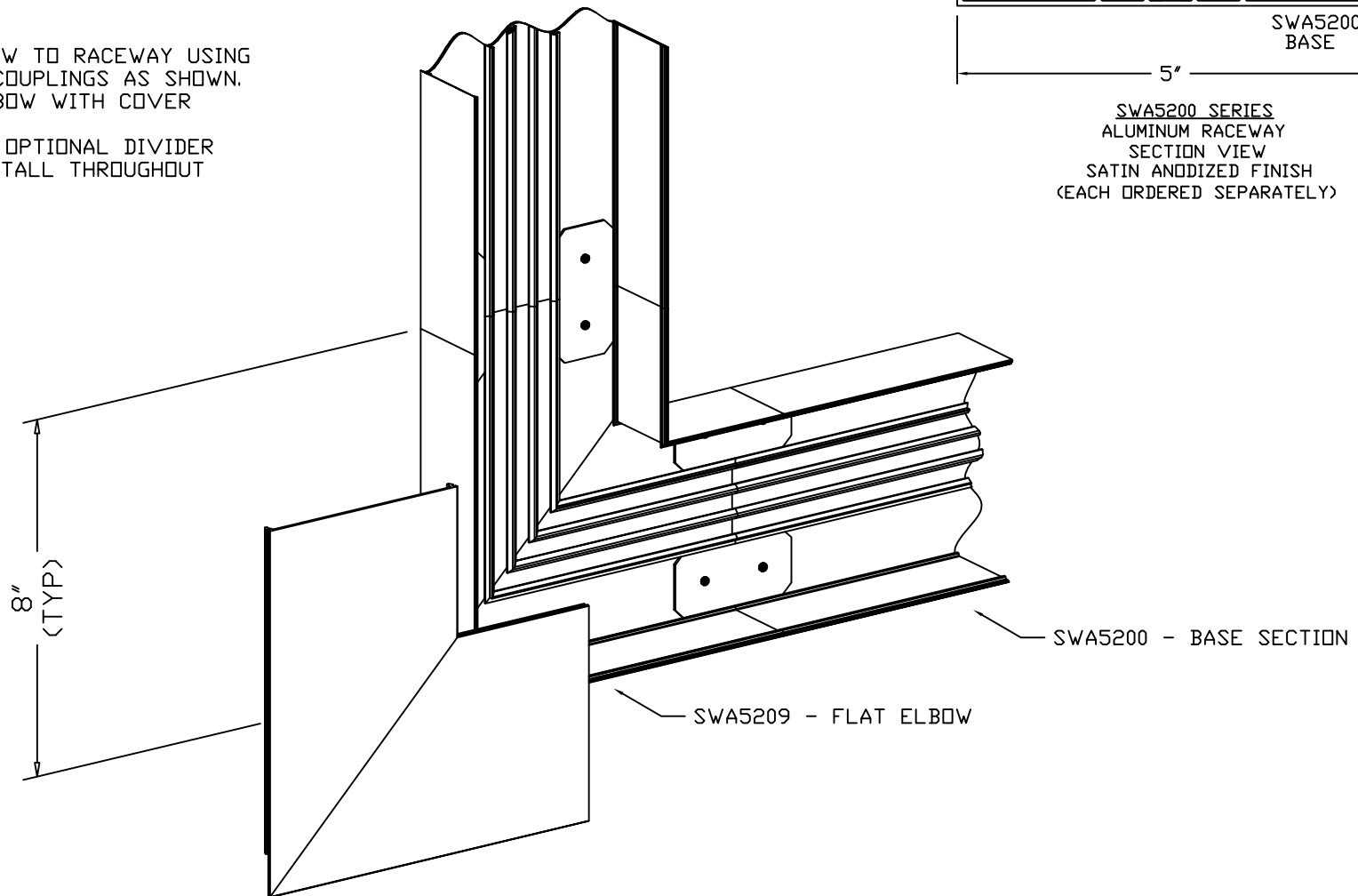
# SnapWay™ Series

SWA5200 SERIES  
SWA5209 - FLAT ELBOW



- 1.) ATTACH ELBOW TO RACEWAY USING PROVIDED COUPLINGS AS SHOWN.
- 2.) ENCLOSE ELBOW WITH COVER PROVIDED.
- 3.) WHEN USING OPTIONAL DIVIDER ENSURE TO INSTALL THROUGHOUT FITTING.

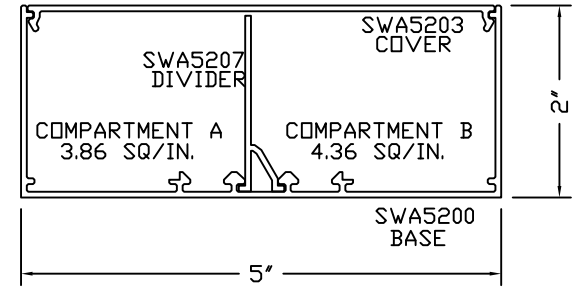
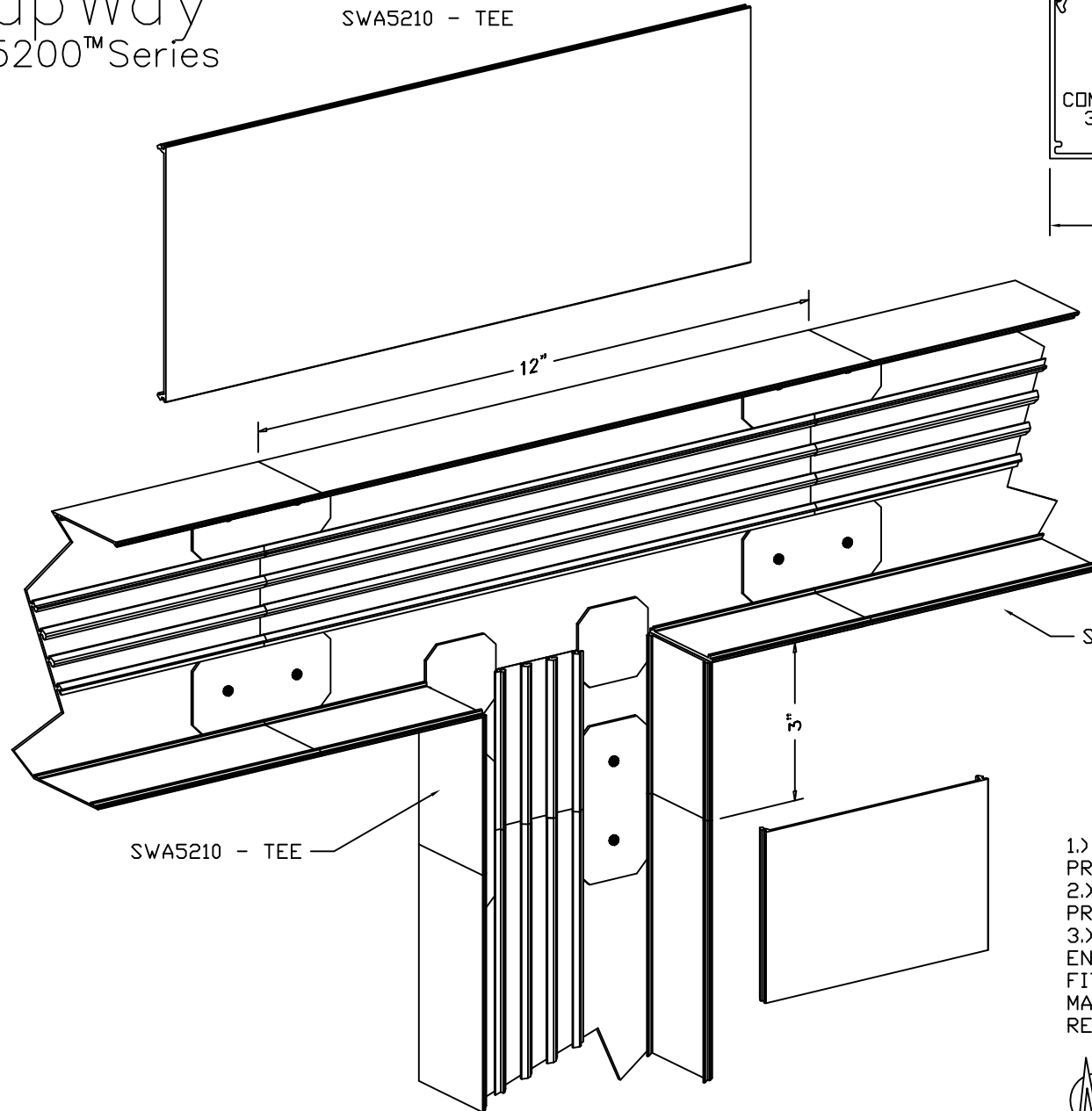
SWA5200 SERIES  
ALUMINUM RACEWAY  
SECTION VIEW  
SATIN ANODIZED FINISH  
(EACH ORDERED SEPARATELY)



# SnapWay

SWA5200™ Series

SWA5200 SERIES  
SWA5210 - TEE



SWA5200 SERIES  
ALUMINUM RACEWAY  
SECTION VIEW  
SATIN ANODIZED FINISH  
(EACH ORDERED SEPARATELY)

SWA5200 - BASE SECTION

SWA5210 - TEE

- 1.) ATTACH TEE TO RACEWAY USING PROVIDED COUPLINGS AS SHOWN.
- 2.) ENCLOSE TEE WITH COVER PROVIDED.
- 3.) WHEN USING OPTIONAL DIVIDER ENSURE TO INSTALL THROUGHOUT FITTING, MODIFICATIONS & OTHER MATERIALS BY OTHERS MAY BE REQUIRED.

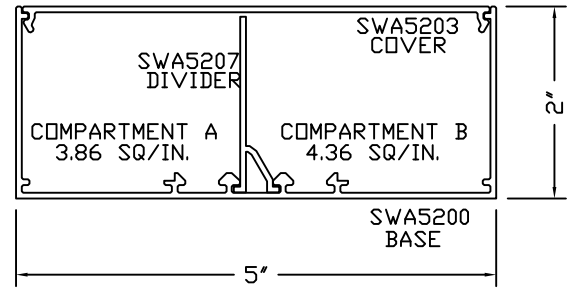


**MONO-SYSTEMS, INC.**  
UNIQUE CABLE DISTRIBUTION SOLUTIONS  
4 INTERNATIONAL DRIVE  
RYE BROOK, NEW YORK 10573  
PHONE: (914)-934-2075  
FAX: (914)-934-2190

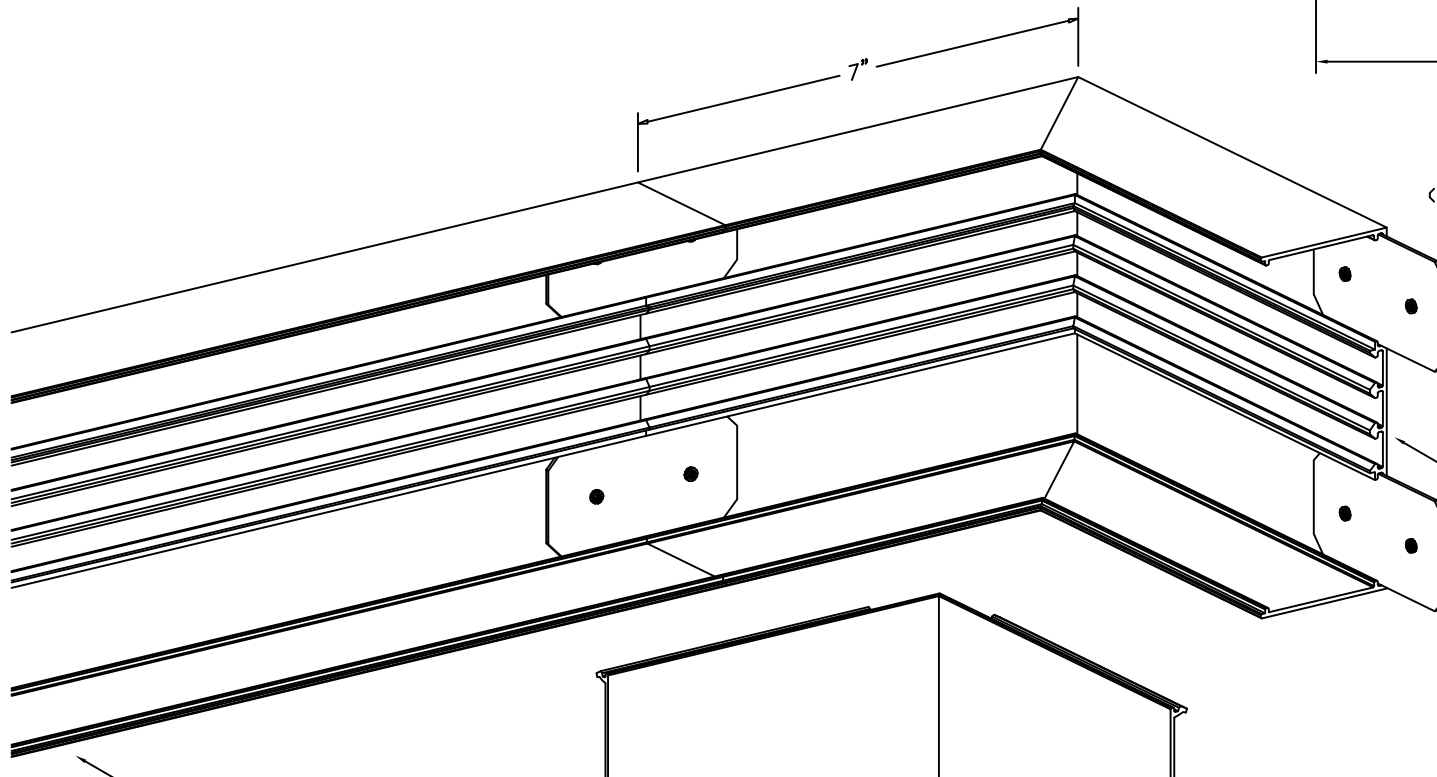
# SnapWay SWA5200 SERIES

SWA5214 - INTERNAL ELBOW

SWA5200™ Series



**SWA5200 SERIES**  
 ALUMINUM RACEWAY  
 SECTION VIEW  
 SATIN ANODIZED FINISH  
 (EACH ORDERED SEPARATELY)



SWA5214 - INTERNAL ELBOW

SWA5200 - BASE SECTION

- 1.) ATTACH ELBOW TO RACEWAY USING PROVIDED COUPLINGS AS SHOWN.
- 2.) ENCLOSE ELBOW WITH COVER PROVIDED.
- 3.) WHEN USING OPTIONAL DIVIDER ENSURE TO INSTALL THROUGHOUT FITTING.

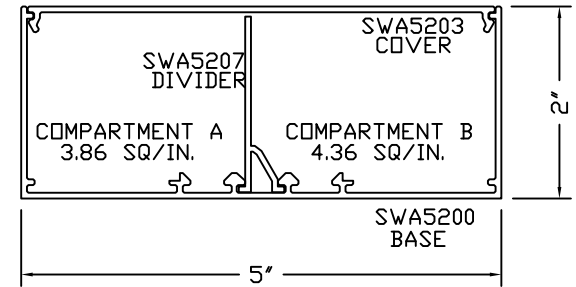


**MONO-SYSTEMS, INC.**  
 UNIQUE CABLE DISTRIBUTION SOLUTIONS  
 4 INTERNATIONAL DRIVE  
 RYE BROOK, NEW YORK 10573  
 PHONE: (914)-934-2075  
 FAX: (914)-934-2190

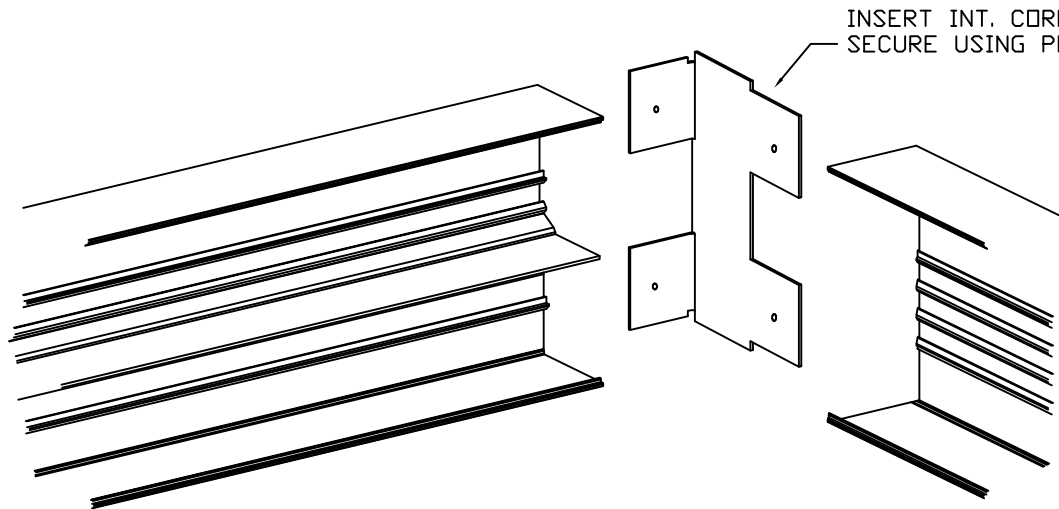
# SnapWay SWA5200™ Series

SWA5200 SERIES  
SWA5214A - INTERNAL CORNER COUPLING

EACH ORDERED SEPARATELY.



SWA5200 SERIES  
ALUMINUM RACEWAY  
SECTION VIEW  
SATIN ANODIZED FINISH  
(EACH ORDERED SEPARATELY)



INSERT INT. CORNER COUPLING AS SHOWN AND  
SECURE USING PROVIDED HARDWARE.

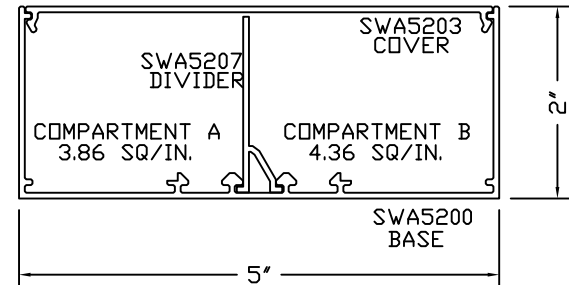
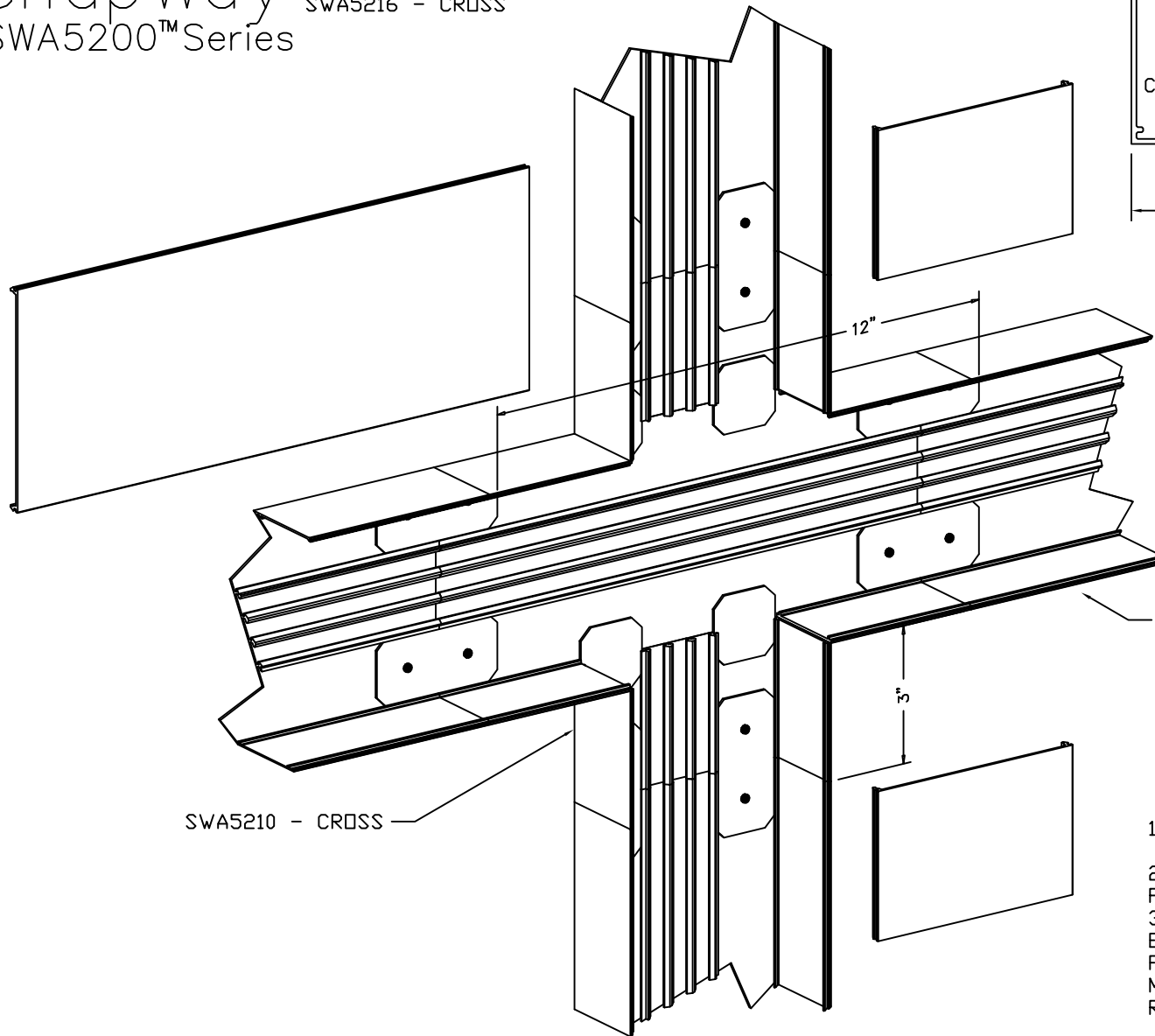


**MONO-SYSTEMS, INC.**

UNIQUE CABLE DISTRIBUTION SOLUTIONS  
4 INTERNATIONAL DRIVE  
RYE BROOK, NEW YORK 10573  
PHONE: (914)-934-2075  
FAX: (914)-934-2190

# SnapWay SWA5200 SERIES

SWA5216 - CROSS  
SWA5200™ Series



**SWA5200 SERIES**  
ALUMINUM RACEWAY  
SECTION VIEW  
SATIN ANODIZED FINISH  
(EACH ORDERED SEPARATELY)

SWA5200 - BASE SECTION

SWA5210 - CROSS

- 1.) ATTACH CROSS TO RACEWAY USING PROVIDED COUPLINGS AS SHOWN.
- 2.) ENCLOSE CROSS WITH COVER PROVIDED.
- 3.) WHEN USING OPTIONAL DIVIDER ENSURE TO INSTALL THROUGHOUT FITTING. MODIFICATIONS & OTHER MATERIALS BY OTHERS MAY BE REQUIRED.

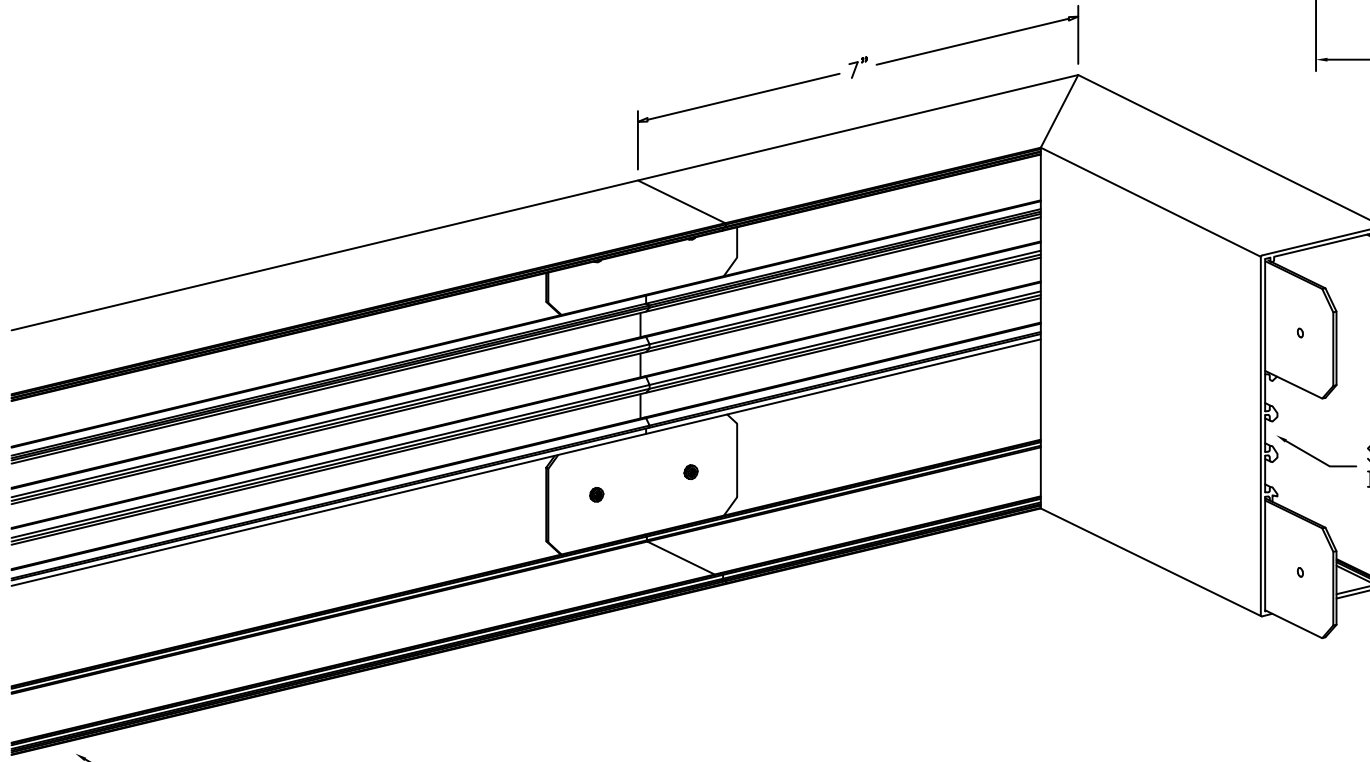


**MONO-SYSTEMS, INC.**  
UNIQUE CABLE DISTRIBUTION SOLUTIONS  
4 INTERNATIONAL DRIVE  
RYE BROOK, NEW YORK 10573  
PHONE: (914)-934-2075  
FAX: (914)-934-2190

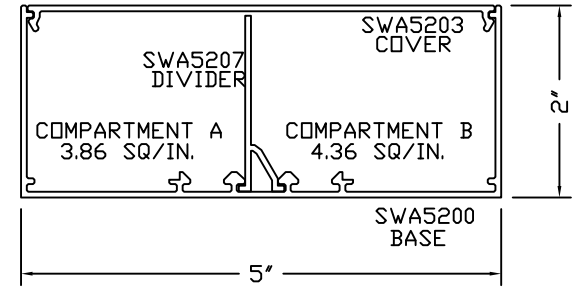
# SnapWay

SWA5200™ Series

SWA5200 SERIES  
SWA5217 - INVERTED INTERNAL ELBOW



SWA5200 - BASE SECTION



SWA5200 SERIES  
ALUMINUM RACEWAY  
SECTION VIEW  
SATIN ANODIZED FINISH  
(EACH ORDERED SEPARATELY)

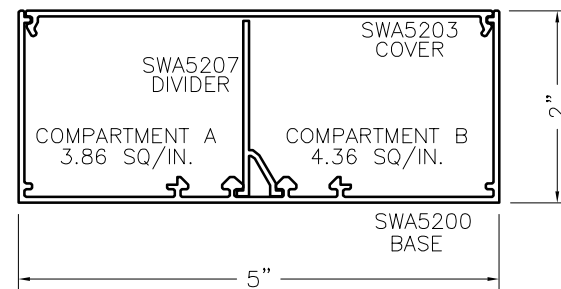
SWA5217  
INVERTED INTERNAL ELBOW

- 1.) ATTACH ELBOW TO RACEWAY USING PROVIDED COUPLINGS AS SHOWN.
- 2.) ENCLOSE USING PROVIDED COVERS.
- 3.) WHEN USING OPTIONAL DIVIDER ENSURE TO INSTALL THROUGHOUT FITTING.

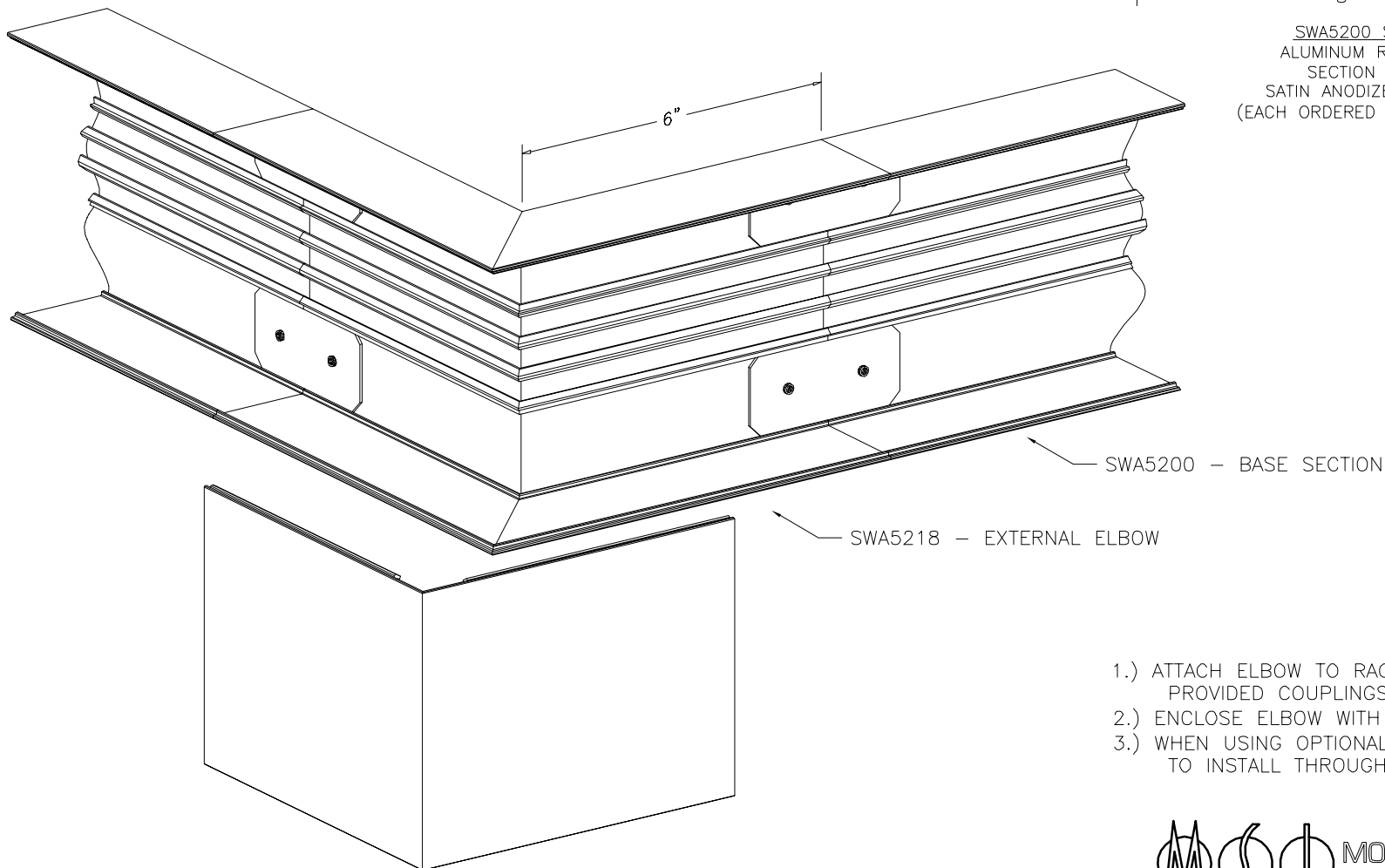


**MONO-SYSTEMS, INC.**  
UNIQUE CABLE DISTRIBUTION SOLUTIONS  
4 INTERNATIONAL DRIVE  
RYE BROOK, NEW YORK 10573  
PHONE: (914)-934-2075  
FAX: (914)-934-2190

SWA5200 SERIES  
 SWA5218 - EXTERNAL ELBOW



SWA5200 SERIES  
 ALUMINUM RACEWAY  
 SECTION VIEW  
 SATIN ANODIZED FINISH  
 (EACH ORDERED SEPARATELY)



- 1.) ATTACH ELBOW TO RACEWAY USING PROVIDED COUPLINGS AS SHOWN.
- 2.) ENCLOSE ELBOW WITH COVER PROVIDED.
- 3.) WHEN USING OPTIONAL DIVIDER ENSURE TO INSTALL THROUGHOUT FITTING.



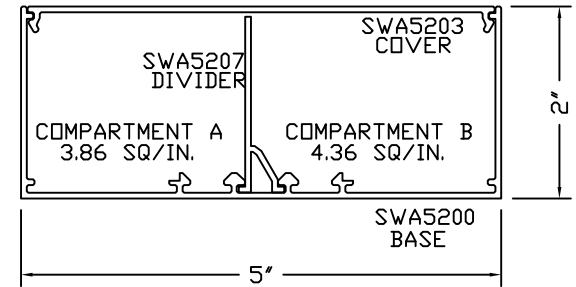
**MONO-SYSTEMS, INC.**  
 UNIQUE CABLE DISTRIBUTION SOLUTIONS  
 4 INTERNATIONAL DRIVE  
 RYE BROOK, NEW YORK 10573  
 PHONE: (914)-934-2075  
 FAX: (914)-934-2190

# SnapWay

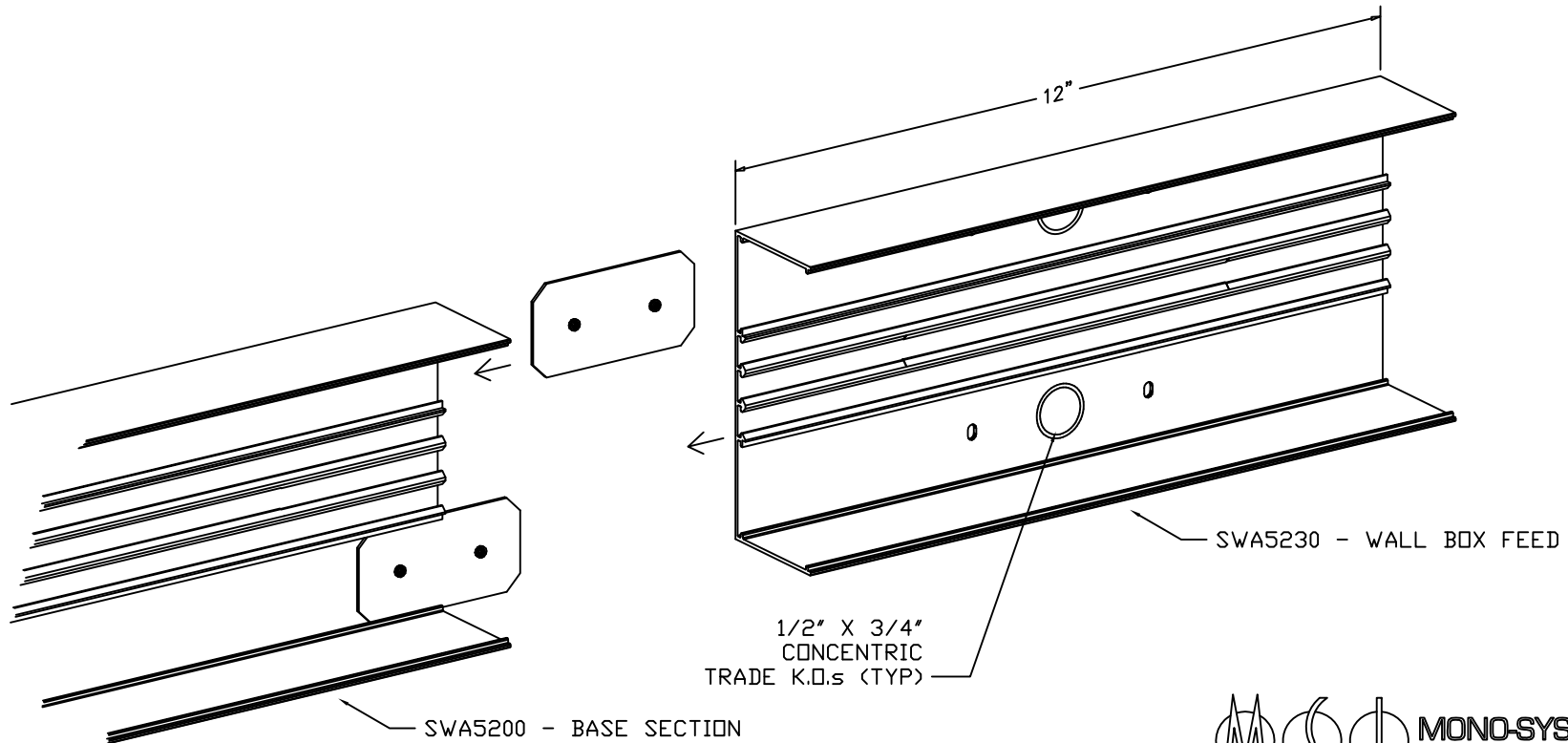
## SWA5200™ Series

SWA5200 SERIES  
SWA5230 - WALL BOX FEED

- 1.) USING HARDWARE BY OTHERS ATTACH WALL BOX FEED TO EXISTING WALL BOX OR CONDUIT.
- 2.) ATTACH ELBOW TO RACEWAY USING PROVIDED COUPLINGS AS SHOWN.
- 3.) TERMINATE WIRING PER NEC AND LOCAL CODES. ENCLOSE ELBOW WITH COVER ORDERED SEPARATELY.
- 4.) WHEN USING OPTIONAL DIVIDER ENSURE TO INSTALL THROUGHOUT FITTING.



SWA5200 SERIES  
ALUMINUM RACEWAY  
SECTION VIEW  
SATIN ANODIZED FINISH  
(EACH ORDERED SEPARATELY)



**MONO-SYSTEMS, INC.**  
UNIQUE CABLE DISTRIBUTION SOLUTIONS  
4 INTERNATIONAL DRIVE  
RYE BROOK, NEW YORK 10573  
PHONE: (914)-934-2075  
FAX: (914)-934-2190