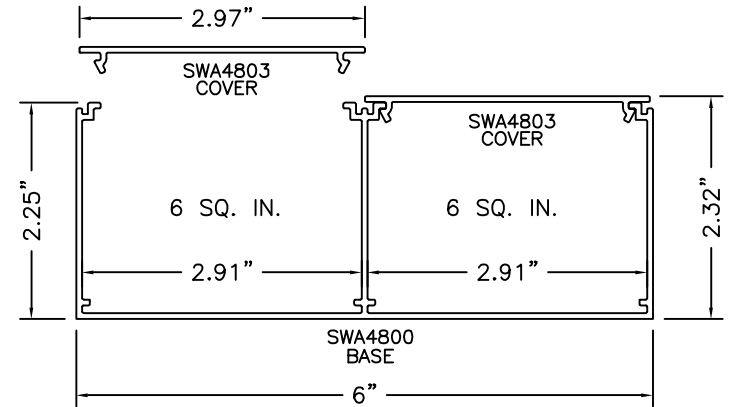
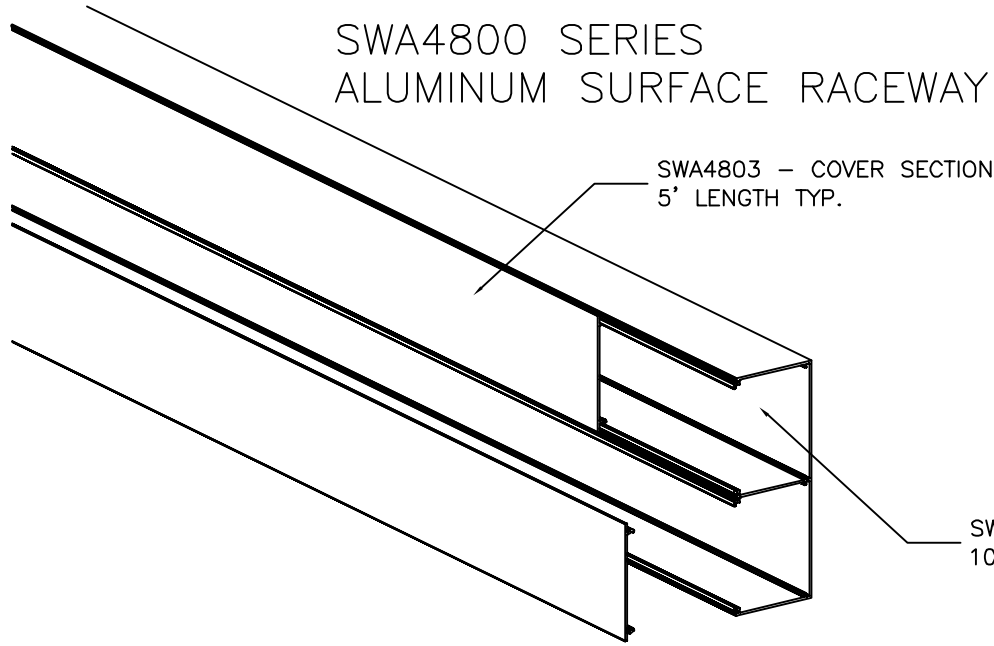


SWA4800 SERIES ALUMINUM SURFACE RACEWAY



SWA4800 - BASE SECTION
10' LENGTH TYP.

SWA4800 SERIES
ALUMINUM RACEWAY
SECTION VIEW
SATIN ANNOZIDIZED FINISH
(EACH ORDERED SEPARATELY)

CABLE TYPE	CATEGORY/DESIGNATION	20% FILL	40% FILL
Unshielded Twisted Pair	4-pair, 24 AWG Cat. 5 UTP	31	62
	4-pair, 24 AWG Cat. 3 UTP	41	83
Telephone	2-pair, 24 AWG	77	154
	3-pair, 24 AWG	67	134
	4-pair, 24 AWG	41	83
	25-pair, 24 AWG	8	17
	Coaxial Cables	RG58/U	39
	RG59/U	25	51
	RG62/U	25	51
	RG6/U	20	41
Twinaxial	100 Ohm	13	27
Shielded Twisted Pair	TYPE 1	9	19
	TYPE 2	6	13
	TYPE 3	25	50
Fiber Optic	Two Strand (Duplex) Multimode 62.5/125 μm	41	83

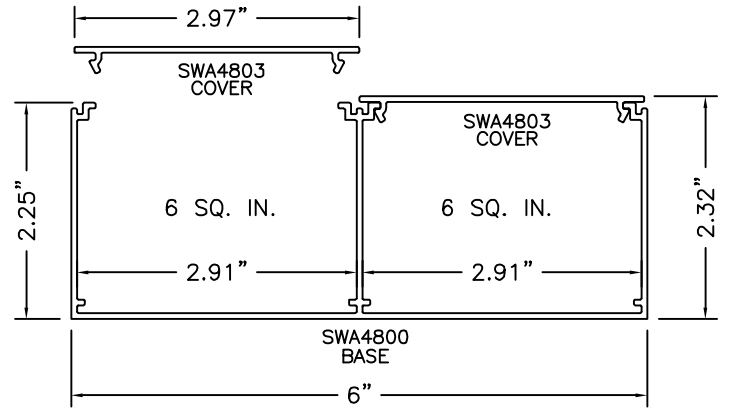
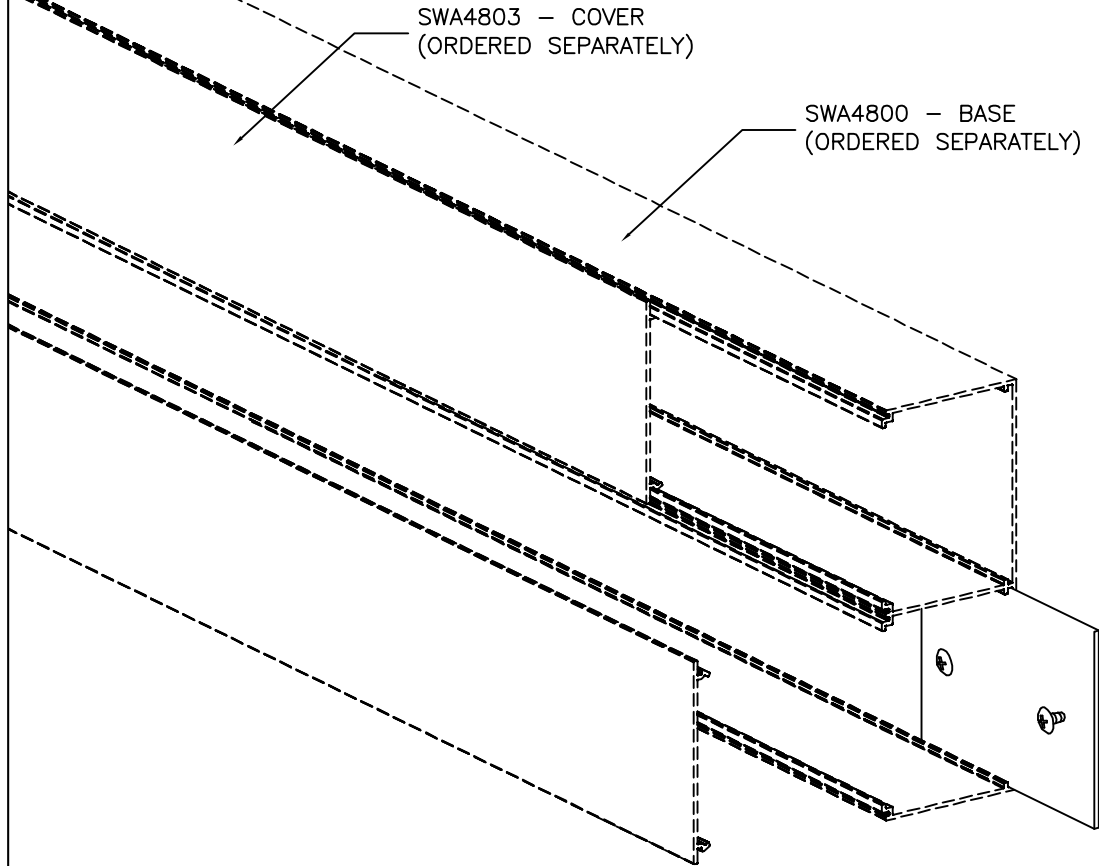
	WIRE SIZE THHN/THWN	40% FILL
Power Wiring Without Devices	6 AWG	41
	8 AWG	56
	10 AWG	98
	12 AWG	156
Power Wiring With Devices (2.04 Sq. In. [51.82mm])	14 AWG	214
	6 AWG	30
	8 AWG	42
	10 AWG	73
	12 AWG	116
	14 AWG	159

RIGIDLY SECURE BASE SECTION TO STRUCTURAL BUILDING MEMBER OR WALL CONSTRUCTION AT 18" MAXIMUM MOUNTING CENTERS. ENGINEER TO VERIFY FASTENERS & MOUNTING INTERVAL BASED ON MOUNTING SURFACE CONSTRUCTION. (HARDWARE BY OTHERS)

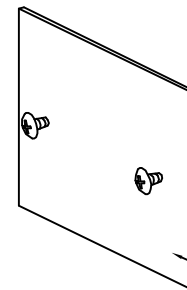


MONO-SYSTEMS, INC.
UNIQUE CABLE DISTRIBUTION SOLUTIONS
4 INTERNATIONAL DRIVE
RYE BROOK, NEW YORK 10573
PHONE: (914)-934-2075
FAX: (914)-934-2190

SWA4800 SERIES
SWA4802 - COUPLING



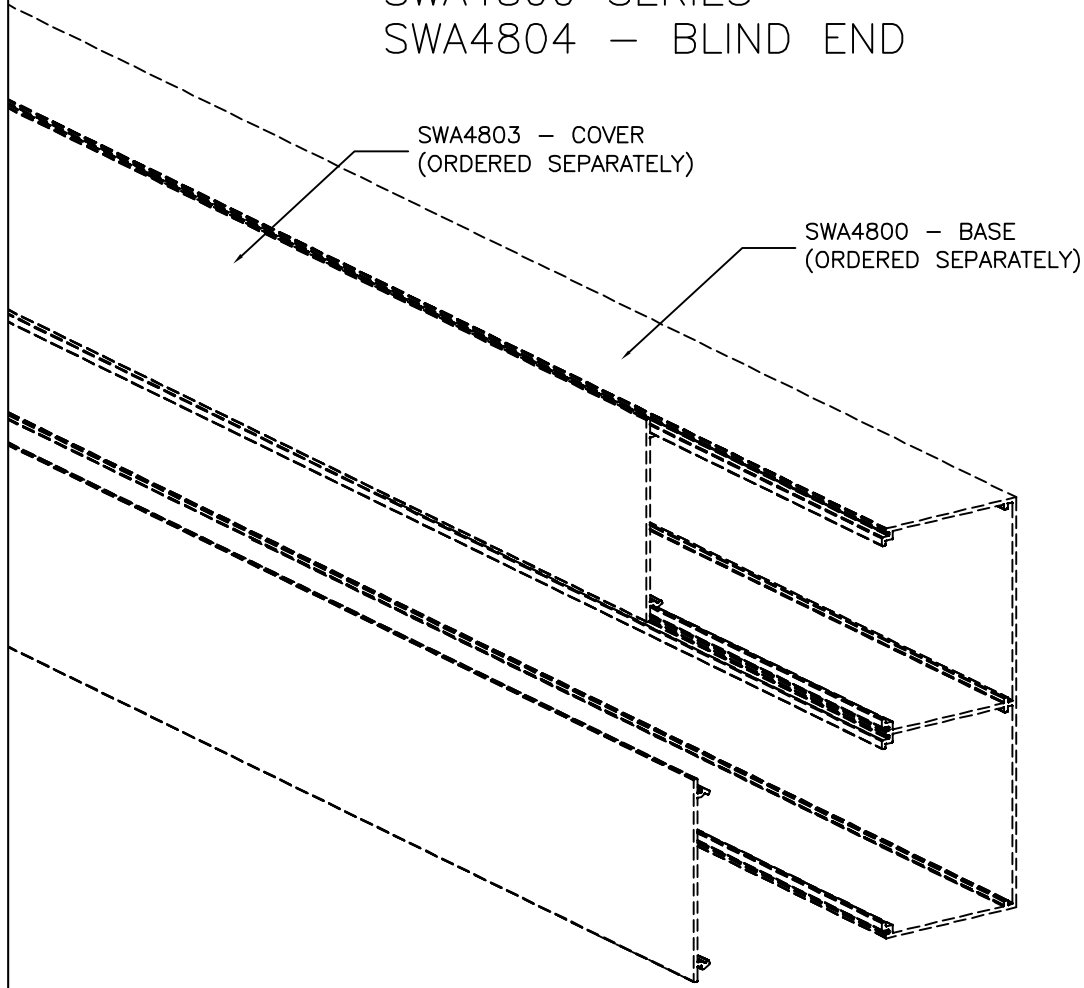
SWA4800 SERIES
ALUMINUM RACEWAY
SECTION VIEW
SATIN ANNOIDIZED FINISH
(EACH ORDERED SEPARATELY)



SWA4802 - COUPLING
SOLD IN PAIRS AS SHOWN
(ASSY. HARDWARE INC.)

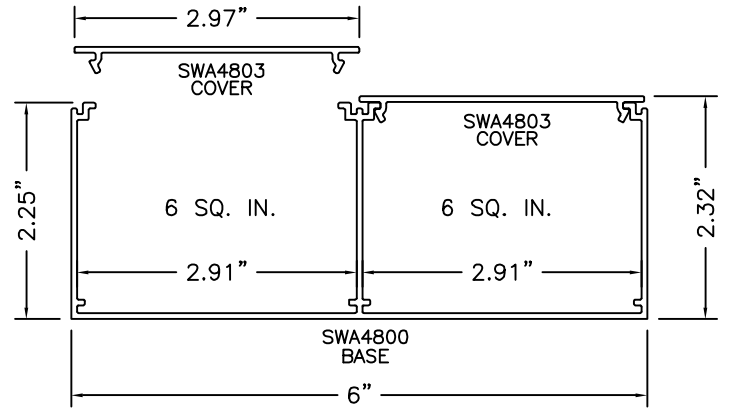


SWA4800 SERIES
 SWA4804 – BLIND END

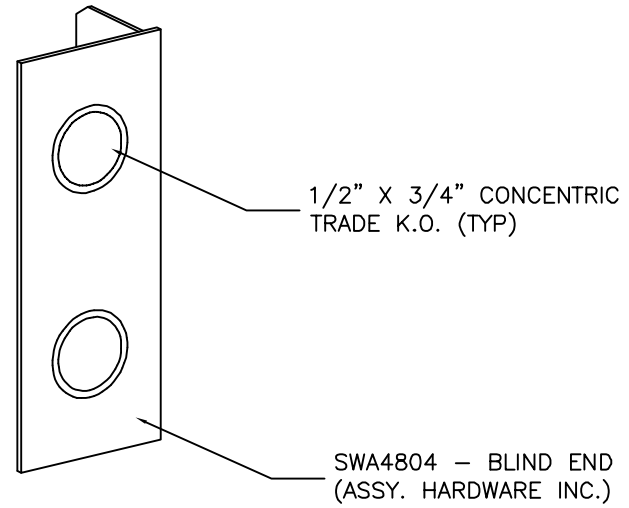


SWA4803 – COVER
 (ORDERED SEPARATELY)

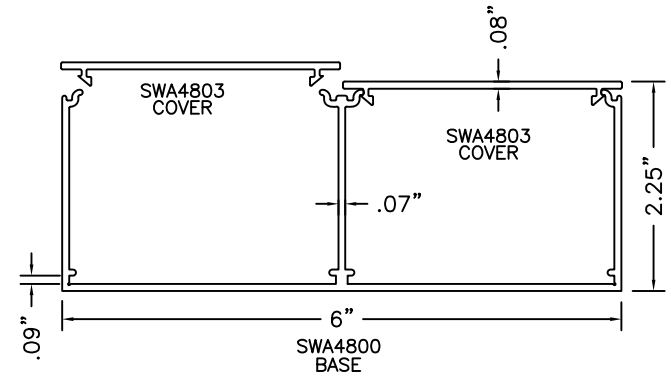
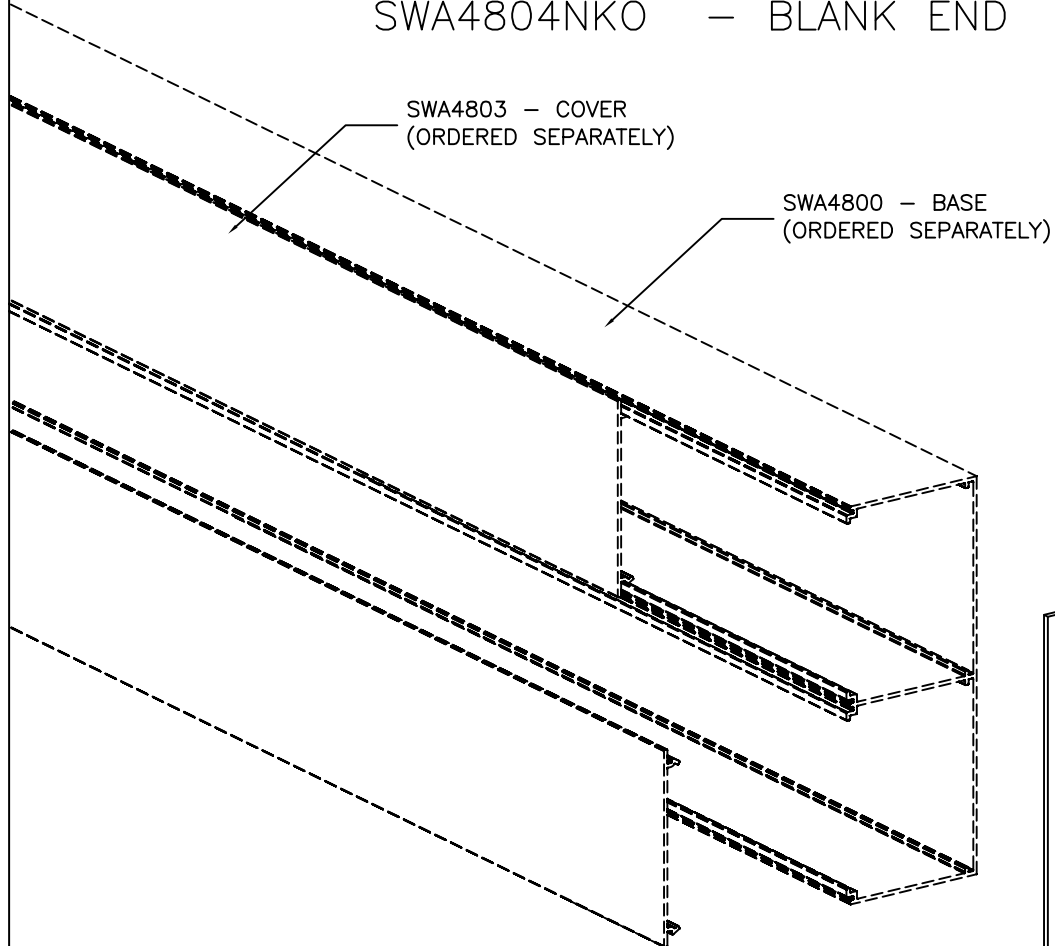
SWA4800 – BASE
 (ORDERED SEPARATELY)



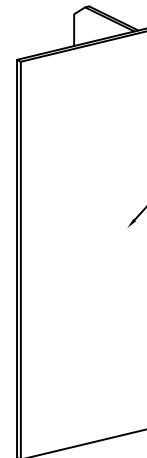
SWA4800 SERIES
 ALUMINUM RACEWAY
 SECTION VIEW
 SATIN ANNOXIDIZED FINISH
 (EACH ORDERED SEPARATELY)



SWA4800 SERIES
SWA4804NKO — BLANK END



SWA4800 SERIES
ALUMINUM RACEWAY
SECTION VIEW
SATIN ANODIZED FINISH
(EACH ORDERED SEPARATELY)

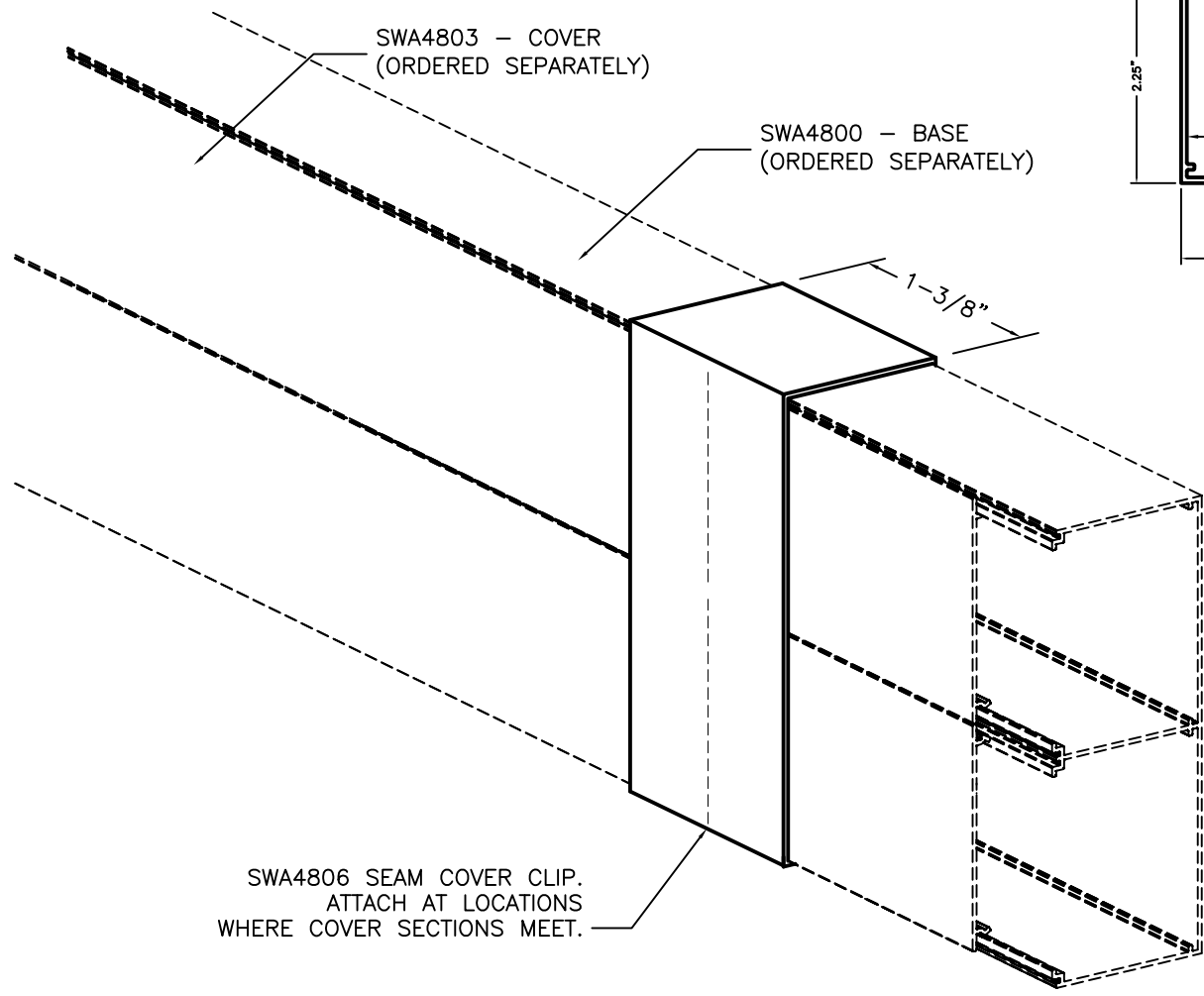


SWA4804NKO BLANK END
(NO KNOCKOUTS)
ATTACHMENT HARDWARE
PROVIDED



MONO-SYSTEMS, INC.
UNIQUE CABLE DISTRIBUTION SOLUTIONS
4 INTERNATIONAL DRIVE
RYE BROOK, NEW YORK 10573
PHONE: (914)-934-2075
FAX: (914)-934-2190

SWA4800 SERIES
 SWA4806 – SEAM COVER CLIP

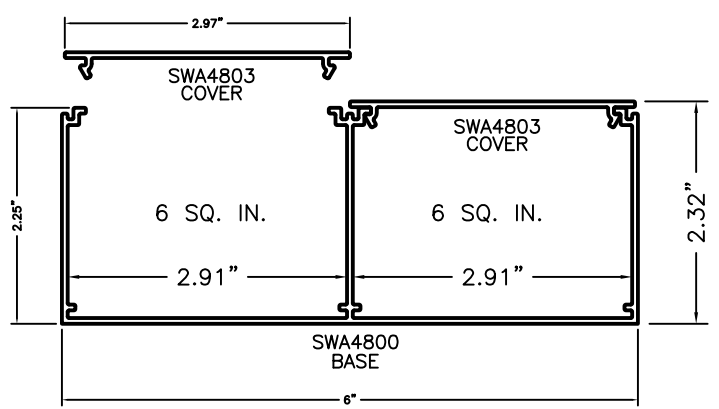


SWA4803 – COVER
 (ORDERED SEPARATELY)

SWA4800 – BASE
 (ORDERED SEPARATELY)

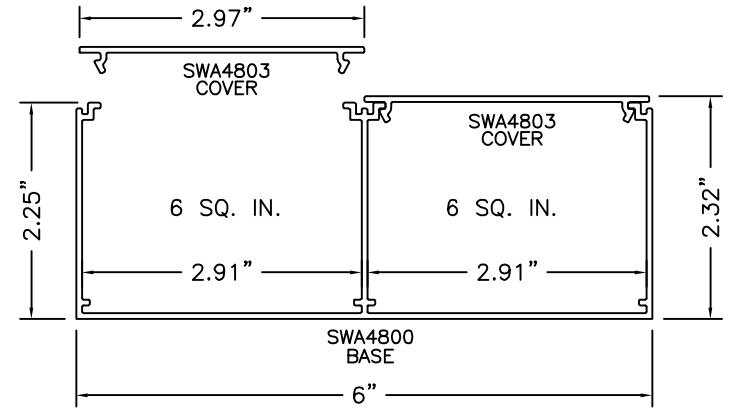
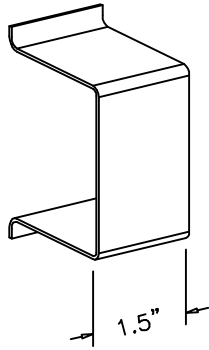
1-3/8"

SWA4806 SEAM COVER CLIP.
 ATTACH AT LOCATIONS
 WHERE COVER SECTIONS MEET.

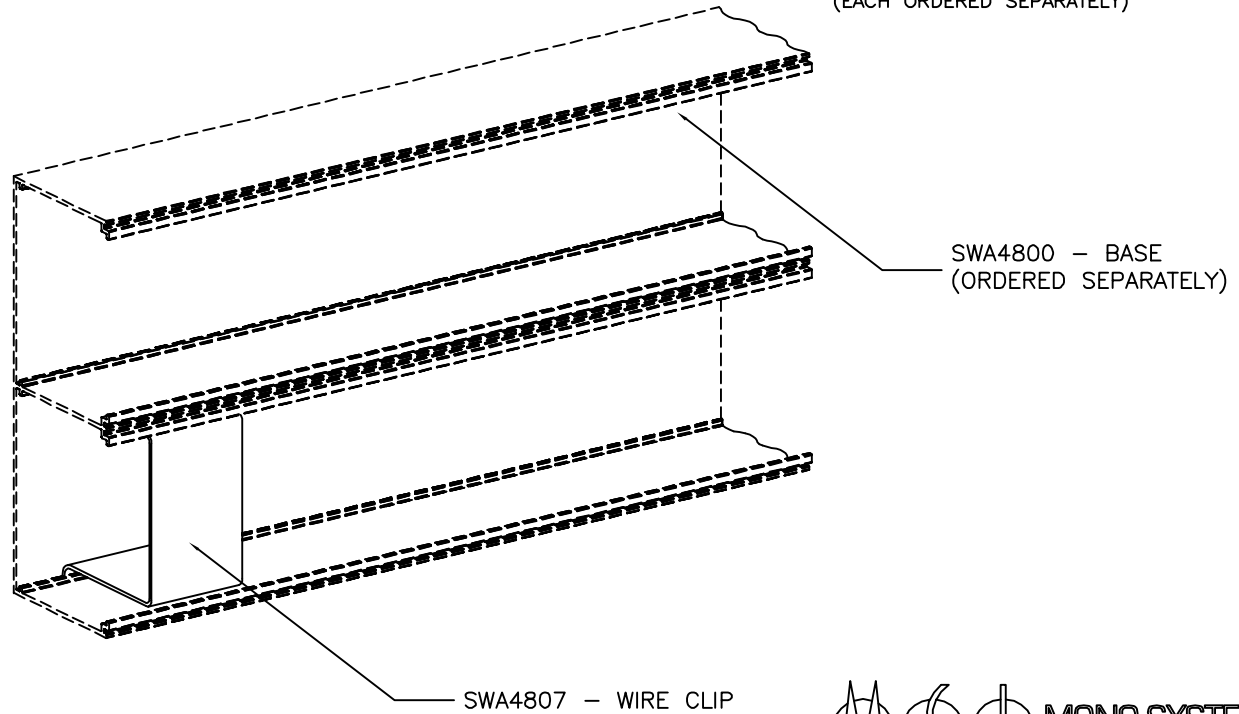


SWA4800 SERIES
 ALUMINUM RACEWAY
 SECTION VIEW
 SATIN ANODIZED FINISH
 (EACH ORDERED SEPARATELY)

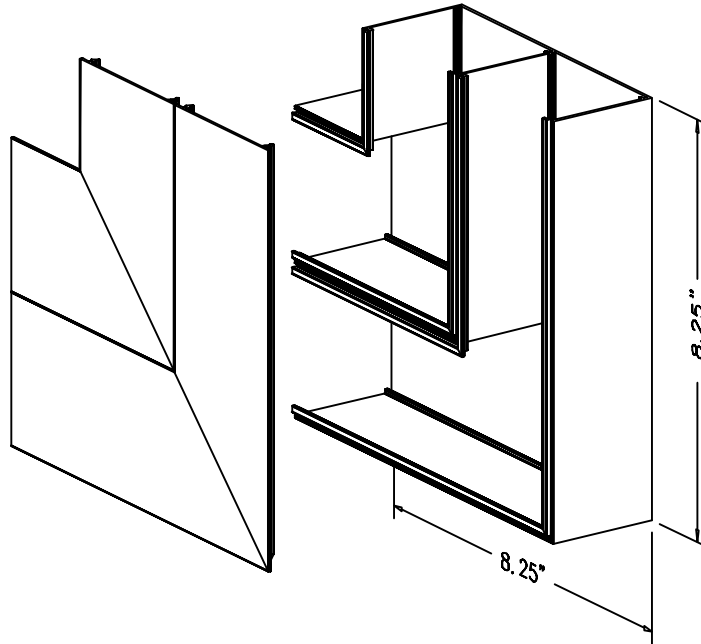
SWA4800 SERIES
SWA4807 - WIRE CLIP



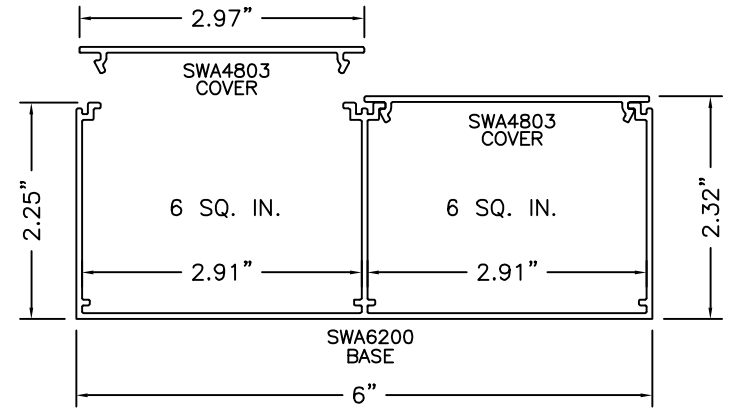
SWA4800 SERIES
ALUMINUM RACEWAY
SECTION VIEW
SATIN ANNOXIDIZED FINISH
(EACH ORDERED SEPARATELY)



SWA4800 SERIES
 SWA4809 – 90° FLAT ELBOW



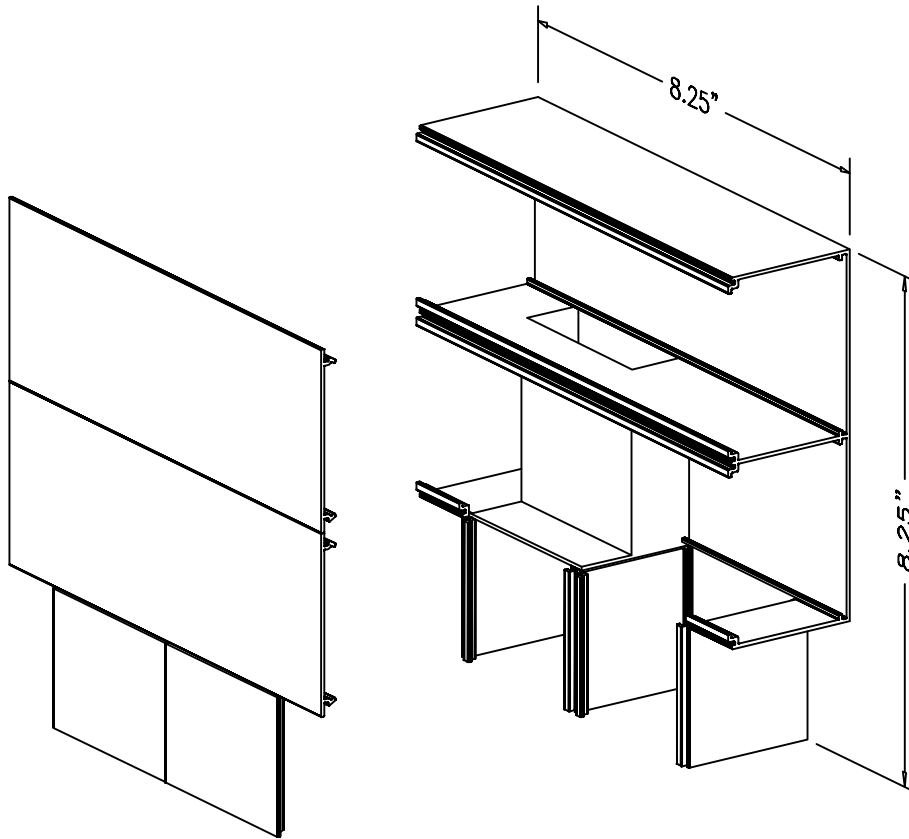
SWA4809 – FITTING AND COVER
 (COUPLINGS PROVIDED FOR RACEWAY ATTACHMENT)



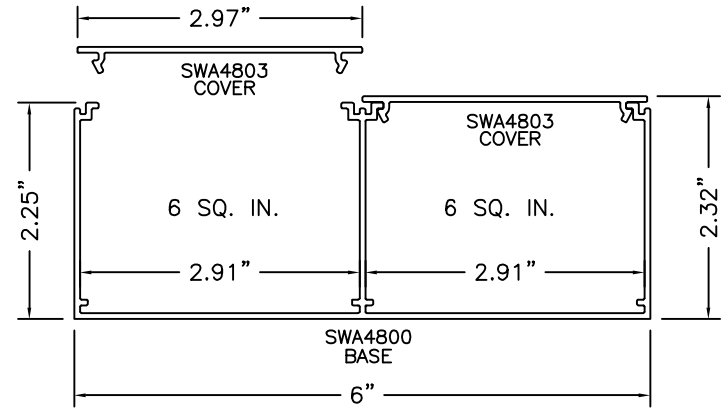
SWA4800 SERIES
 ALUMINUM RACEWAY
 SECTION VIEW
 SATIN ANNOXIDIZED FINISH
 (EACH ORDERED SEPARATELY)



SWA4800 SERIES
 SWA4810 – DIVIDED TEE



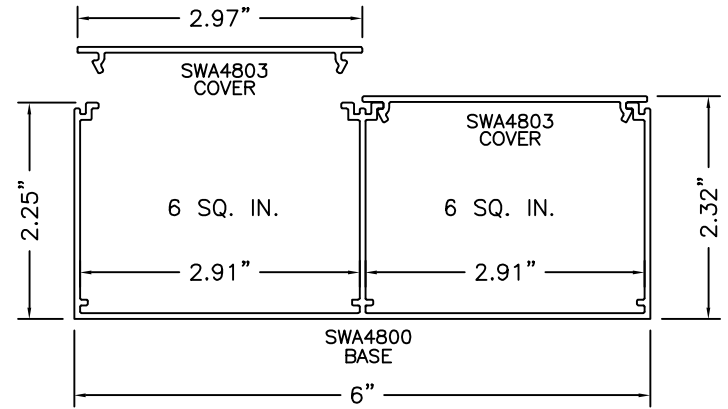
SWA4810 – FITTING AND COVER
 (COUPLINGS PROVIDED FOR RACEWAY ATTACHMENT)



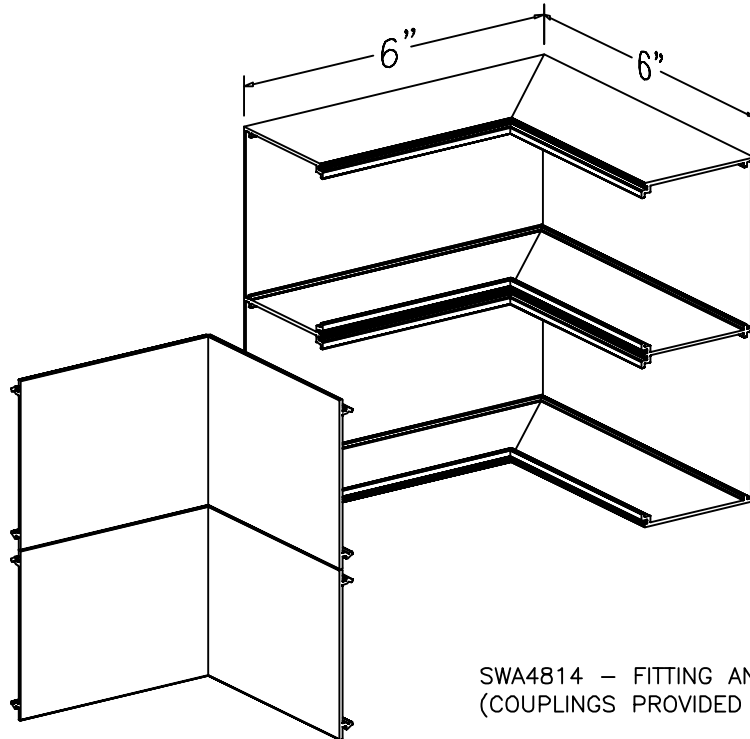
SWA4800 SERIES
 ALUMINUM RACEWAY
 SECTION VIEW
 SATIN ANNOXIDIZED FINISH
 (EACH ORDERED SEPARATELY)



SWA4800 SERIES
 SWA4814 – 90° INTERNAL ELBOW



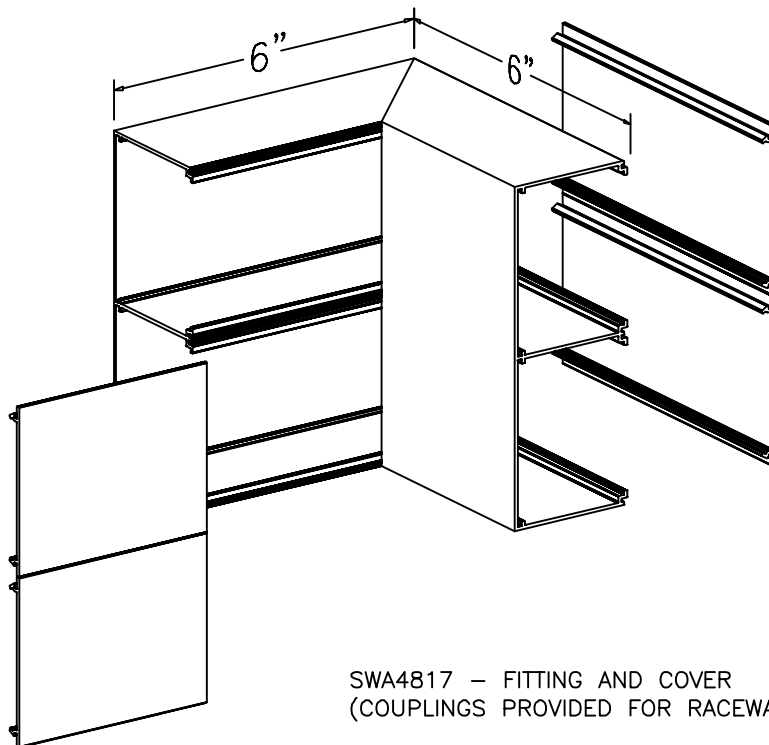
SWA4800 SERIES
 ALUMINUM RACEWAY
 SECTION VIEW
 SATIN ANNOXIDIZED FINISH
 (EACH ORDERED SEPARATELY)



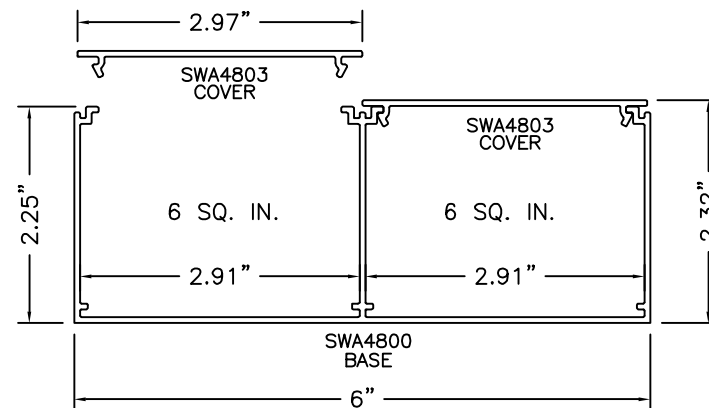
SWA4814 – FITTING AND COVER
 (COUPLINGS PROVIDED FOR RACEWAY ATTACHMENT)



SWA4800 SERIES
 SWA4817 – 90° INVERTED INTERNAL ELBOW

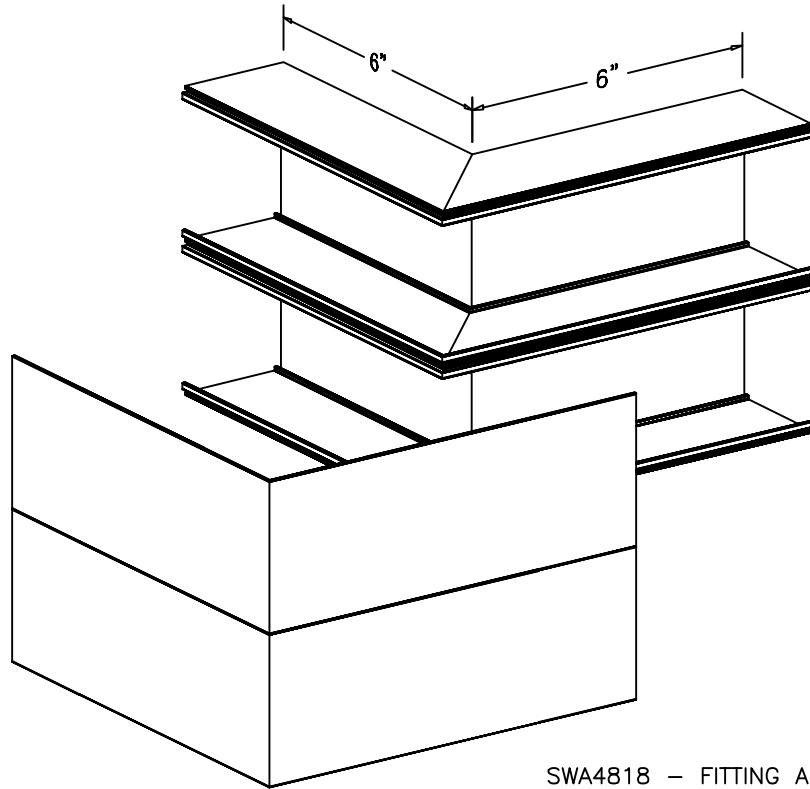


SWA4817 – FITTING AND COVER
 (COUPLINGS PROVIDED FOR RACEWAY ATTACHMENT)

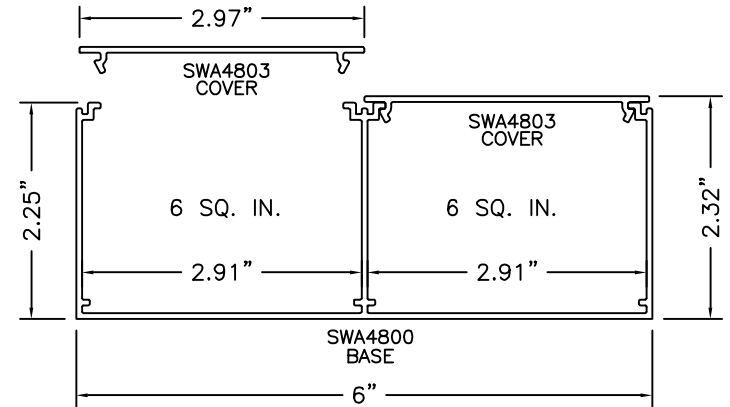


SWA4800 SERIES
 ALUMINUM RACEWAY
 SECTION VIEW
 SATIN ANNOXIDIZED FINISH
 (EACH ORDERED SEPARATELY)

SWA4800 SERIES
 SWA4818 – 90° EXTERNAL ELBOW



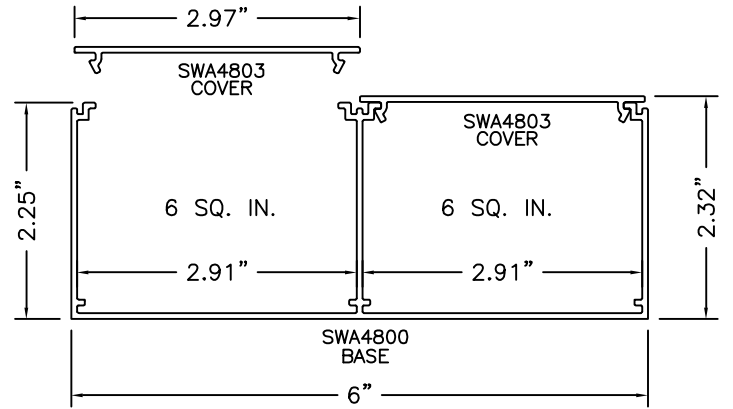
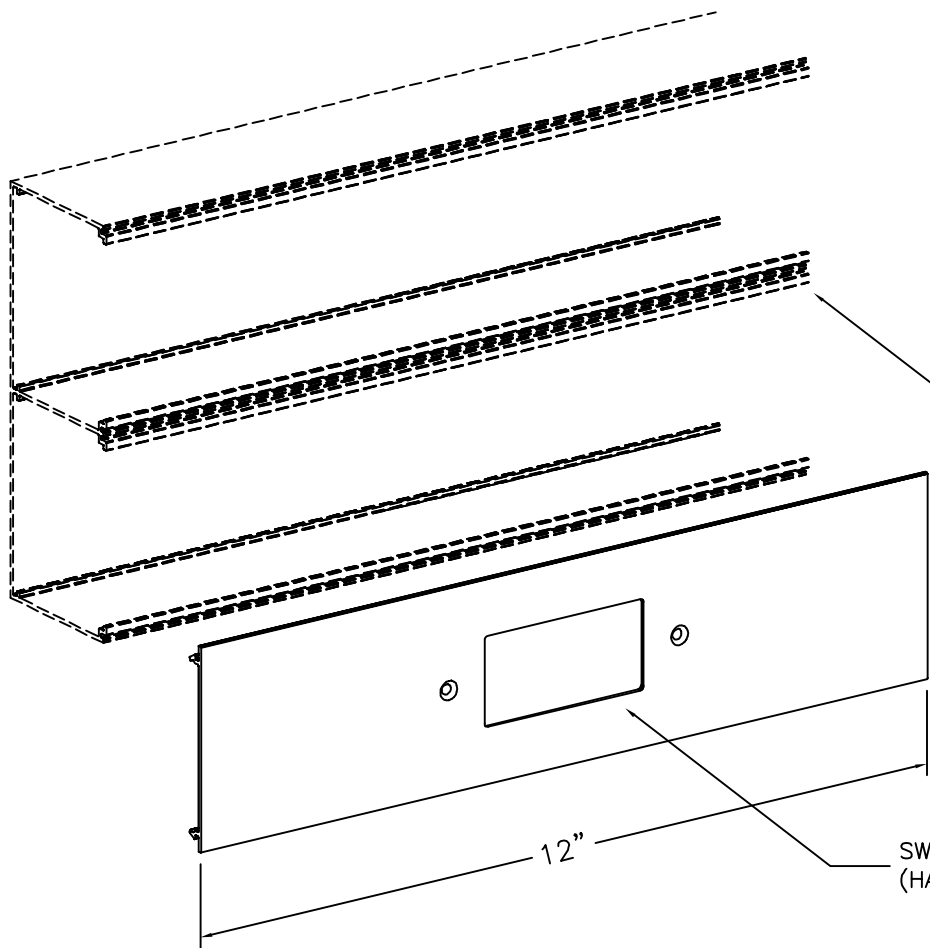
SWA4818 – FITTING AND COVER
 (COUPLINGS PROVIDED FOR RACEWAY ATTACHMENT)



SWA4800 SERIES
 ALUMINUM RACEWAY
 SECTION VIEW
 SATIN ANNOXIDIZED FINISH
 (EACH ORDERED SEPARATELY)



SWA4800 SERIES
 SWA4823 – RECTANGULAR DEVICE PLATE



SWA4800 SERIES
 ALUMINUM RACEWAY
 SECTION VIEW
 SATIN ANNOXIDIZED FINISH
 (EACH ORDERED SEPARATELY)

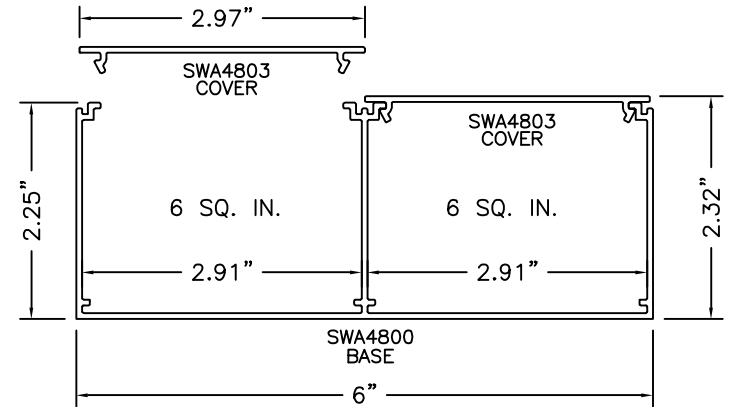
SWA4800 – BASE
 (ORDERED SEPARATELY)

SWA4823 – RECTANGULAR (DECOR) DEVICE PLATE
 (HARDWARE PROVIDED)



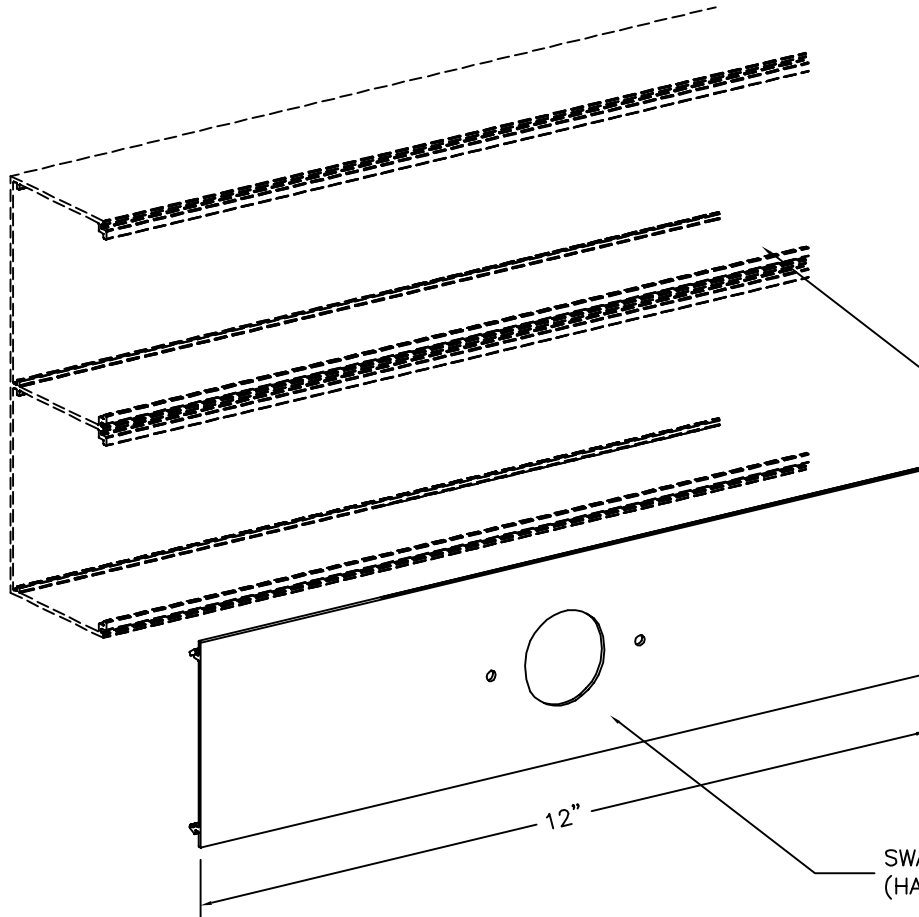
MONO-SYSTEMS, INC.
 UNIQUE CABLE DISTRIBUTION SOLUTIONS
 4 INTERNATIONAL DRIVE
 RYE BROOK, NEW YORK 10573
 PHONE: (914)-934-2075
 FAX: (914)-934-2190

SWA4800 SERIES
 SWA4825 – ROUND DEVICE PLATE 1.4” DIA.



SWA4800 SERIES
 ALUMINUM RACEWAY
 SECTION VIEW
 SATIN ANNOXIDIZED FINISH
 (EACH ORDERED SEPARATELY)

SWA4800 – BASE
 (ORDERED SEPARATELY)

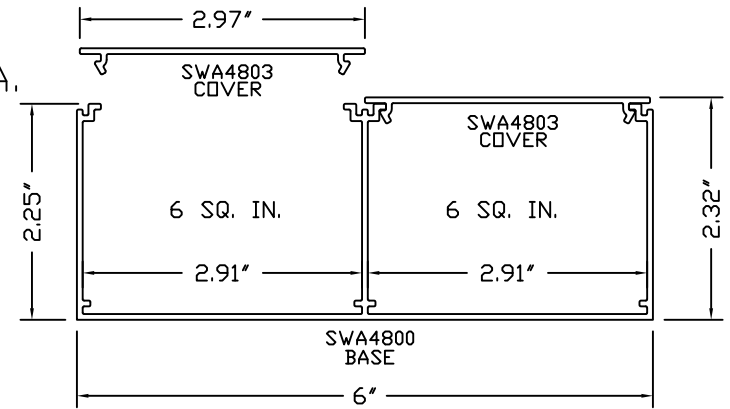


SWA4825 – ROUND DEVICE PLATE 1.4” DIA.
 (HARDWARE PROVIDED)

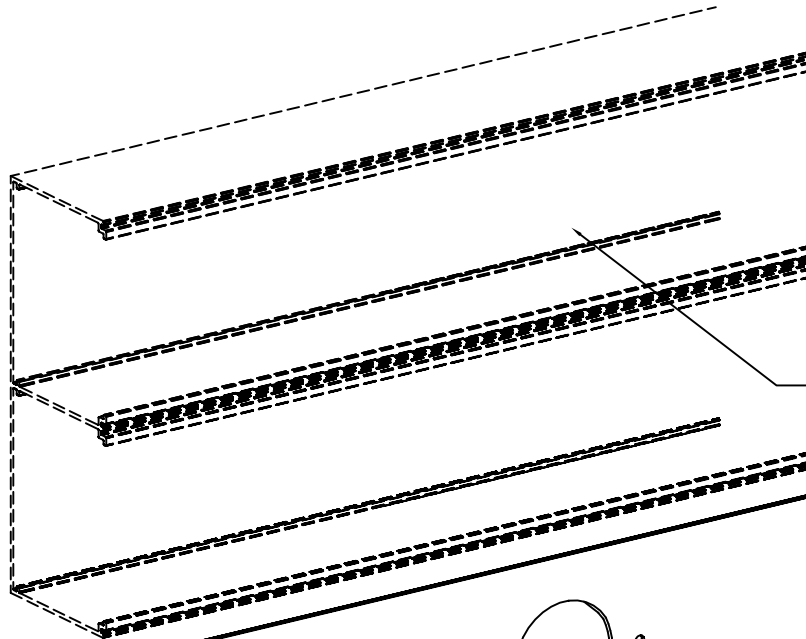


MONO-SYSTEMS, INC.
 UNIQUE CABLE DISTRIBUTION SOLUTIONS
 4 INTERNATIONAL DRIVE
 RYE BROOK, NEW YORK 10573
 PHONE: (914)-934-2075
 FAX: (914)-934-2190

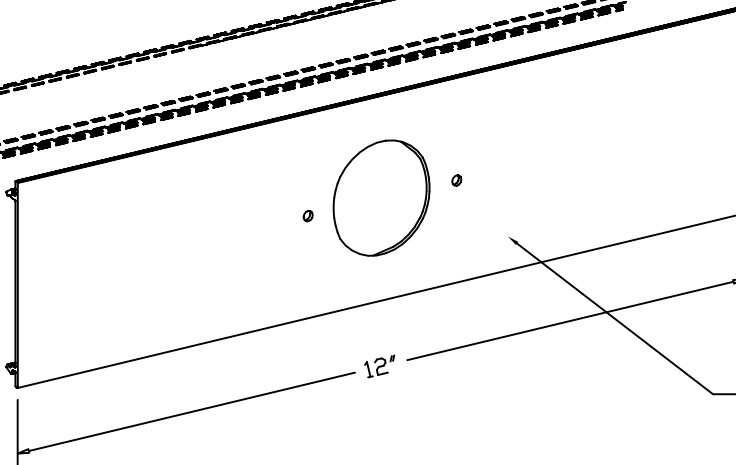
SWA4800 SERIES
 SWA4826 - ROUND DEVICE PLATE 1.59" DIA.



SWA4800 SERIES
 ALUMINUM RACEWAY
 SECTION VIEW
 SATIN ANNOIDIZED FINISH
 (EACH ORDERED SEPARATELY)



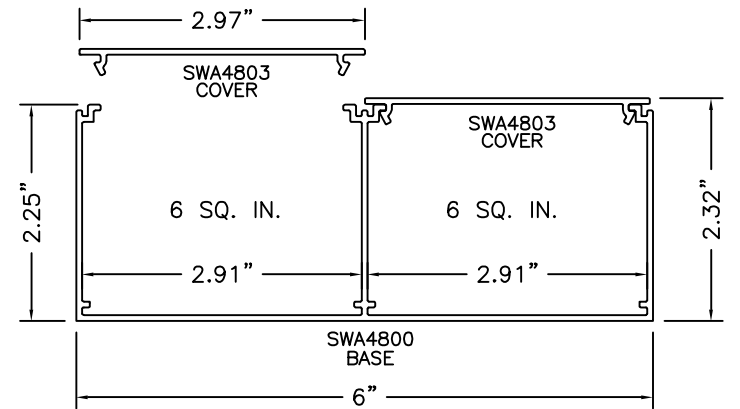
SWA4800 - BASE
 (ORDERED SEPARATELY)



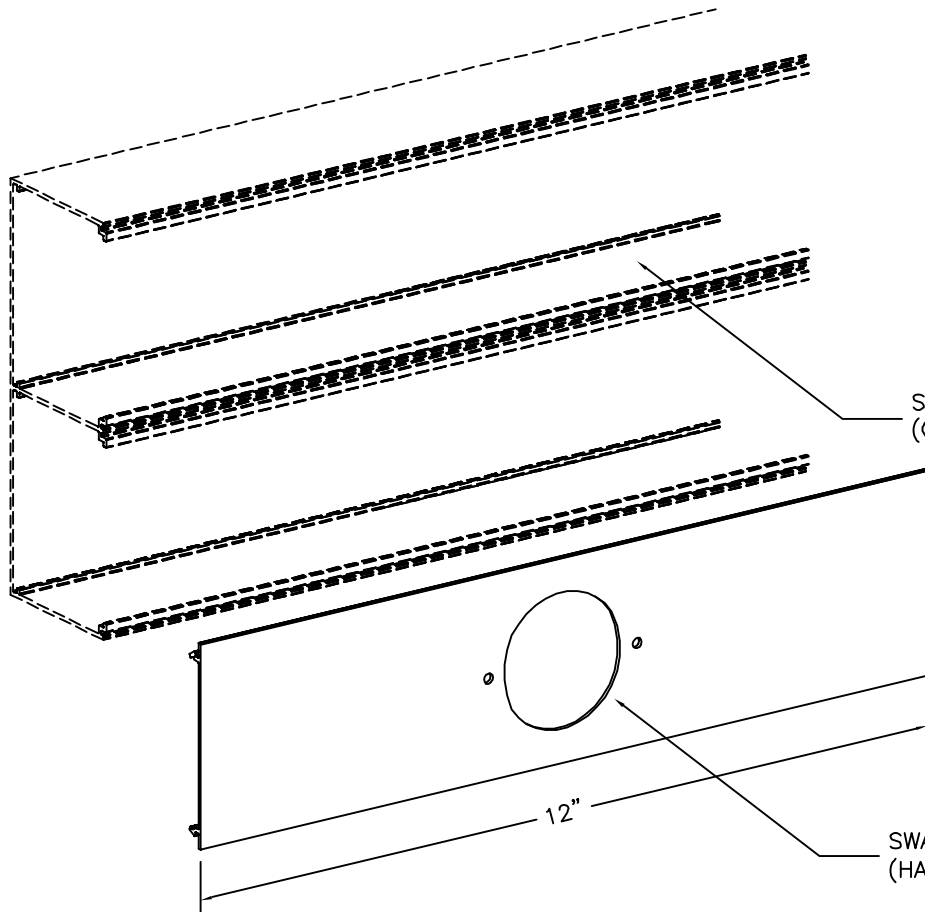
SWA4826 - ROUND DEVICE PLATE 1.59" DIA.
 (HARDWARE PROVIDED)



SWA4800 SERIES
 SWA4845 – ROUND DEVICE PLATE 2.16" DIA.



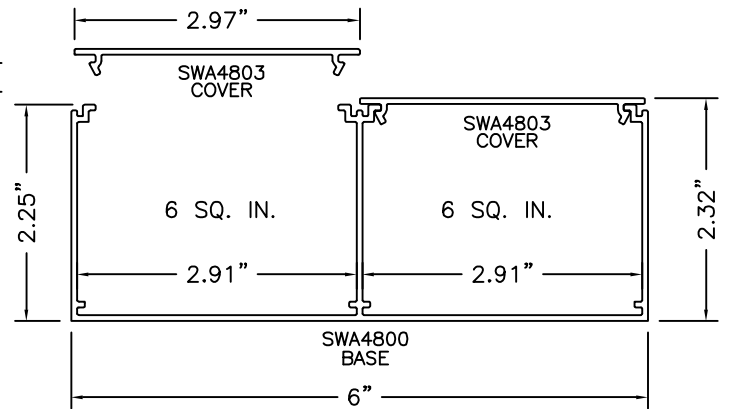
SWA4800 SERIES
 ALUMINUM RACEWAY
 SECTION VIEW
 SATIN ANNOXIDIZED FINISH
 (EACH ORDERED SEPARATELY)



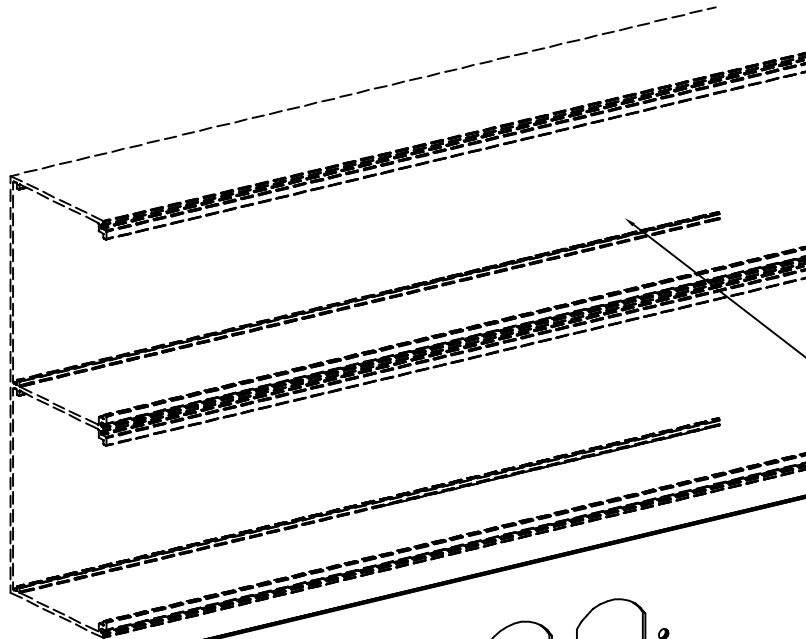
SWA4800 – BASE
 (ORDERED SEPARATELY)

SWA4845 – ROUND DEVICE PLATE 2.16" DIA.
 (HARDWARE PROVIDED)

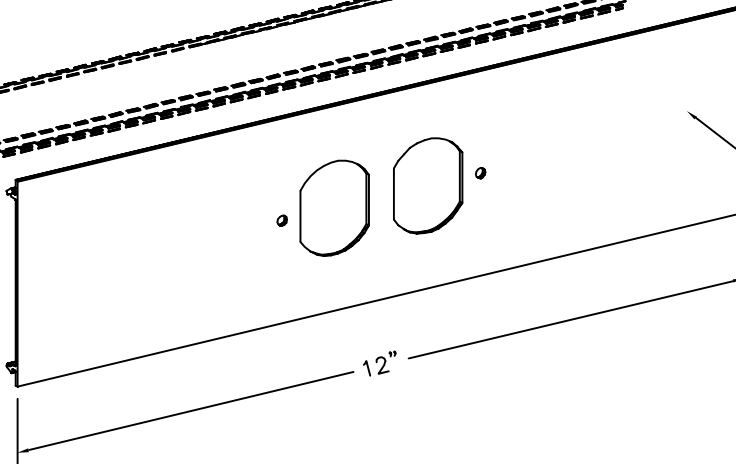
SWA4800 SERIES
SWA4846 – DUPLEX DEVICE PLATE



SWA4800 SERIES
ALUMINUM RACEWAY
SECTION VIEW
SATIN ANNOIDIZED FINISH
(EACH ORDERED SEPARATELY)



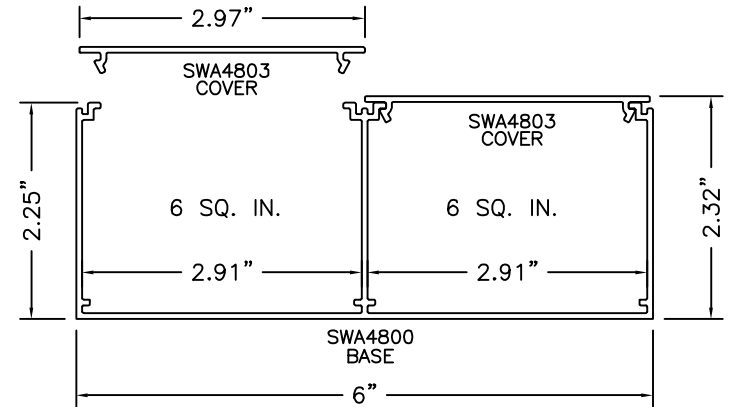
SWA4800 – BASE
(ORDERED SEPARATELY)



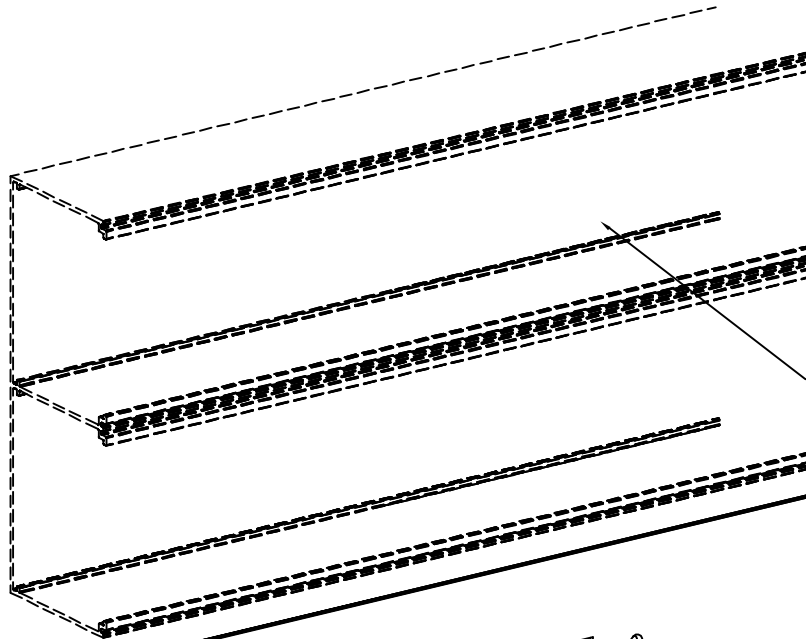
SWA4846 – DUPLEX DEVICE PLATE
(HARDWARE PROVIDED)



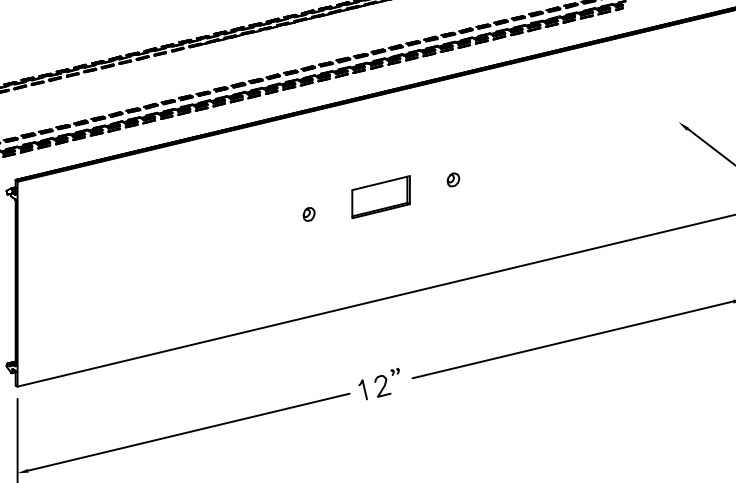
SWA4800 SERIES
 SWA4848 – SWITCH DEVICE PLATE



SWA4800 SERIES
 ALUMINUM RACEWAY
 SECTION VIEW
 SATIN ANNOIDIZED FINISH
 (EACH ORDERED SEPARATELY)



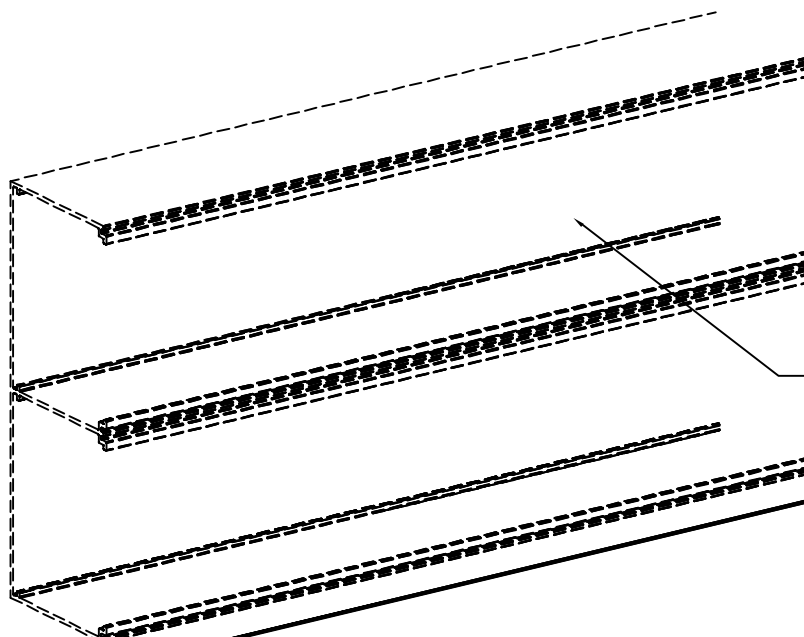
SWA4800 – BASE
 (ORDERED SEPARATELY)



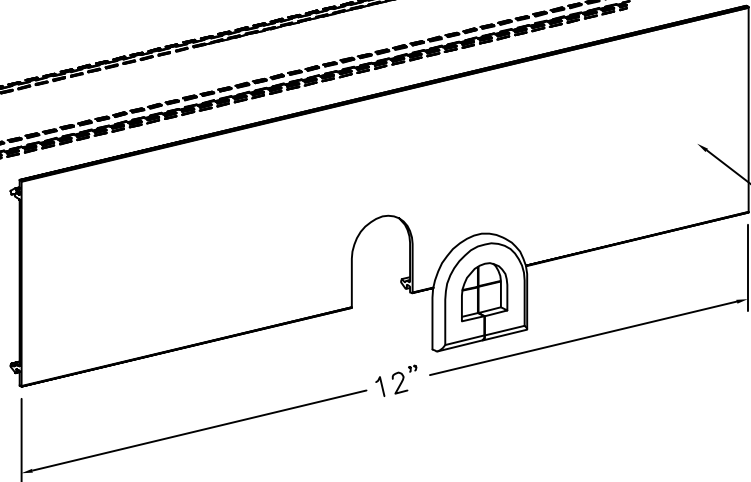
SWA4848 – SWITCH DEVICE PLATE
 (HARDWARE PROVIDED)



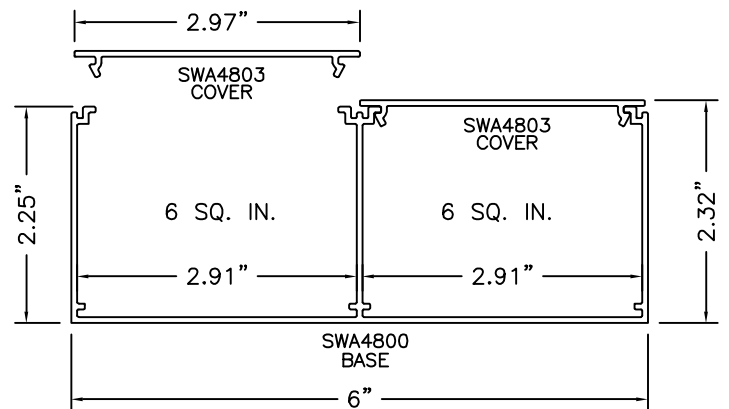
SWA4800 SERIES
 SWA4853 – MOUSE HOLE PLATE



SWA4800 – BASE
 (ORDERED SEPARATELY)

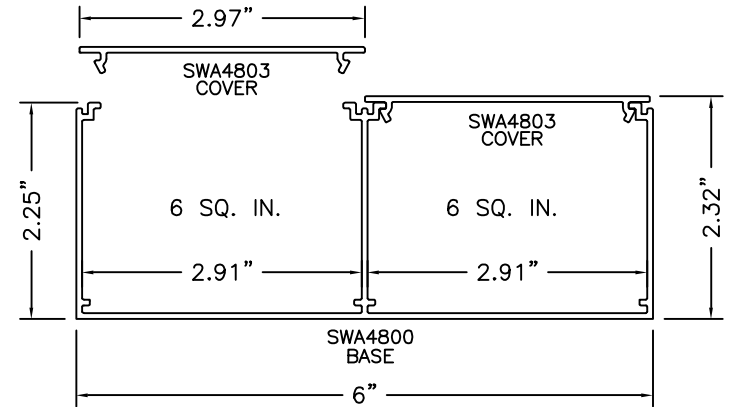


SWA4853 – MOUSE HOLE PLATE
 (GROMMET PROVIDED)

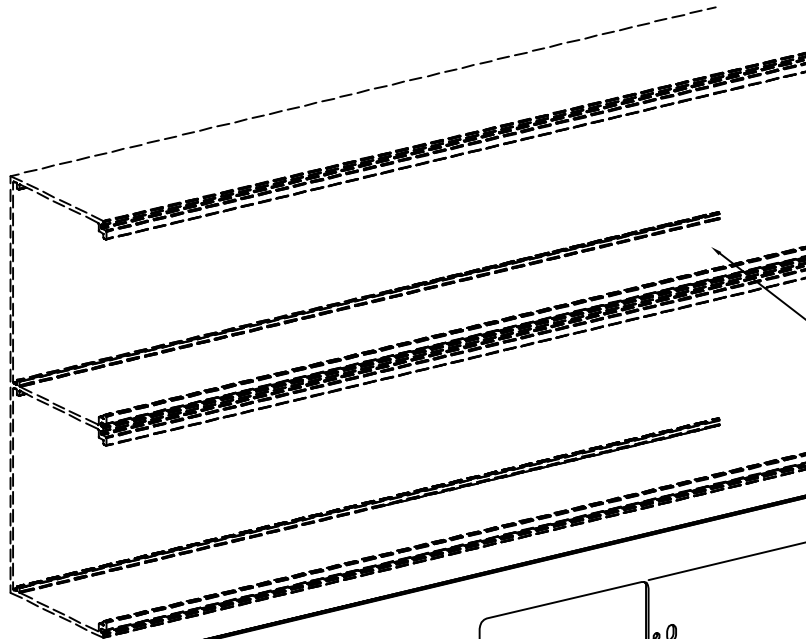


SWA4800 SERIES
 ALUMINUM RACEWAY
 SECTION VIEW
 SATIN ANNOXIDIZED FINISH
 (EACH ORDERED SEPARATELY)

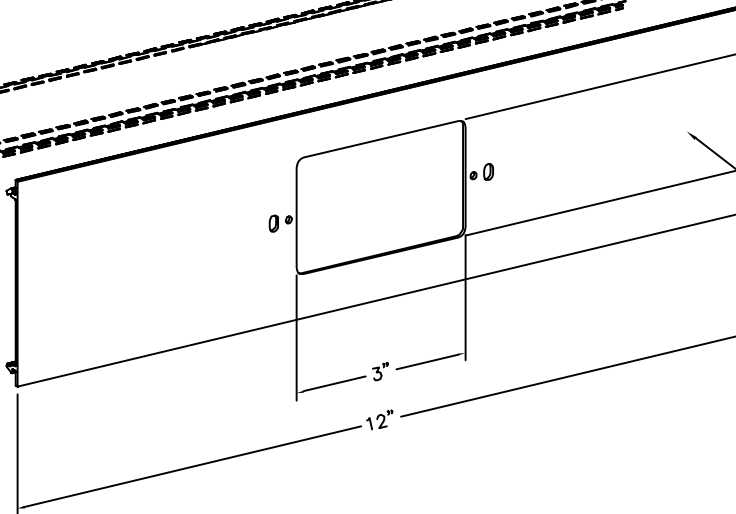
SWA4800 SERIES
 SWA4857 – UNIVERSAL DEVICE PLATE



SWA4800 SERIES
 ALUMINUM RACEWAY
 SECTION VIEW
 SATIN ANNOXIDIZED FINISH
 (EACH ORDERED SEPARATELY)



SWA4800 – BASE
 (ORDERED SEPARATELY)



SWA4857 – UNIVERSAL DEVICE PLATE

