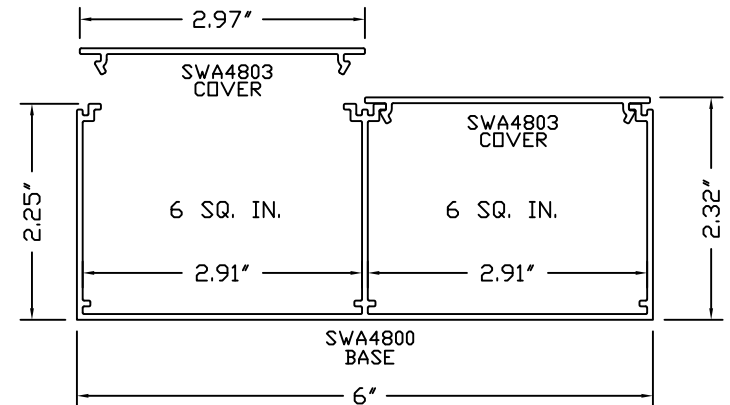
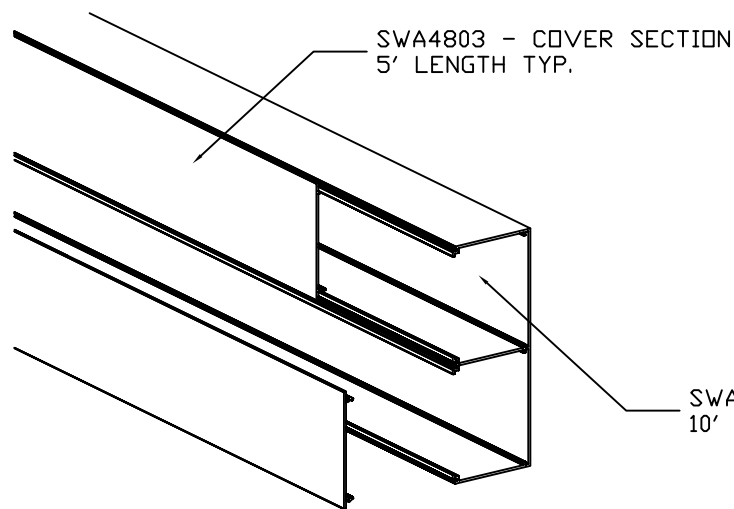


SnapWay™ SWA4800 Series

SWA4800 SERIES ALUMINUM SURFACE RACEWAY



SWA4800 - BASE SECTION
10' LENGTH TYP.

SWA4800 SERIES
ALUMINUM RACEWAY
SECTION VIEW
SATIN ANNOXIDIZED FINISH
(EACH ORDERED SEPARATELY)

CABLE TYPE	CATEGORY/DESIGNATION	20% FILL	40% FILL
Unshielded Twisted Pair	4-pair, 24 AWG Cat. 5 UTP	31	62
	4-pair, 24 AWG Cat. 3 UTP	41	83
Telephone	2-pair, 24 AWG	77	154
	3-pair, 24 AWG	67	134
	4-pair, 24 AWG	41	83
	25-pair, 24 AWG	8	17
Coaxial Cables	RG58/U	39	79
	RG59/U	25	51
	RG62/U	25	51
	RG6/U	20	41
Twinaxial	100 Ohm	13	27
Shielded Twisted Pair	TYPE 1	9	19
	TYPE 2	6	13
	TYPE 3	25	50
Fiber Optic	Two Strand (Duplex) Multimode 62.5/125 μm	41	83

	WIRE SIZE THHN/THWN	40% FILL
Power Wiring Without Devices	6 AWG	41
	8 AWG	56
	10 AWG	98
	12 AWG	156
Power Wiring With Devices (2.04 Sq. In. [51.82mm])	14 AWG	214
	6 AWG	30
	8 AWG	42
	10 AWG	73
	12 AWG	116
	14 AWG	159

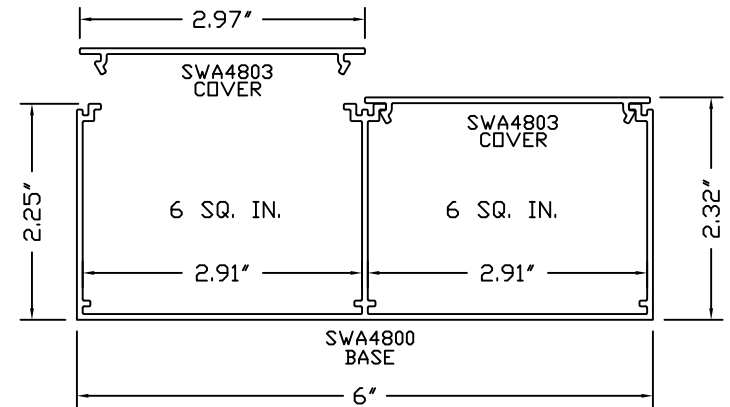
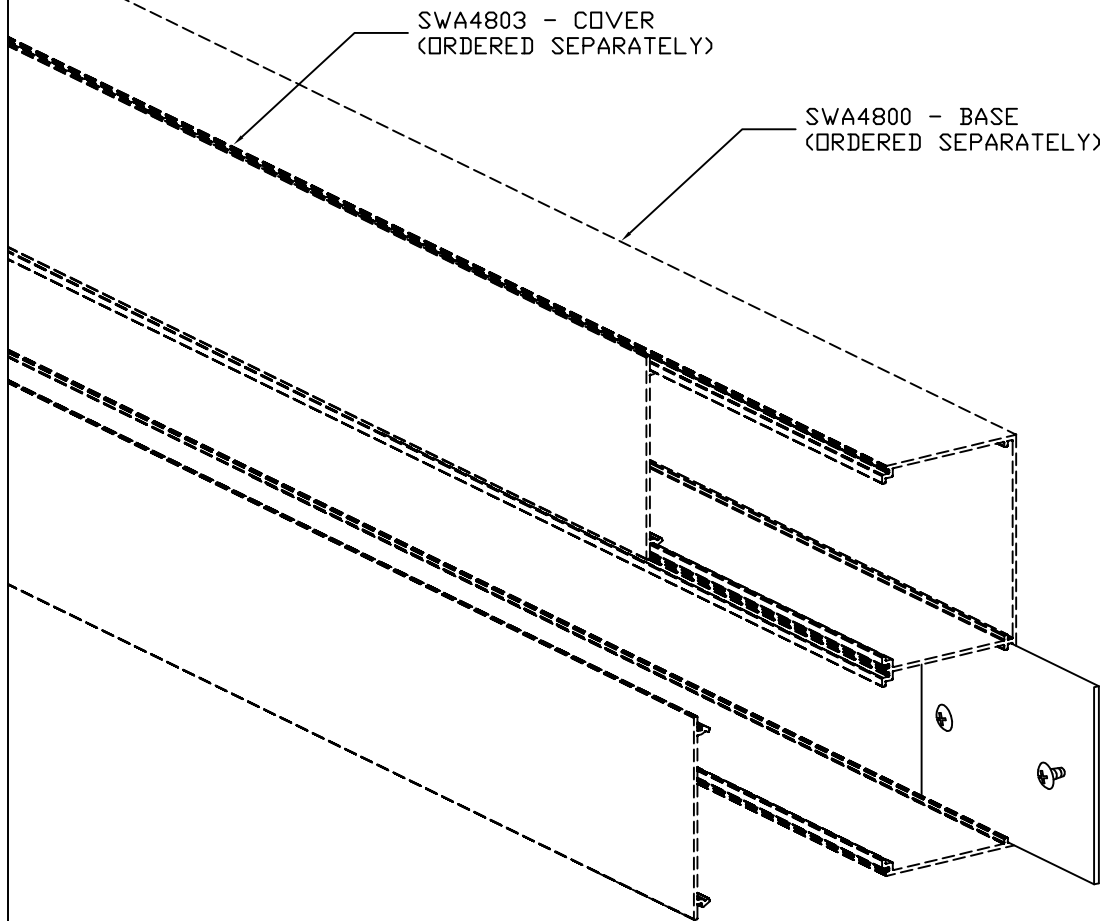
RIGIDLY SECURE BASE SECTION TO STRUCTURAL BUILDING MEMBER OR WALL CONSTRUCTION AT 18" MAXIMUM MOUNTING CENTERS. ENGINEER TO VERIFY FASTENERS & MOUNTING INTERVAL BASED ON MOUNTING SURFACE CONSTRUCTION. (HARDWARE BY OTHERS)



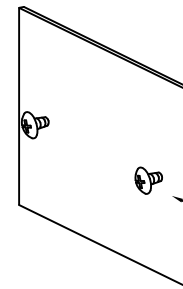
MONO-SYSTEMS, INC.
UNIQUE CABLE DISTRIBUTION SOLUTIONS
4 INTERNATIONAL DRIVE
RYE BROOK, NEW YORK 10573
PHONE: (914)-934-2075
FAX: (914)-934-2190

SnapWay™
SWA4800 Series

SWA4800 SERIES
SWA4802 - COUPLING



SWA4800 SERIES
ALUMINUM RACEWAY
SECTION VIEW
SATIN ANNOXIDIZED FINISH
(EACH ORDERED SEPARATELY)

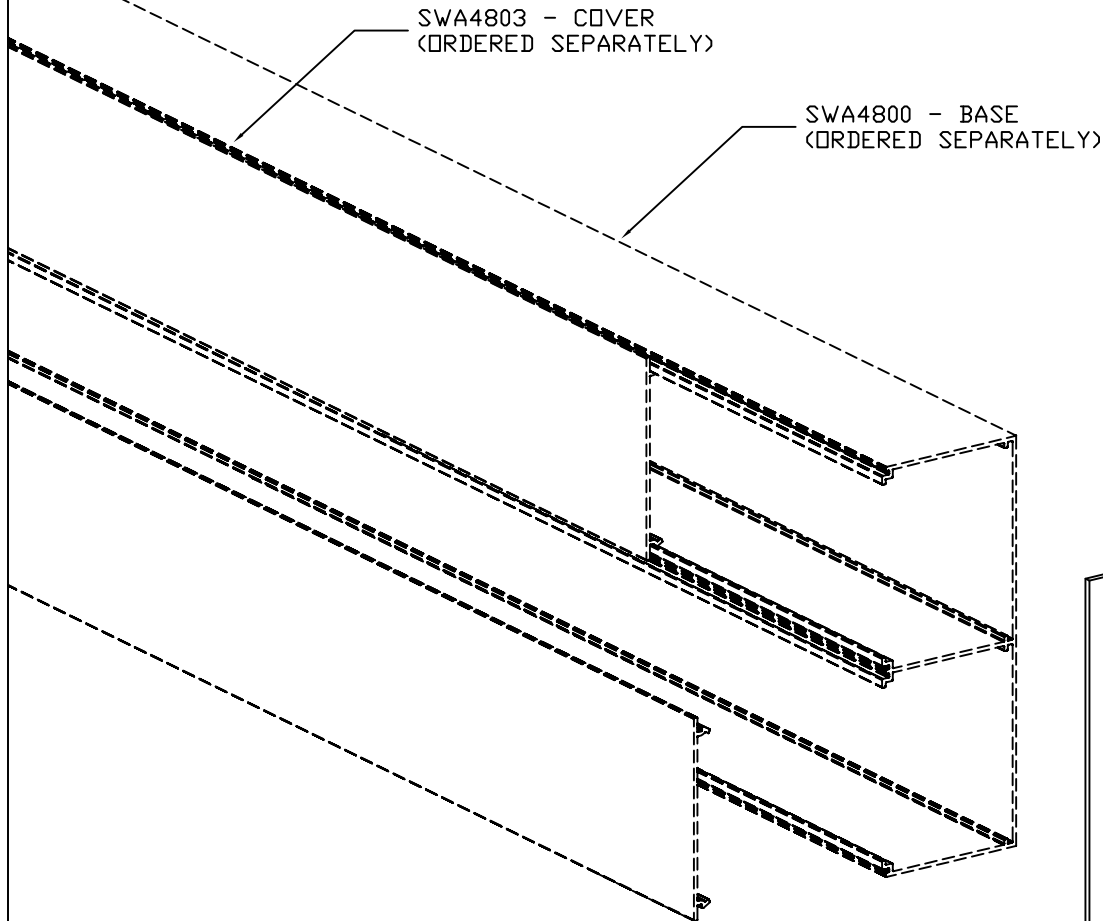


SWA4802 - COUPLING
SOLD IN PAIRS AS SHOWN
(ASSY. HARDWARE INC.)



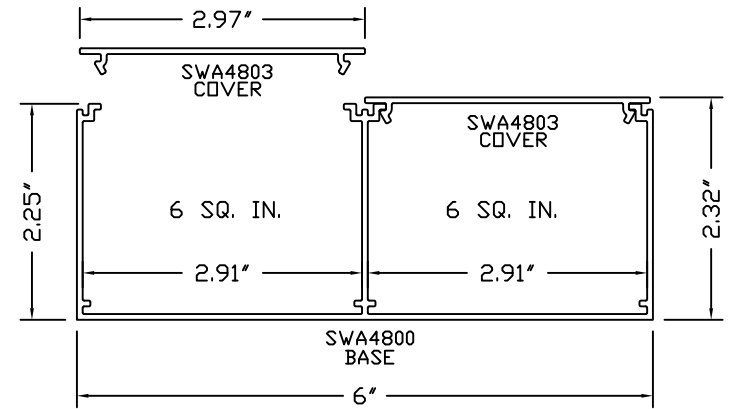
SnapWay™
SWA4800 Series

SWA4800 SERIES
SWA4804 - BLIND END

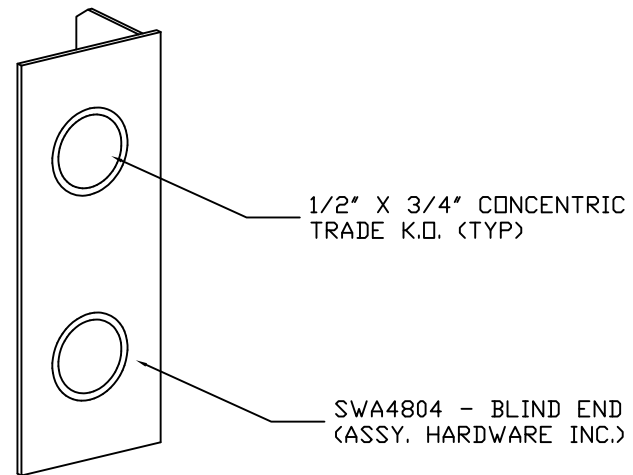


SWA4803 - COVER
(ORDERED SEPARATELY)

SWA4800 - BASE
(ORDERED SEPARATELY)



SWA4800 SERIES
ALUMINUM RACEWAY
SECTION VIEW
SATIN ANNOXIDIZED FINISH
(EACH ORDERED SEPARATELY)



1/2" X 3/4" CONCENTRIC
TRADE K.O. (TYP)

SWA4804 - BLIND END
(ASSY. HARDWARE INC.)

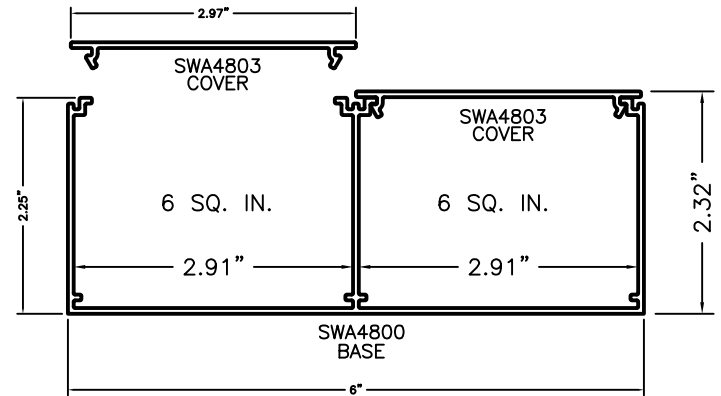
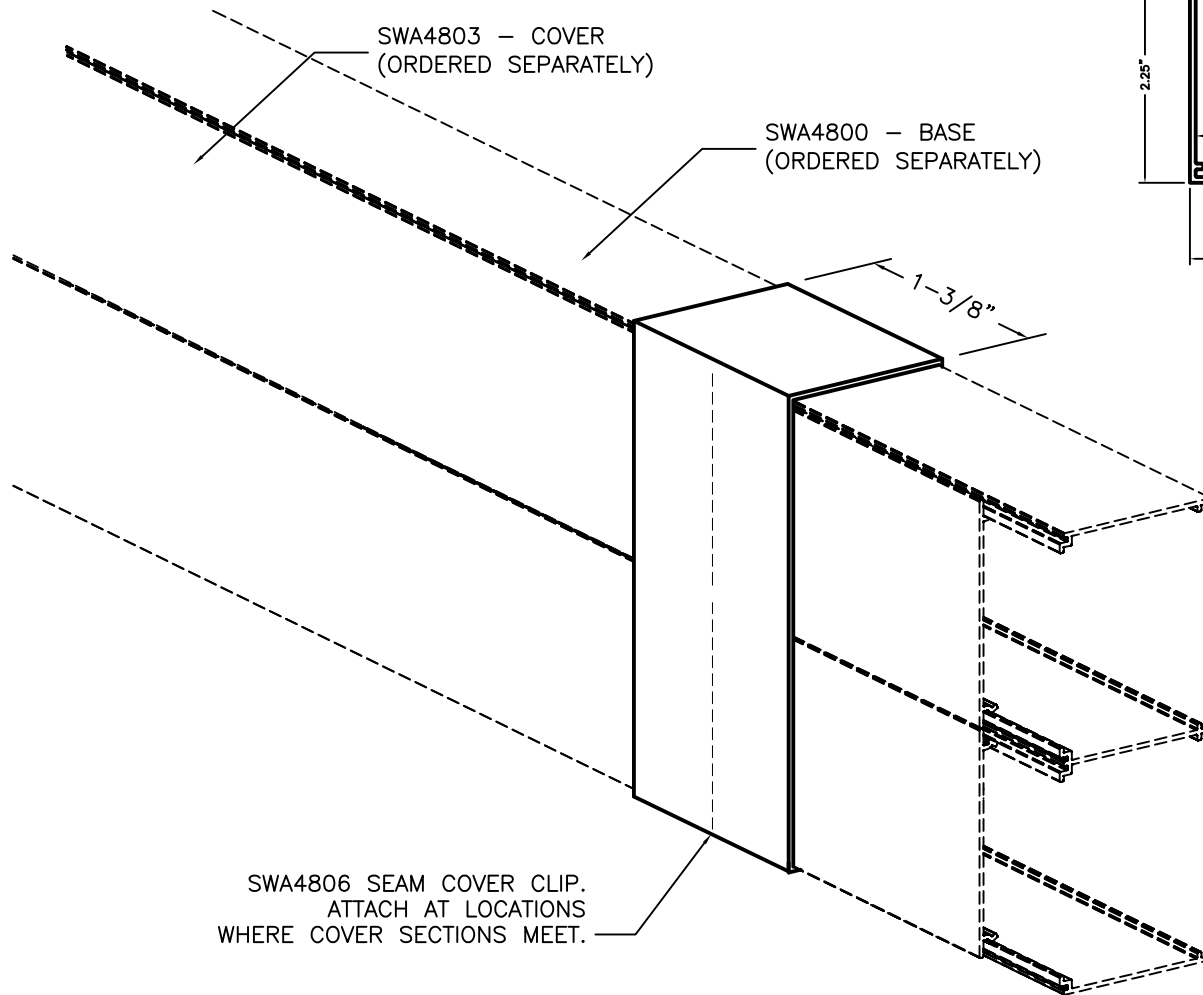


MONO-SYSTEMS, INC.

UNIQUE CABLE DISTRIBUTION SOLUTIONS
4 INTERNATIONAL DRIVE
RYE BROOK, NEW YORK 10573
PHONE: (914)-934-2075
FAX: (914)-934-2190

SnapWay™
SWA4800 Series

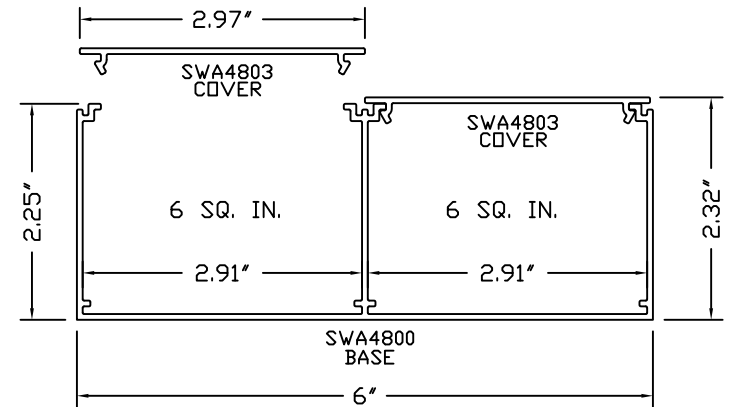
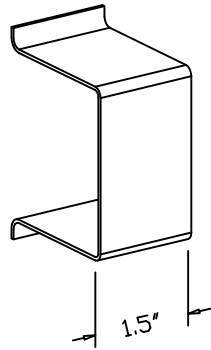
SWA4800 SERIES
SWA4806 – SEAM COVER CLIP



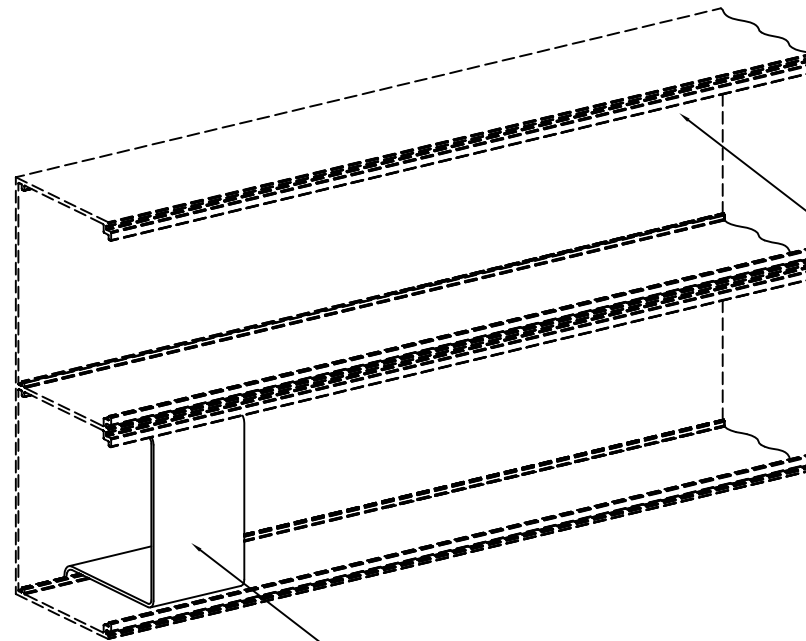
SWA4800 SERIES
ALUMINUM RACEWAY
SECTION VIEW
SATIN ANODIZED FINISH
(EACH ORDERED SEPARATELY)



SnapWay™ SWA4800 SERIES
 SWA4800 Series SWA4807 - WIRE CLIP



SWA4800 SERIES
 ALUMINUM RACEWAY
 SECTION VIEW
 SATIN ANNOXIDIZED FINISH
 (EACH ORDERED SEPARATELY)



SWA4800 - BASE
 (ORDERED SEPARATELY)

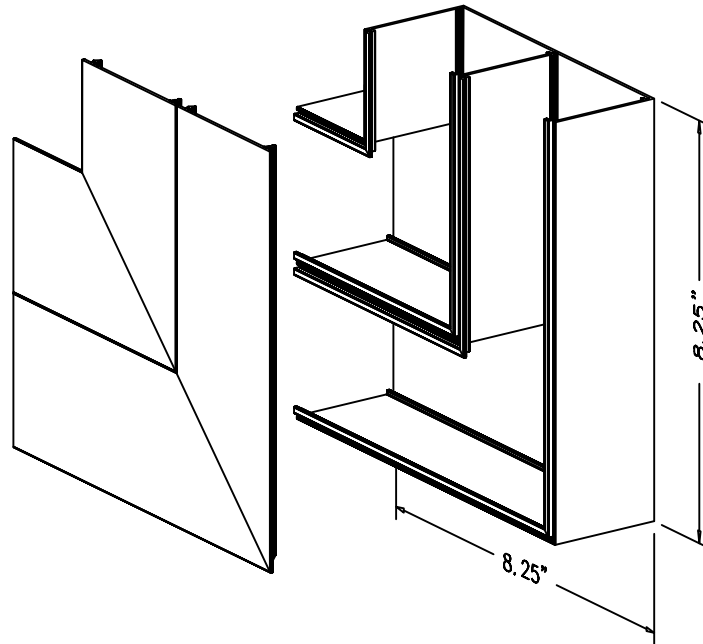
SWA4807 - WIRE CLIP



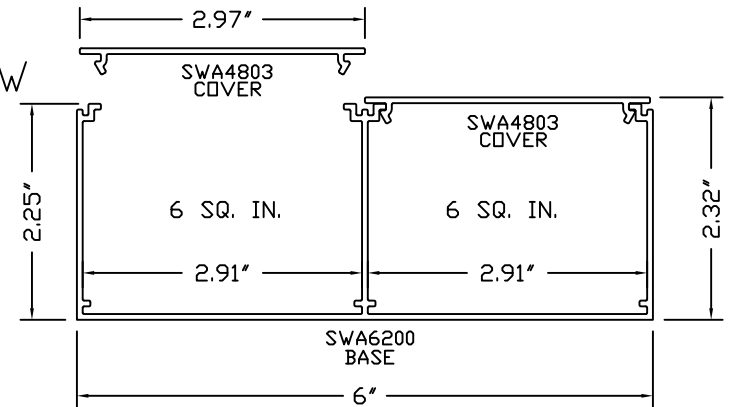
MONO-SYSTEMS, INC.
 UNIQUE CABLE DISTRIBUTION SOLUTIONS
 4 INTERNATIONAL DRIVE
 RYE BROOK, NEW YORK 10573
 PHONE: (914)-934-2075
 FAX: (914)-934-2190

SnapWay™
SWA4800 Series

SWA4800 SERIES
SWA4809 - 90° FLAT ELBOW



SWA4809 - FITTING AND COVER
(COUPLINGS PROVIDED FOR RACEWAY ATTACHMENT)

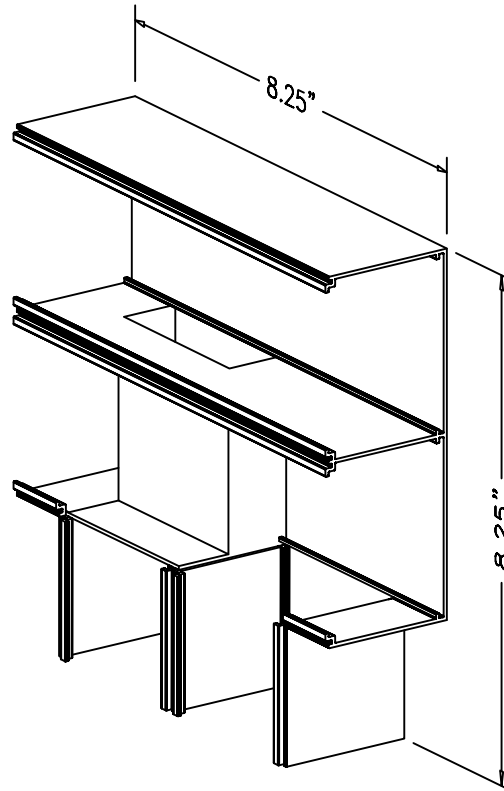
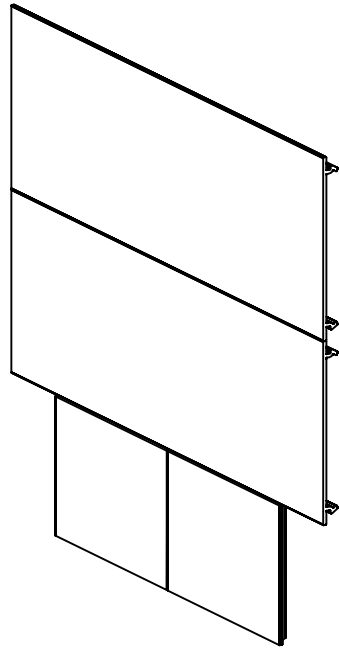


SWA4800 SERIES
ALUMINUM RACEWAY
SECTION VIEW
SATIN ANNOXIDIZED FINISH
(EACH ORDERED SEPARATELY)

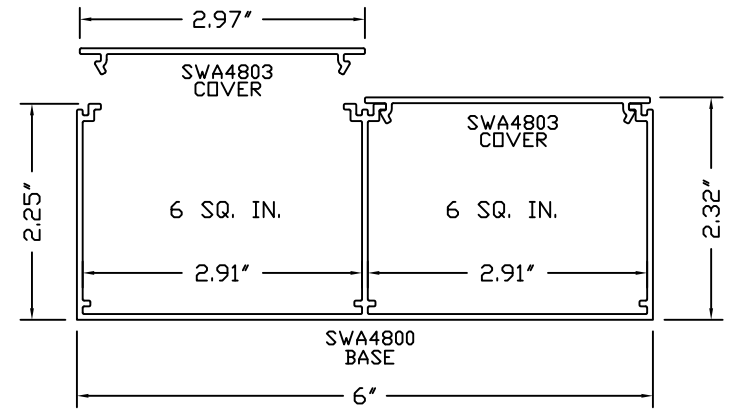


SnapWay™
SWA4800 Series

SWA4800 SERIES
SWA4810 - DIVIDED TEE



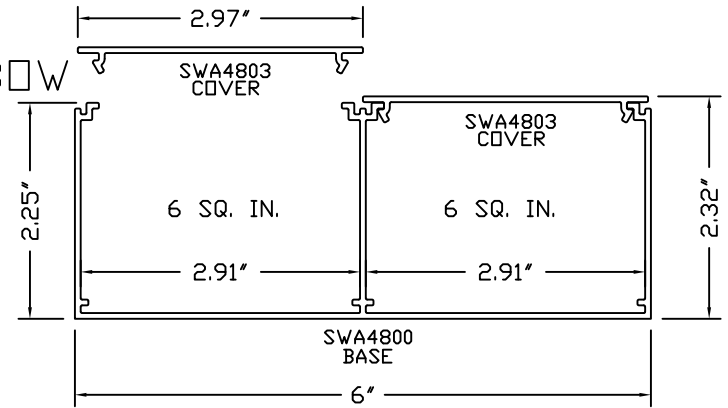
SWA4810 - FITTING AND COVER
(COUPLINGS PROVIDED FOR RACEWAY ATTACHMENT)



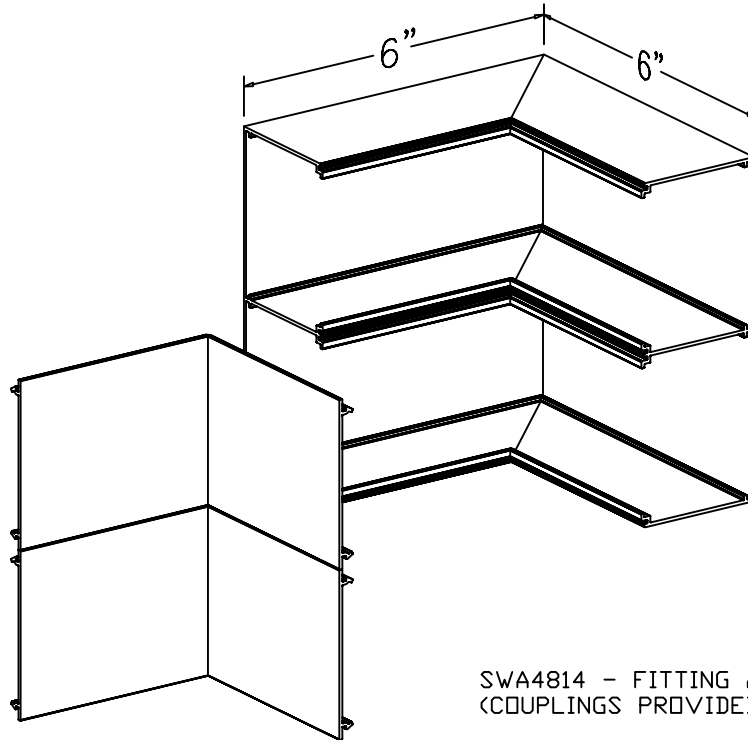
SWA4800 SERIES
ALUMINUM RACEWAY
SECTION VIEW
SATIN ANNOXIDIZED FINISH
(EACH ORDERED SEPARATELY)



SnapWay™ SWA4800 SERIES
 SWA4800 Series SWA4814 - 90° INTERNAL ELBOW



SWA4800 SERIES
 ALUMINUM RACEWAY
 SECTION VIEW
 SATIN ANNOXIDIZED FINISH
 (EACH ORDERED SEPARATELY)

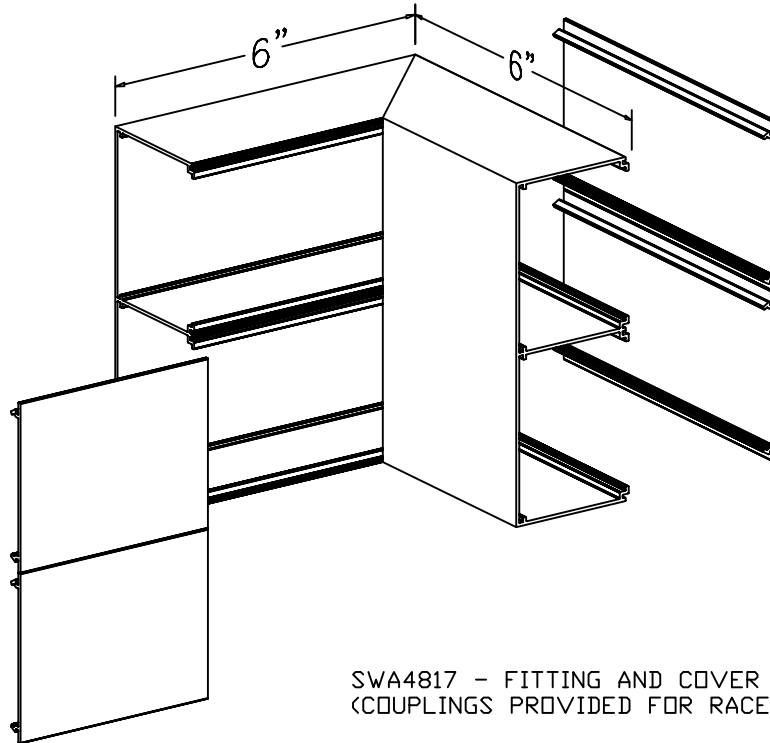


SWA4814 - FITTING AND COVER
 (COUPLINGS PROVIDED FOR RACEWAY ATTACHMENT)

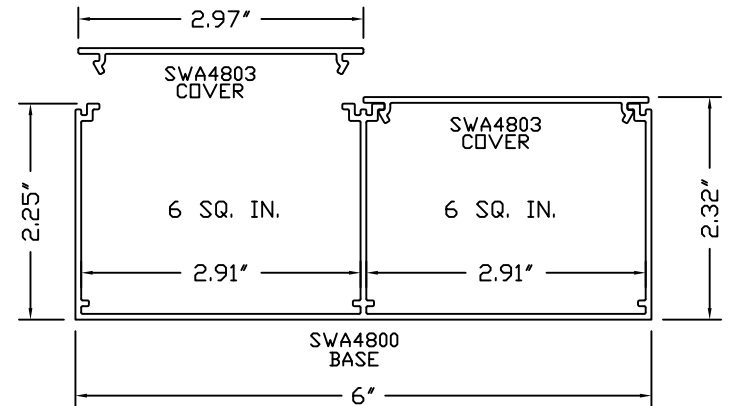


SnapWay™
SWA4800 Series

SWA4800 SERIES
SWA4817 - 90° INVERTED INTERNAL ELBOW



SWA4817 - FITTING AND COVER
(COUPLINGS PROVIDED FOR RACEWAY ATTACHMENT)

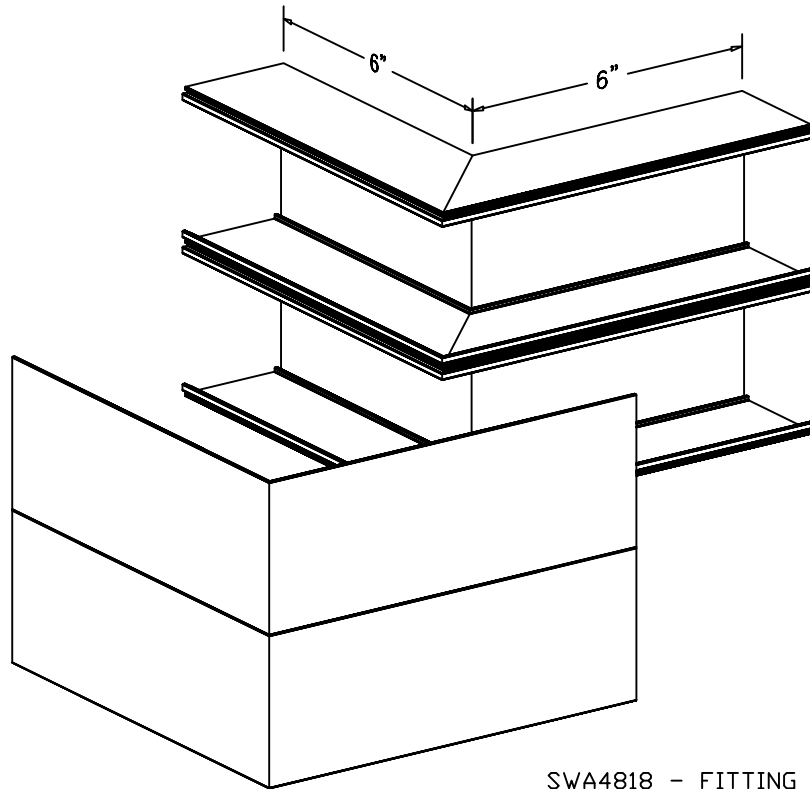


SWA4800 SERIES
ALUMINUM RACEWAY
SECTION VIEW
SATIN ANNOXIDIZED FINISH
(EACH ORDERED SEPARATELY)

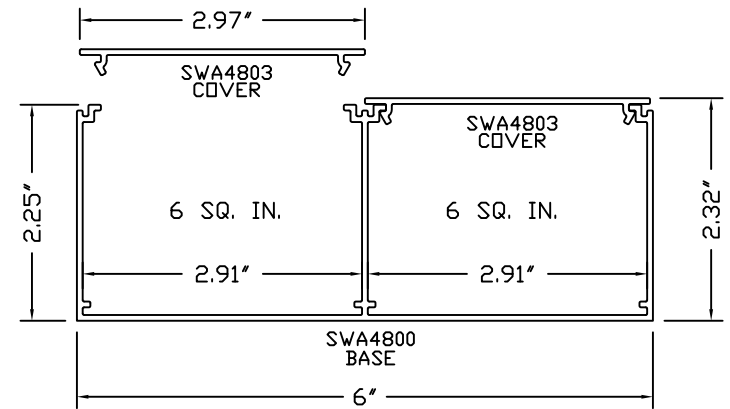


SnapWay™
SWA4800 Series

SWA4800 SERIES
SWA4818 - 90° EXTERNAL ELBOW



SWA4818 - FITTING AND COVER
(COUPLINGS PROVIDED FOR RACEWAY ATTACHMENT)

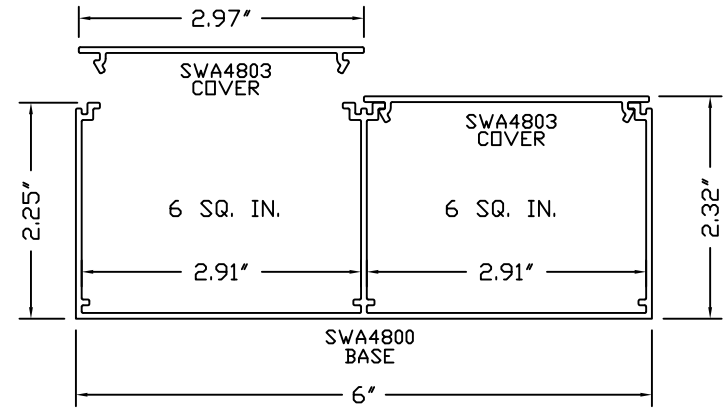
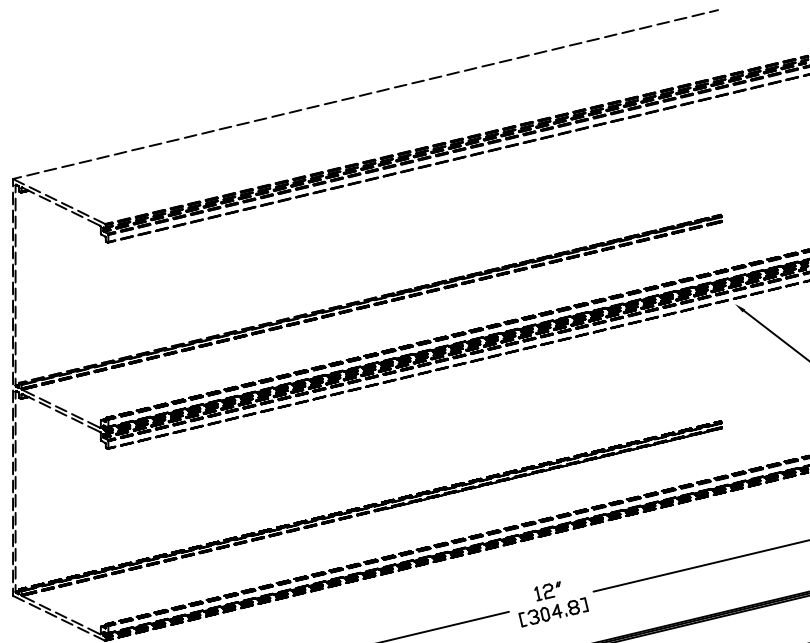


SWA4800 SERIES
ALUMINUM RACEWAY
SECTION VIEW
SATIN ANNOIDIZED FINISH
(EACH ORDERED SEPARATELY)



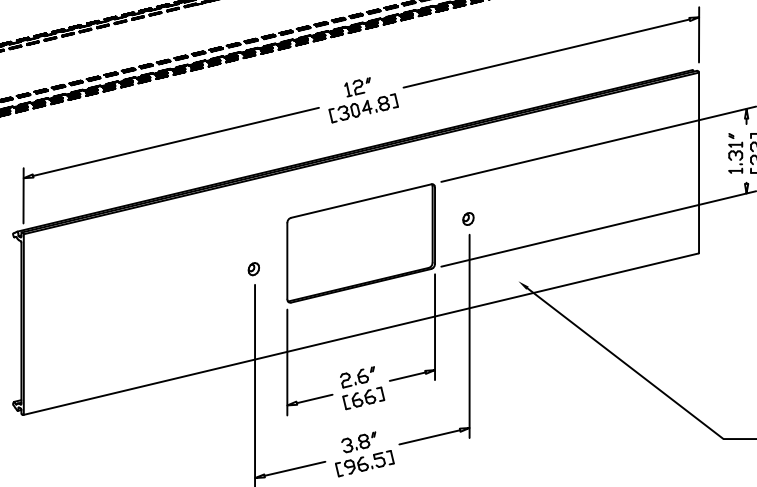
SnapWay™
SWA4800 Series

SWA4800 SERIES
SWA4823 - RECTANGULAR DEVICE PLATE



SWA4800 SERIES
ALUMINUM RACEWAY
SECTION VIEW
SATIN ANNOIDIZED FINISH
(EACH ORDERED SEPARATELY)

SWA4800 - BASE
(ORDERED SEPARATELY)



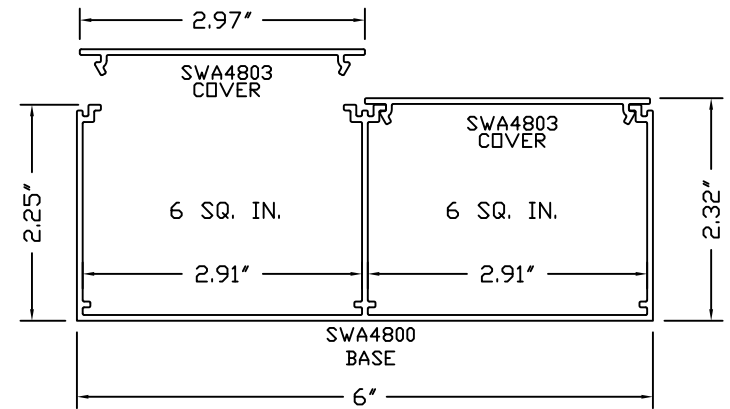
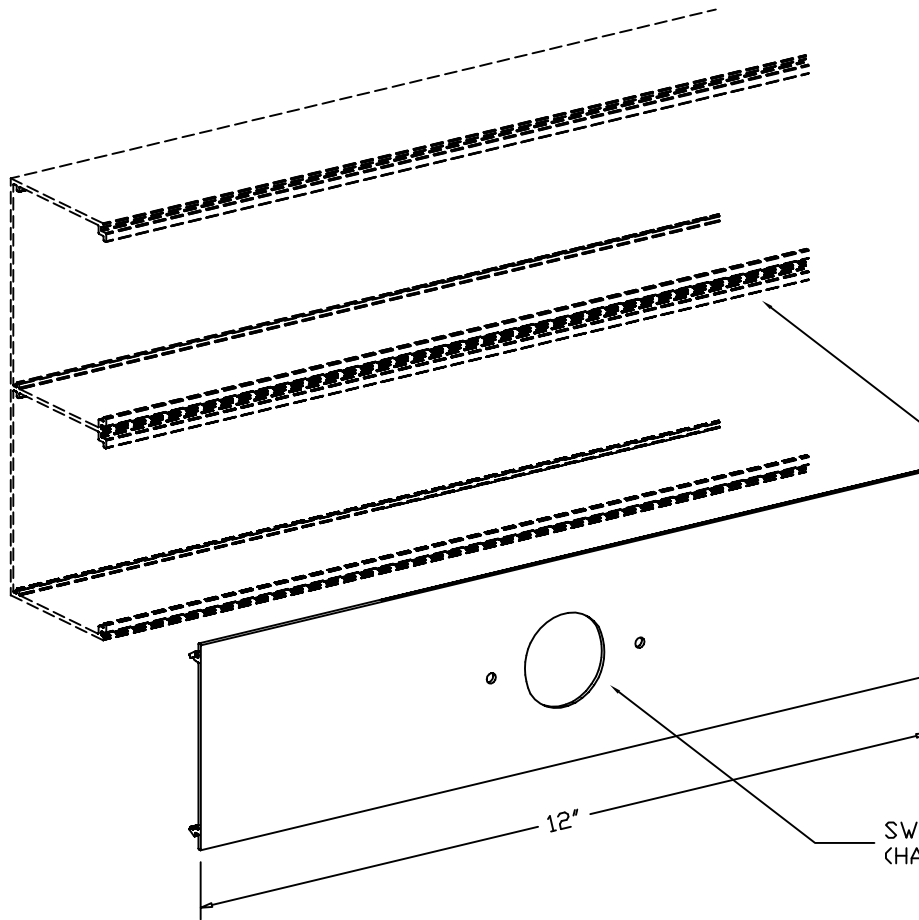
SWA4823 - RECTANGULAR (DECOR) DEVICE PLATE
(HARDWARE PROVIDED)



MONO-SYSTEMS, INC.
UNIQUE CABLE DISTRIBUTION SOLUTIONS
4 INTERNATIONAL DRIVE
RYE BROOK, NEW YORK 10573
PHONE: (914)-934-2075
FAX: (914)-934-2190

SnapWay™
SWA4800 Series

SWA4800 SERIES
SWA4825 - ROUND DEVICE PLATE 1.4" DIA.



SWA4800 SERIES
ALUMINUM RACEWAY
SECTION VIEW
SATIN ANNOXIDIZED FINISH
(EACH ORDERED SEPARATELY)

SWA4800 - BASE
(ORDERED SEPARATELY)

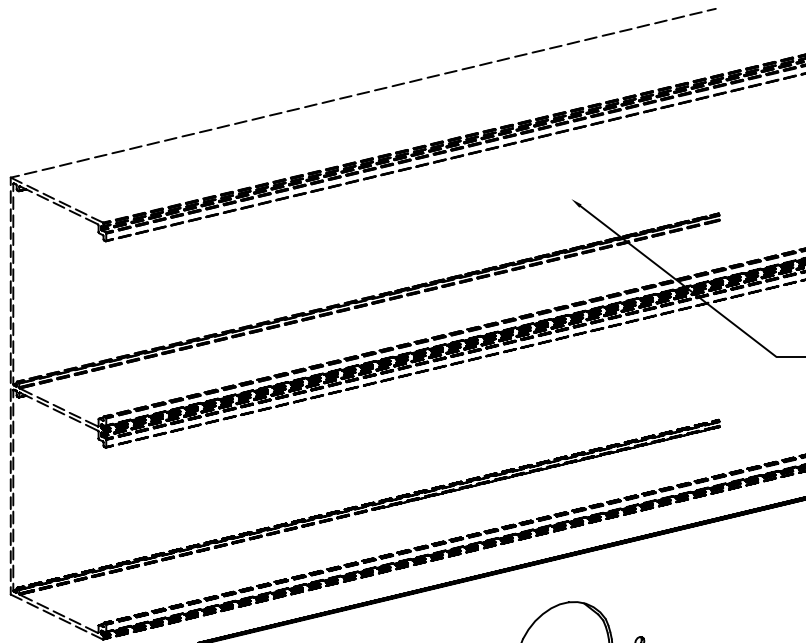
SWA4825 - ROUND DEVICE PLATE 1.4" DIA.
(HARDWARE PROVIDED)



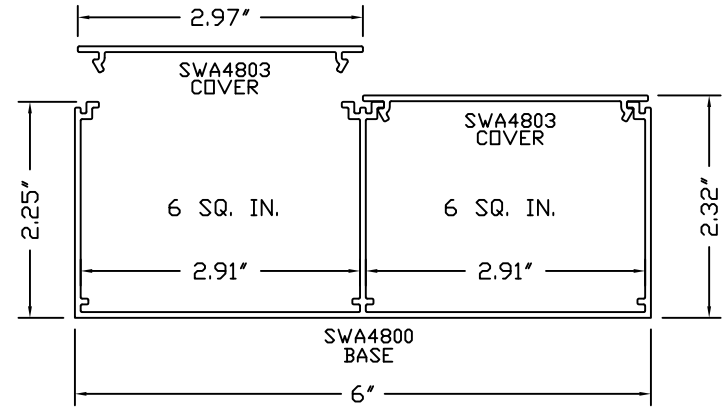
MONO-SYSTEMS, INC.
UNIQUE CABLE DISTRIBUTION SOLUTIONS
4 INTERNATIONAL DRIVE
RYE BROOK, NEW YORK 10573
PHONE: (914)-934-2075
FAX: (914)-934-2190

SnapWay™
SWA4800 Series

SWA4800 SERIES
SWA4826 - ROUND DEVICE PLATE 1.59" DIA.

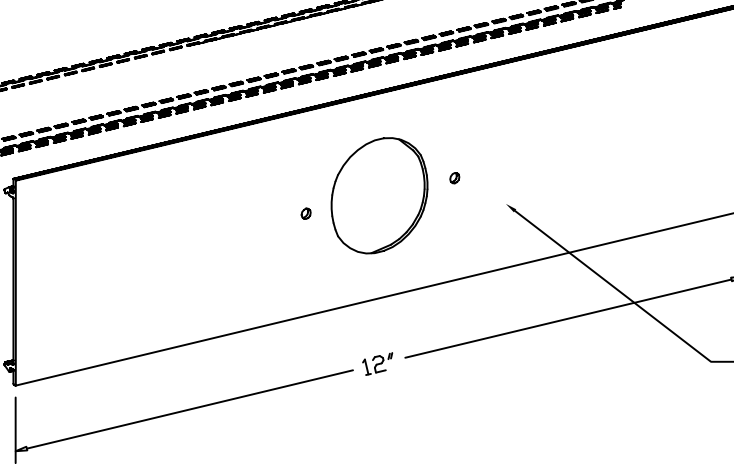


SWA4800 - BASE
(ORDERED SEPARATELY)



SWA4800 SERIES
ALUMINUM RACEWAY
SECTION VIEW
SATIN ANNOIDIZED FINISH
(EACH ORDERED SEPARATELY)

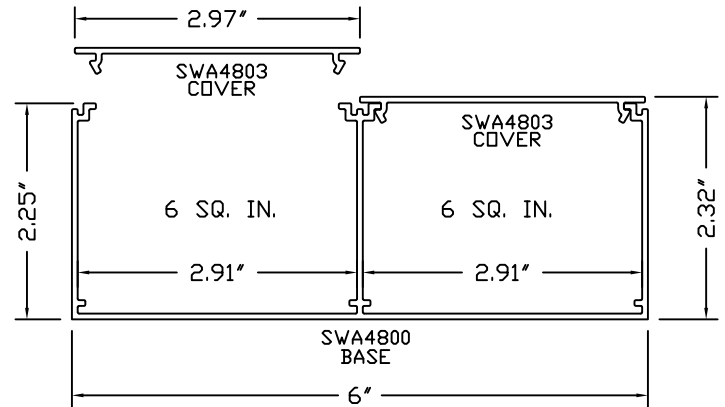
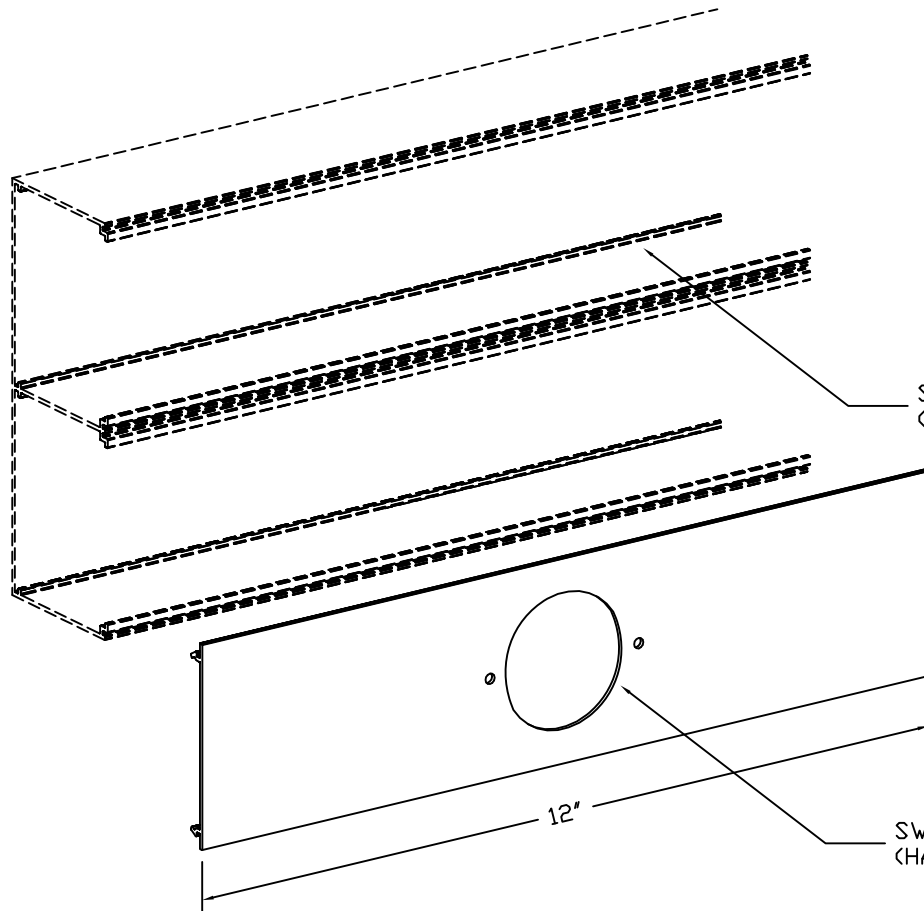
SWA4826 - ROUND DEVICE PLATE 1.59" DIA.
(HARDWARE PROVIDED)



MONO-SYSTEMS, INC.
UNIQUE CABLE DISTRIBUTION SOLUTIONS
4 INTERNATIONAL DRIVE
RYE BROOK, NEW YORK 10573
PHONE: (914)-934-2075
FAX: (914)-934-2190

SnapWay™
SWA4800 Series

SWA4800 SERIES
SWA4845 - ROUND DEVICE PLATE 2.16" DIA.



SWA4800 SERIES
ALUMINUM RACEWAY
SECTION VIEW
SATIN ANNOIDIZED FINISH
(EACH ORDERED SEPARATELY)

SWA4800 - BASE
(ORDERED SEPARATELY)

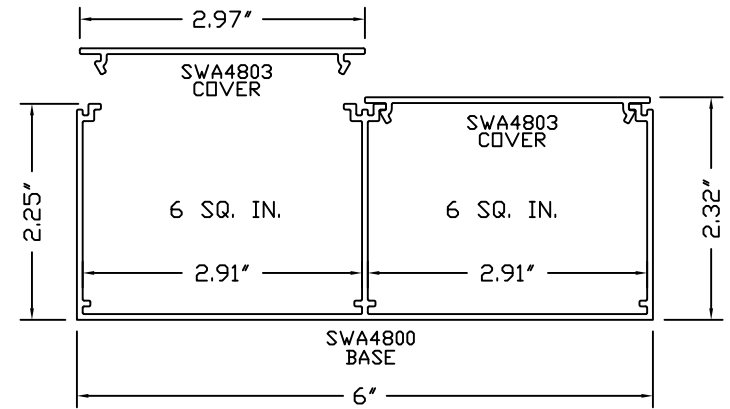
SWA4845 - ROUND DEVICE PLATE 2.16" DIA.
(HARDWARE PROVIDED)



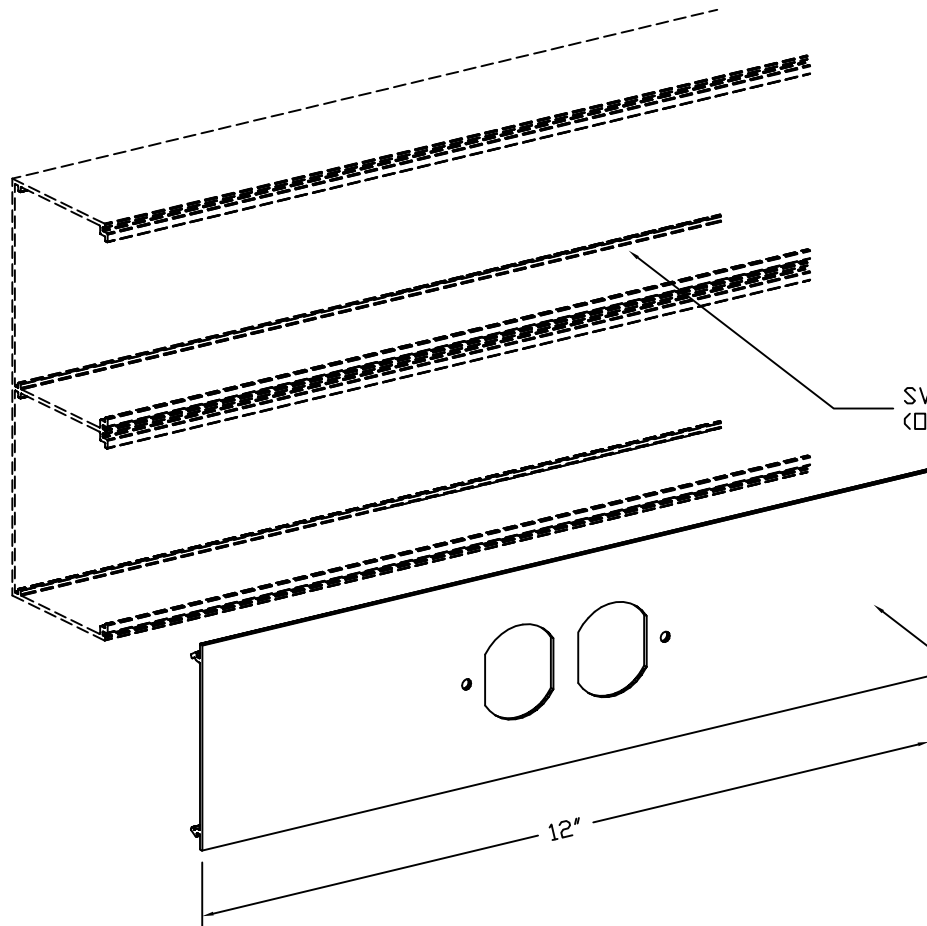
MONO-SYSTEMS, INC.
UNIQUE CABLE DISTRIBUTION SOLUTIONS
4 INTERNATIONAL DRIVE
RYE BROOK, NEW YORK 10573
PHONE: (914)-934-2075
FAX: (914)-934-2190

SnapWay™
SWA4800 Series

SWA4800 SERIES
SWA4846 - DUPLEX DEVICE PLATE



SWA4800 SERIES
ALUMINUM RACEWAY
SECTION VIEW
SATIN ANNOIDIZED FINISH
(EACH ORDERED SEPARATELY)



SWA4800 - BASE
(ORDERED SEPARATELY)

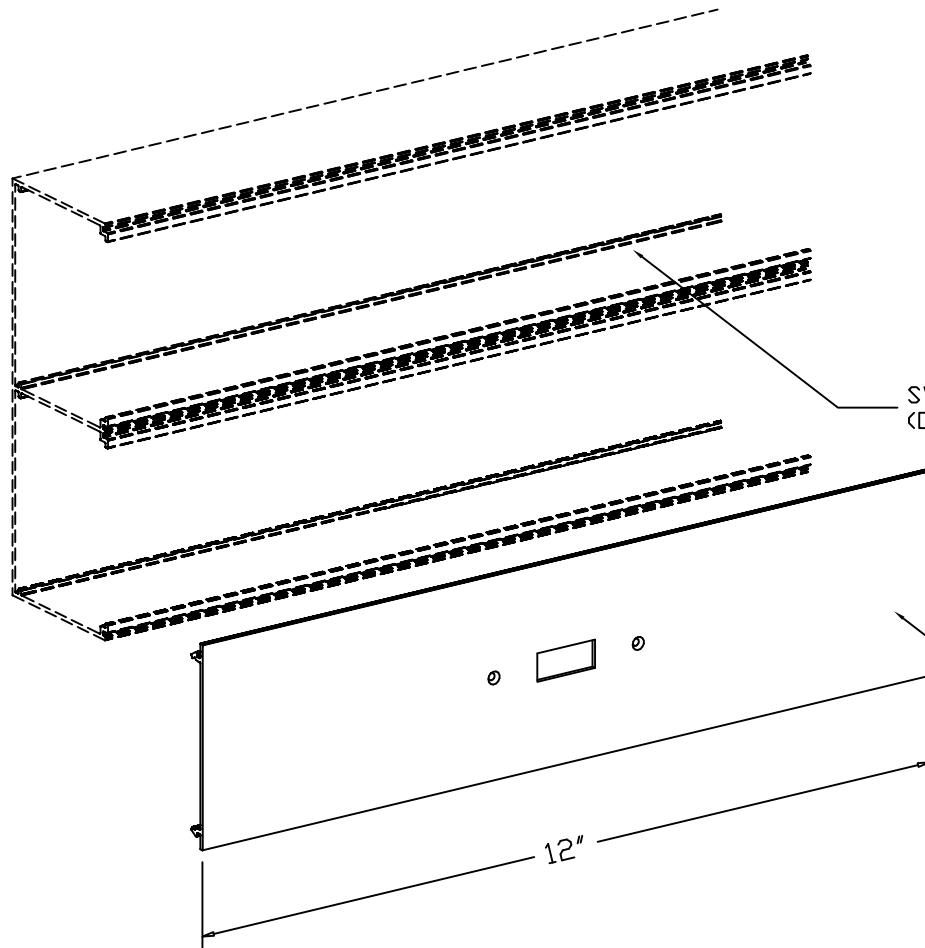
SWA4846 - DUPLEX DEVICE PLATE
(HARDWARE PROVIDED)



MONO-SYSTEMS, INC.
UNIQUE CABLE DISTRIBUTION SOLUTIONS
4 INTERNATIONAL DRIVE
RYE BROOK, NEW YORK 10573
PHONE: (914)-934-2075
FAX: (914)-934-2190

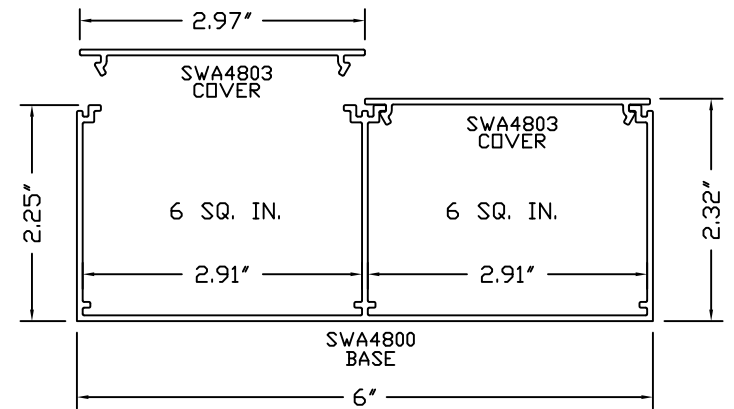
SnapWay™
SWA4800 Series

SWA4800 SERIES
SWA4848 - SWITCH DEVICE PLATE



SWA4800 - BASE
(ORDERED SEPARATELY)

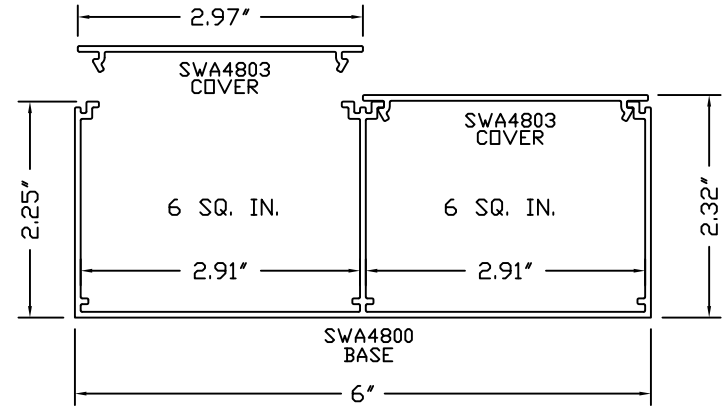
SWA4848 - SWITCH DEVICE PLATE
(HARDWARE PROVIDED)



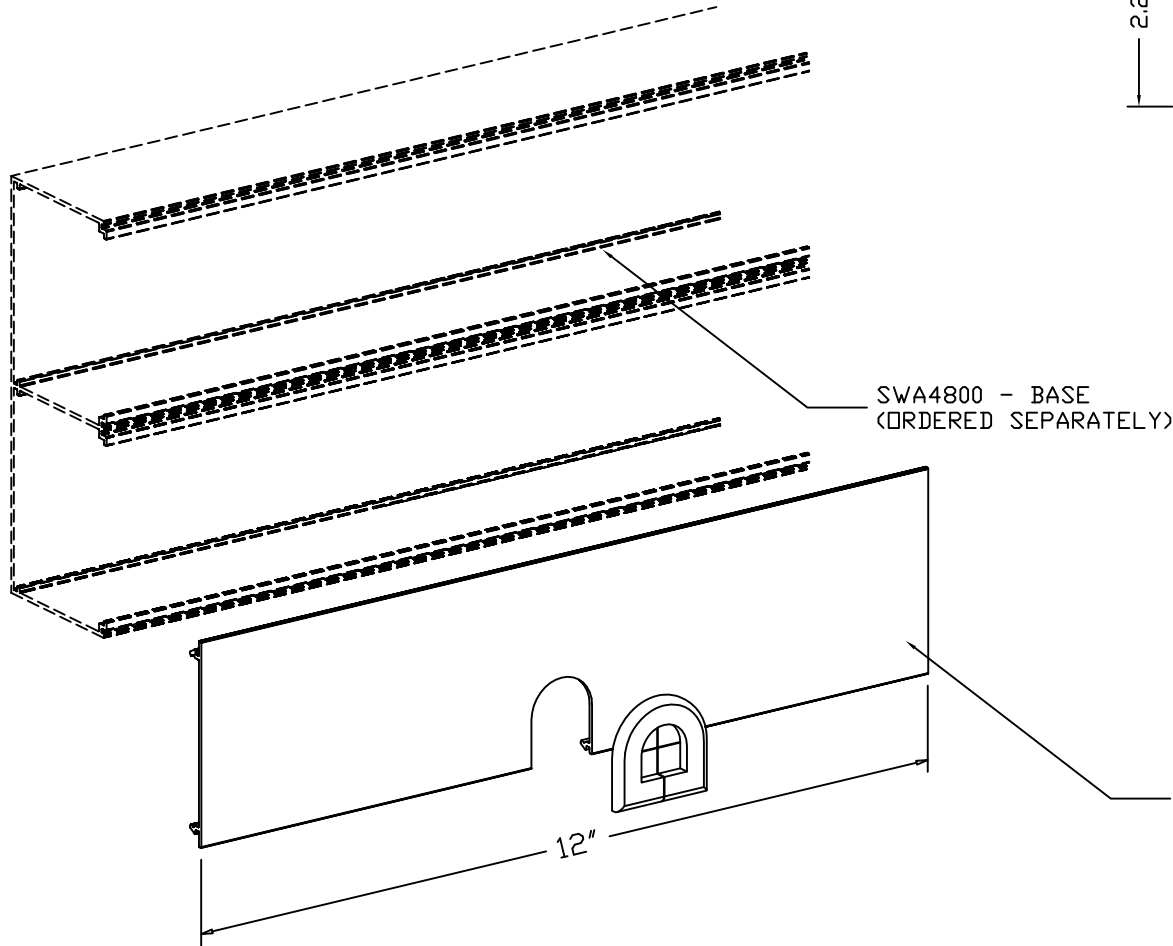
SWA4800 SERIES
ALUMINUM RACEWAY
SECTION VIEW
SATIN ANNOIDIZED FINISH
(EACH ORDERED SEPARATELY)

SnapWay™
SWA4800 Series

SWA4800 SERIES
SWA4853 - MOUSE HOLE PLATE



SWA4800 SERIES
ALUMINUM RACEWAY
SECTION VIEW
SATIN ANNOXIDIZED FINISH
(EACH ORDERED SEPARATELY)



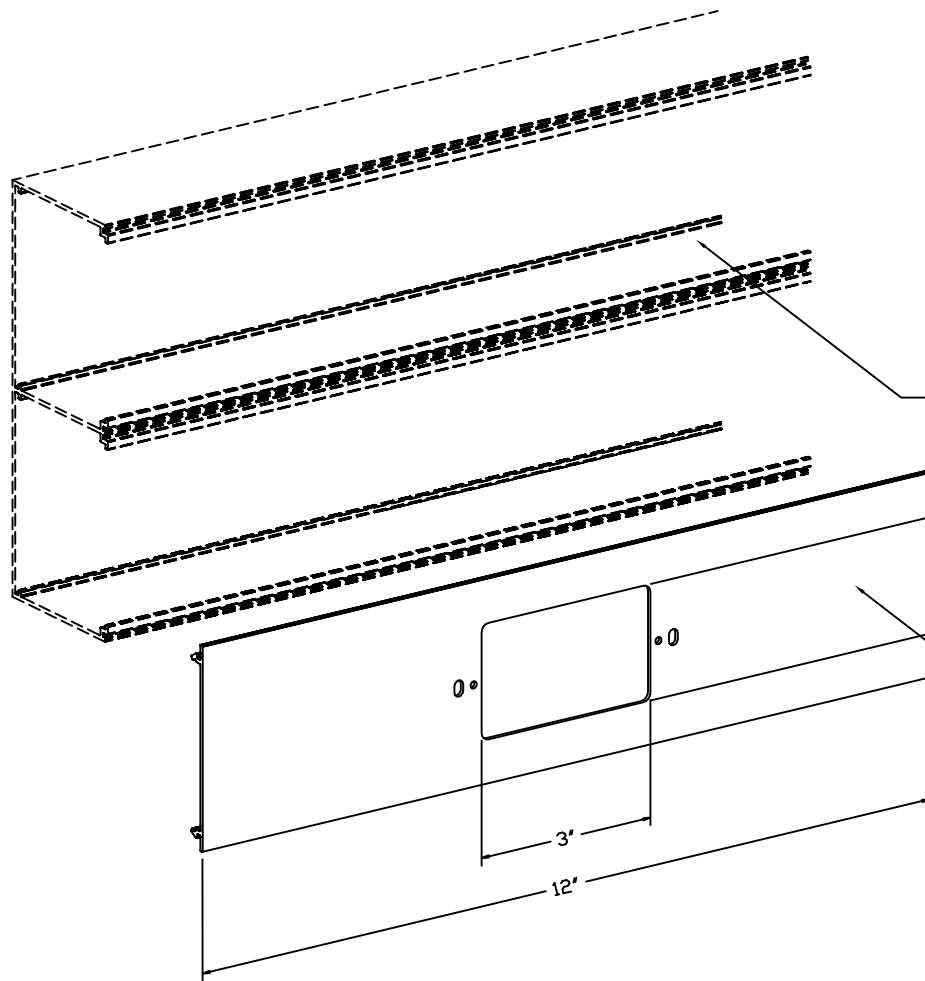
SWA4853 - MOUSE HOLE PLATE
(GROMMET PROVIDED)



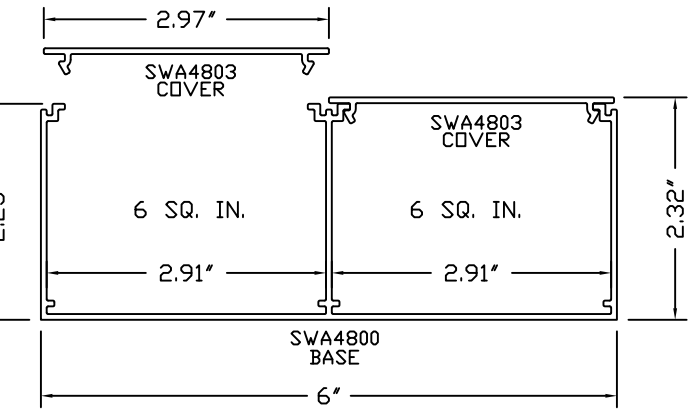
MONO-SYSTEMS, INC.
UNIQUE CABLE DISTRIBUTION SOLUTIONS
4 INTERNATIONAL DRIVE
RYE BROOK, NEW YORK 10573
PHONE: (914)-934-2075
FAX: (914)-934-2190

SnapWay™
SWA4800 Series

SWA4800 SERIES
SWA4857 - UNIVERSAL DEVICE PLATE



SWA4800 - BASE
(ORDERED SEPARATELY)



SWA4800 SERIES
ALUMINUM RACEWAY
SECTION VIEW
SATIN ANNOIDIZED FINISH
(EACH ORDERED SEPARATELY)

SWA4857 - UNIVERSAL DEVICE PLATE



MONO-SYSTEMS, INC.
UNIQUE CABLE DISTRIBUTION SOLUTIONS
4 INTERNATIONAL DRIVE
RYE BROOK, NEW YORK 10573
PHONE: (914)-934-2075
FAX: (914)-934-2190