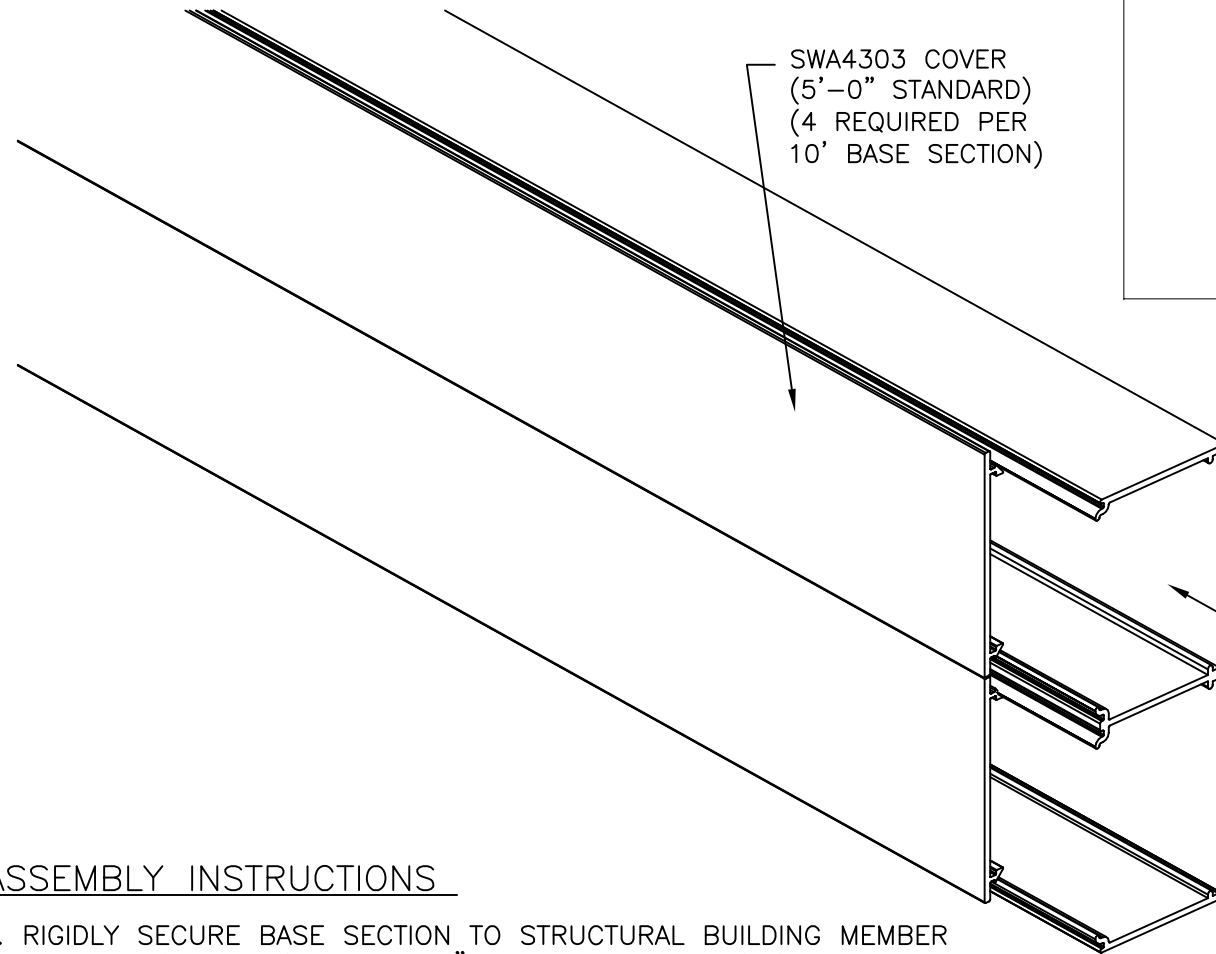
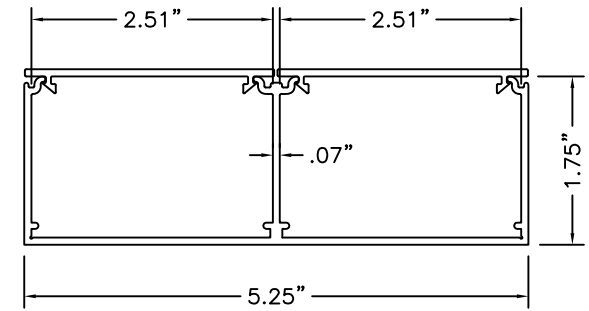


SnapWay™ SWA4300 Series

TWO COMPARTMENT ALUMINUM RACEWAY
BASE AND COVER (SWA4300 & SWA4303)



SWA4303 COVER
(5'-0" STANDARD)
(4 REQUIRED PER
10' BASE SECTION)



SWA4300 SERIES
ALUMINUM RACEWAY - SECTION
SATIN ANODIZED FINISH
(BASE AND COVER ORDERED SEPARATELY)

SWA4300 BASE
(10'-0" STANDARD)

ASSEMBLY INSTRUCTIONS

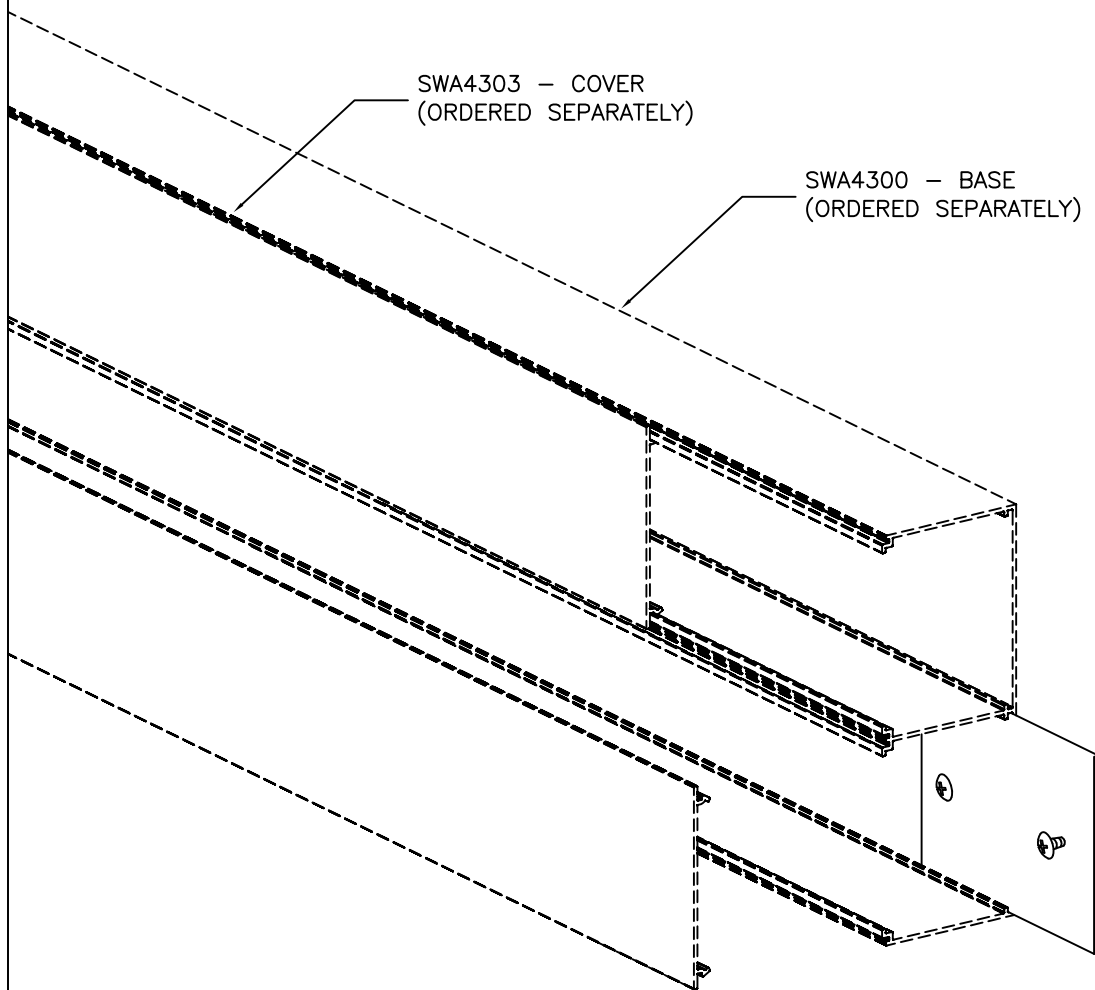
1. RIGIDLY SECURE BASE SECTION TO STRUCTURAL BUILDING MEMBER OR WALL CONSTRUCTION AT 18" MAXIMUM MOUNTING CENTERS. ENGINEER TO VERIFY FASTENERS & MOUNTING INTERVAL BASED ON MOUNTING SURFACE CONSTRUCTION. (HARDWARE BY OTHERS)

MATERIAL: #6063-T6 EXTRUDED ALUMINUM.
NOMINAL WALL THICKNESS 0.070".



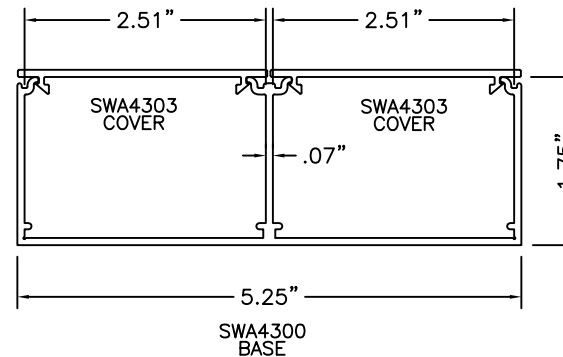
MONO-SYSTEMS, INC.
UNIQUE CABLE DISTRIBUTION SOLUTIONS
4 INTERNATIONAL DRIVE
RYE BROOK, NEW YORK 10573
PHONE: (914)-934-2075
FAX: (914)-934-2190

SnapWay™ SWA4300 SERIES
 SWA4300 Series SWA4302 – COUPLING

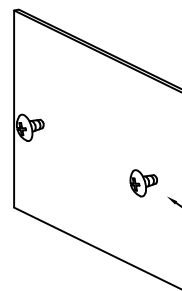


SWA4303 – COVER
 (ORDERED SEPARATELY)

SWA4300 – BASE
 (ORDERED SEPARATELY)



ALUMINUM RACEWAY
 SECTION VIEW
 SATIN ANODIZED FINISH
 (EACH ORDERED SEPARATELY)

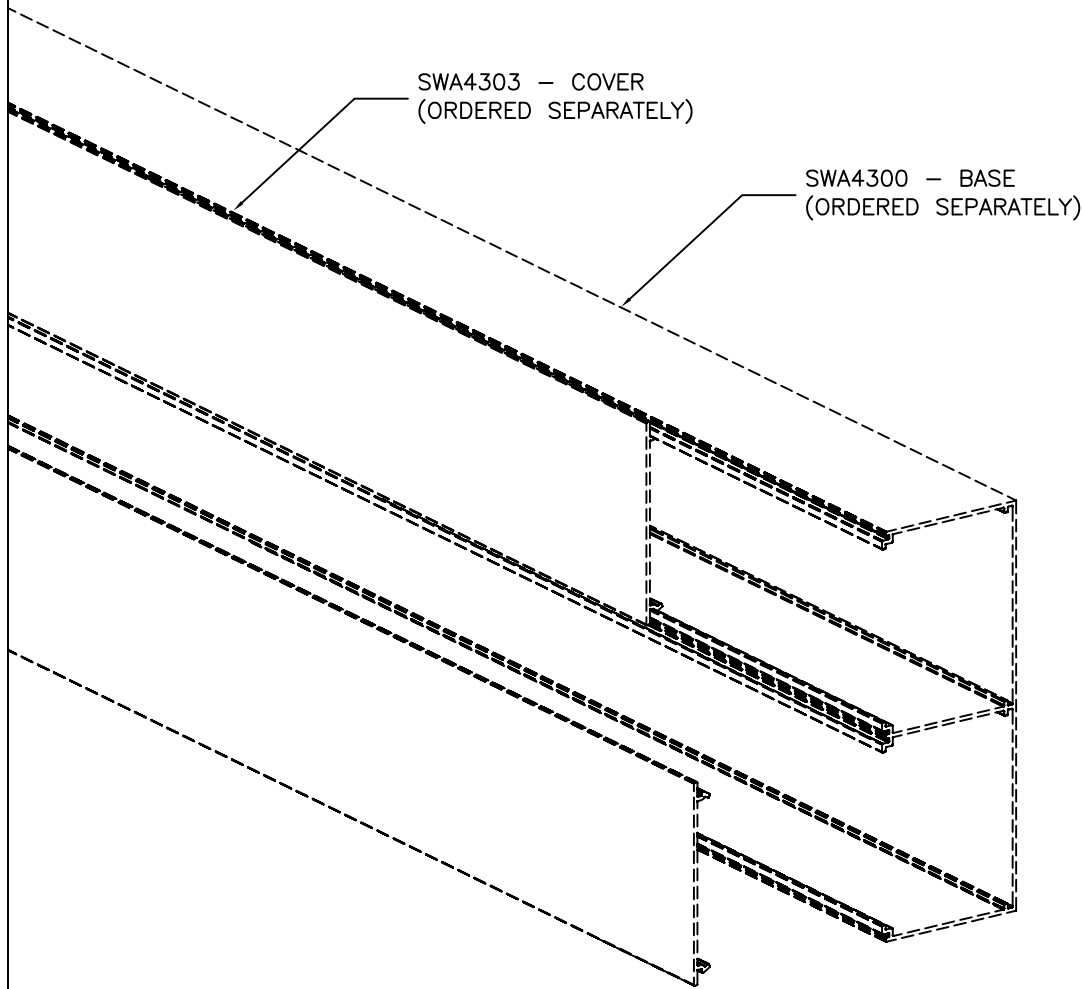


SWA4302 – COUPLING
 SOLD IN PAIRS AS SHOWN
 (ASSY. HARDWARE INC.)



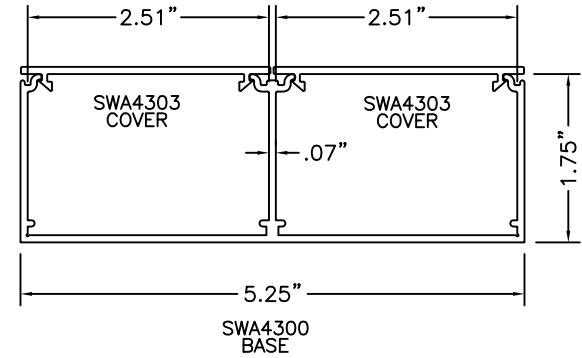
MONO-SYSTEMS, INC.
 UNIQUE CABLE DISTRIBUTION SOLUTIONS
 4 INTERNATIONAL DRIVE
 RYE BROOK, NEW YORK 10573
 PHONE: (914)–934–2075
 FAX: (914)–934–2190

SnapWay™ SWA4300 SERIES
 SWA4300 Series SWA4304 – BLIND END

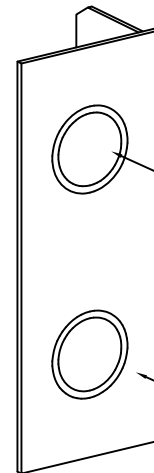


SWA4303 – COVER
 (ORDERED SEPARATELY)

SWA4300 – BASE
 (ORDERED SEPARATELY)



ALUMINUM RACEWAY
 SECTION VIEW
 SATIN ANODIZED FINISH
 (EACH ORDERED SEPARATELY)

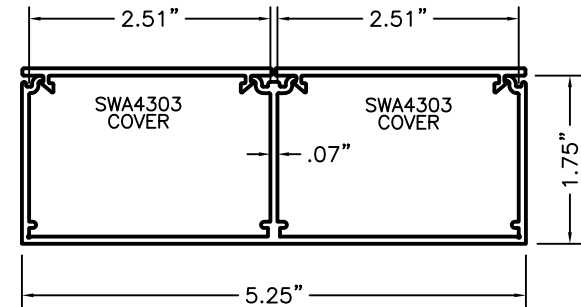
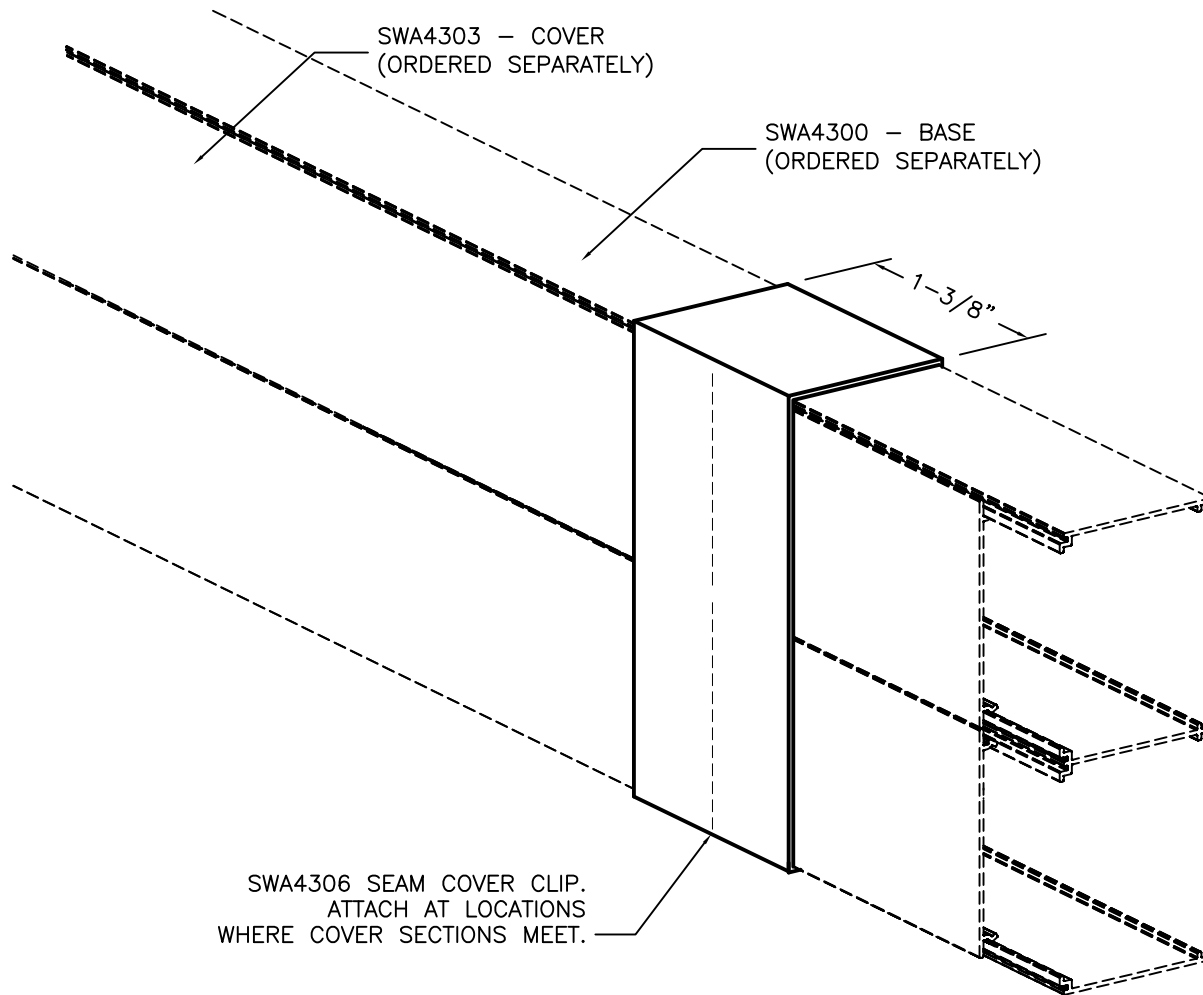


1/2" X 3/4" CONCENTRIC
 TRADE K.O. (TYP)

SWA4304 – BLIND END
 (ASSY. HARDWARE INC.)



SnapWay™ SWA4300 SERIES
 SWA4300 Series SWA4306 – SEAM COVER CLIP

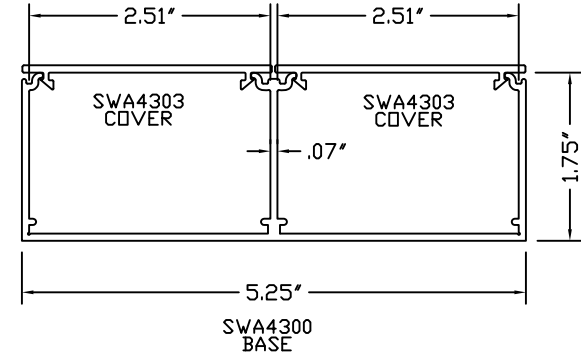
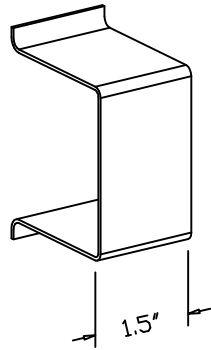


SWA4300
 BASE

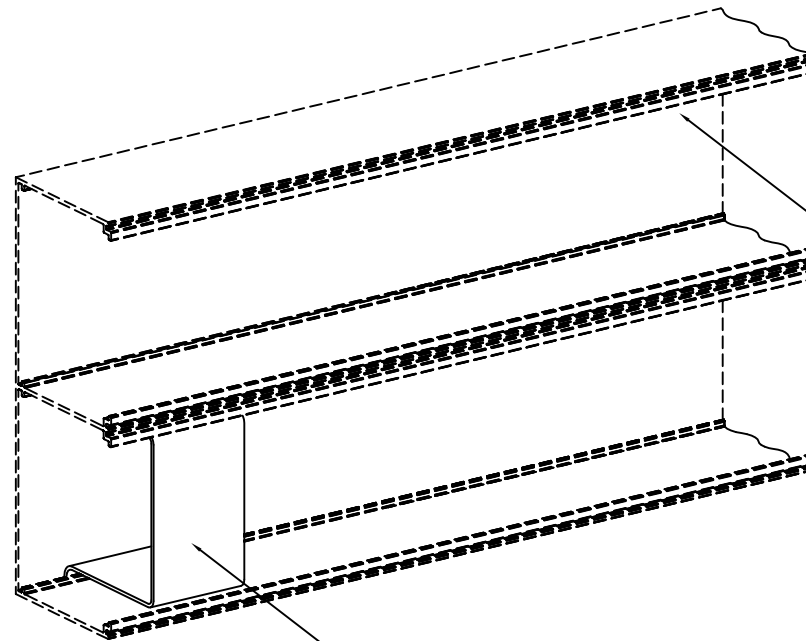
SWA4300 SERIES
 ALUMINUM RACEWAY
 SECTION VIEW
 SATIN ANODIZED FINISH
 (EACH ORDERED SEPARATELY)

SnapWay™ SWA4300 Series

SWA4300 SERIES SWA4307 - WIRE CLIP



SWA4300 SERIES
ALUMINUM RACEWAY
SECTION VIEW
SATIN ANNOIDIZED FINISH
(EACH ORDERED SEPARATELY)



SWA4300 - BASE
(ORDERED SEPARATELY)

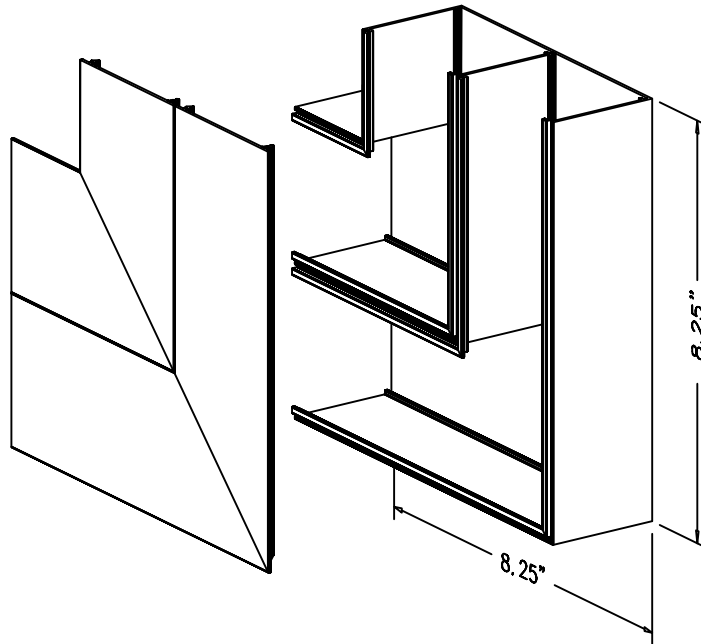
SWA4307 - WIRE CLIP



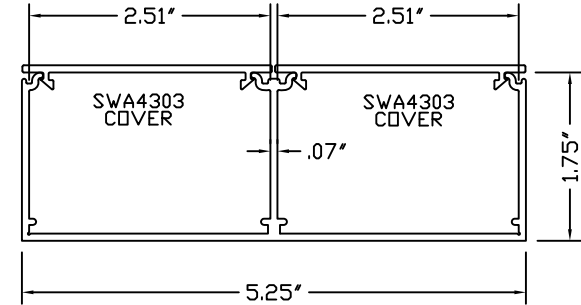
MONO-SYSTEMS, INC.
UNIQUE CABLE DISTRIBUTION SOLUTIONS
4 INTERNATIONAL DRIVE
RYE BROOK, NEW YORK 10573
PHONE: (914)-934-2075
FAX: (914)-934-2190

SnapWay™
SWA4300 Series

SWA4300 SERIES
SWA4309 - 90° FLAT ELBOW



SWA4309 - FITTING AND COVER
(COUPLINGS PROVIDED FOR RACEWAY ATTACHMENT)

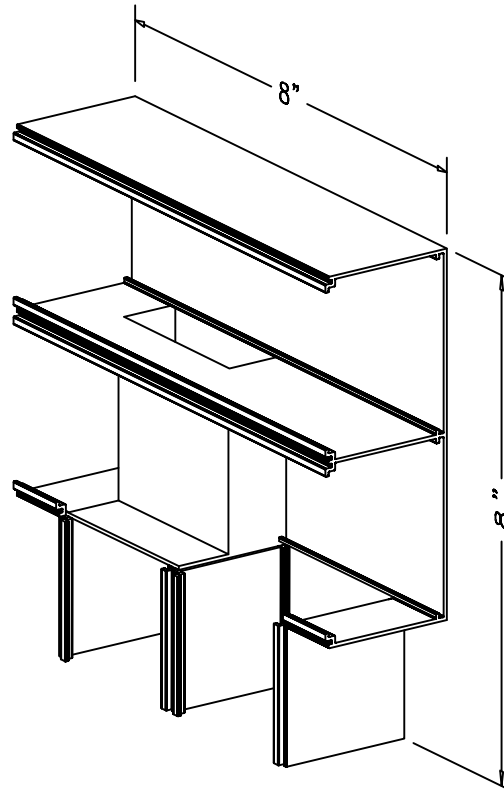
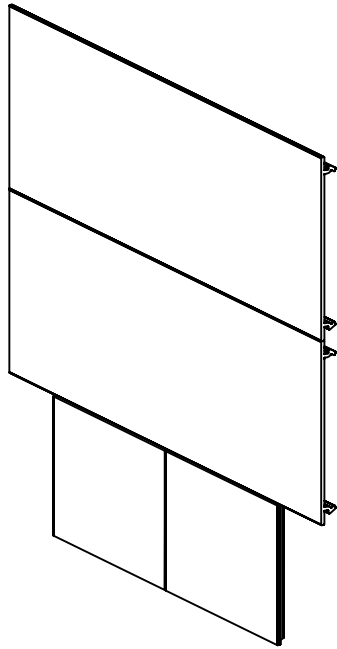


SWA4300
BASE
SWA4300 SERIES
ALUMINUM RACEWAY
SECTION VIEW
SATIN ANNOXIDIZED FINISH
(EACH ORDERED SEPARATELY)

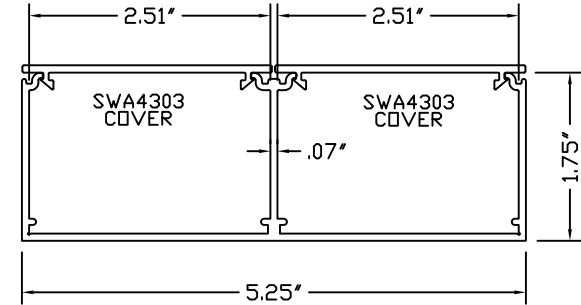


SnapWay™
SWA4300 Series

SWA4300 SERIES
SWA4310 - DIVIDED TEE



SWA4310 - FITTING AND COVER
(COUPLINGS PROVIDED FOR RACEWAY ATTACHMENT)

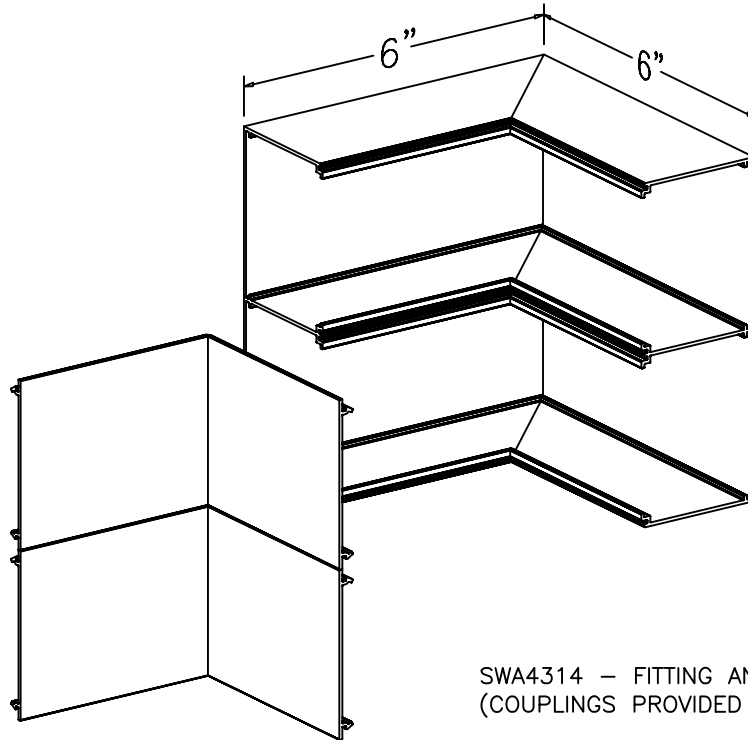


SWA4300
BASE
SWA4300 SERIES
ALUMINUM RACEWAY
SECTION VIEW
SATIN ANNOXIDIZED FINISH
(EACH ORDERED SEPARATELY)

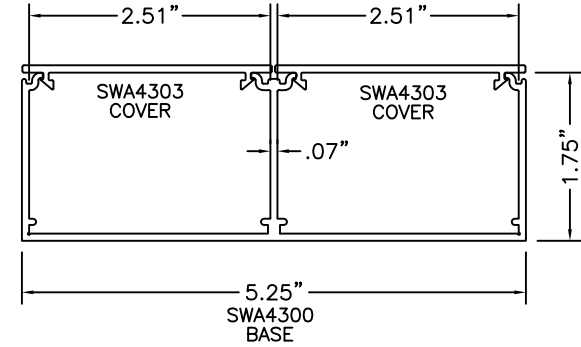


SnapWay™
SWA4300 Series

SWA4300 SERIES
SWA4314 – 90° INTERNAL ELBOW



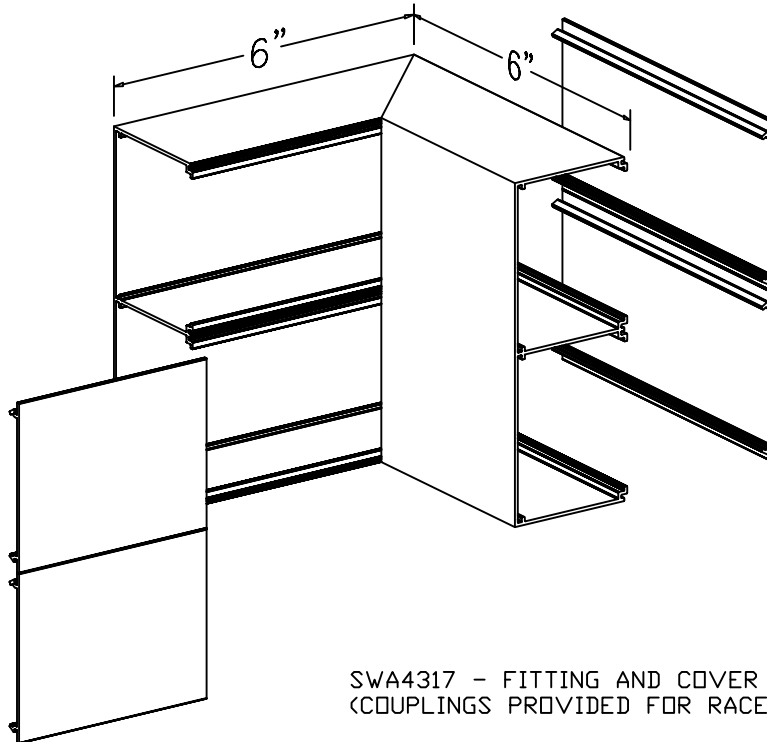
SWA4314 – FITTING AND COVER
(COUPLINGS PROVIDED FOR RACEWAY ATTACHMENT)



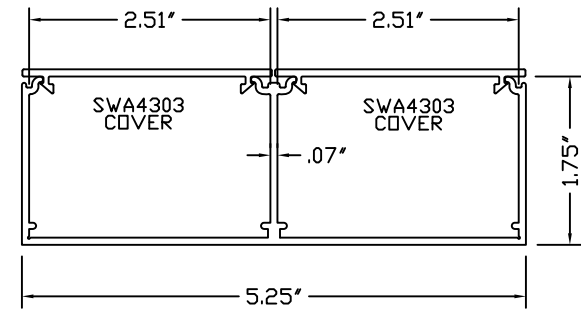
SWA4300 SERIES
ALUMINUM RACEWAY
SECTION VIEW
SATIN ANNOIDIZED FINISH
(EACH ORDERED SEPARATELY)



SnapWay™ SWA4300 SERIES
 SWA4300 Series SWA4317 - 90° INVERTED INTERNAL ELBOW



SWA4317 - FITTING AND COVER
 (COUPLINGS PROVIDED FOR RACEWAY ATTACHMENT)

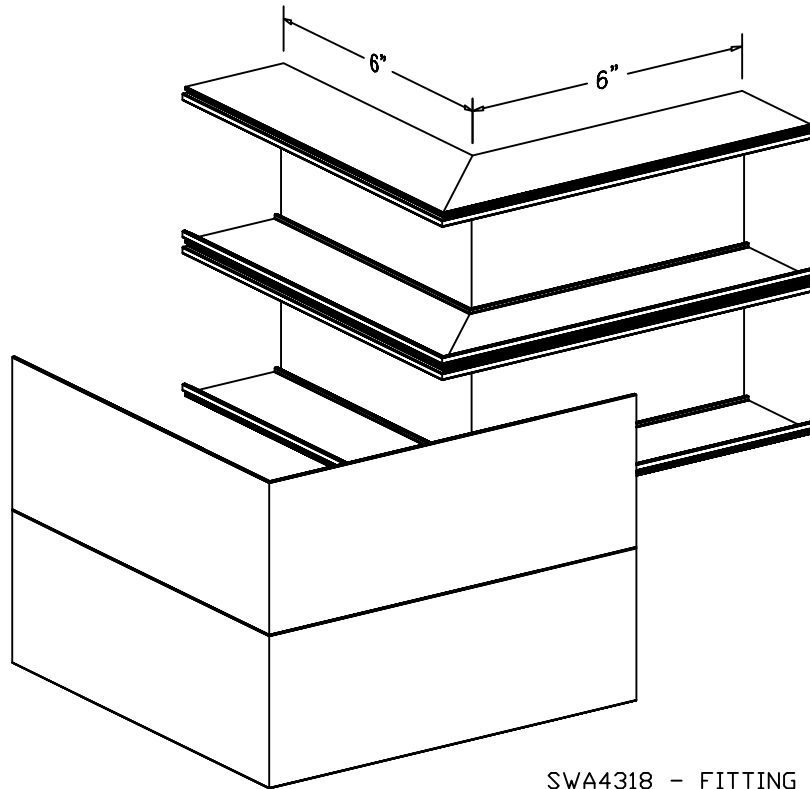


SWA4300
 BASE
 SWA4300 SERIES
 ALUMINUM RACEWAY
 SECTION VIEW
 SATIN ANNOXIDIZED FINISH
 (EACH ORDERED SEPARATELY)

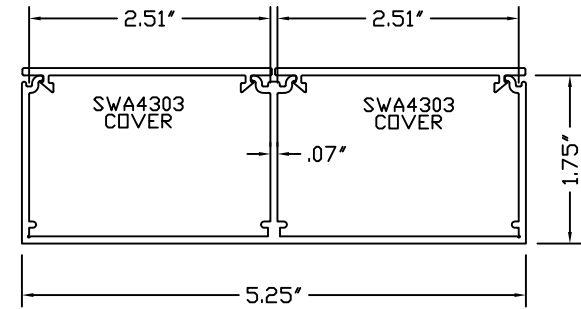


SnapWay™
SWA4300 Series

SWA4300 SERIES
SWA4318 - 90° EXTERNAL ELBOW



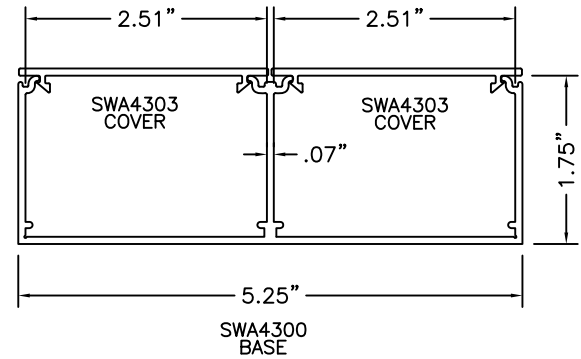
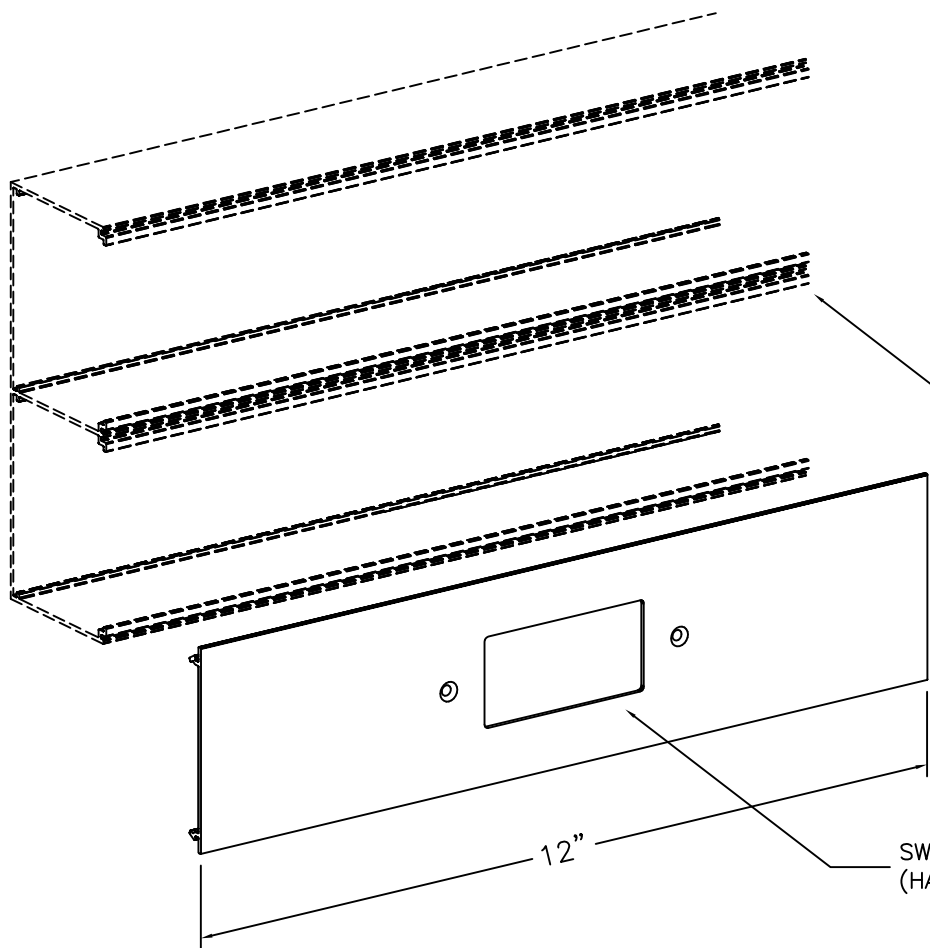
SWA4318 - FITTING AND COVER
(COUPLINGS PROVIDED FOR RACEWAY ATTACHMENT)



SWA4300
BASE
SWA4300 SERIES
ALUMINUM RACEWAY
SECTION VIEW
SATIN ANNOIDIZED FINISH
(EACH ORDERED SEPARATELY)



SnapWay™ SWA4300 SERIES
 SWA4300 Series SWA4323 – RECTANGULAR DEVICE PLATE



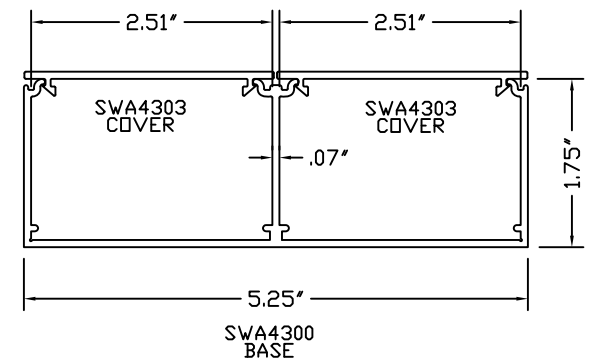
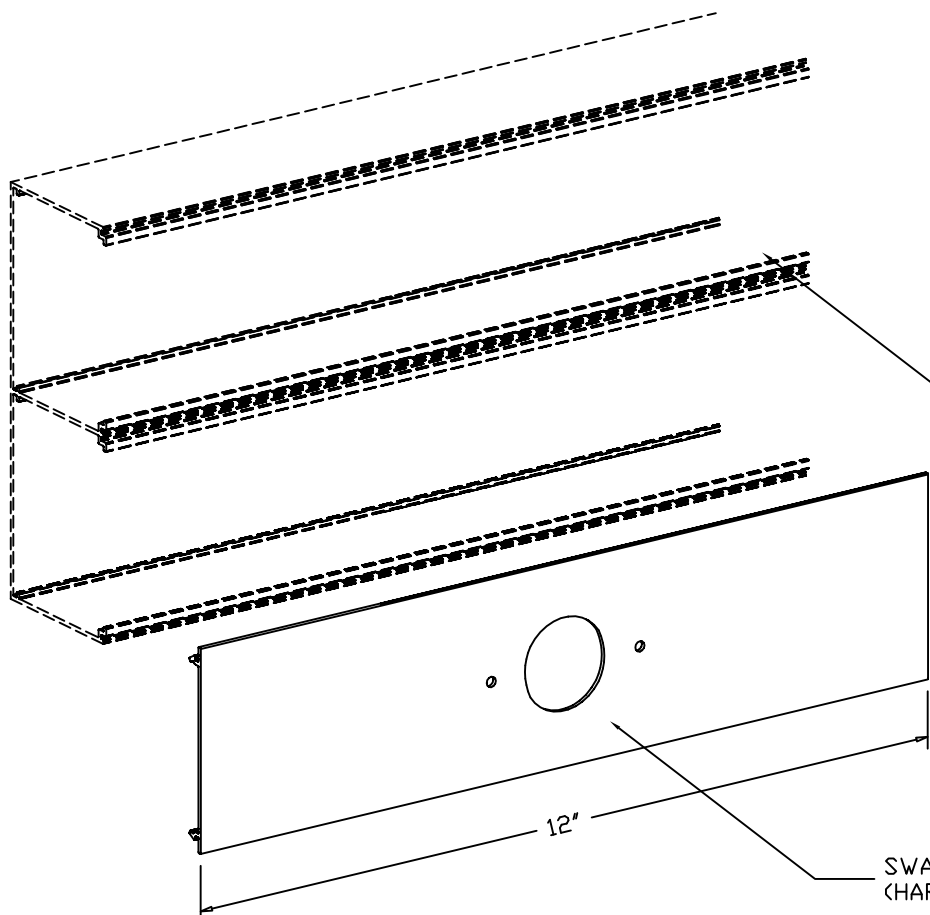
ALUMINUM RACEWAY
 SECTION VIEW
 SATIN ANODIZED FINISH
 (EACH ORDERED SEPARATELY)

SWA4300 – BASE
 (ORDERED SEPARATELY)

SWA4323 – RECTANGULAR (DECOR) DEVICE PLATE
 (HARDWARE PROVIDED)

SnapWay™
SWA4300 Series

SWA4300 SERIES
SWA4325 - ROUND DEVICE PLATE 1.4" DIA.



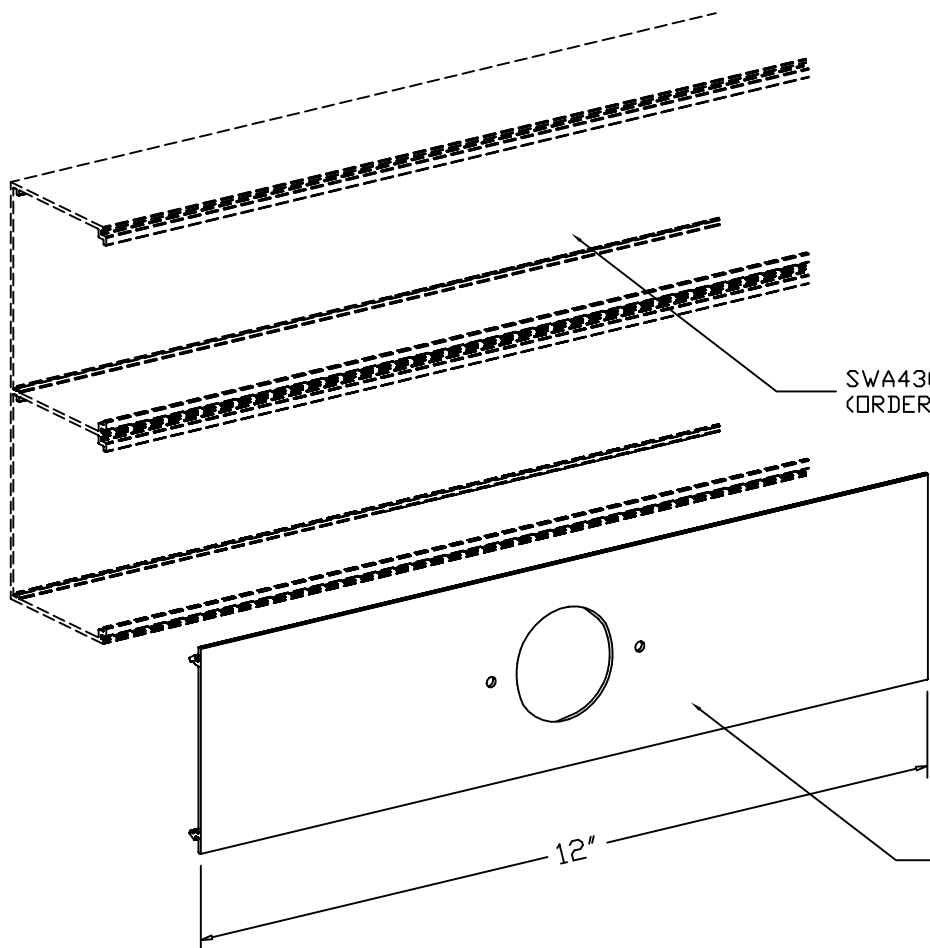
SWA4300 SERIES
ALUMINUM RACEWAY
SECTION VIEW
SATIN ANNOXIDIZED FINISH
(EACH ORDERED SEPARATELY)

SWA4300 - BASE
(ORDERED SEPARATELY)

SWA4325 - ROUND DEVICE PLATE 1.4" DIA.
(HARDWARE PROVIDED)

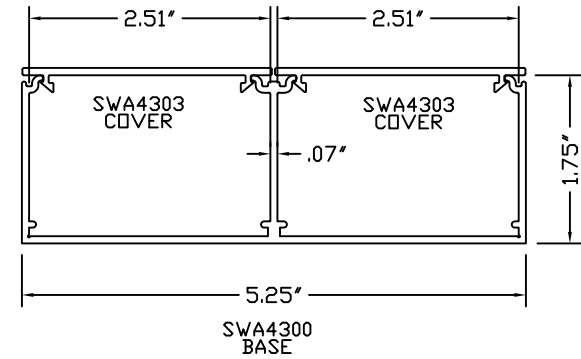
SnapWay™
SWA4300 Series

SWA4300 SERIES
SWA4326 - ROUND DEVICE PLATE 1.59" DIA.



SWA4300 - BASE
(ORDERED SEPARATELY)

SWA4326 - ROUND DEVICE PLATE 1.59" DIA.
(HARDWARE PROVIDED)

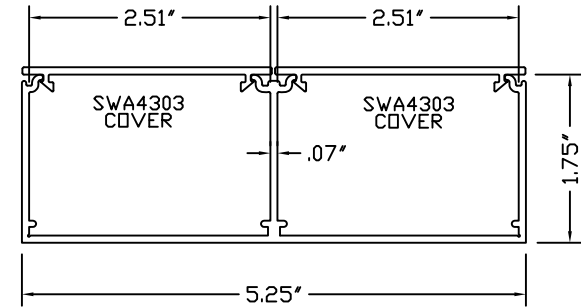
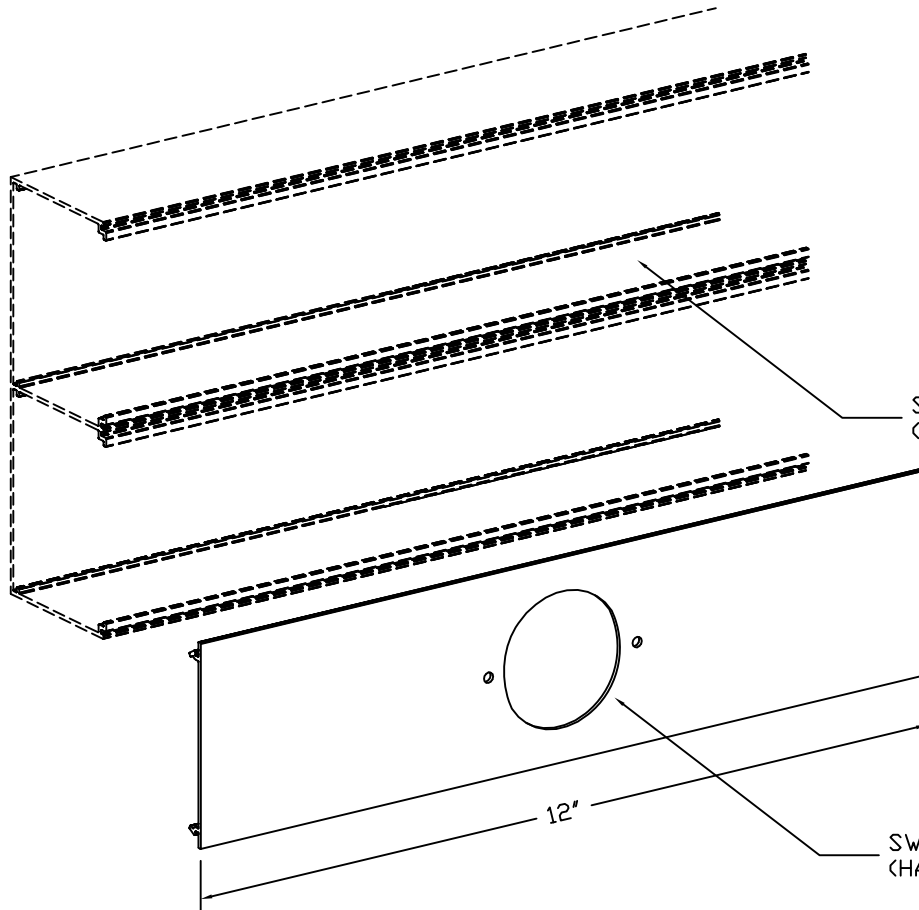


SWA4300 SERIES
ALUMINUM RACEWAY
SECTION VIEW
SATIN ANNOIDIZED FINISH
(EACH ORDERED SEPARATELY)



SnapWay™
SWA4300 Series

SWA4300 SERIES
SWA4345 - ROUND DEVICE PLATE 2.16" DIA.



SWA4300
BASE

SWA4300 SERIES
ALUMINUM RACEWAY
SECTION VIEW
SATIN ANNOIDIZED FINISH
(EACH ORDERED SEPARATELY)

SWA4300 - BASE
(ORDERED SEPARATELY)

SWA4345 - ROUND DEVICE PLATE 2.16" DIA.
(HARDWARE PROVIDED)

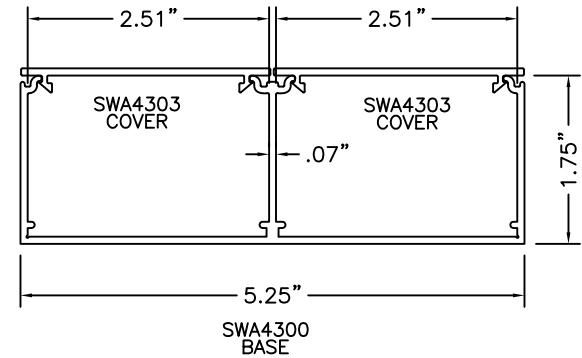


MONO-SYSTEMS, INC.

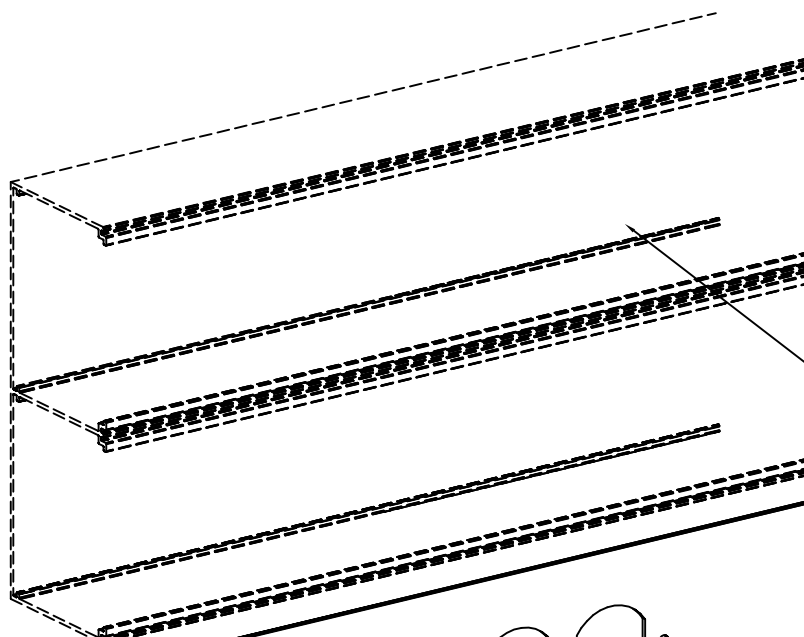
UNIQUE CABLE DISTRIBUTION SOLUTIONS
4 INTERNATIONAL DRIVE
RYE BROOK, NEW YORK 10573
PHONE: (914)-934-2075
FAX: (914)-934-2190

SnapWay™
SWA4300 Series

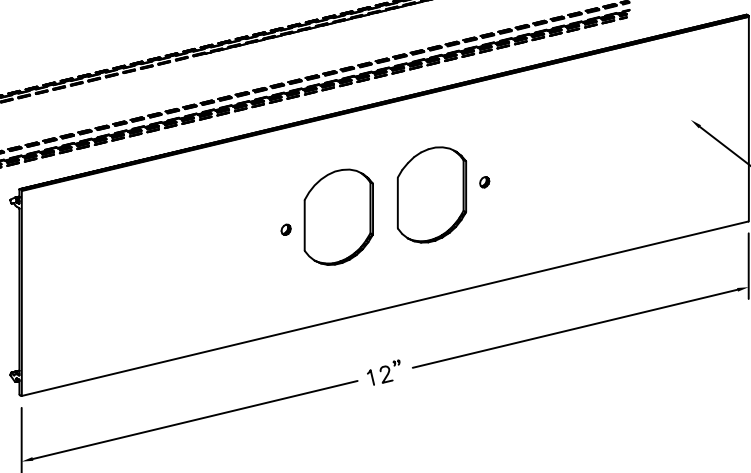
SWA4300 SERIES
SWA4346 – DUPLEX DEVICE PLATE



ALUMINUM RACEWAY
SECTION VIEW
SATIN ANODIZED FINISH
(EACH ORDERED SEPARATELY)



SWA4300 – BASE
(ORDERED SEPARATELY)

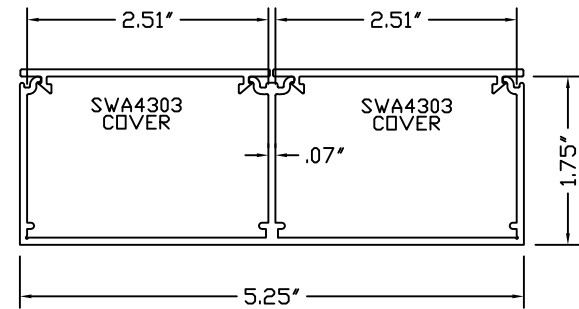
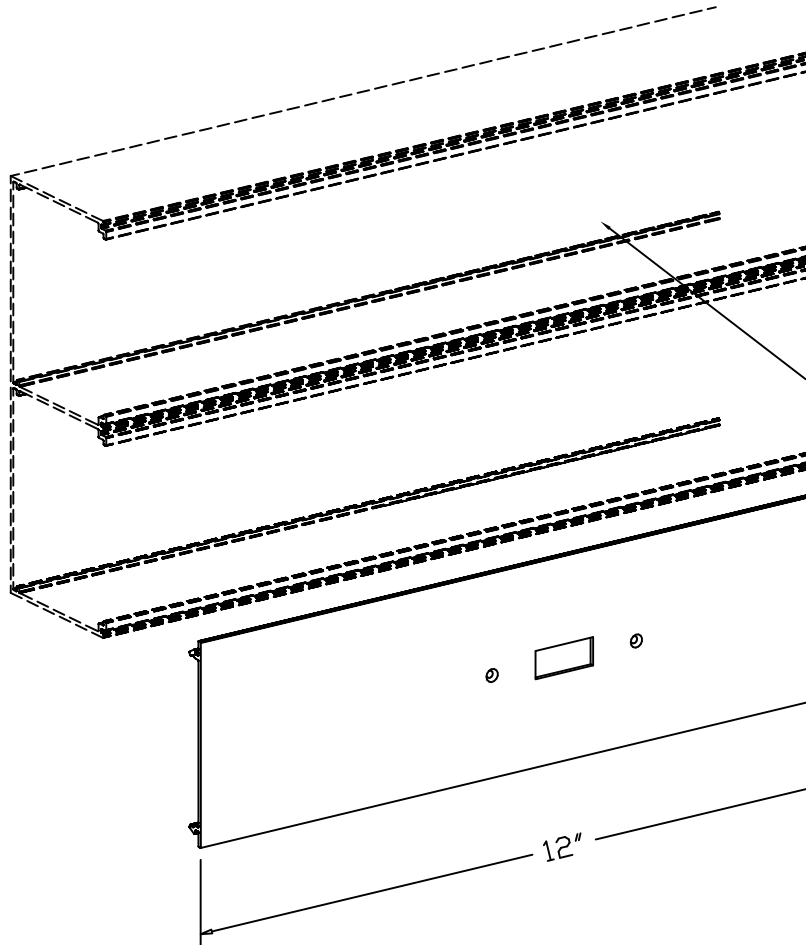


SWA4346 – DUPLEX DEVICE PLATE



SnapWay™
SWA4300 Series

SWA4300 SERIES
SWA4348 - SWITCH DEVICE PLATE



SWA4300 - BASE
(ORDERED SEPARATELY)

SWA4300 SERIES
ALUMINUM RACEWAY
SECTION VIEW
SATIN ANNOIDIZED FINISH
(EACH ORDERED SEPARATELY)

SWA4348 - SWITCH DEVICE PLATE
(HARDWARE PROVIDED)

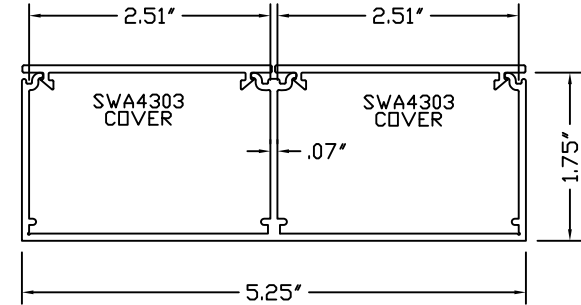


MONO-SYSTEMS, INC.

UNIQUE CABLE DISTRIBUTION SOLUTIONS
4 INTERNATIONAL DRIVE
RYE BROOK, NEW YORK 10573
PHONE: (914)-934-2075
FAX: (914)-934-2190

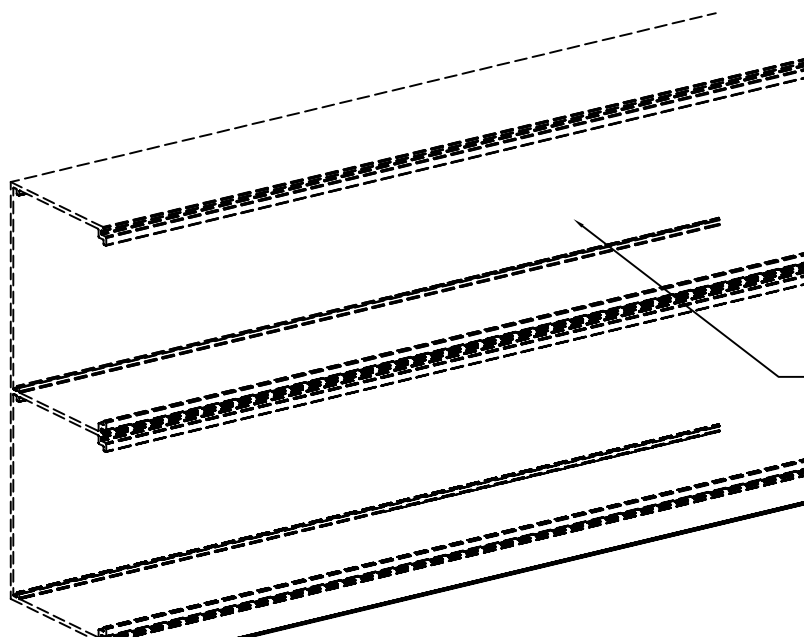
SnapWay™
SWA4300 Series

SWA4300 SERIES
SWA4353 - MOUSE HOLE PLATE

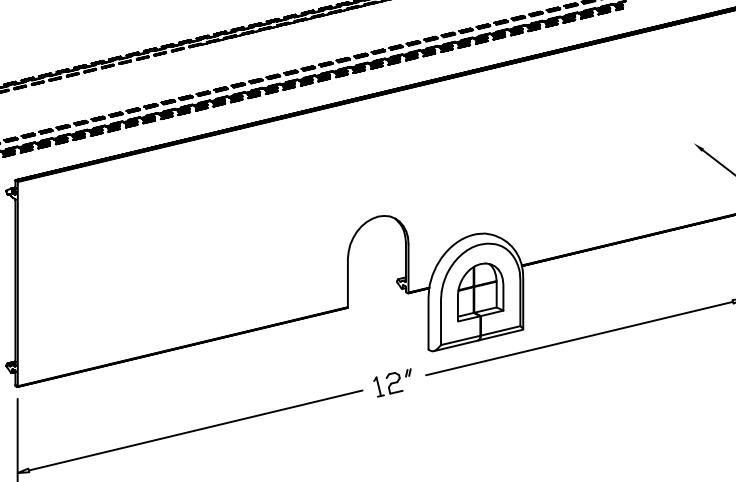


SWA4300
BASE

SWA4300 SERIES
ALUMINUM RACEWAY
SECTION VIEW
SATIN ANNOIDIZED FINISH
(EACH ORDERED SEPARATELY)



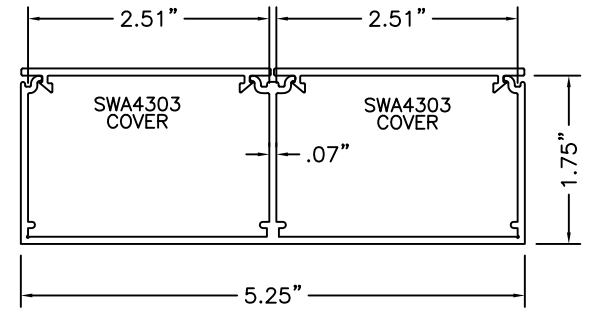
SWA4300 - BASE
(ORDERED SEPARATELY)



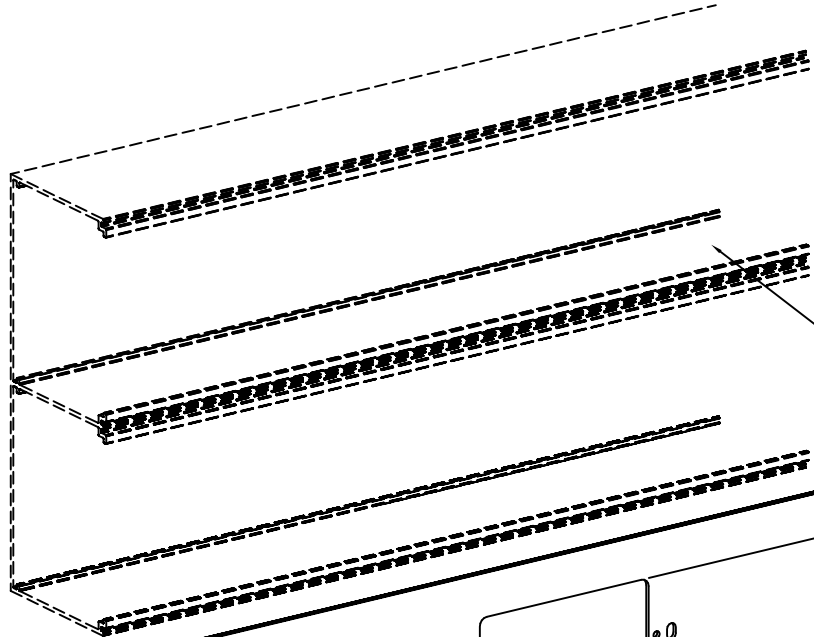
SWA4353 - MOUSE HOLE PLATE
(GROMMET PROVIDED)



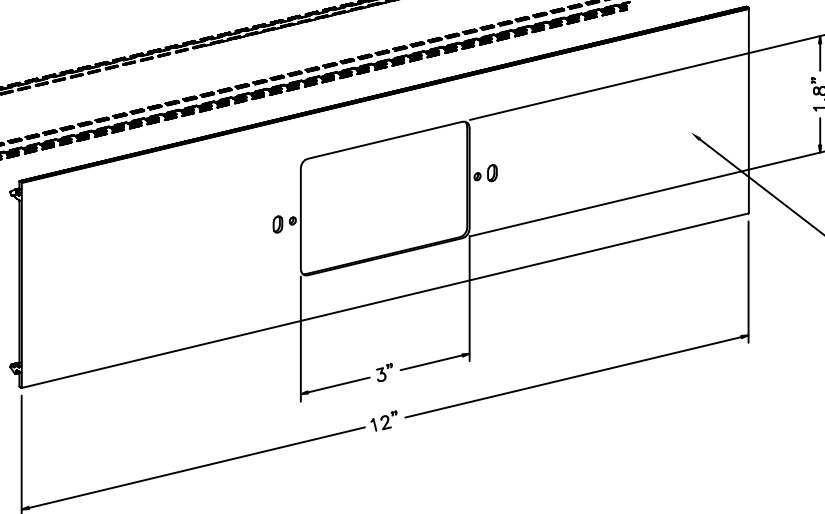
SnapWay™ SWA4300 SERIES
 SWA4300 Series SWA4357 – UNIVERSAL DEVICE PLATE



SWA4300
 BASE
 SWA4300 SERIES
 ALUMINUM RACEWAY
 SECTION VIEW
 SATIN ANNOIDIZED FINISH
 (EACH ORDERED SEPARATELY)



SWA4300 – BASE
 (ORDERED SEPARATELY)



SWA4357 – UNIVERSAL DEVICE PLATE

