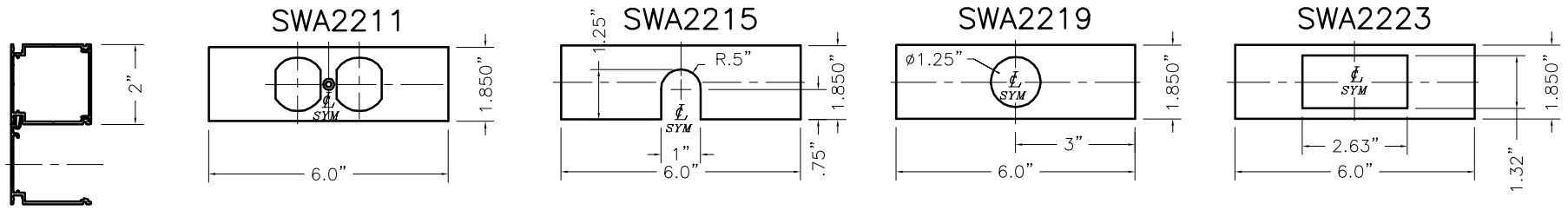
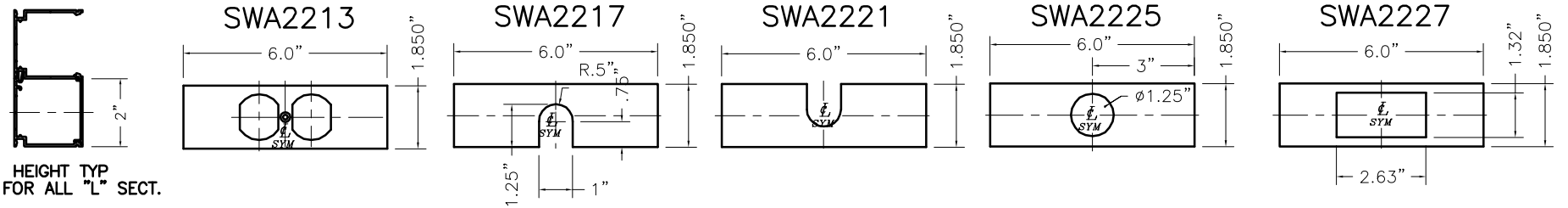


BASE SECTION COVERS



HEIGHT TYP
FOR ALL BASE SECT.

"L" SECTION COVERS



HEIGHT TYP
FOR ALL "L" SECT.

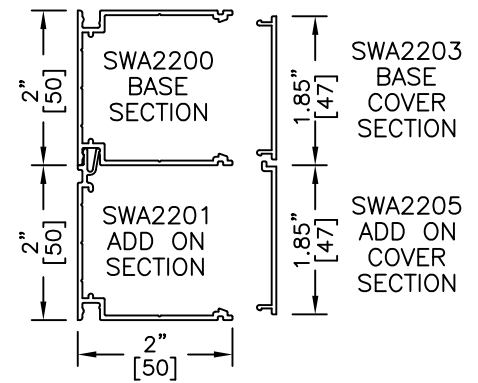


MONO-SYSTEMS, INC.
 SINGLE CABLE DISTRIBUTION SOLUTIONS
 4 INTERNATIONAL DRIVE
 RYE BROOK, NEW YORK 10573
 PHONE: (914)-934-2075
 FAX: (914)-934-2190

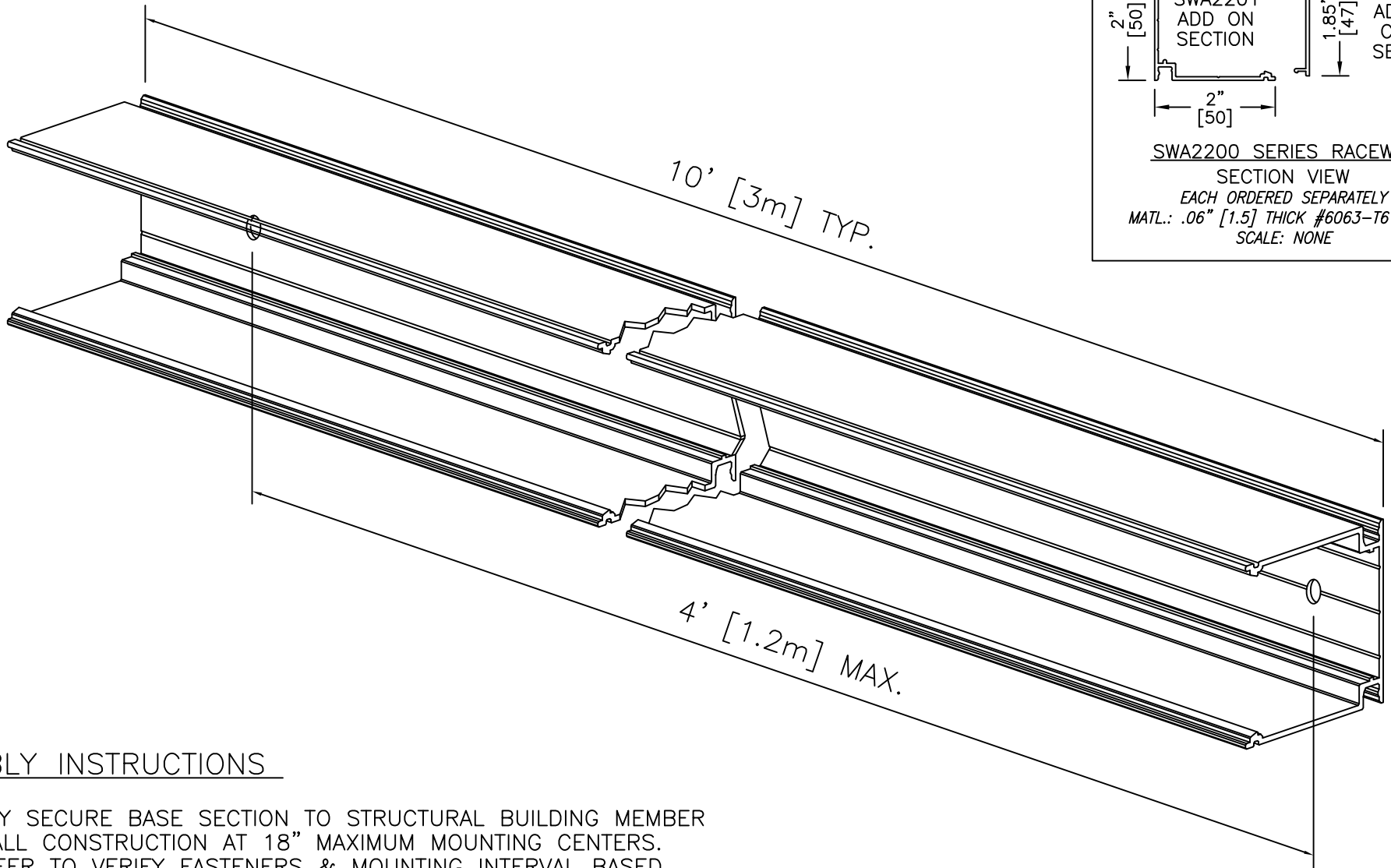
DO NOT SCALE DRAWING

SnapWay™

P/N: SWA2200
BASE SECTION — 10' [3m] STD. LENGTH
SCALE: NONE



SWA2200 SERIES RACEWAY
SECTION VIEW
EACH ORDERED SEPARATELY
MATL.: .06" [1.5] THICK #6063-T6 ALUM.
SCALE: NONE



ASSEMBLY INSTRUCTIONS

1. RIGIDLY SECURE BASE SECTION TO STRUCTURAL BUILDING MEMBER OR WALL CONSTRUCTION AT 18" MAXIMUM MOUNTING CENTERS. ENGINEER TO VERIFY FASTENERS & MOUNTING INTERVAL BASED ON MOUNTING SURFACE CONSTRUCTION. (HARDWARE BY OTHERS)



SnapWay™

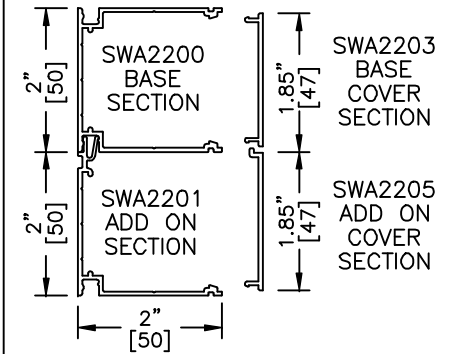
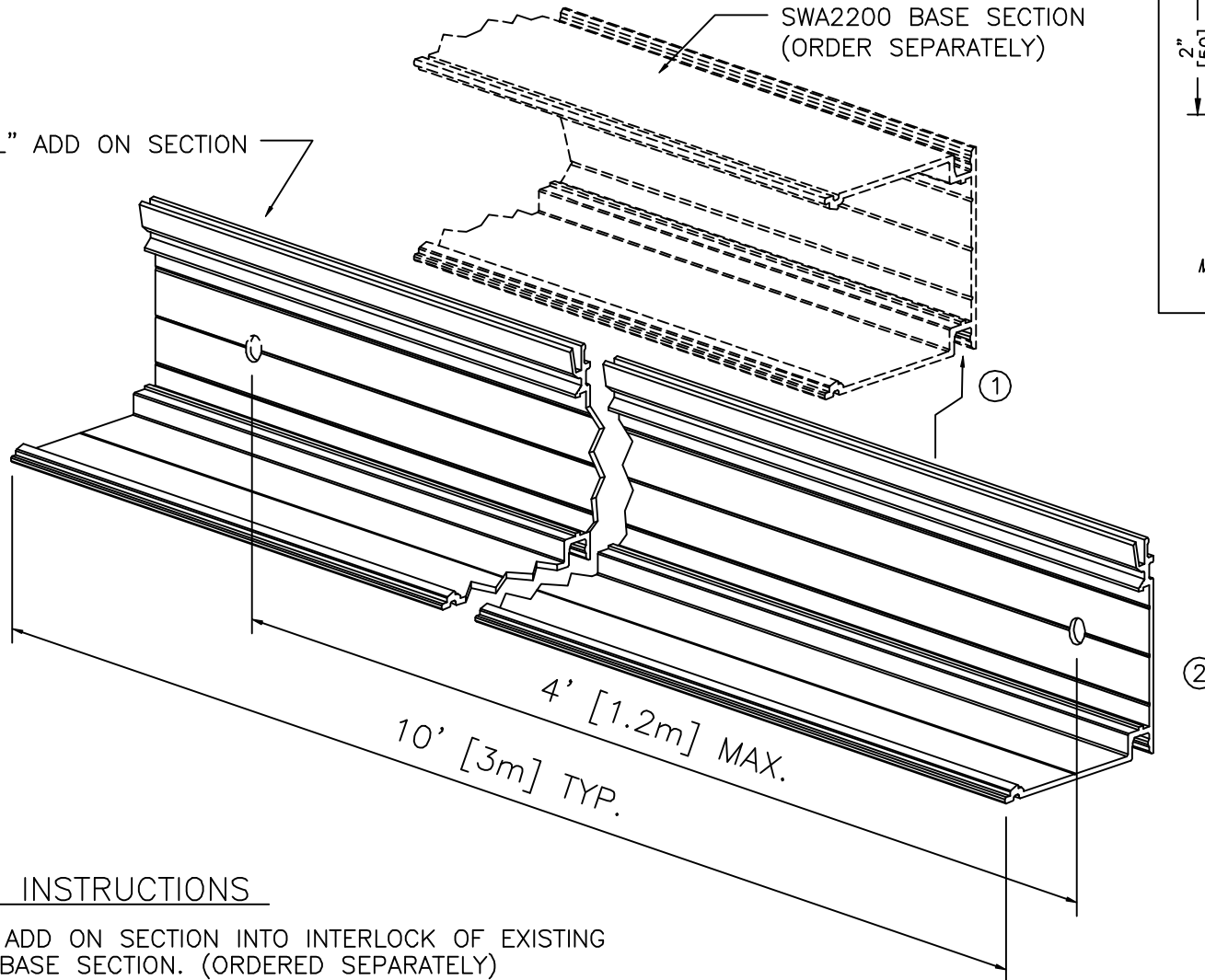
P/N: SWA2201

"L" ADD ON SECTION - 10' [3m] STD. LENGTH

SCALE: NONE

SWA2201 "L" ADD ON SECTION

SWA2200 BASE SECTION
(ORDER SEPARATELY)



SWA2200 SERIES RACEWAY

SECTION VIEW

EACH ORDERED SEPARATELY

MATL.: .06" [1.5] THICK #6063-T6 ALUM.

SCALE: NONE

ASSEMBLY INSTRUCTIONS

1. SNAP "L" ADD ON SECTION INTO INTERLOCK OF EXISTING SWA2200 BASE SECTION. (ORDERED SEPARATELY)
2. RIGIDLY SECURE "L" ADD ON SECTION TO STRUCTURAL BUILDING MEMBER OR WALL CONSTRUCTION AT NO MORE THAN 4' [1.2m] ON CENTER. (HARDWARE AND DRILLING OF MOUNTING HOLES BY OTHERS)

12/30/97 DOCUMENT REF. NO.: SWA2201A.DWG



MONO-SYSTEMS, INC.

UNIQUE CABLE DISTRIBUTION SOLUTIONS

4 INTERNATIONAL DRIVE

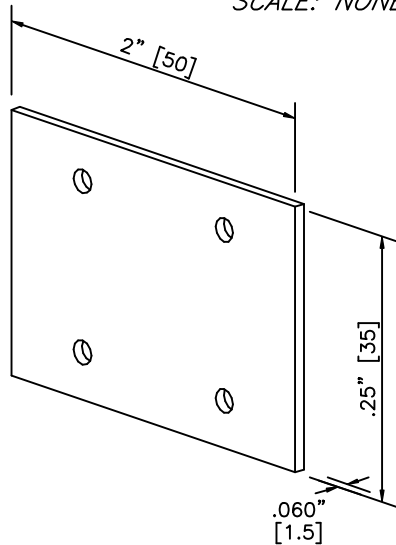
RYE BROOK, NEW YORK 10573

PHONE: (914)-934-2075

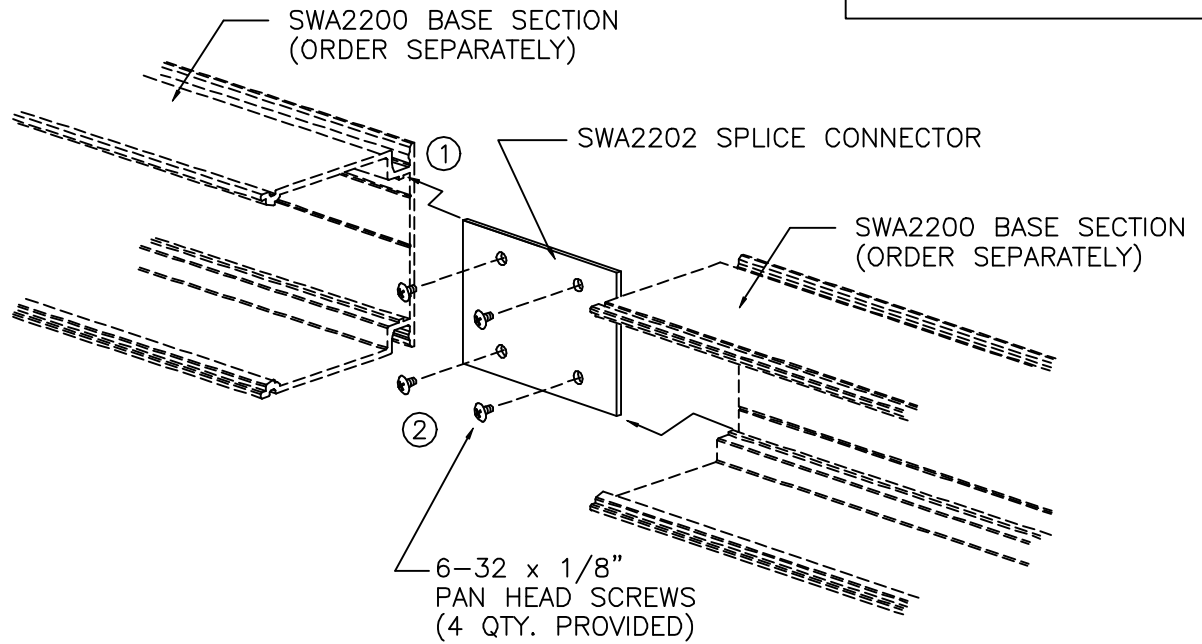
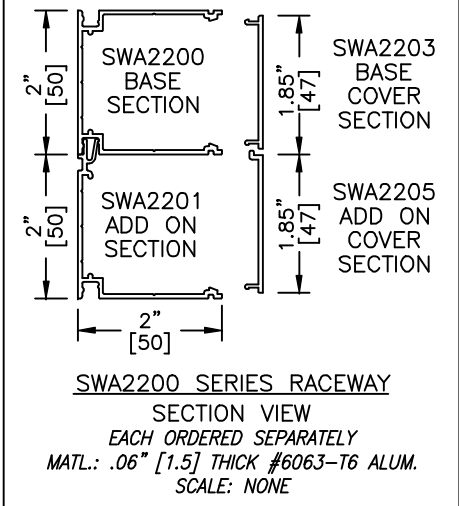
FAX: (914)-934-2190

SnapWay™

P/N: SWA2202
 SPLICE CONNECTOR
 SCALE: NONE



FOR JOINING SWA2200 BASE SECTIONS,
 OR SWA2201 "L" ADD ON SECTIONS.
 (EACH ORDERED SEPARATELY)



ASSEMBLY INSTRUCTIONS

1. INSERT SWA2202 COUPLING INTO SWA2200 BASE SECTIONS TO BE JOINED.
 (OR SWA2201 "L" ADD ON SECTION WHICHEVER APPLIES)
2. SECURE USING FOUR 6-32 x 1/8" SCREWS. (PROVIDED)

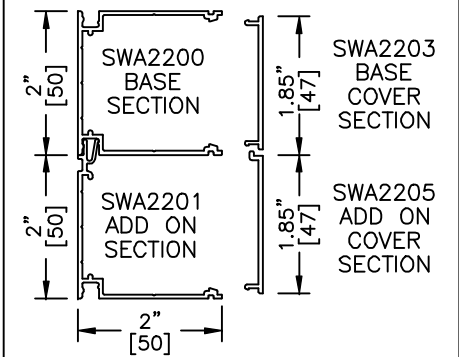
12/30/97 DOCUMENT REF. NO.: SWA2202A.DWG



MONO-SYSTEMS, INC.
 UNIQUE CABLE DISTRIBUTION SOLUTIONS
 4 INTERNATIONAL DRIVE
 RYE BROOK, NEW YORK 10573
 PHONE: (914)-934-2075
 FAX: (914)-934-2190

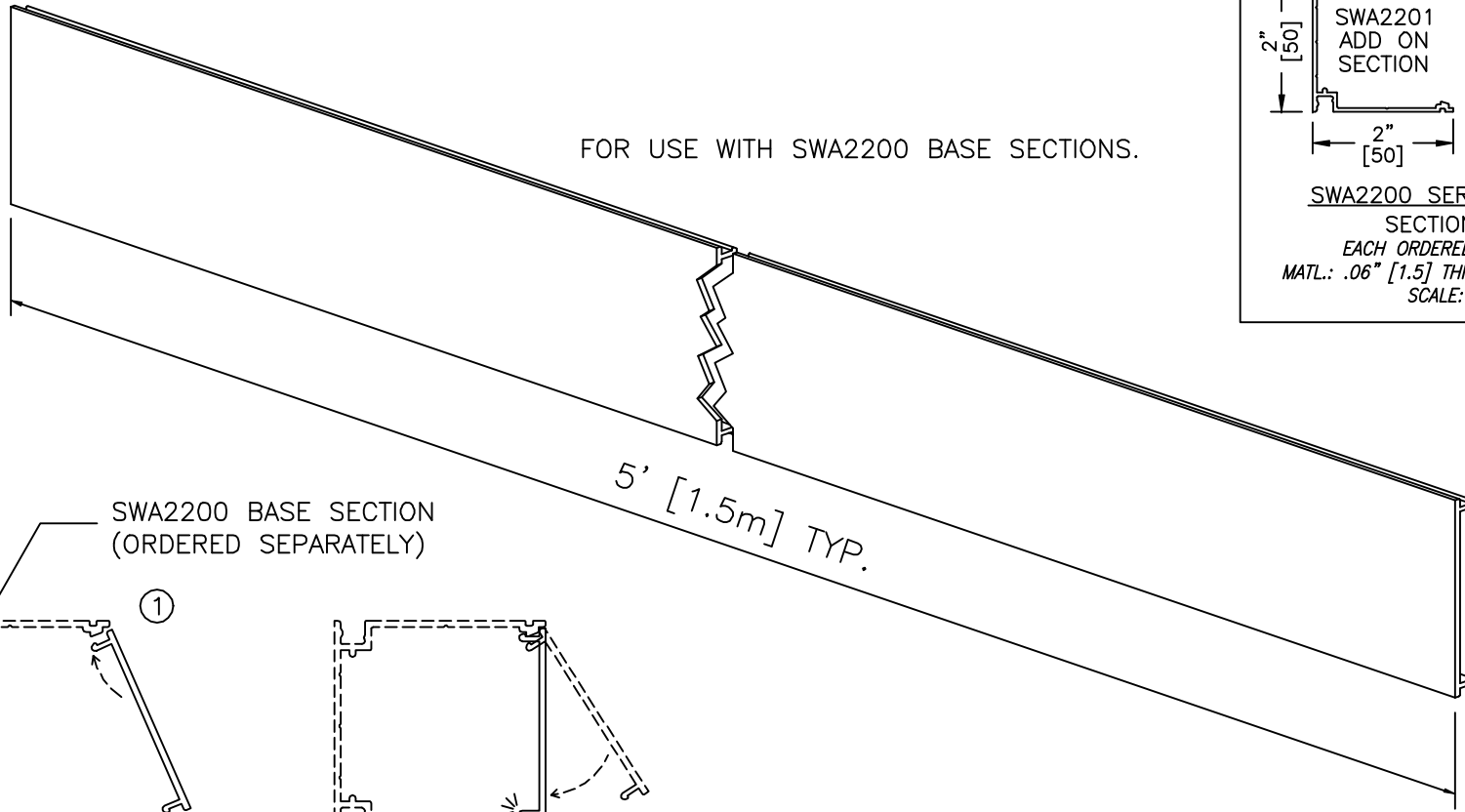
SnapWay™

P/N: SWA2203
BASE COVER SECTION – 5' STD. LENGTH
SCALE: NONE

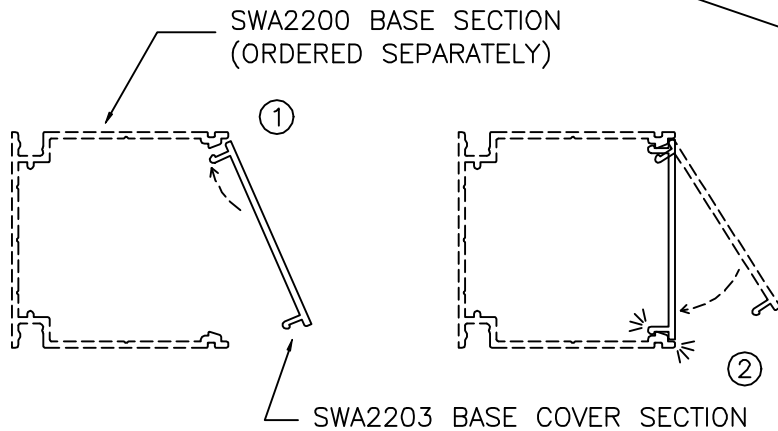


SWA2200 SERIES RACEWAY
SECTION VIEW
EACH ORDERED SEPARATELY
MATL.: .06" [1.5] THICK #6063-T6 ALUM.
SCALE: NONE

FOR USE WITH SWA2200 BASE SECTIONS.



5' [1.5m] TYP.



ASSEMBLY INSTRUCTIONS

1. INSERT ONE LEG OF SWA2203 COVER ON TO INTERLOCK TAB OF BASE SECTION.
2. FIRMLY PRESS COVER SO THAT OTHER LEG SNAPS SECURELY INTO OTHER INTERLOCK.

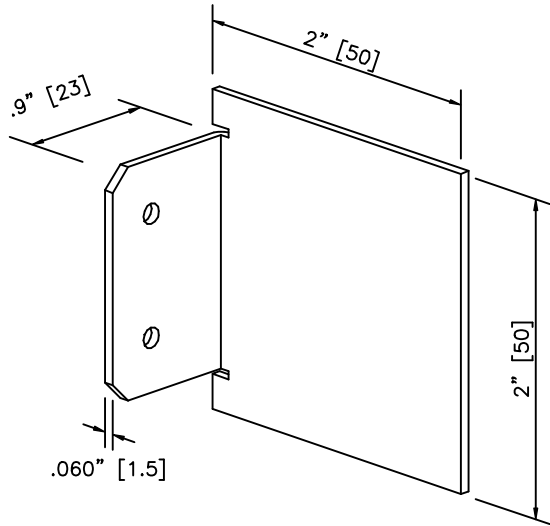
12/30/97 DOCUMENT REF. NO.: SWA2203A.DWG



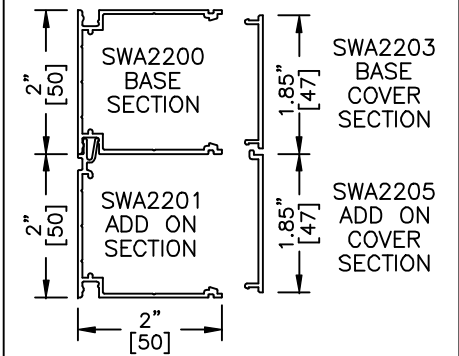
MONO-SYSTEMS, INC.
UNIQUE CABLE DISTRIBUTION SOLUTIONS
4 INTERNATIONAL DRIVE
RYE BROOK, NEW YORK 10573
PHONE: (914)-934-2075
FAX: (914)-934-2190

SnapWay™

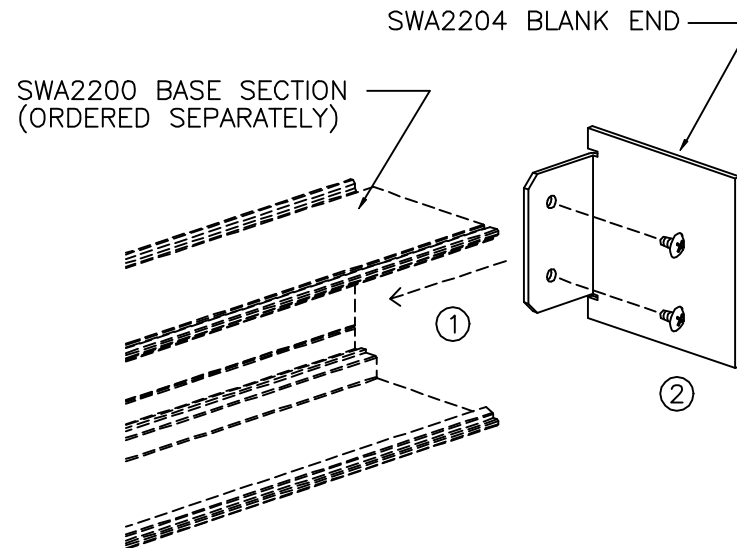
P/N: SWA2204
BLANK END
SCALE: NONE



FOR USE WITH SWA2200 BASE SECTIONS,
OR SWA2201 'L' ADD ON SECTIONS.
(EACH ORDERED SEPARATELY)



SWA2200 SERIES RACEWAY
SECTION VIEW
EACH ORDERED SEPARATELY
MATL.: .06" [1.5] THICK #6063-T6 ALUM.
SCALE: NONE



ASSEMBLY INSTRUCTIONS

1. INSERT BLANK END FULLY INTO SWA2200 BASE SECTION.
(OR SWA2201 "L" ADD ON SECTION WHICHEVER APPLIES)
2. SECURE USING TWO 6/32 x 1/8" SCREWS. (PROVIDED)

12/30/97 DOCUMENT REF. NO.: SWA2204A.DWG



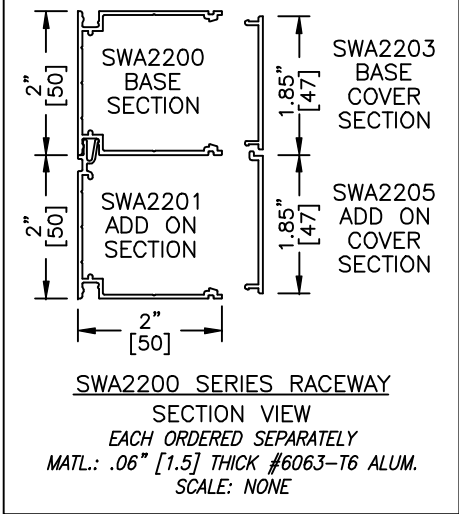
MONO-SYSTEMS, INC.
UNIQUE CABLE DISTRIBUTION SOLUTIONS
4 INTERNATIONAL DRIVE
RYE BROOK, NEW YORK 10573
PHONE: (914)-934-2075
FAX: (914)-934-2190

SnapWay™

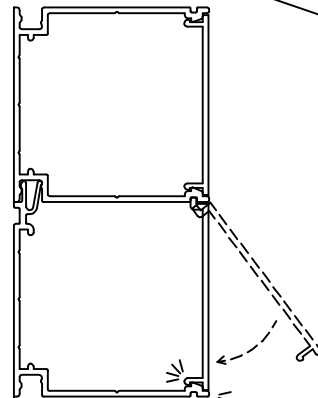
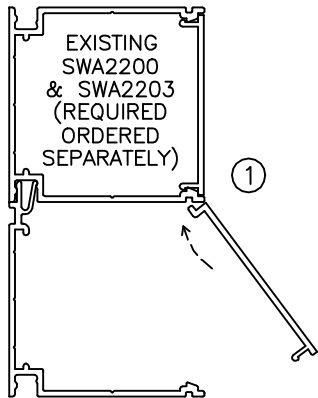
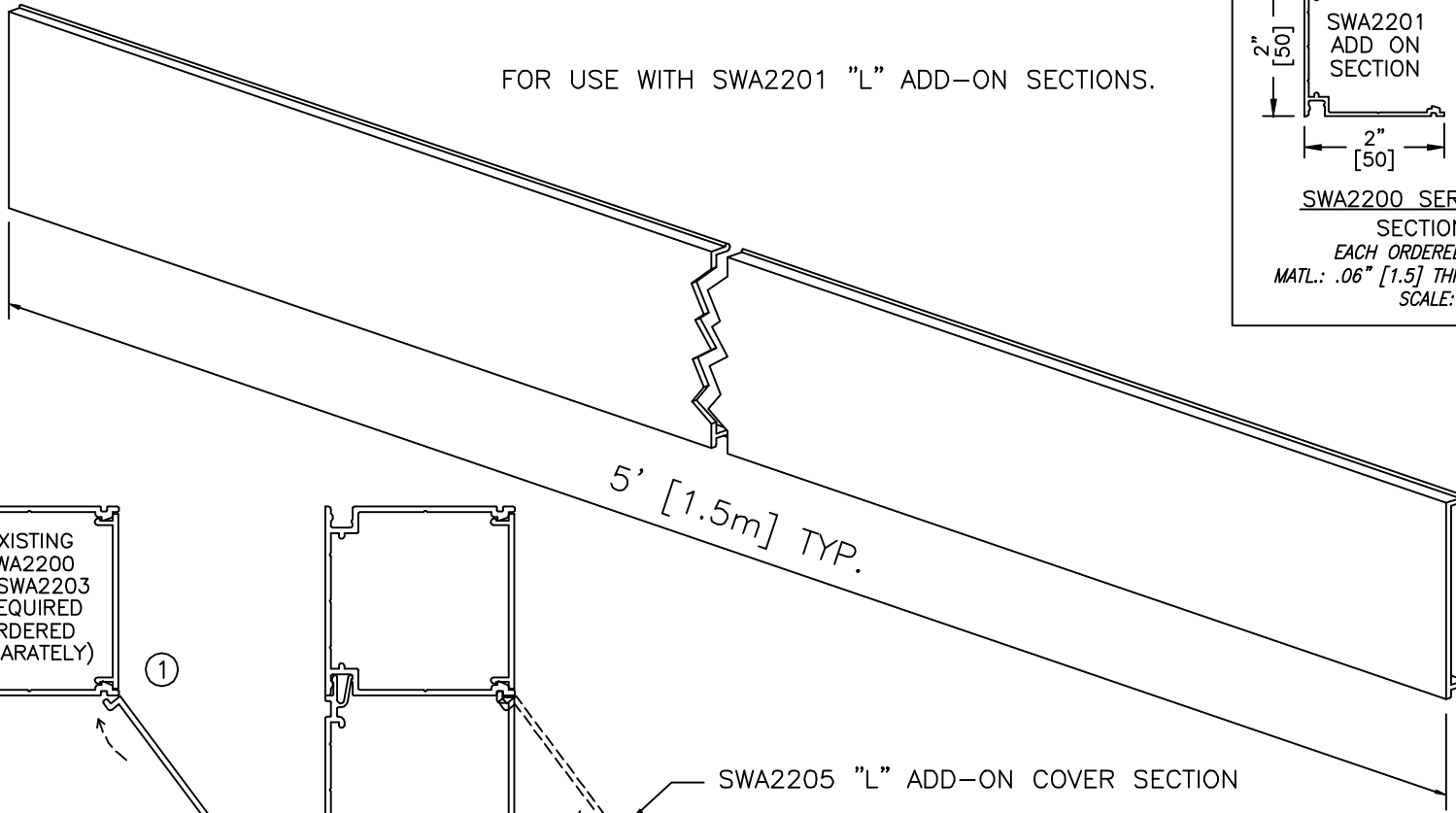
P/N: SWA2205

"L" ADD-ON COVER SECTION – 5' STD. LENGTH

SCALE: NONE



FOR USE WITH SWA2201 "L" ADD-ON SECTIONS.



SWA2201 "L" ADD ON SECTION (ORDERED SEPARATELY)

ASSEMBLY INSTRUCTIONS

1. INSERT ONE LEG OF SWA2205 COVER ON TO INTERLOCK TAB OF "L" ADD-ON SECTION.
2. FIRMLY PRESS COVER SO THAT OTHER LEG SNAPS SECURELY INTO OTHER INTERLOCK.

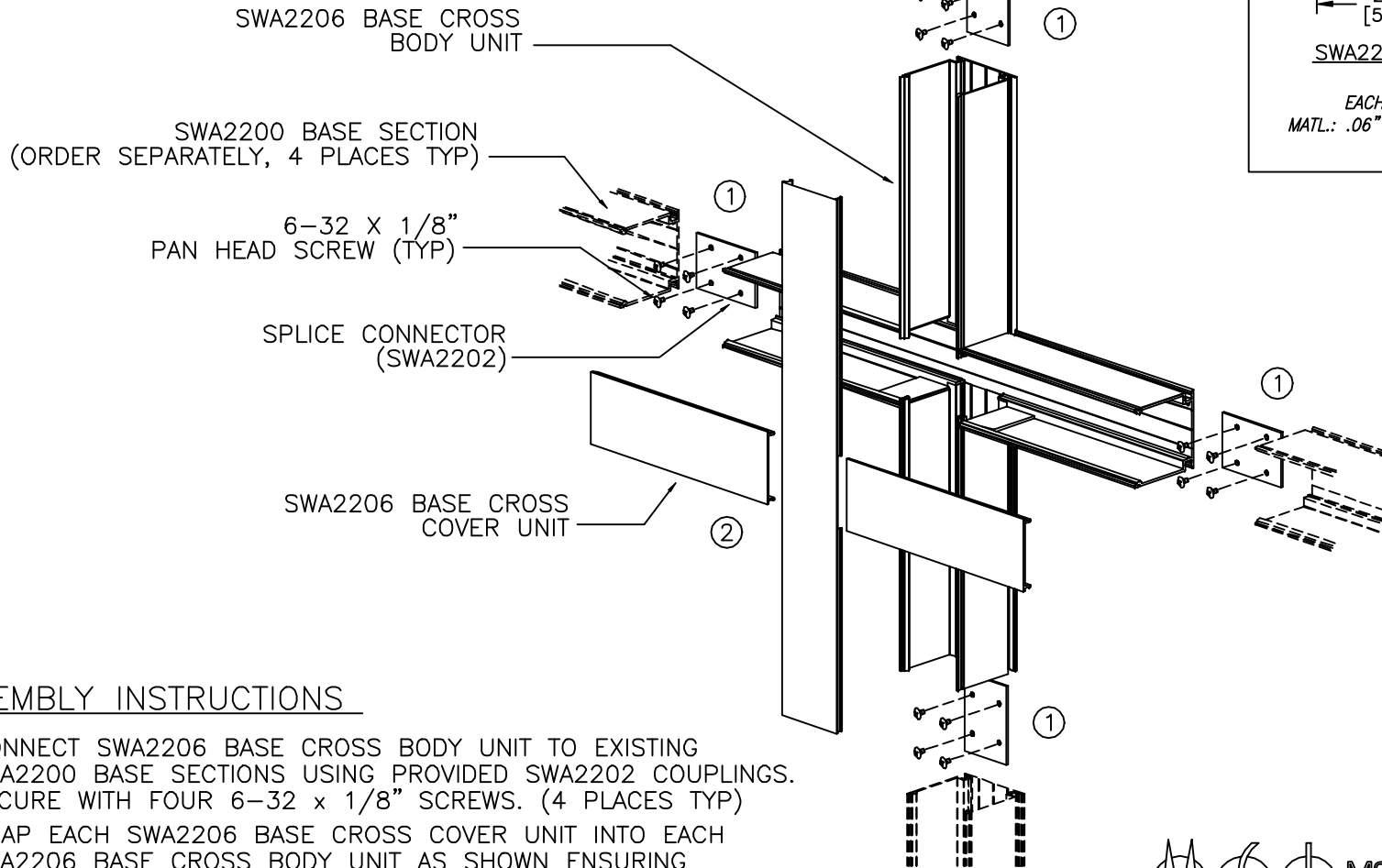
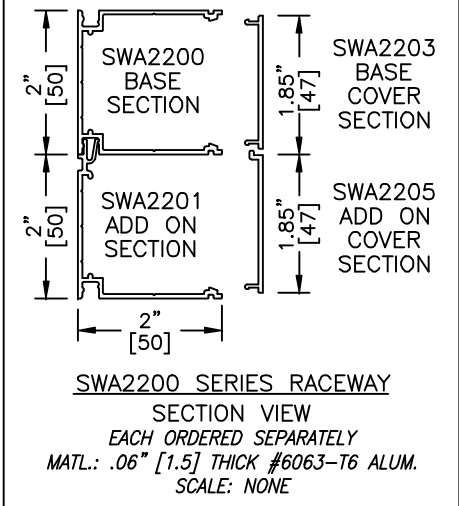
12/30/97 DOCUMENT REF. NO.: SWA2205A.DWG



MONO-SYSTEMS, INC.
UNIQUE CABLE DISTRIBUTION SOLUTIONS
4 INTERNATIONAL DRIVE
RYE BROOK, NEW YORK 10573
PHONE: (914)-934-2075
FAX: (914)-934-2190

SnapWay™

P/N: SWA2206
 BASE CROSS
 SCALE: NONE



ASSEMBLY INSTRUCTIONS

1. CONNECT SWA2206 BASE CROSS BODY UNIT TO EXISTING SWA2200 BASE SECTIONS USING PROVIDED SWA2202 COUPLINGS. SECURE WITH FOUR 6-32 x 1/8" SCREWS. (4 PLACES TYP)
2. SNAP EACH SWA2206 BASE CROSS COVER UNIT INTO EACH SWA2206 BASE CROSS BODY UNIT AS SHOWN ENSURING THE SECURE FIT OF EACH COVER LEG INTO EACH CROSS BODY UNIT INTERLOCK. (3 PLACES TYP)

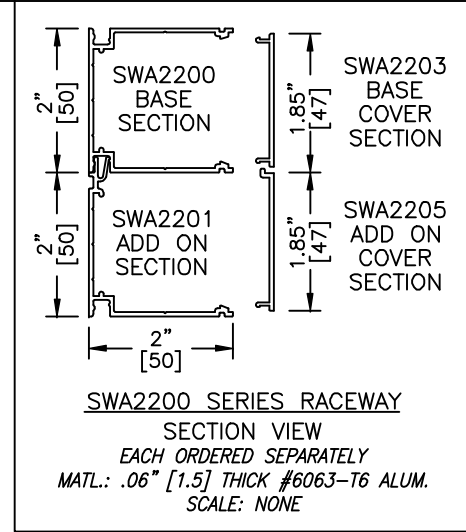
12/30/97 DOCUMENT REF. NO.: SWA2206A.DWG



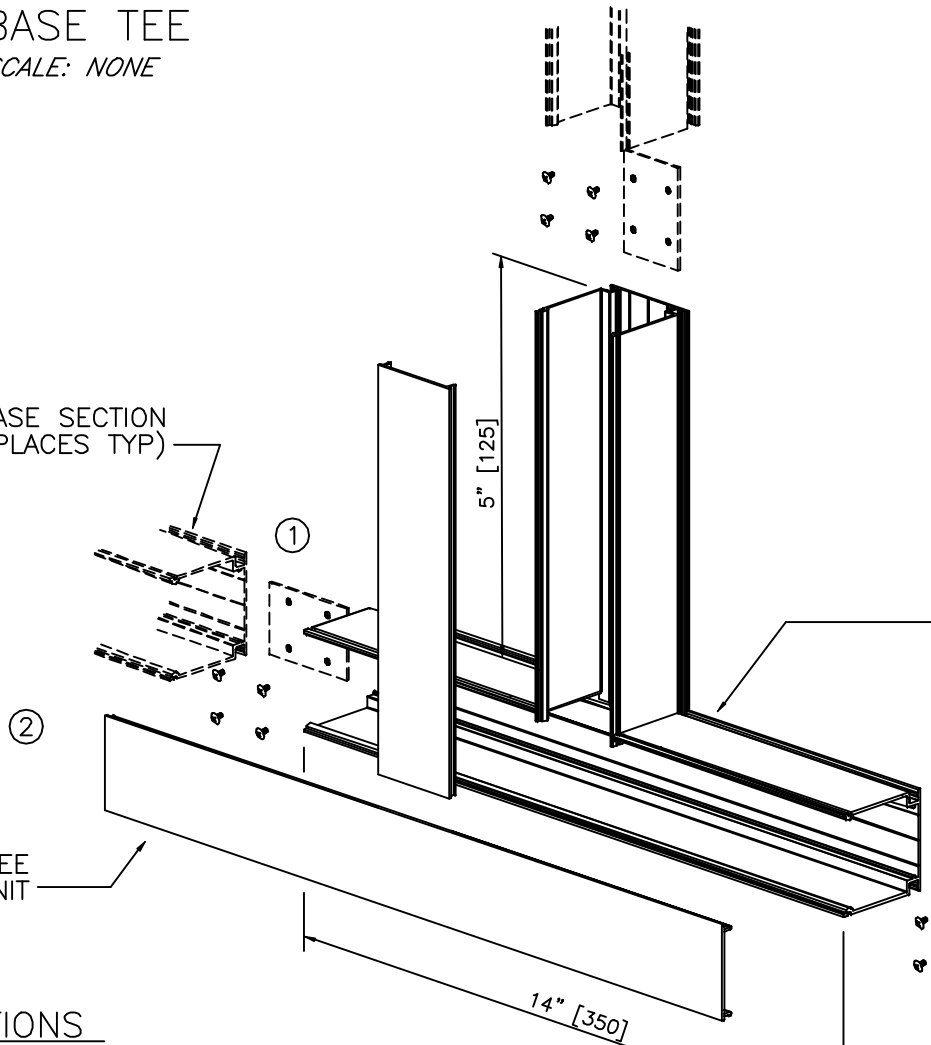
MONO-SYSTEMS, INC.
 UNIQUE CABLE DISTRIBUTION SOLUTIONS
 4 INTERNATIONAL DRIVE
 RYE BROOK, NEW YORK 10573
 PHONE: (914)-934-2075
 FAX: (914)-934-2190

SnapWay™

SWA2210
BASE TEE
SCALE: NONE



SWA2200 BASE SECTION
(ORDER SEPARATELY, 3 PLACES TYP)



SWA2210 BASE TEE
BODY UNIT

SWA2210 BASE TEE
COVER UNIT

SPLICE CONNECTOR
(SWA2202)

6-32 X 1/8"
PAN HEAD SCREW (TYP)

ASSEMBLY INSTRUCTIONS

1. CONNECT SWA2210 BASE TEE BODY UNIT TO EXISTING SWA2200 BASE SECTIONS USING PROVIDED SWA2202 COUPLINGS. SECURE WITH FOUR 6-32 x 1/8" SCREWS. (3 PLACES TYP)
2. SNAP EACH SWA2210 BASE TEE COVER UNIT INTO EACH SWA2210 BASE TEE BODY UNIT AS SHOWN ENSURING THE SECURE FIT OF EACH COVER LEG INTO EACH CROSS BODY UNIT INTERLOCK. (2 PLACES TYP)



MONO-SYSTEMS, INC.
UNIQUE CABLE DISTRIBUTION SOLUTIONS
4 INTERNATIONAL DRIVE
RYE BROOK, NEW YORK 10573
PHONE: (914)-934-2075
FAX: (914)-934-2190

SnapWay™

SWA2212 "L" ADD-ON TEE SCALE: NONE

SWA2200 BASE SECTION
(ORDER SEPARATELY)

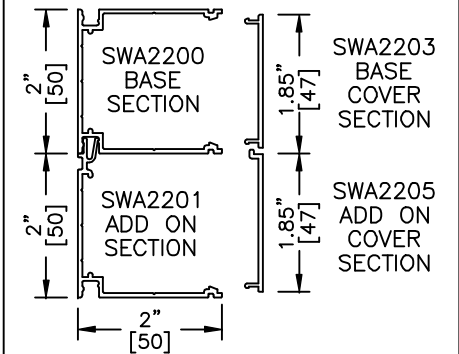
SWA2201 "L" ADD-ON SECTION
(ORDER SEPARATELY, 2 PLACES TYP)

SWA2212 "L" ADD ON TEE
COVER UNIT

SWA2212 "L" ADD-ON TEE
BODY UNIT

SPLICE CONNECTOR
(SWA2202)

6-32 X 1/8"
PAN HEAD SCREW (TYP)



SWA2200 SERIES RACEWAY

SECTION VIEW

EACH ORDERED SEPARATELY

MATL.: .06" [1.5] THICK #6063-T6 ALUM.

SCALE: NONE

ASSEMBLY INSTRUCTIONS

1. CONNECT SWA2212 "L" ADD-ON TEE BODY UNIT TO EXISTING SWA2200 BASE SECTION AND SWA2201 "L" ADD-ON SECTIONS USING PROVIDED SWA2202 COUPLINGS. SECURE WITH FOUR 6-32 x 1/8" SCREWS. (3 PLACES TYP)
2. SNAP EACH SWA2212 "L" ADD-ON BASE TEE COVER UNIT INTO EACH SWA2212 "L" ADD-ON TEE BODY UNIT AS SHOWN ENSURING THE SECURE FIT OF EACH COVER LEG INTO EACH TEE BODY UNIT INTERLOCK. (2 PLACES TYP)

12/30/97 DOCUMENT REF. NO.: SWA2212A.DWG



MONO-SYSTEMS, INC.

UNIQUE CABLE DISTRIBUTION SOLUTIONS

4 INTERNATIONAL DRIVE

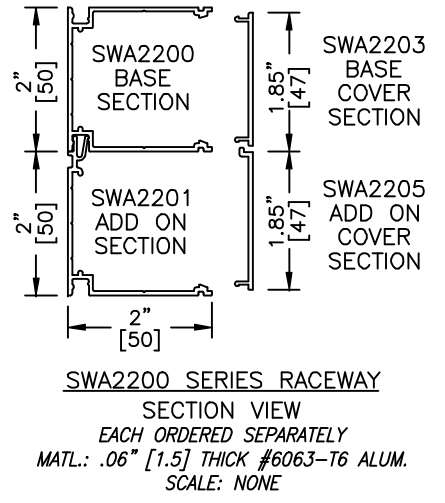
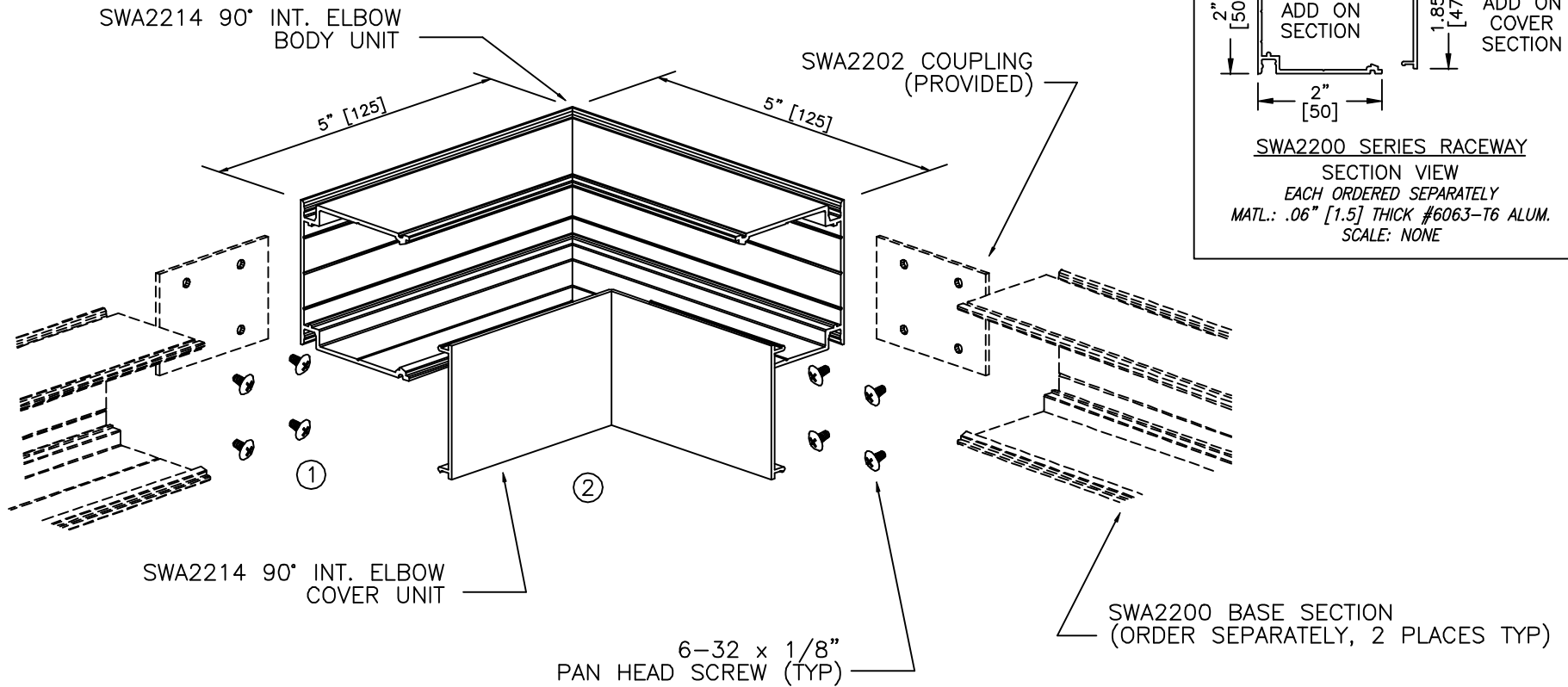
RYE BROOK, NEW YORK 10573

PHONE: (914)-934-2075

FAX: (914)-934-2190

SnapWay™

P/N: SWA2214
 BASE HORIZONTAL INTERNAL 90° ELBOW
 SCALE: NONE



ASSEMBLY INSTRUCTIONS

1. CONNECT SWA2214 BASE HORIZONTAL INTERNAL 90° ELBOW BODY UNIT TO EXISTING SWA2200 BASE SECTIONS USING PROVIDED SWA2202 COUPLINGS. SECURE WITH FOUR 6-32 x 1/8" SCREWS. (2 PLACES TYP)
2. SNAP SWA2214 BASE HORIZONTAL 90° INTERNAL ELBOW COVER UNIT INTO EACH SWA2214 BASE HORIZONTAL INTERNAL 90° ELBOW BODY UNIT AS SHOWN ENSURING THE SECURE FIT OF EACH COVER LEG INTO EACH BODY UNIT INTERLOCK. (2 PLACES TYP)



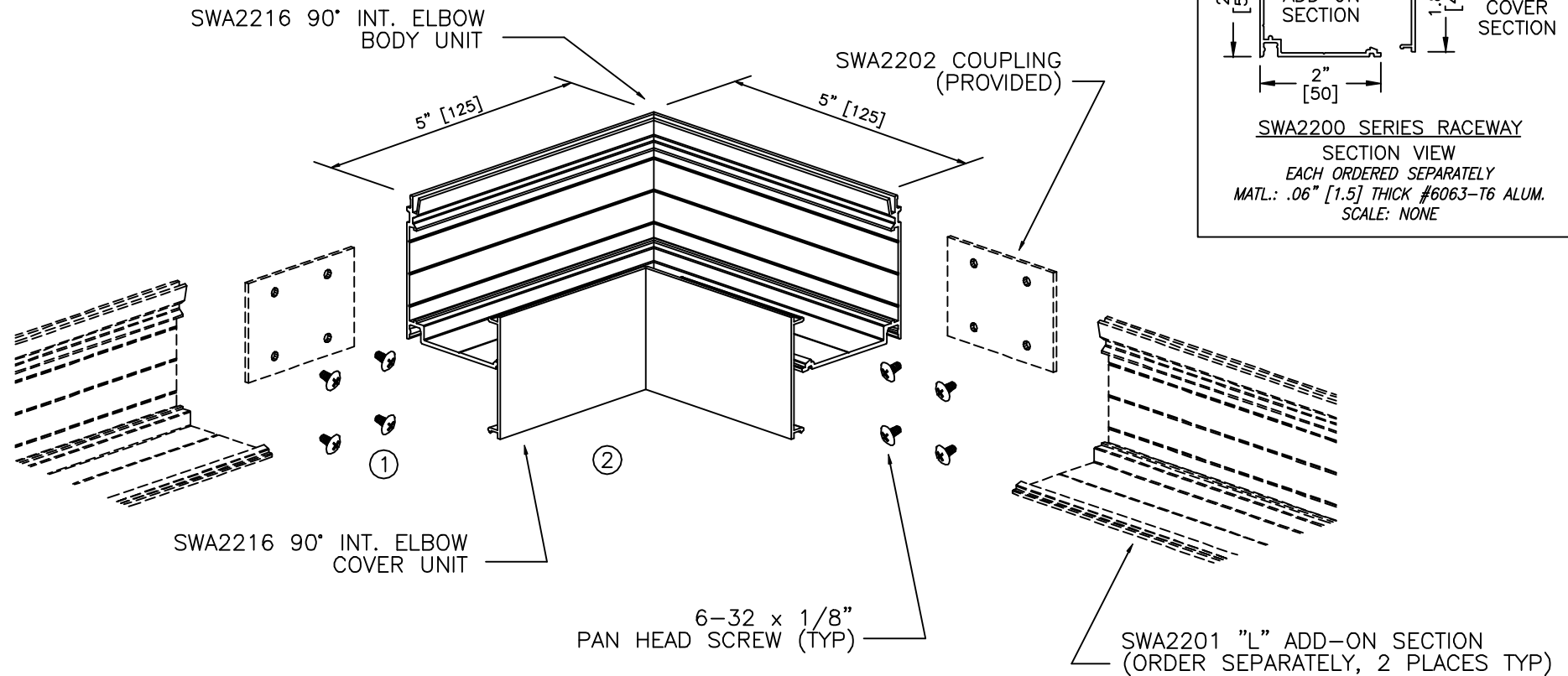
MONO-SYSTEMS, INC.
 UNIQUE CABLE DISTRIBUTION SOLUTIONS
 4 INTERNATIONAL DRIVE
 RYE BROOK, NEW YORK 10573
 PHONE: (914)-934-2075
 FAX: (914)-934-2190

SnapWay™

P/N: SWA2216

"L" ADD-ON HORIZONTAL INTERNAL 90° ELBOW

SCALE: NONE



ASSEMBLY INSTRUCTIONS

1. CONNECT SWA2216 "L" ADD- ON HORIZONTAL INTERNAL 90° ELBOW BODY UNIT TO EXISTING SWA2201 "L" ADD-ON SECTIONS USING PROVIDED SWA2202 COUPLINGS. SECURE WITH FOUR 6-32 x 1/8" SCREWS. (2 PLACES TYP)
2. SNAP SWA2216 "L" ADD-ON HORIZONTAL 90° INTERNAL ELBOW COVER UNIT INTO EACH SWA2216 "L" ADD-ON HORIZONTAL INTERNAL 90° ELBOW BODY UNIT AS SHOWN ENSURING THE SECURE FIT OF EACH COVER LEG INTO EACH BODY UNIT INTERLOCK. (2 PLACES TYP)

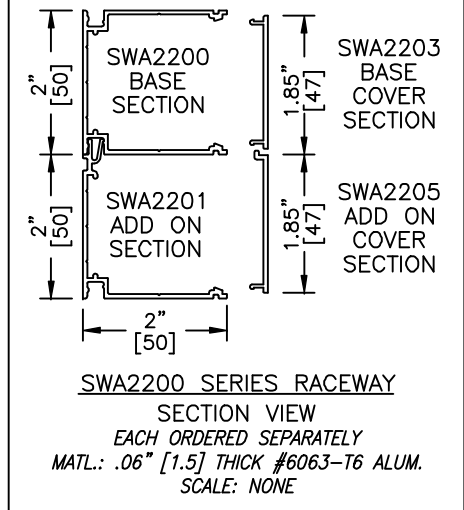
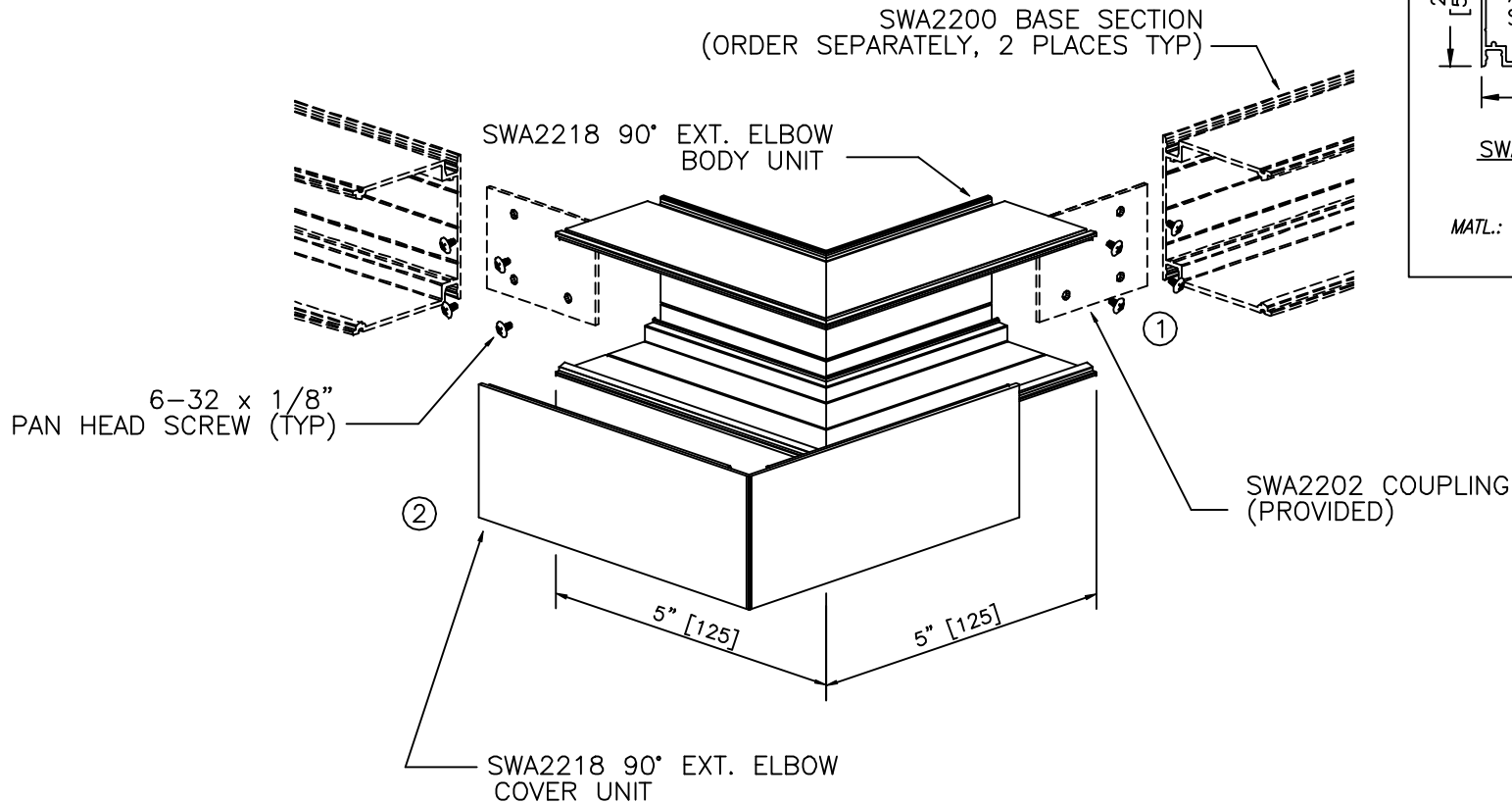


MONO-SYSTEMS, INC.

UNIQUE CABLE DISTRIBUTION SOLUTIONS
 4 INTERNATIONAL DRIVE
 RYE BROOK, NEW YORK 10573
 PHONE: (914)-934-2075
 FAX: (914)-934-2190

SnapWay™

P/N: SWA2218
 BASE HORIZONTAL EXTERNAL 90° ELBOW
 SCALE: NONE



ASSEMBLY INSTRUCTIONS

1. CONNECT SWA2218 BASE HORIZONTAL EXTERNAL 90° ELOBW BODY UNIT TO EXISTING SWA2200 BASE SECTIONS USING PROVIDED SWA2202 COUPLINGS. SECURE WITH FOUR 6-32 x 1/8" SCREWS. (2 PLACES TYP)
2. SNAP SWA2218 BASE HORIZONTAL 90° EXTERNAL ELBOW COVER UNIT INTO SWA2218 BASE HORIZONTAL EXTERNAL 90° ELBOW BODY UNIT AS SHOWN ENSURING THE SECURE FIT OF EACH COVER LEG INTO EACH BODY UNIT INTERLOCK.



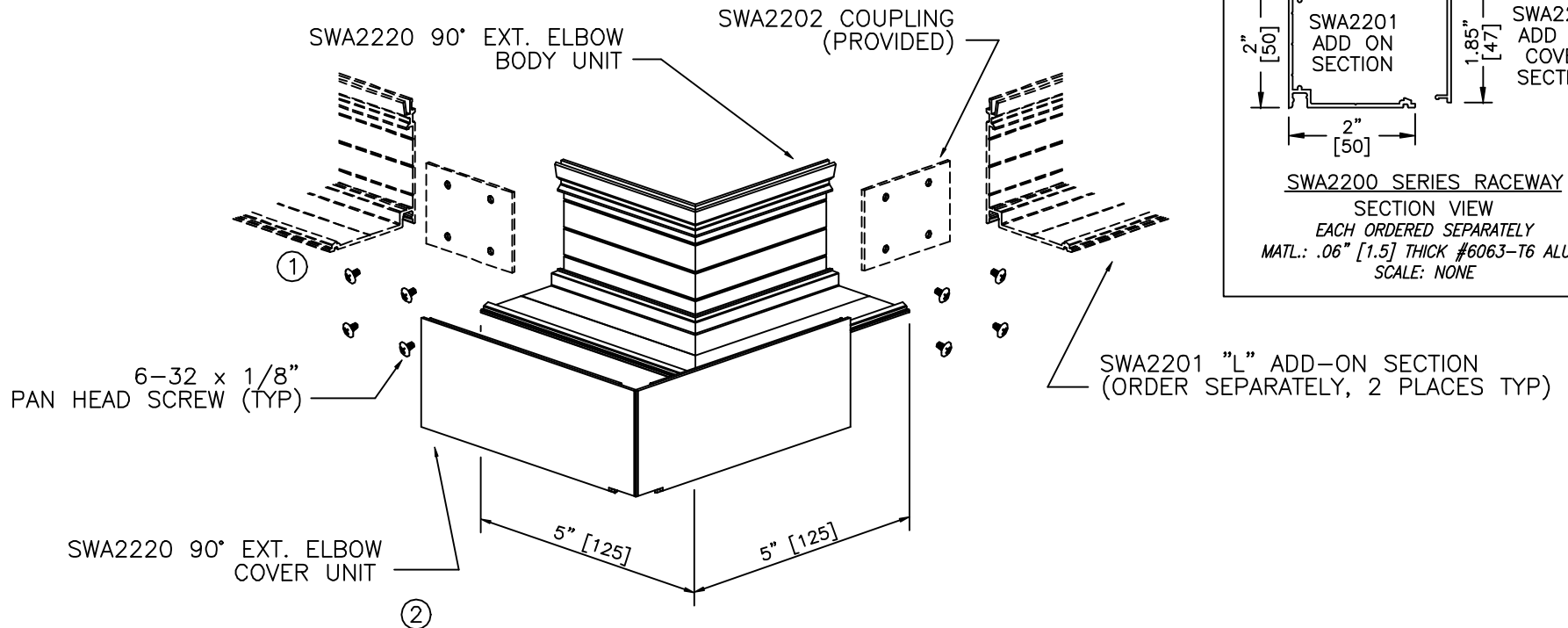
MONO-SYSTEMS, INC.
 UNIQUE CABLE DISTRIBUTION SOLUTIONS
 4 INTERNATIONAL DRIVE
 RYE BROOK, NEW YORK 10573
 PHONE: (914)-934-2075
 FAX: (914)-934-2190

SnapWay™

P/N: SWA2220

"L" ADD-ON HORIZONTAL EXTERNAL 90° ELBOW

SCALE: NONE



ASSEMBLY INSTRUCTIONS

1. CONNECT SWA2220 "L" ADD-ON HORIZONTAL EXTERNAL 90° ELOBW BODY UNIT TO EXISTING SWA2201 "L" ADD-ON SECTIONS USING PROVIDED SWA2202 COUPLINGS. SECURE WITH FOUR 6-32 x 1/8" SCREWS. (2 PLACES TYP)
2. SNAP SWA2220 "L" ADD-ON HORIZONTAL 90° EXTERNAL ELBOW COVER UNIT INTO EACH SWA2220 "L" ADD-ON HORIZONTAL EXTERNAL 90° ELBOW BODY UNIT AS SHOWN ENSURING THE SECURE FIT OF EACH COVER LEG INTO EACH BODY UNIT INTERLOCK. (2 PLACES TYP)

12/30/97 DOCUMENT REF. NO.: SWA2220A.DWG



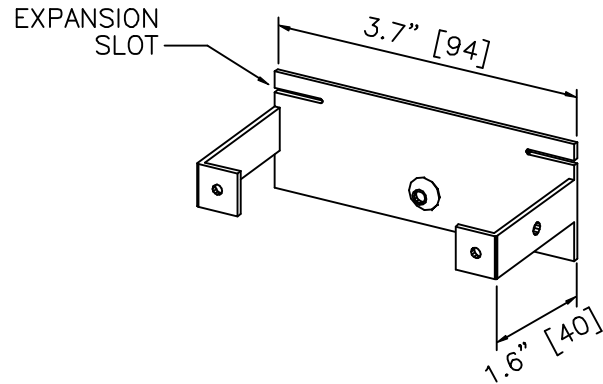
MONO-SYSTEMS, INC.

UNIQUE CABLE DISTRIBUTION SOLUTIONS
4 INTERNATIONAL DRIVE
RYE BROOK, NEW YORK 10573
PHONE: (914)-934-2075
FAX: (914)-934-2190

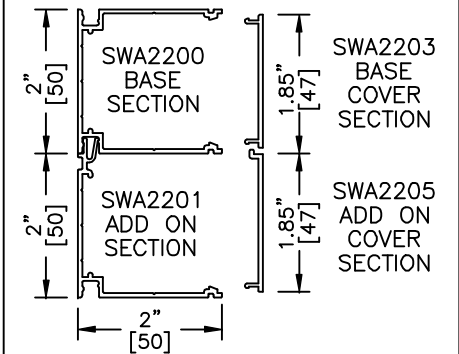
SnapWay™

P/N: SWA2222 DEVICE MOUNTING BRACKET

SCALE: NONE



FOR USE WITH INSTALLATION OF ALL DEVICES THROUGHOUT ALL SNAPWAY RACEWAY SYSTEM APPLICATIONS.



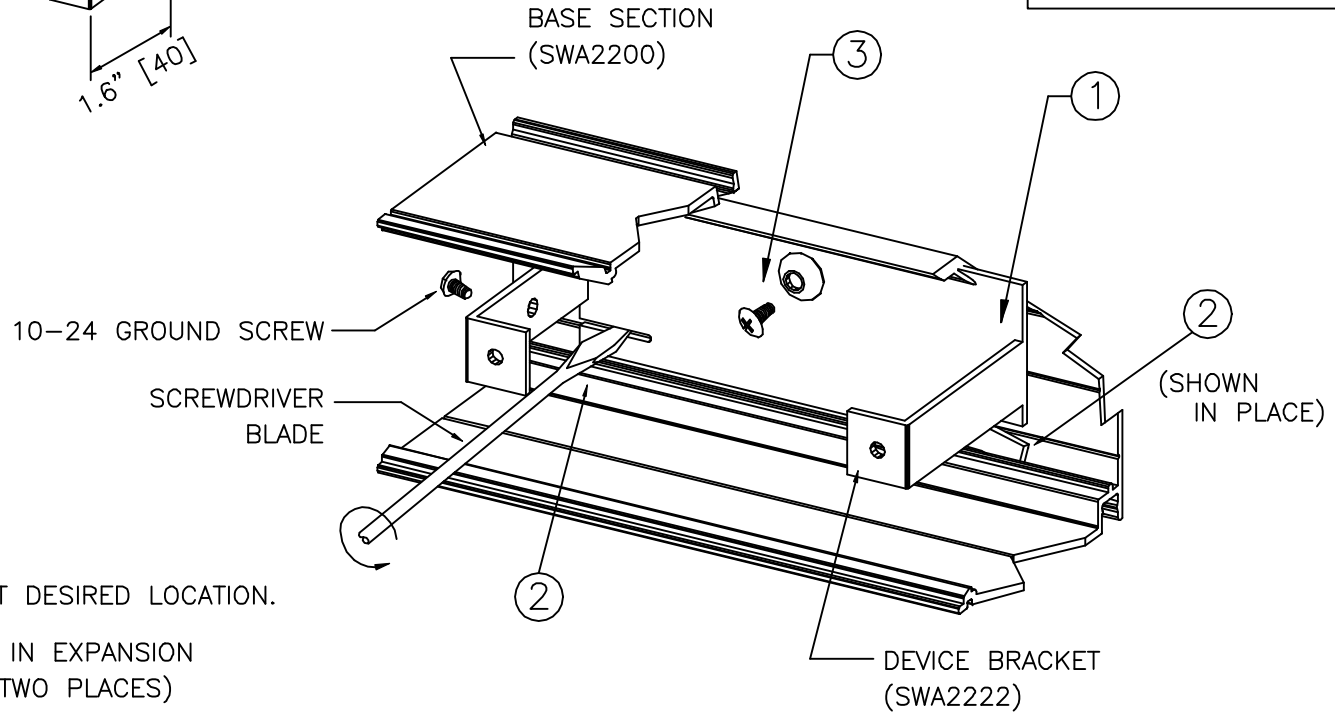
SWA2200 SERIES RACEWAY

SECTION VIEW

EACH ORDERED SEPARATELY

MATL.: .06" [1.5] THICK #6063-T6 ALUM.

SCALE: NONE



1. LOCATE DEVICE BRACKET AT DESIRED LOCATION.
2. TWIST SCREWDRIVER BLADE IN EXPANSION SLOT TO LOCK IN PLACE (TWO PLACES)
3. SECURE IN PLACE USING SUPPLIED 6-32 x 3/16" PAN HEAD METAL SCREW.



MONO-SYSTEMS, INC.

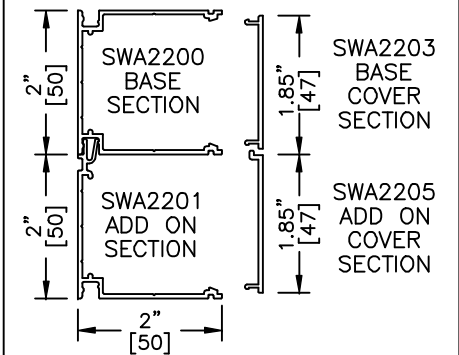
UNIQUE CABLE DISTRIBUTION SOLUTIONS
4 INTERNATIONAL DRIVE
RYE BROOK, NEW YORK 10573
PHONE: (914)-934-2075
FAX: (914)-934-2190

SnapWay™

P/N: SWA2224

"L" ADD-ON VERTICAL INTERNAL 90° ELBOW

SCALE: NONE



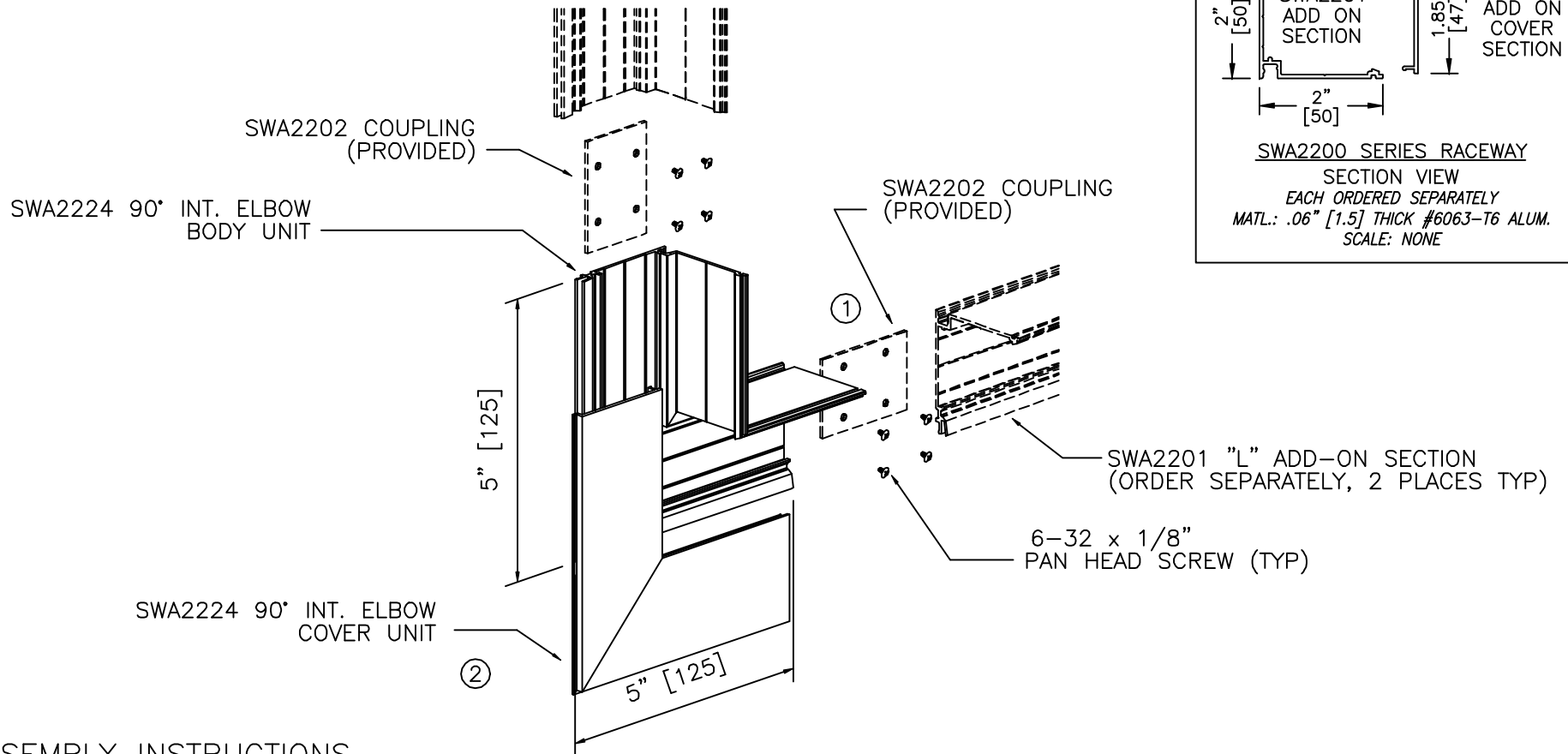
SWA2200 SERIES RACEWAY

SECTION VIEW

EACH ORDERED SEPARATELY

MATL.: .06" [1.5] THICK #6063-T6 ALUM.

SCALE: NONE



ASSEMBLY INSTRUCTIONS

1. CONNECT SWA2224 "L" ADD-ON VERTICAL INTERNAL 90° ELBOW BODY UNIT TO EXISTING SWA2201 "L" ADD-ON SECTIONS USING PROVIDED SWA2202 COUPLINGS. SECURE WITH FOUR 6-32 x 1/8" SCREWS. (2 PLACES TYP)
2. SNAP SWA2224 "L" ADD-ON VERTICAL 90° EXTERNAL ELBOW COVER UNIT INTO EACH SWA2201 "L" ADD-ON VERTICAL INTERNAL 90° ELBOW BODY UNIT AS SHOWN ENSURING THE SECURE FIT OF EACH COVER LEG INTO EACH BODY UNIT INTERLOCK. (2 PLACES TYP)

12/30/97 DOCUMENT REF. NO.: SWA2224A.DWG



MONO-SYSTEMS, INC.

UNIQUE CABLE DISTRIBUTION SOLUTIONS

4 INTERNATIONAL DRIVE

RYE BROOK, NEW YORK 10573

PHONE: (914)-934-2075

FAX: (914)-934-2190

SnapWay™

P/N: SWA2226

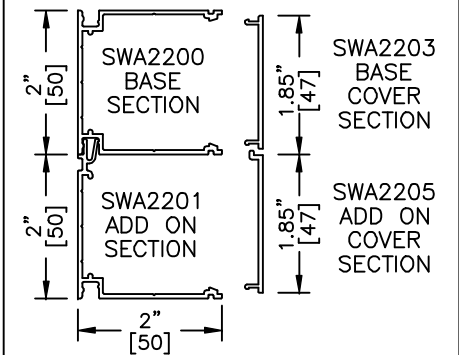
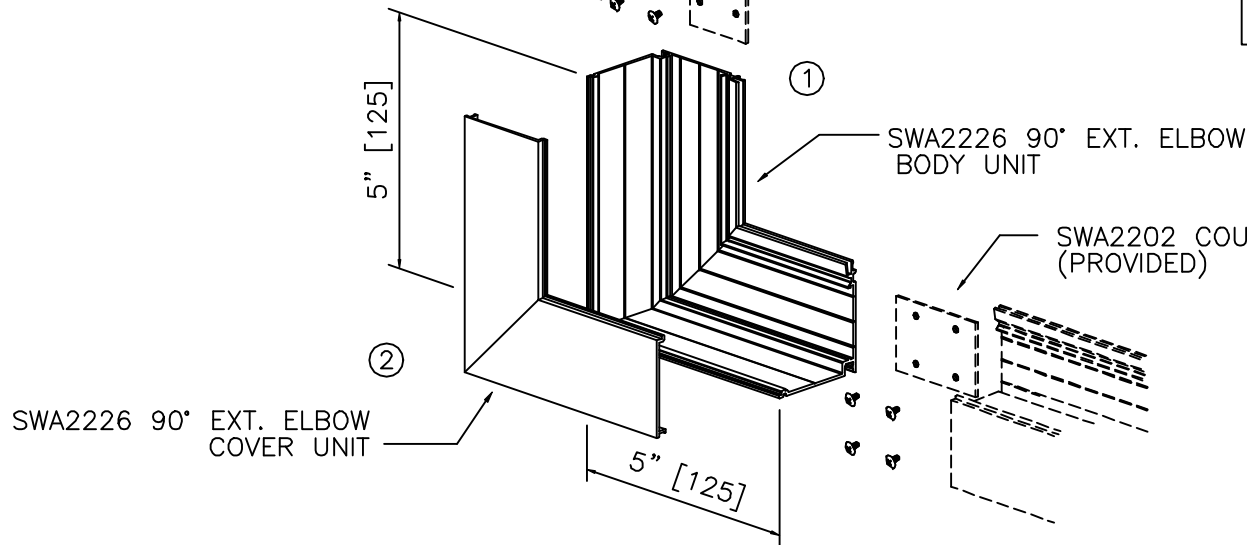
"L" ADD-ON VERTICAL EXTERNAL 90° ELBOW

SCALE: NONE

SWA2201 "L" ADD-ON SECTION
(ORDER SEPARATELY, 2 PLACES TYP)

6-32 x 1/8"
PAN HEAD SCREW (TYP)

SWA2202 COUPLING
(PROVIDED)



SWA2200 SERIES RACEWAY

SECTION VIEW

EACH ORDERED SEPARATELY

MATL.: .06" [1.5] THICK #6063-T6 ALUM.

SCALE: NONE

ASSEMBLY INSTRUCTIONS

1. CONNECT SWA2226 "L" ADD-ON VERTICAL EXTERNAL 90° ELOBW BODY UNIT TO EXISTING SWA2201 "L" ADD-ON SECTIONS USING PROVIDED SWA2202 COUPLINGS. SECURE WITH FOUR 6-32 x 1/8" SCREWS. (2 PLACES TYP)
2. SNAP SWA2226 "L" ADD-ON VERTICAL 90° EXTERNAL ELBOW COVER UNIT INTO EACH SWA2226 "L" ADD-ON VERTICAL EXTERNAL 90° ELBOW BODY UNIT AS SHOWN ENSURING THE SECURE FIT OF EACH COVER LEG INTO EACH BODY UNIT INTERLOCK. (2 PLACES TYP)



MONO-SYSTEMS, INC.

UNIQUE CABLE DISTRIBUTION SOLUTIONS

4 INTERNATIONAL DRIVE

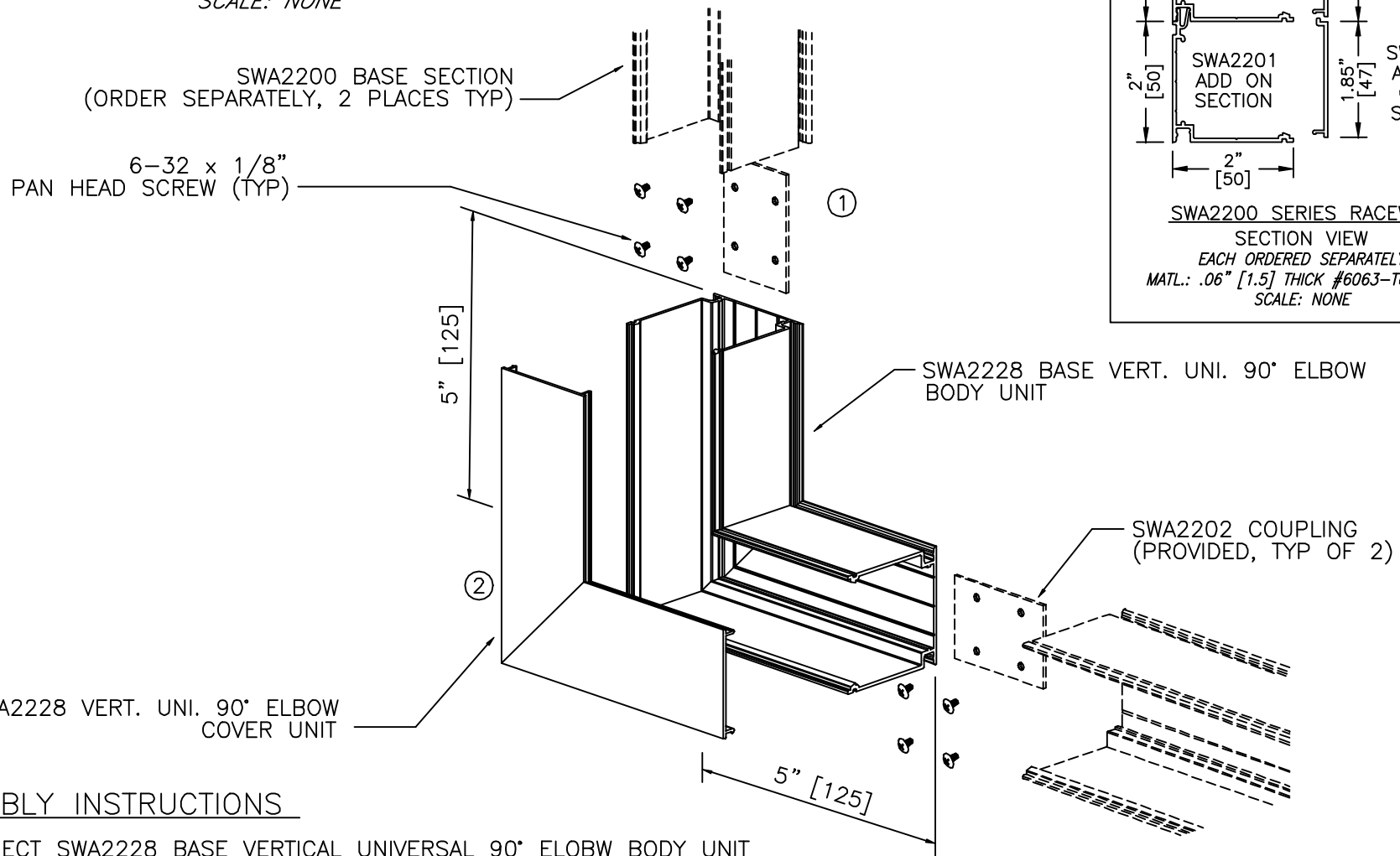
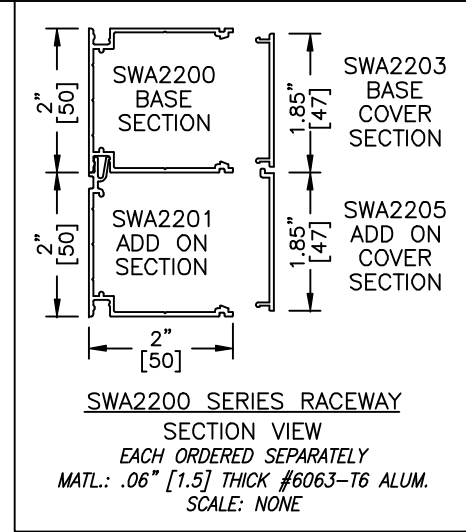
RYE BROOK, NEW YORK 10573

PHONE: (914)-934-2075

FAX: (914)-934-2190

SnapWay™

P/N: SWA2228
 BASE VERTICAL UNIVERSAL 90° ELBOW
 SCALE: NONE



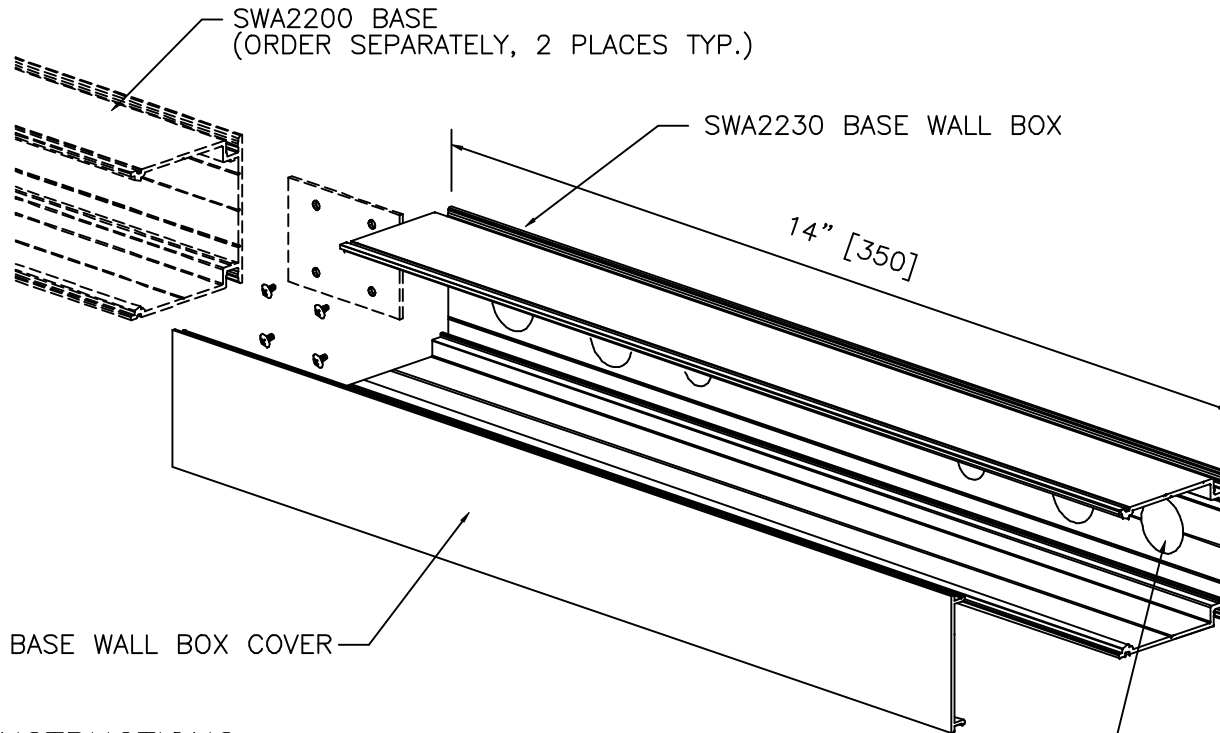
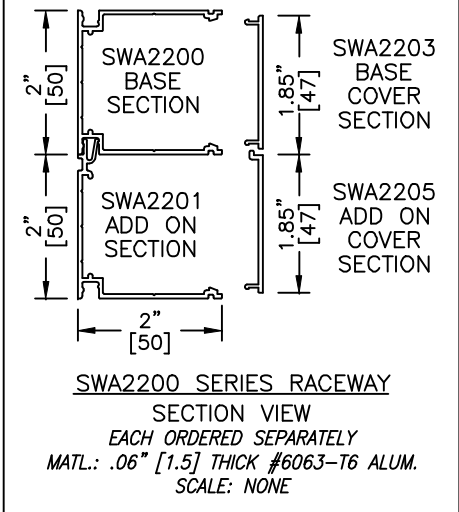
ASSEMBLY INSTRUCTIONS

1. CONNECT SWA2228 BASE VERTICAL UNIVERSAL 90° ELOBW BODY UNIT TO EXISTING SWA2200 BASE SECTIONS USING PROVIDED SWA2202 COUPLINGS. SECURE WITH FOUR 6-32 x 1/8" SCREWS. (2 PLACES TYP)
2. SNAP SWA2228 BASE UNIVERSAL VERTICAL 90° INTERNAL ELBOW COVER UNIT INTO EACH SWA2228 BASE VERTICAL UNIVERSAL 90° ELBOW BODY UNIT AS SHOWN ENSURING THE SECURE FIT OF EACH COVER LEG INTO EACH BODY UNIT INTERLOCK. (2 PLACES TYP)

MONO-SYSTEMS, INC.
 UNIQUE CABLE DISTRIBUTION SOLUTIONS
 4 INTERNATIONAL DRIVE
 RYE BROOK, NEW YORK 10573
 PHONE: (914)-934-2075
 FAX: (914)-934-2190

SnapWay™

P/N: SWA2230
 BASE WALL BOX
 SCALE: NONE



ASSEMBLY INSTRUCTIONS

1. CONNECT WALL BOX BODY UNIT TO SWA2201 "L" ADD-ON SECTIONS USING SWA2202 COUPLINGS. SECURE WITH FOUR 6-32 x 1/8" SCREWS. (2 PLACES TYP)
2. SECURE CONDUIT COUPLINGS (BY OTHERS) THROUGH DESIRED KNOCK OUT.
3. TERMINATE AND ENCLOSE ALL WIRING PER NEC AND LOCAL CODES.
4. SNAP SWA2230 WALL BOX COVER UNIT INTO SWA2230 BODY UNIT AS SHOWN ENSURING THE SECURE FIT OF EACH COVER LEG INTO EACH BODY UNIT INTERLOCK.

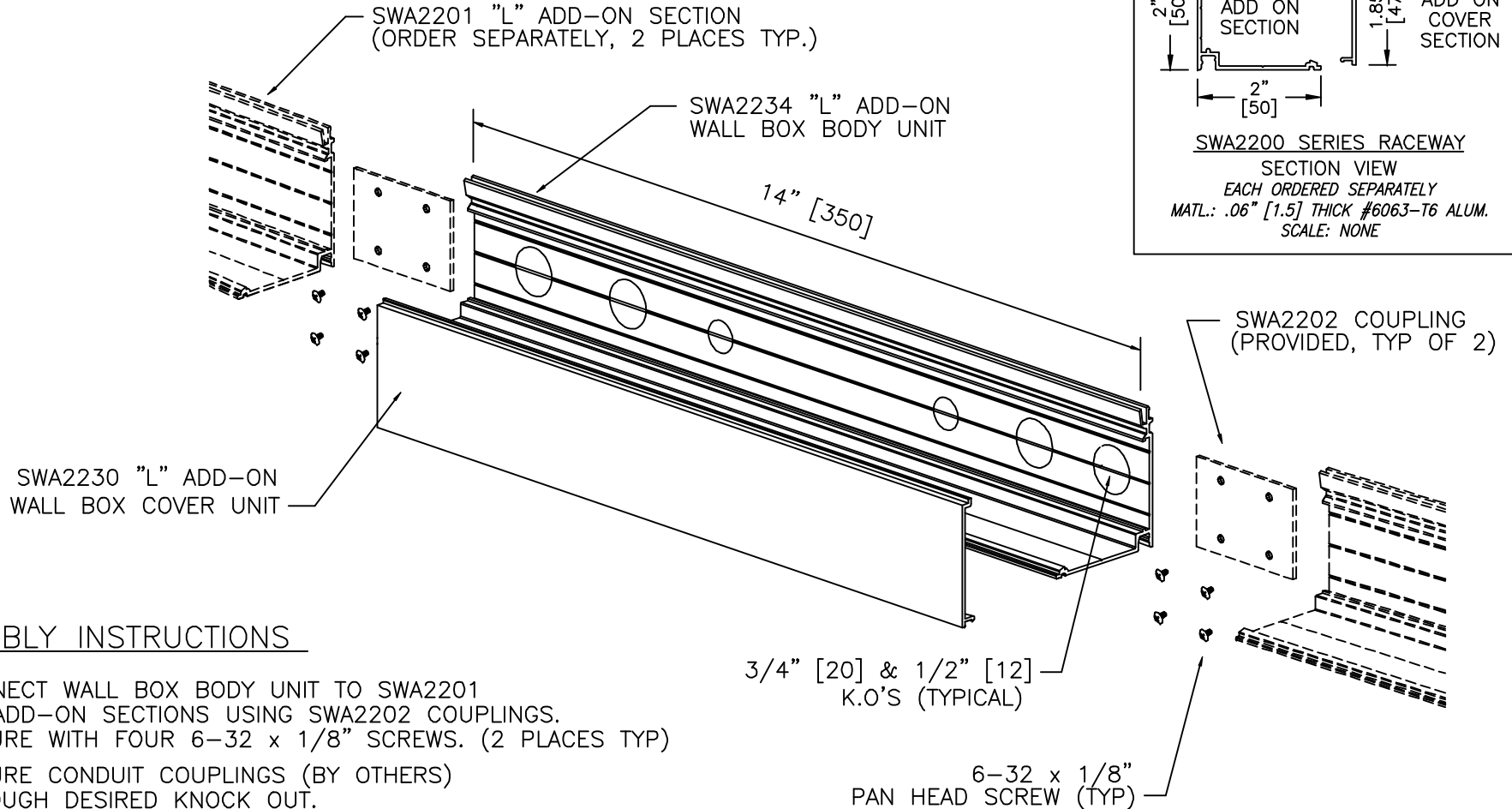
12/30/97 DOCUMENT REF. NO.: SWA2230A.DWG



MONO-SYSTEMS, INC.
 UNIQUE CABLE DISTRIBUTION SOLUTIONS
 4 INTERNATIONAL DRIVE
 RYE BROOK, NEW YORK 10573
 PHONE: (914)-934-2075
 FAX: (914)-934-2190

SnapWay™

P/N: SWA2234
 "L" ADD-ON SECTION WALL BOX
 SCALE: NONE



ASSEMBLY INSTRUCTIONS

1. CONNECT WALL BOX BODY UNIT TO SWA2201 "L" ADD-ON SECTIONS USING SWA2202 COUPLINGS. SECURE WITH FOUR 6-32 x 1/8" SCREWS. (2 PLACES TYP)
2. SECURE CONDUIT COUPLINGS (BY OTHERS) THROUGH DESIRED KNOCK OUT.
3. TERMINATE AND ENCLOSE ALL WIRING PER NEC AND LOCAL CODES.
4. SNAP SWA2234 WALL BOX COVER UNIT INTO SWA2234 BODY UNIT AS SHOWN ENSURING THE SECURE FIT OF EACH COVER LEG INTO EACH BODY UNIT INTERLOCK.

12/30/97 DOCUMENT REF. NO.: SWA2234A.DWG



MONO-SYSTEMS, INC.
 UNIQUE CABLE DISTRIBUTION SOLUTIONS
 4 INTERNATIONAL DRIVE
 RYE BROOK, NEW YORK 10573
 PHONE: (914)-934-2075
 FAX: (914)-934-2190