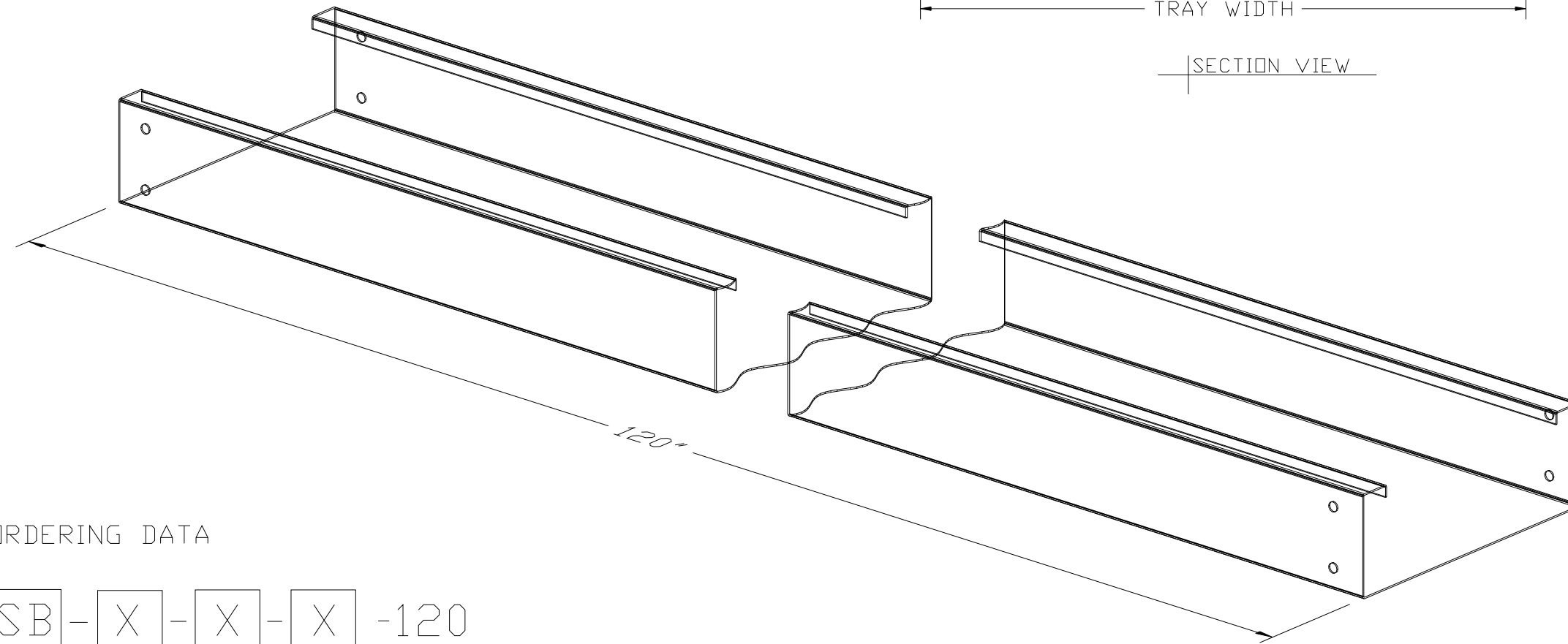
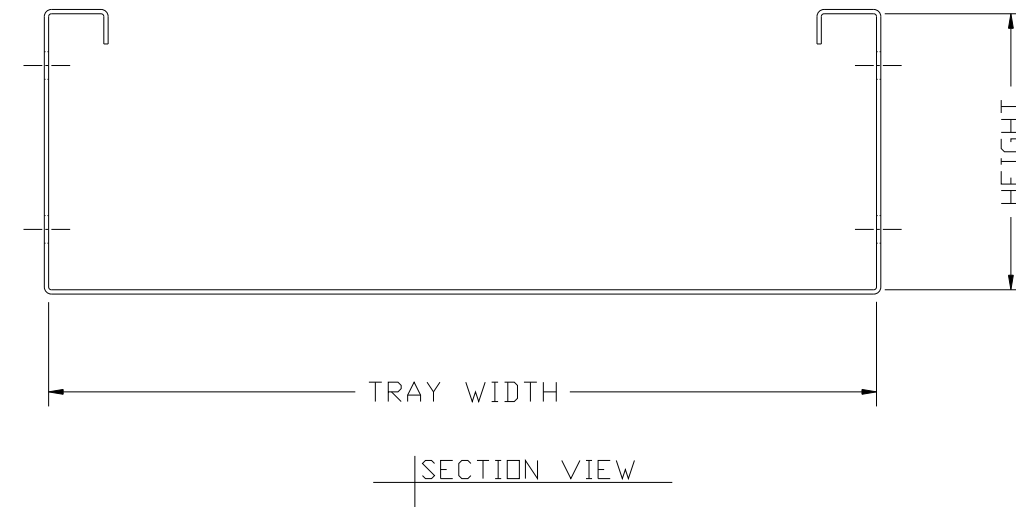


# **Mono-Systems, Inc.**

## **Power-Tray Accessories**

SB-X-X-120

STANDARD TRAY LENGTH: 120" (10'-0").  
 ONE U-SPLICE CONNECTOR AND HARDWARE  
 SUPPLIED WITH EACH TRAY LENGTH.  
 STANDARD NEMA CLASS 10A.  
 CUSTOM SIZES ARE AVAILABLE. CONTACT FACTORY.



### ORDERING DATA

SB - X - X - X - 120

MATERIAL	HEIGHT	TRAY WIDTH
P = STEEL	3 = 3"	06 = 6"
PRE-GALV.	4 = 4"	09 = 9"
A = ALUMINUM	6 = 6"	12 = 12"
		18 = 18"
		24 = 24"
		36 = 36"

10-1-10

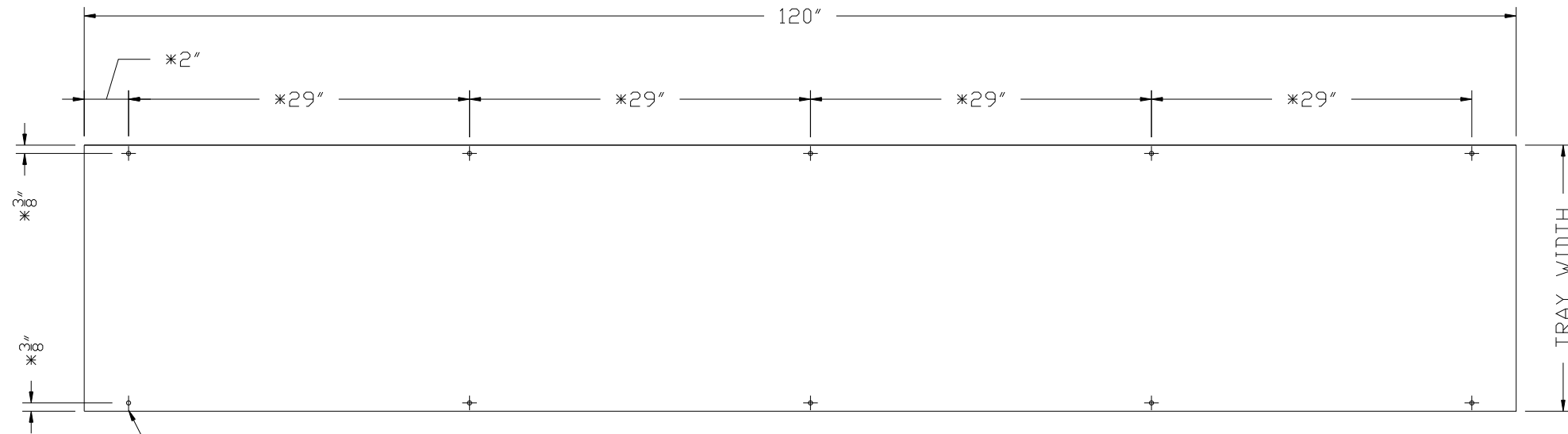
DOCUMENT REF. NO.: CS-SB-X-X-120

SCALE: NONE

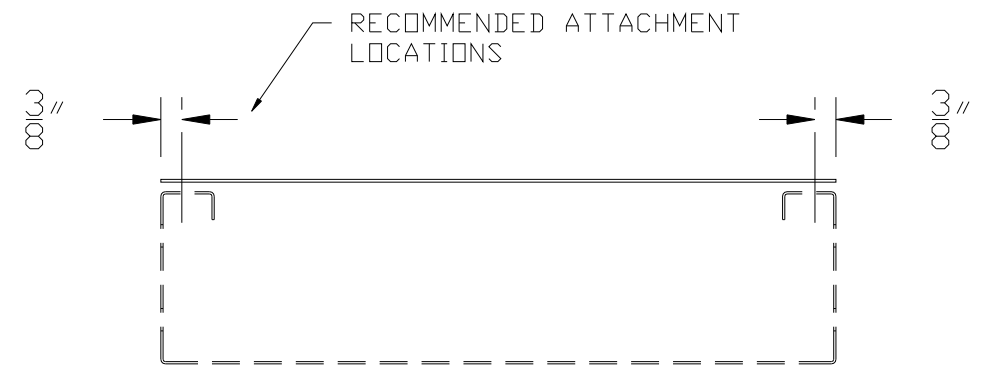


**MONO-SYSTEMS, INC.**  
 UNIQUE CABLE DISTRIBUTION SOLUTIONS  
 4 INTERNATIONAL DRIVE  
 RYE BROOK, NEW YORK 10573  
 PHONE: (914)-934-2075  
 FAX: (914)-934-2190

# Mono-Systems, Inc. Solid Bottom Cable Trough Cable Trough Cover



\*RECOMMENDED COVER FIELD ATTACHMENT SCREW LOCATIONS. (10 LOCATIONS) EACH COVER PROVIDED WITH TEN (10) #8 SELF-DRILLING TEK SCREWS (PHILIPS HEAD / ZINC PLATED).



ORDERING DATA  
EXAMPLE: SB SERIES ALUMINUM, COVER, FOR 24" TRAY

SB A COV - 24 - 120

MATERIAL	FITTING TYPE	TRAY WIDTH
P = STEEL PRE-GALV.	COVER	06 = 6"
A = ALUMINUM		09 = 9"
		12 = 12"
		18 = 18"
		24 = 24"
		36 = 36"

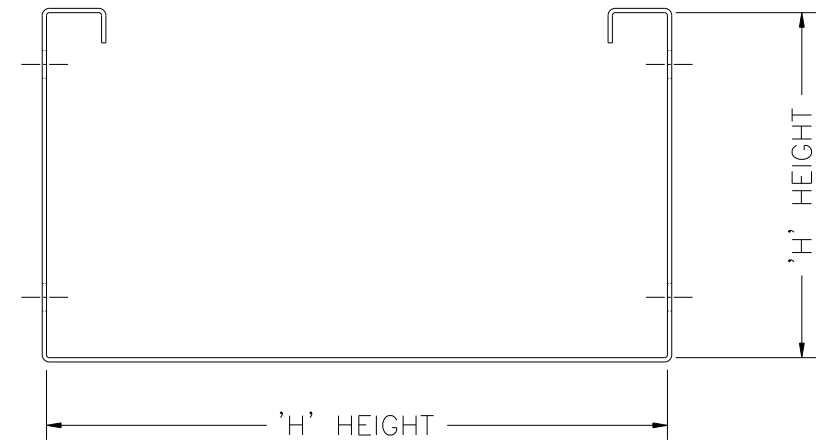


**MONO-SYSTEMS, INC.**  
UNIQUE CABLE DISTRIBUTION SOLUTIONS  
4 INTERNATIONAL DRIVE  
RYE BROOK, NEW YORK 10573  
PHONE: (914)-934-2075  
FAX: (914)-934-2190

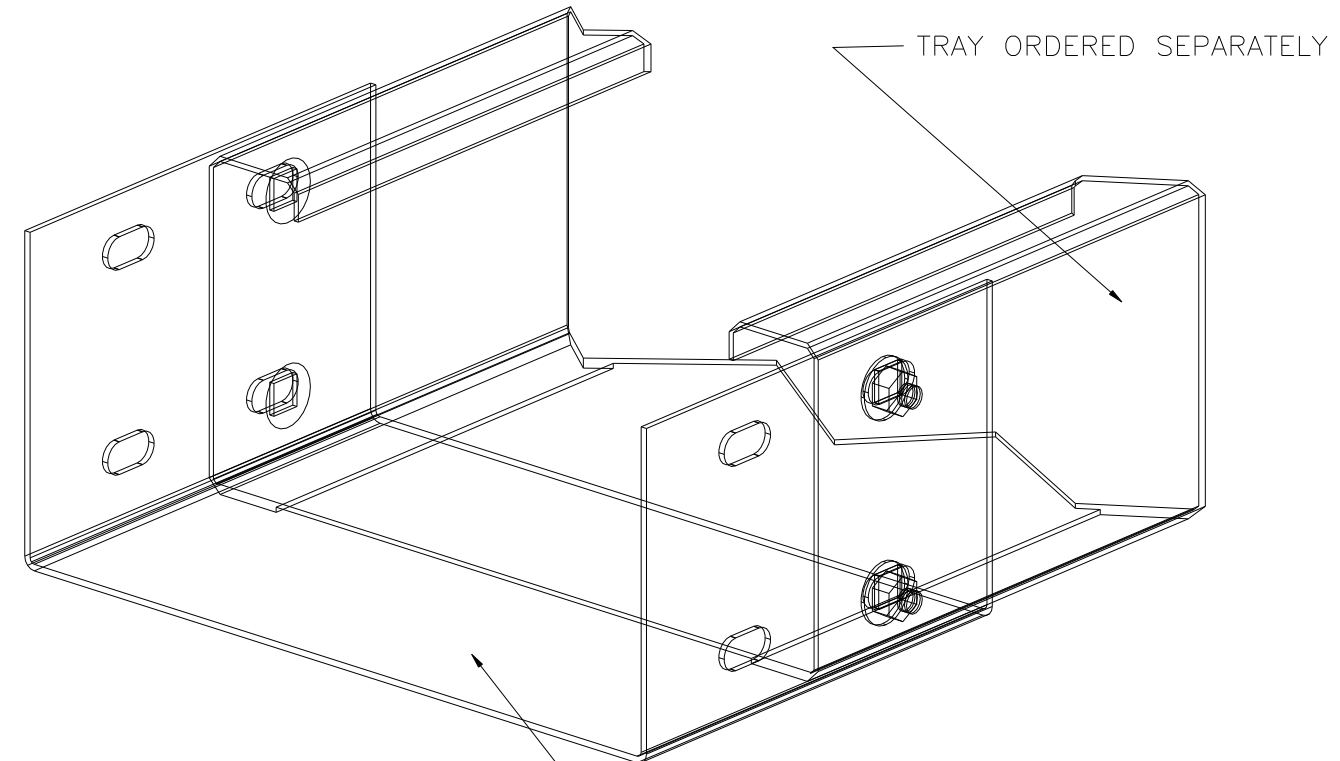
# **Mono-Systems, Inc.**

## **Power-Tray Accessories**

U – SPLICE CONNECTOR  
 USE TO JUNCTION TRAY SECTIONS TOGETHER.  
 3/8" HARDWARE PROVIDED.  
 ONE U-SLICE PROVIDED WITH EACH 10'  
 TRAY LENGTH ORDERED.



TRAY SECTION VIEW



SB-MH-USP-W  
 SEE CHART FOR SIZING

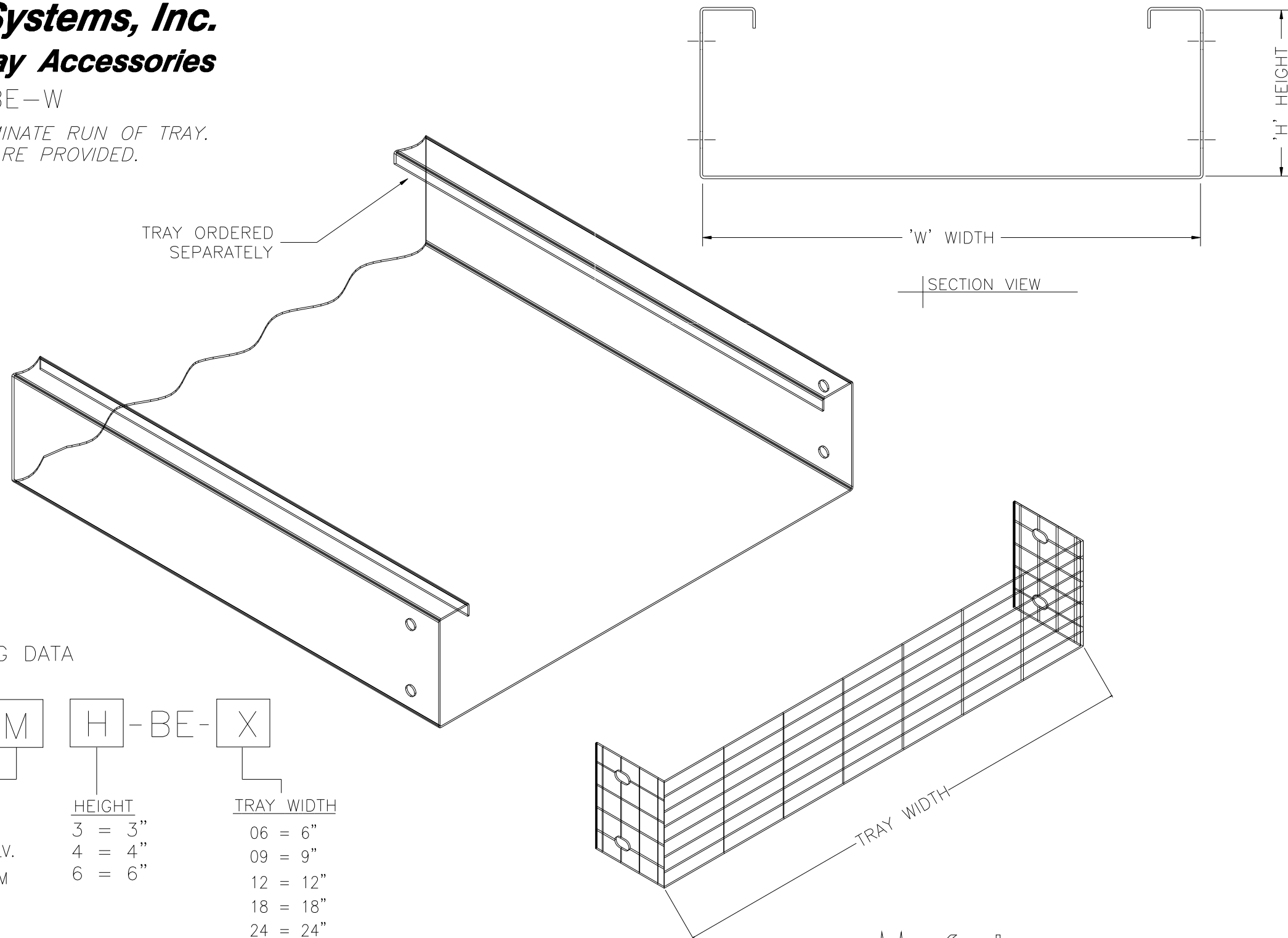
### ORDERING DATA

SB	-	M	H	-	USP	-	X
MATERIAL		HEIGHT		TRAY WIDTH			
P = STEEL		3 = 3"		06 = 6"			
PRE-GALV.		4 = 4"		09 = 9"			
A = ALUMINUM		6 = 6"		12 = 12"			
				18 = 18"			
				24 = 24"			
				36 = 36"			

**Mono-Systems, Inc.**  
**Power-Tray Accessories**

SB-MH-BE-W

USE TO TERMINATE RUN OF TRAY.  
 3/8" HARDWARE PROVIDED.



ORDERING DATA

SB	-	M	H	-	BE	-	X
MATERIAL		HEIGHT		TRAY WIDTH			
P = STEEL		3 = 3"		06 = 6"			
PRE-GALV.		4 = 4"		09 = 9"			
A = ALUMINUM		6 = 6"		12 = 12"			
				18 = 18"			
				24 = 24"			
				36 = 36"			

MSI P/N: SB-M-COV-HC-12-W  
 SOLID BOTTOM CROSS COVER

ORDERING DATA

EXAMPLE: SB SERIES ALUMINUM, 4" HIGH, HORIZ. TEE - 24" WIDE, 12" RADIUS

SB A - COV - HT - 12 - 24 - P \*

MATERIAL

P = STEEL  
 PRE-GALV.  
 A = ALUMINUM

FITTING TYPE

HORIZONTAL  
 CROSS

RADIUS

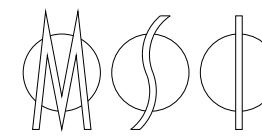
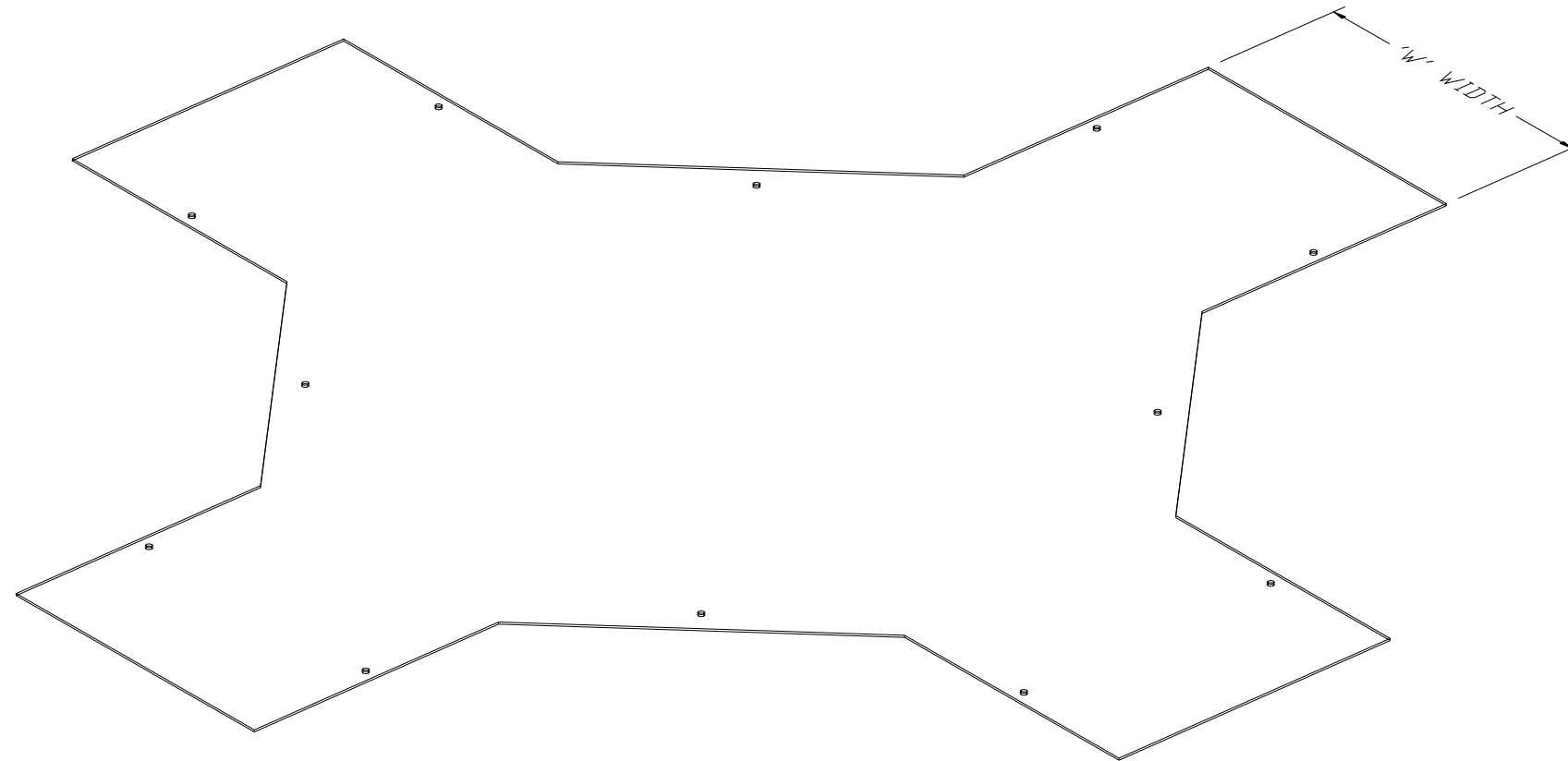
12"

WIDTH

06 = 6"  
 09 = 9"  
 12 = 12"  
 18 = 18"  
 24 = 24"

OPTIONAL  
 COLOR

\* - COLOR



**MONO-SYSTEMS, INC.**  
 UNIQUE CABLE DISTRIBUTION SOLUTIONS  
 4 INTERNATIONAL DRIVE  
 RYE BROOK, NEW YORK 10573  
 PHONE: (914)-934-2075  
 FAX: (914)-934-2190

**Mono-Systems, Inc.**  
**Power-Tray Accessories**

SB-MH-DIV-120

USE TO CREATE MULTIPLE COMPARTMENTS IN TROUGH TRAY.  
INSTALL USING RIVETS OR MACHINE SCREWS, NUTS AND WASHERS.  
ATTACHMENT AND ATTACHMENT HARDWARE BY OTHERS.

ORDERING DATA

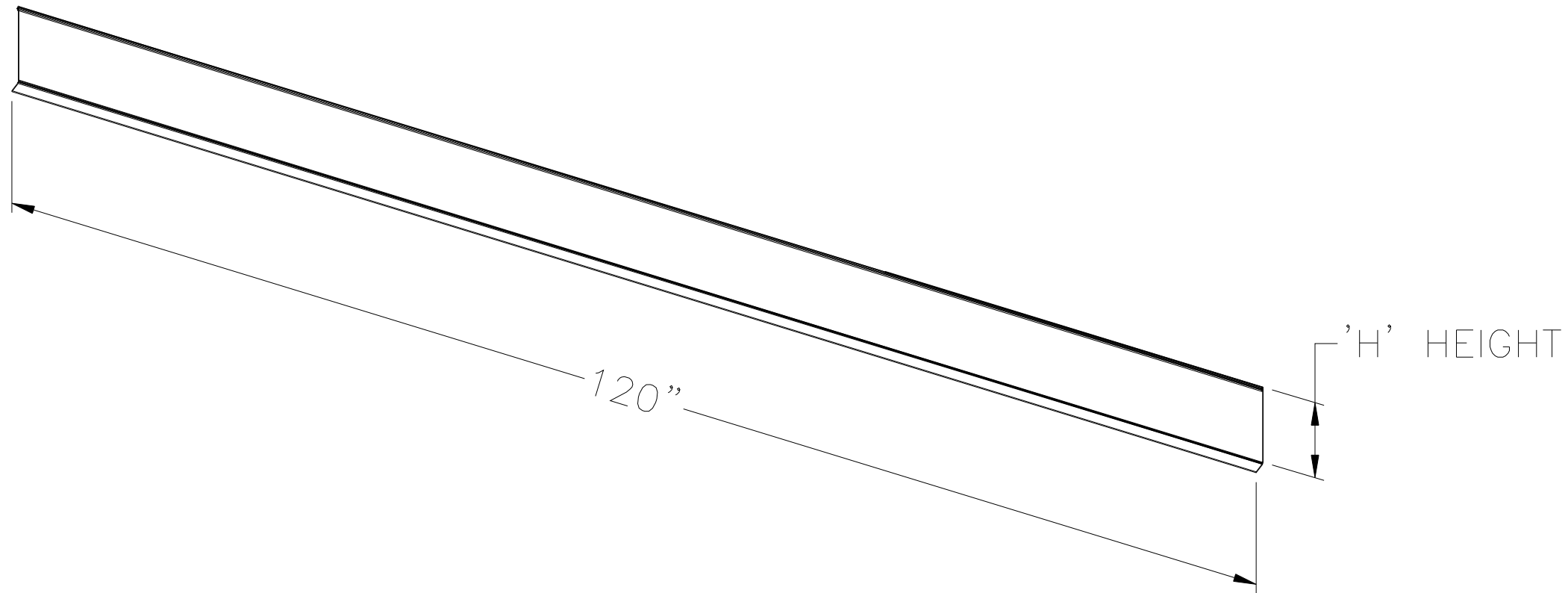
SB - M H - DIV - 120

MATERIAL

P = STEEL  
PRE-GALV.  
A = ALUMINUM

HEIGHT

3 = 3"  
4 = 4"  
6 = 6"



**MONO-SYSTEMS, INC.**  
UNIQUE CABLE DISTRIBUTION SOLUTIONS  
4 INTERNATIONAL DRIVE  
RYE BROOK, NEW YORK 10573  
PHONE: (914)-934-2075  
FAX: (914)-934-2190

MSI P/N: SB-M-COV-HE45-12-W  
 COVER FOR TROUGH HORIZONTAL ELBOW 45°

ORDERING DATA

EXAMPLE: SB SERIES ALUMINUM, HORIZ. 45 - 24" WIDE, 12" RADIUS

SB A -COV- HE45 - 24 - 12 - P \*

MATERIAL

A = ALUMINUM  
 P = STEEL  
 PRE GALVANIZED

FITTING TYPE

HORIZONTAL  
 45 ELBOW

WIDTH

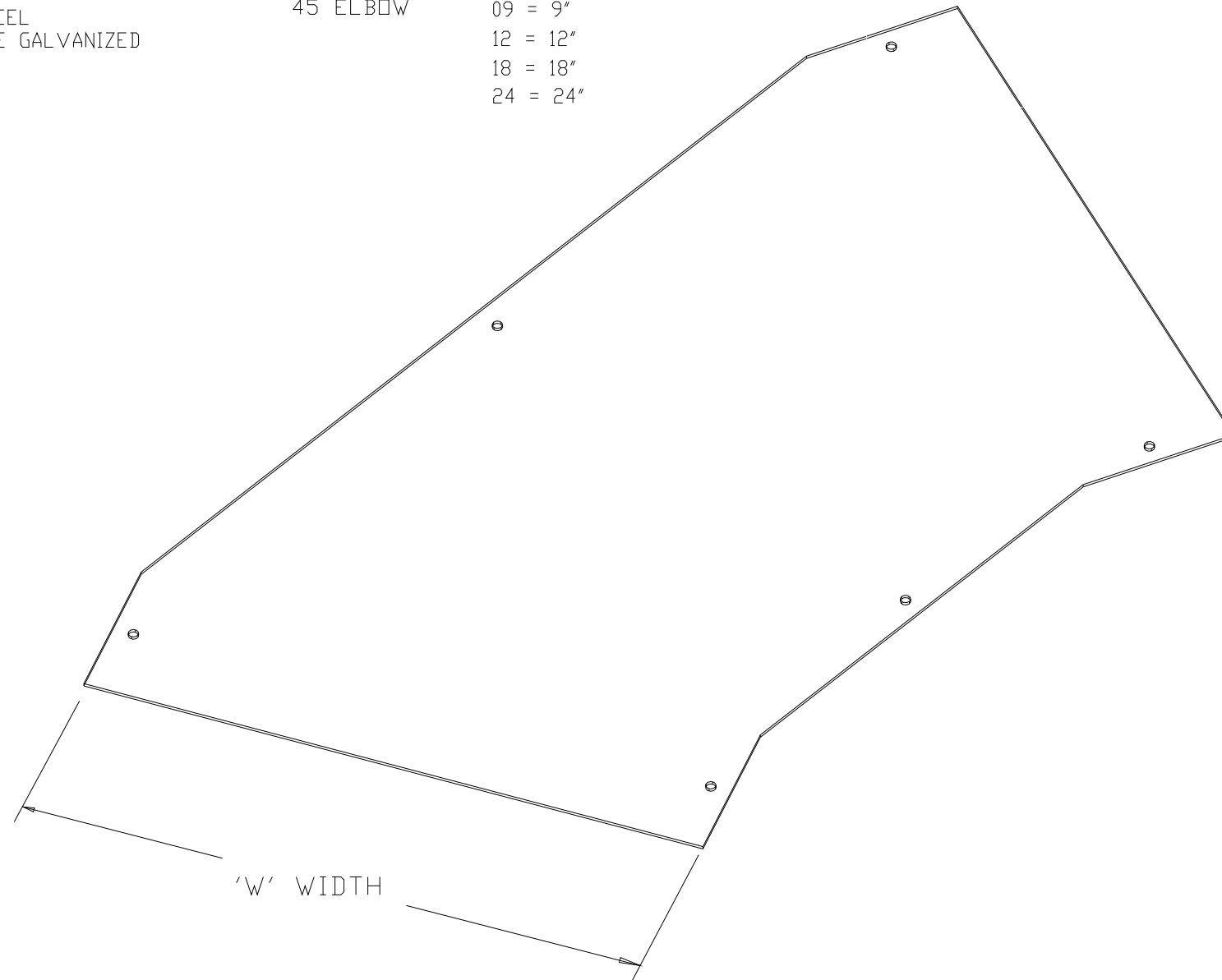
06 = 6"  
 09 = 9"  
 12 = 12"  
 18 = 18"  
 24 = 24"

RADIUS

12"

OPTIONAL  
 COLOR

\* - COLOR



10-7-10

DOCUMENT REF. NO.: CS-SB-M-COV-HE45-12-W.DWG



**MONO-SYSTEMS, INC.**

UNIQUE CABLE DISTRIBUTION SOLUTIONS  
 4 INTERNATIONAL DRIVE  
 RYE BROOK, NEW YORK 10573  
 PHONE: (914)-934-2075  
 FAX: (914)-934-2190

MSI P/N: SB-M-COV-HE90-12-W  
 COVER FOR SOLID BOTTOM HORIZONTAL ELBOW 90° TROUGH

ORDERING DATA

EXAMPLE: SB SERIES ALUMINUM, 4" HIGH, HORIZ. 90 - 24" WIDE, 12" RADIUS

SB - A - COV - HE90 - 12 - 24 - P \*

MATERIAL

P = STEEL  
 PRE-GALV.  
 A = ALUMINUM

FITTING TYPE

HORIZONTAL  
 90 ELBOW

RADIUS

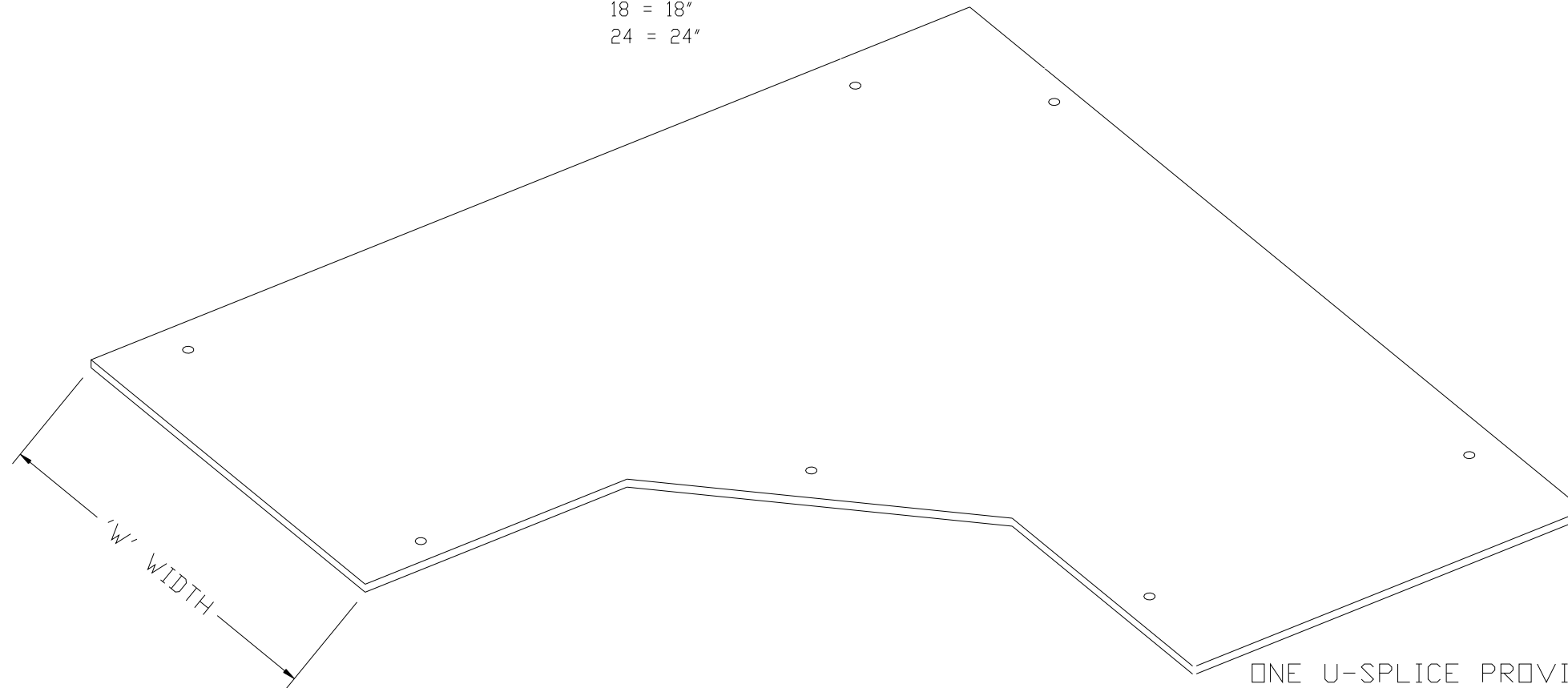
12"

WIDTH

06 = 6"  
 09 = 9"  
 12 = 12"  
 18 = 18"  
 24 = 24"

OPTIONAL  
 COLOR

\* - COLOR



ONE U-SPLICE PROVIDED WITH  
 EACH FITTING ORDERED.  
 SB-M-H-USP-W



**MONO-SYSTEMS, INC.**  
 UNIQUE CABLE DISTRIBUTION SOLUTIONS  
 4 INTERNATIONAL DRIVE  
 RYE BROOK, NEW YORK 10573  
 PHONE: (914)-934-2075  
 FAX: (914)-934-2190

MSI P/N: SB-M-COV--HT-12-W  
 COVER FOR SOLID BOTTOM TROUGH TEE

ORDERING DATA

EXAMPLE: SB SERIES ALUMINUM, 4" HIGH, HORIZ. TEE - 24" WIDE, 12" RADIUS

SB - A - COV - HT - 12 - 24 - P \*

MATERIAL

P = STEEL  
 PRE-GALV.  
 A = ALUMINUM

FITTING TYPE

HORIZONTAL  
 TEE

RADIUS

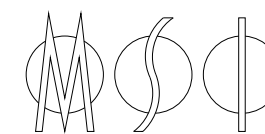
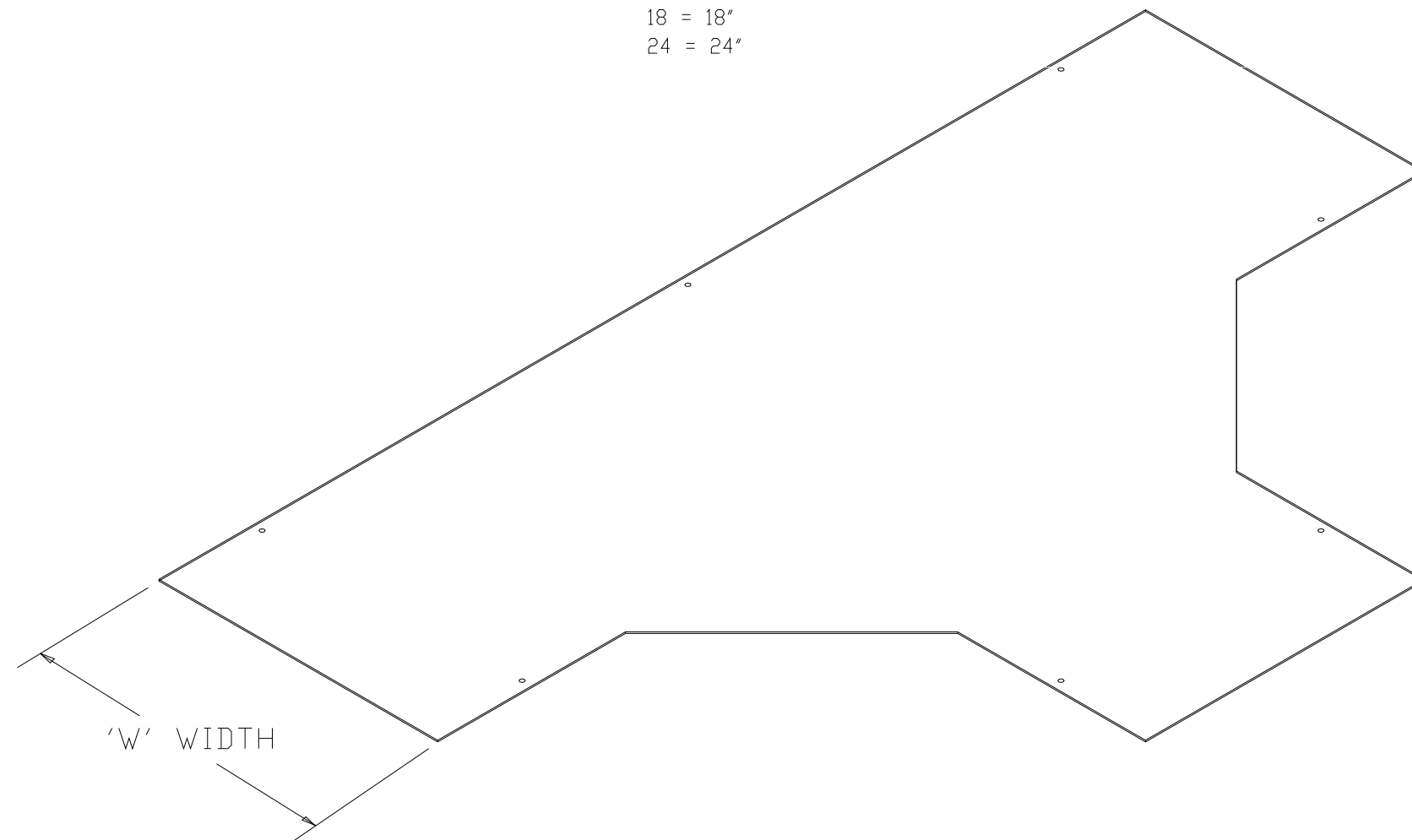
12"

WIDTH

06 = 6"  
 09 = 9"  
 12 = 12"  
 18 = 18"  
 24 = 24"

OPTIONAL  
 COLOR

\* - COLOR





MSI P/N: SB-M-COV-IV90-12-W  
 COVER FOR SOLID BOTTOM IVR TROUGH

ORDERING DATA

EXAMPLE: SB SERIES ALUMINUM, IVR90 - 24" WIDE, 12" RADIUS

SB A -COV- IV90 -12 -24 -P \*

MATERIAL

P = STEEL  
 PRE-GALV.  
 A = ALUMINUM

FITTING TYPE

HORIZONTAL  
 90 IVR

RADIUS

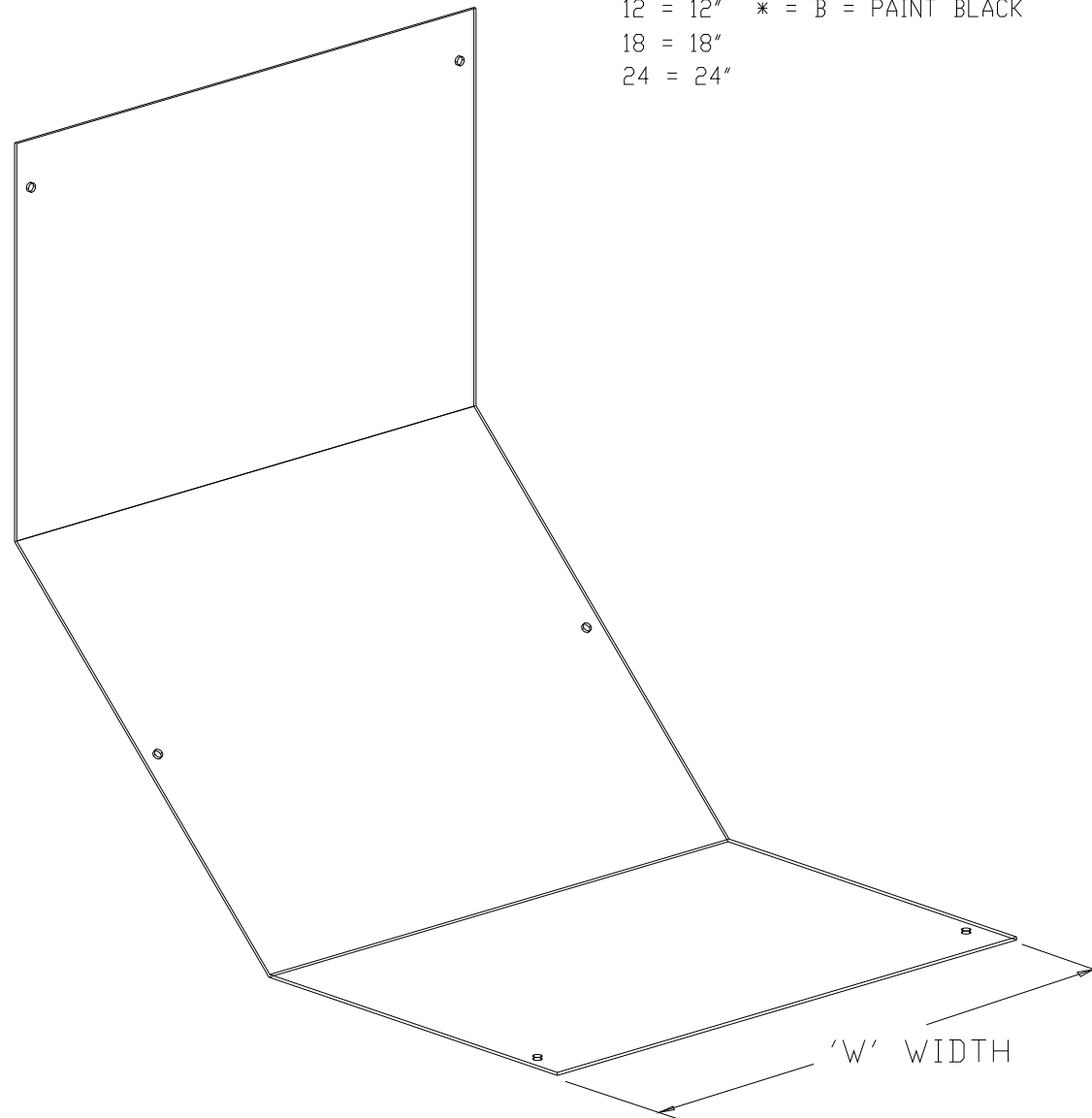
12"

WIDTH

06 = 6"  
 09 = 9"  
 12 = 12"  
 18 = 18"  
 24 = 24"

OPTIONAL  
 COLOR

\* - COLOR EX. BELOW  
 \* = G = PAINT GREY  
 \* = B = PAINT BLACK



MSI P/N: SB-M-COV-OV45-12-W  
 COVER FOR SOLID BOTTOM OVR TROUGH

ORDERING DATA

EXAMPLE: SB SERIES ALUMINUM, 4" HIGH, IVR90 - 24" WIDE, 12" RADIUS



MATERIAL

P = STEEL  
 PRE-GALV.

A = ALUMINUM

FITTING TYPE

VERTICAL  
 45 OVR

RADIUS

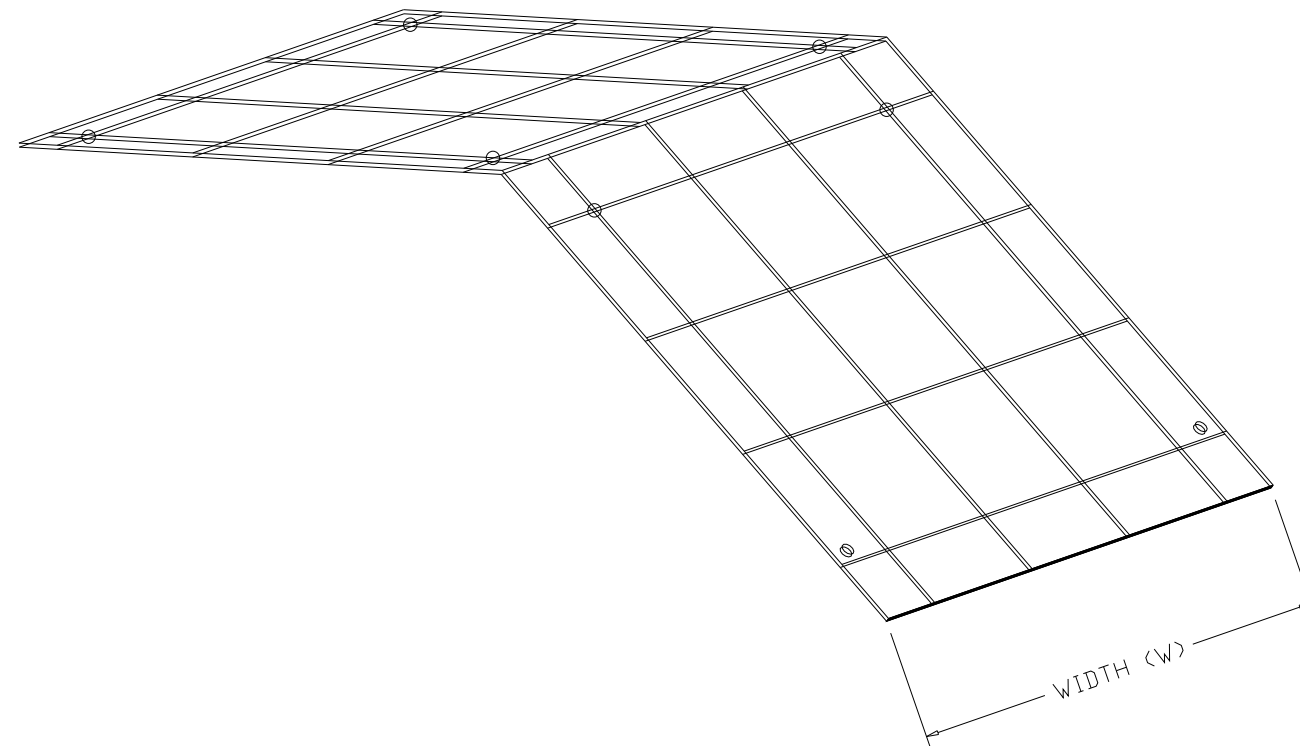
12"

WIDTH

06 = 6"  
 09 = 9"  
 12 = 12"  
 18 = 18"  
 24 = 24"

OPTIONAL  
 COLOR

\* - COLOR



10-12-10

DOCUMENT REF. NO.: CS-SB-M-COV-OV45-12-W



**MONO-SYSTEMS, INC.**

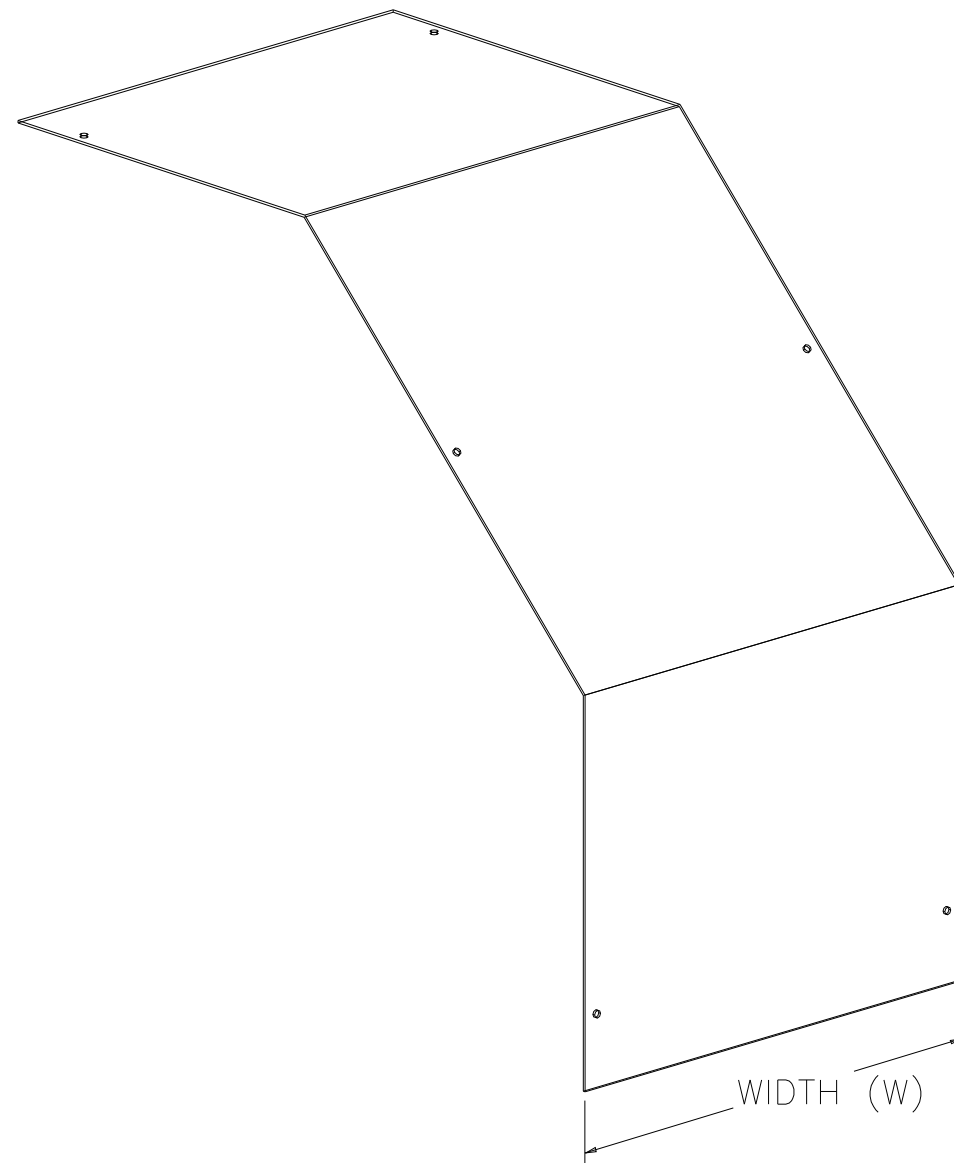
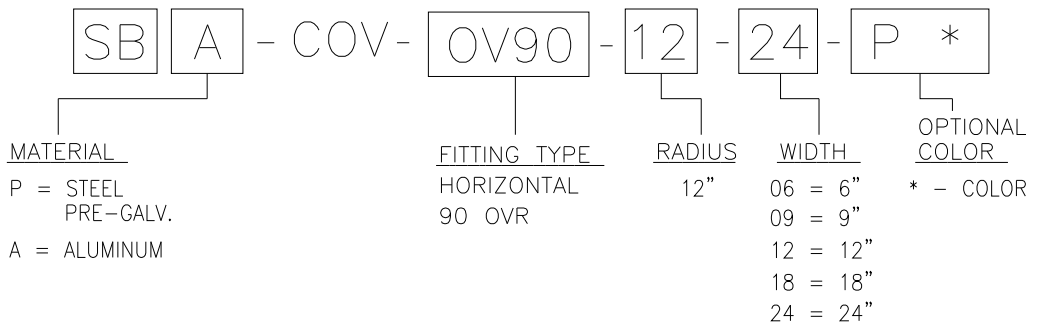
UNIQUE CABLE DISTRIBUTION SOLUTIONS  
 4 INTERNATIONAL DRIVE  
 RYE BROOK, NEW YORK 10573  
 PHONE: (914)-934-2075  
 FAX: (914)-934-2190

MSI P/N: SB-M-COV-OV90-12-W

COVER SOLID BOTTOM OVR

ORDERING DATA

EXAMPLE: SB SERIES ALUMINUM, 4" HIGH, OVR90 - 24" WIDE, 12" RADIUS



10-12-10 DOCUMENT REF. NO.: CS-SB-M-COV-OV90-12-W.DWG



**MONO-SYSTEMS, INC.**  
UNIQUE CABLE DISTRIBUTION SOLUTIONS  
4 INTERNATIONAL DRIVE  
RYE BROOK, NEW YORK 10573  
PHONE: (914)-934-2075  
FAX: (914)-934-2190

MSI P/N: SB-M-H-HC-12-W  
SOLID BOTTOM CROSS

ORDERING DATA

EXAMPLE: SB SERIES ALUMINUM, 4" HIGH, HORIZ. TEE - 24" WIDE, 12" RADIUS

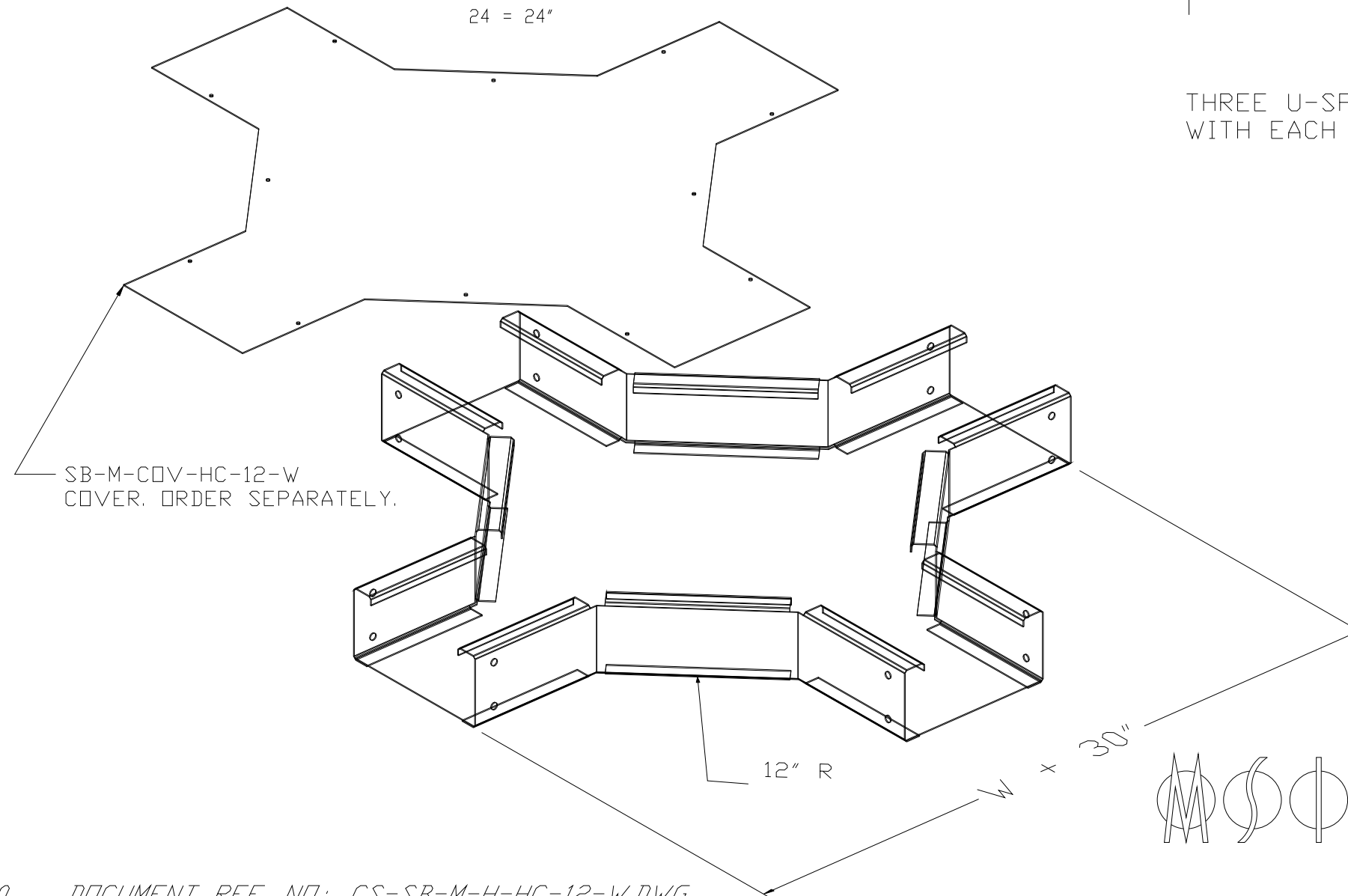
SB A 04 - HC - 12 - 24 - P \*

MATERIAL	HEIGHT	FITTING TYPE	RADIUS	WIDTH	OPTIONAL COLOR
P = STEEL	03 = 3"	HORIZONTAL	12"	06 = 6"	* - COLOR
PRE-GALV.	04 = 4"	CROSS		09 = 9"	
A = ALUMINUM	05 = 5"			12 = 12"	
	06 = 6"			18 = 18"	
				24 = 24"	



SECTION VIEW

THREE U-SPLICES PROVIDED WITH EACH FITTING ORDERED.



SB-M-COV-HC-12-W  
COVER. ORDER SEPARATELY.

**MONO-SYSTEMS, INC.**  
UNIQUE CABLE DISTRIBUTION SOLUTIONS  
4 INTERNATIONAL DRIVE  
RYE BROOK, NEW YORK 10573  
PHONE: (914)-934-2075  
FAX: (914)-934-2190

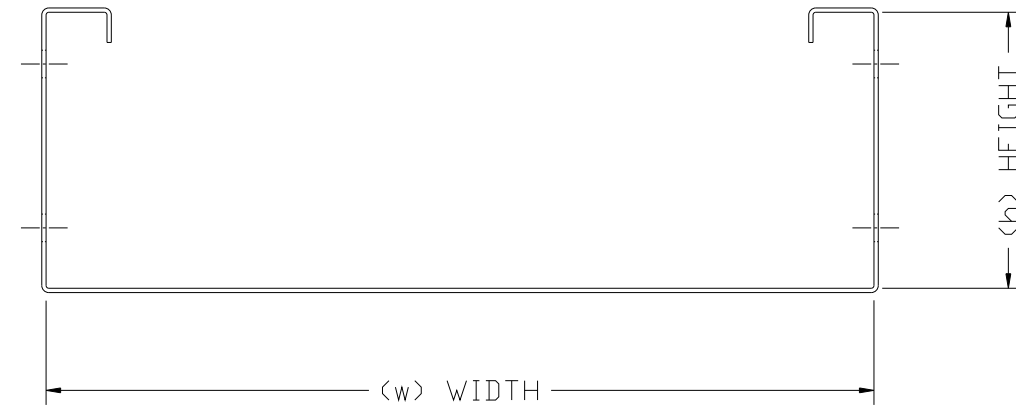
MSI P/N: SB(M)(H)-HE45-12-(W)  
 SOLID TROUGH HORIZONTAL ELBOW 45°

ORDERING DATA

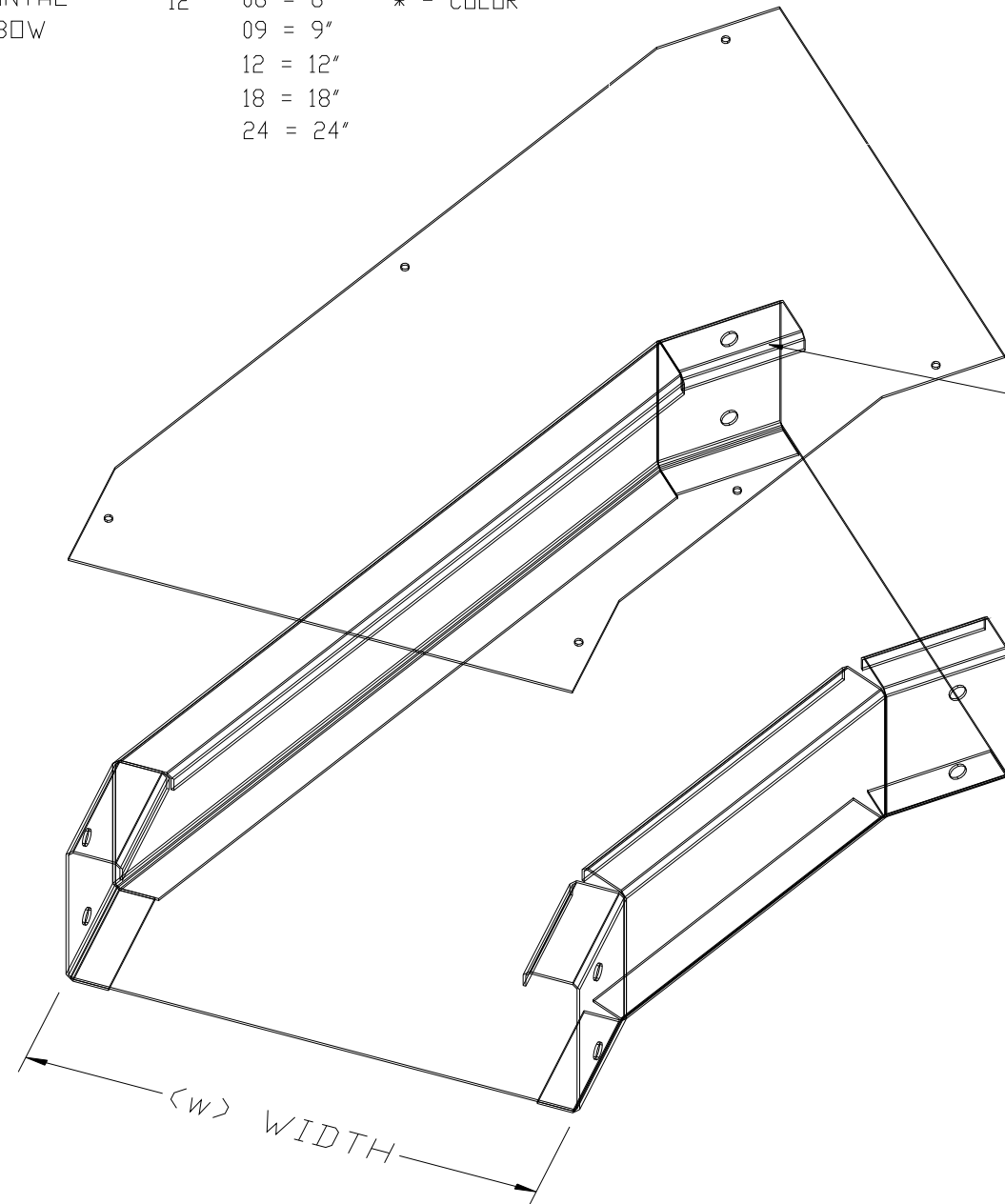
EXAMPLE: SB SERIES STEEL GALVANEAL., 4" HIGH, HORIZ. 45 - 24" WIDE, 12" RADIUS

SB P 04 - HE45 - 12 - 24 - P \*

MATERIAL	HEIGHT	FITTING TYPE	RADIUS	WIDTH	OPTIONAL COLOR
A = ALUMINUM	03 = 3"	HORIZONTAL	12"	06 = 6"	* - COLOR
P = GALVANEAL	04 = 4"	45 ELBOW		09 = 9"	
	05 = 5"			12 = 12"	
	06 = 6"			18 = 18"	
				24 = 24"	



SECTION VIEW



SB-M-COV-HE45-12-W  
 COVER. ORDER SEPARATELY.

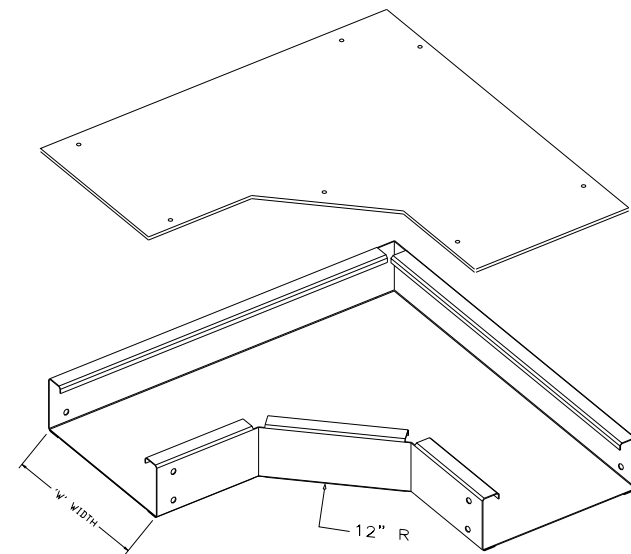
ONE U-SPLICE PROVIDED WITH  
 EACH FITTING ORDERED.  
 SB-M-H-USP-W

10-7-10

DOCUMENT REF. NO.: CS-SB-M-H-HE45-12-W.DWG



**MONO-SYSTEMS, INC.**  
 UNIQUE CABLE DISTRIBUTION SOLUTIONS  
 4 INTERNATIONAL DRIVE  
 RYE BROOK, NEW YORK 10573  
 PHONE: (914)-934-2075  
 FAX: (914)-934-2190



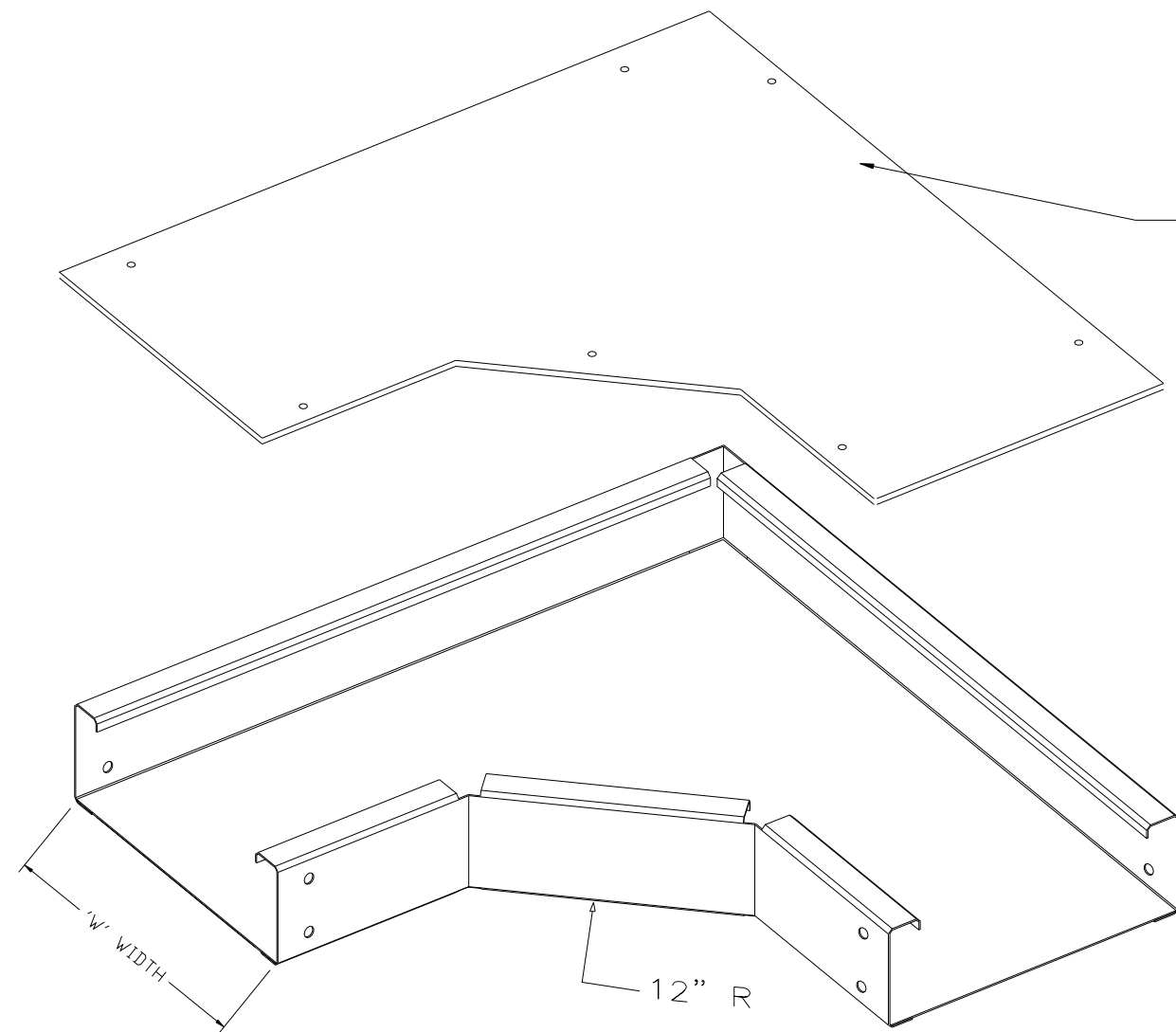
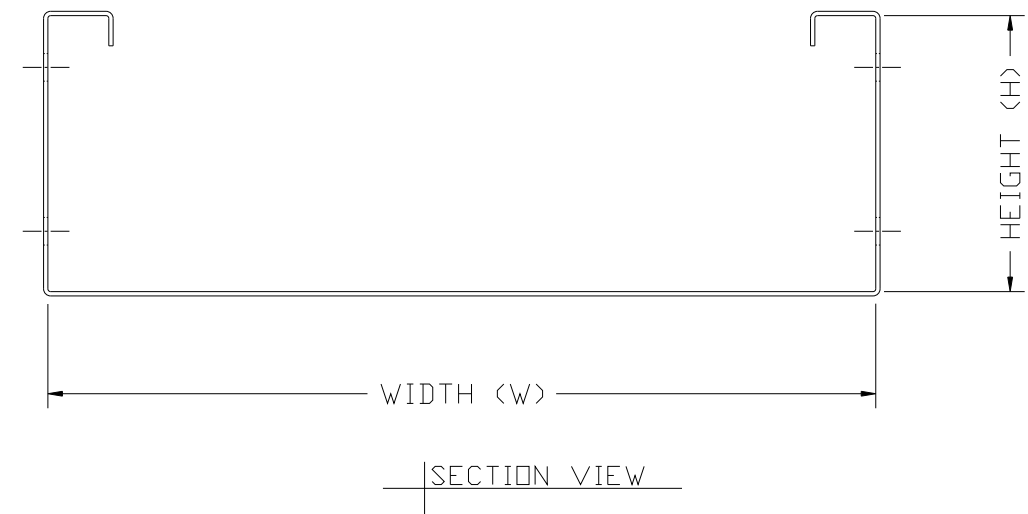
MSI P/N: SB-M-H-HE90-12-W  
 SOLID BOTTOM HORIZONTAL ELBOW 90° TROUGH

ORDERING DATA

EXAMPLE: SB SERIES ALUMINUM, 4" HIGH, HORIZ. 90 - 24" WIDE, 12" RADIUS

SB A 04 - HE90 - 12 - 24 - P \*

MATERIAL	HEIGHT	FITTING TYPE	RADIUS	WIDTH	OPTIONAL COLOR
P = STEEL	03 = 3"	HORIZONTAL	12"	06 = 6"	* - COLOR
PRE-GALV.	04 = 4"	90 ELBOW		09 = 9"	
A = ALUMINUM	05 = 5"			12 = 12"	
	06 = 6"			18 = 18"	
				24 = 24"	



ONE U-SPLICE PROVIDED WITH EACH FITTING ORDERED.  
 SB-M-H-USP-W



**MONO-SYSTEMS, INC.**  
 UNIQUE CABLE DISTRIBUTION SOLUTIONS  
 4 INTERNATIONAL DRIVE  
 RYE BROOK, NEW YORK 10573  
 PHONE: (914)-934-2075  
 FAX: (914)-934-2190

MSI P/N: SB-M-H--HT-12-W  
 SOLID BOTTOM TROUGH TEE

ORDERING DATA

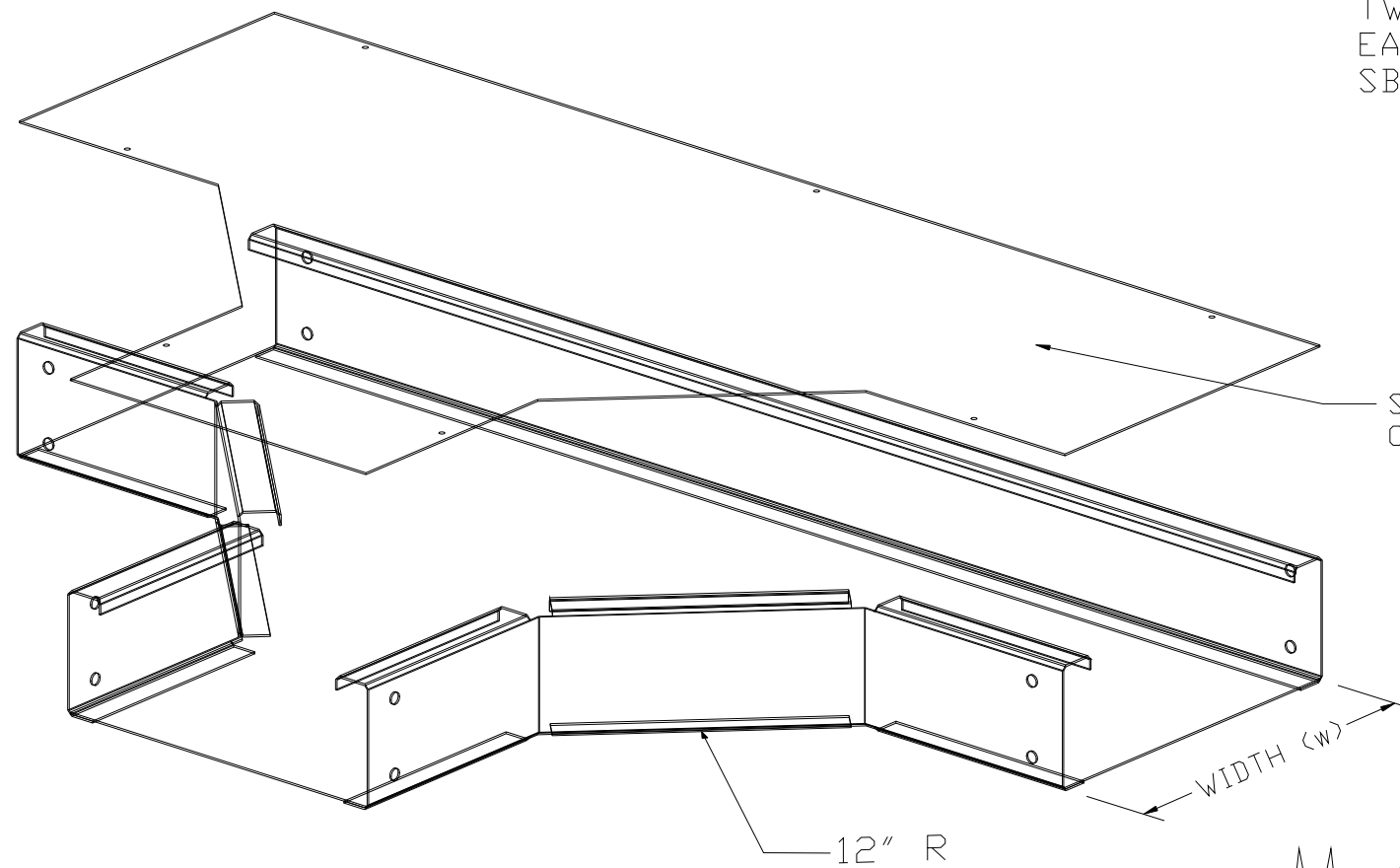
EXAMPLE: SB SERIES ALUMINUM, 4" HIGH, HORIZ. TEE - 24" WIDE, 12" RADIUS

SB	A	04	-	HT	-	12	-	24	-	P *
<u>MATERIAL</u>	<u>HEIGHT</u>	<u>FITTING TYPE</u>		<u>RADIUS</u>		<u>WIDTH</u>		<u>OPTIONAL COLOR</u>		
P = STEEL PRE-GALV.	03 = 3" 04 = 4"	HORIZONTAL TEE		12"		06 = 6" 09 = 9" 12 = 12" 18 = 18" 24 = 24"		* - COLOR		
A = ALUMINUM	05 = 5" 06 = 6"									



SECTION VIEW

TWO U-SPLICE PROVIDED WITH EACH FITTING ORDERED.  
 SB-M-H-USP-W



SB-M-COV-HT-12-W  
 COVER. ORDER SEPARATELY.



**MONO-SYSTEMS, INC.**  
 UNIQUE CABLE DISTRIBUTION SOLUTIONS  
 4 INTERNATIONAL DRIVE  
 RYE BROOK, NEW YORK 10573  
 PHONE: (914)-934-2075  
 FAX: (914)-934-2190

MSI P/N: SB-M-H-IV45-12-W  
 SOLID BOTTOM IVR TROUGH

ORDERING DATA

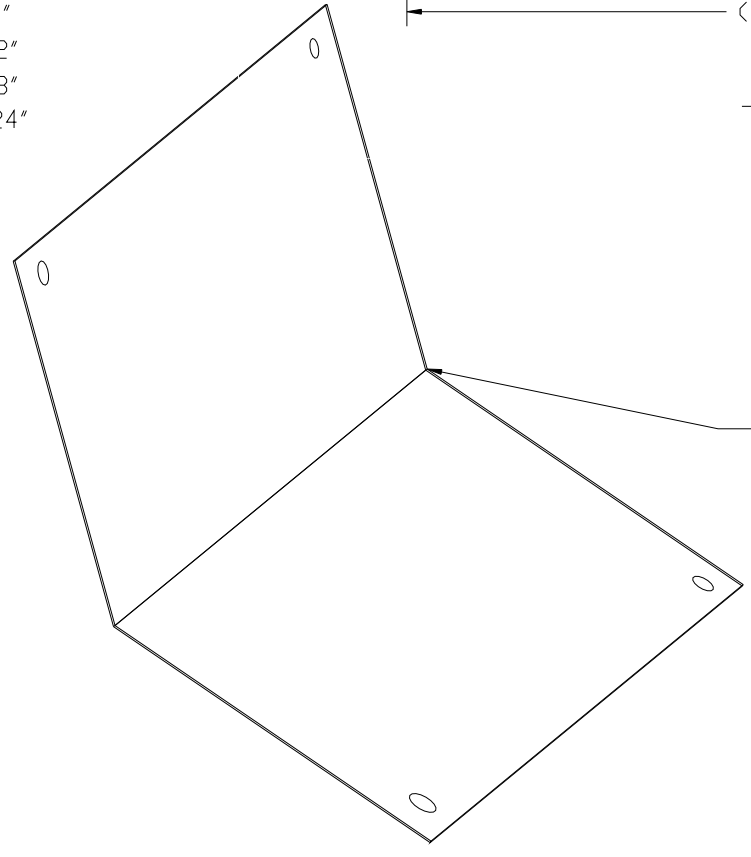
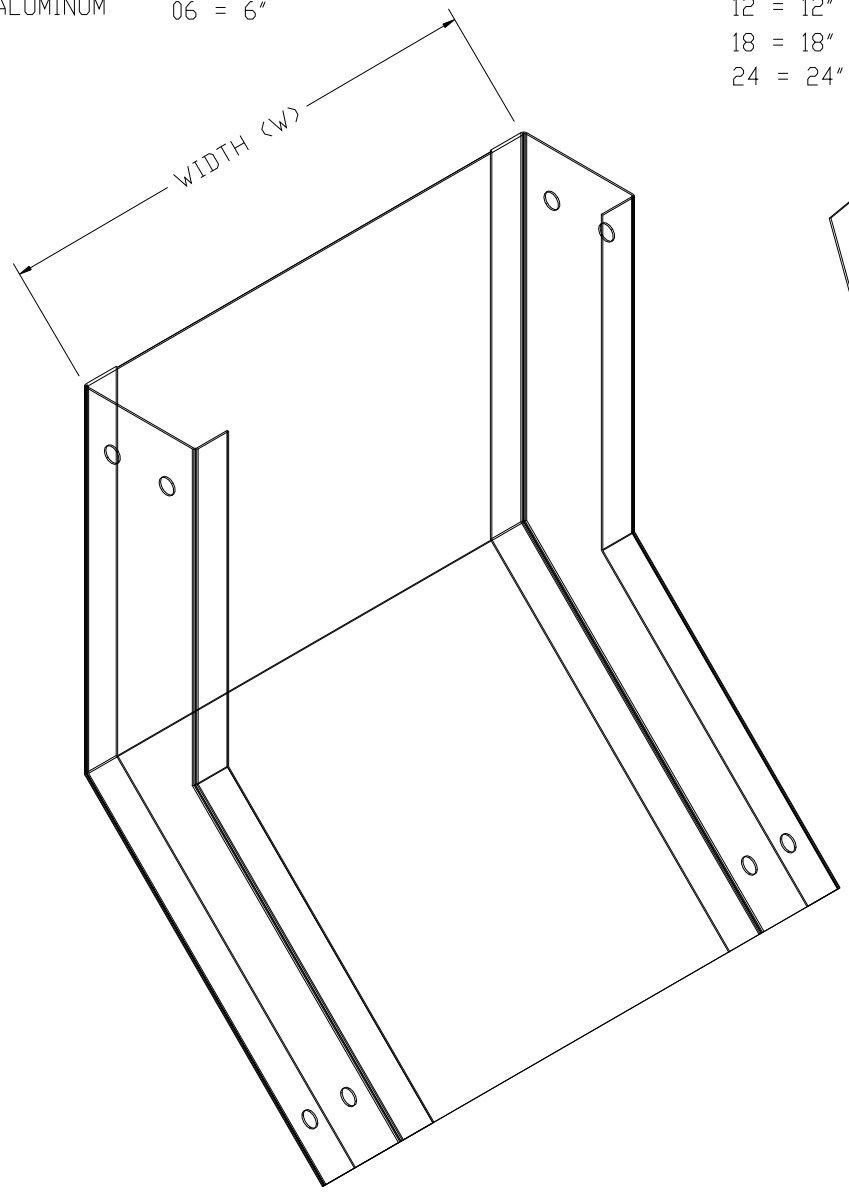
EXAMPLE: SB SERIES ALUMINUM, 4" HIGH, IVR90 - 24" WIDE, 12" RADIUS



MATERIAL	HEIGHT	FITTING TYPE	RADIUS	WIDTH	OPTIONAL COLOR
P = STEEL	03 = 3"	VERTICAL	12"	06 = 6"	* - COLOR
PRE-GALV.	04 = 4"	45 IVR		09 = 9"	
A = ALUMINUM	06 = 6"			12 = 12"	
				18 = 18"	
				24 = 24"	



SECTION VIEW



SB-M-COV-IV45-12-W  
 COVER. ORDER SEPARATELY.

ONE U-SPLICE PROVIDED WITH  
 EACH FITTING ORDERED.  
 SB-M-H-USP-W



**MONO-SYSTEMS, INC.**  
 UNIQUE CABLE DISTRIBUTION SOLUTIONS  
 4 INTERNATIONAL DRIVE  
 RYE BROOK, NEW YORK 10573  
 PHONE: (914)-934-2075  
 FAX: (914)-934-2190

MSI P/N: SB-M-H-IV90-12-W  
 SOLID BOTTOM IVR TROUGH

ORDERING DATA

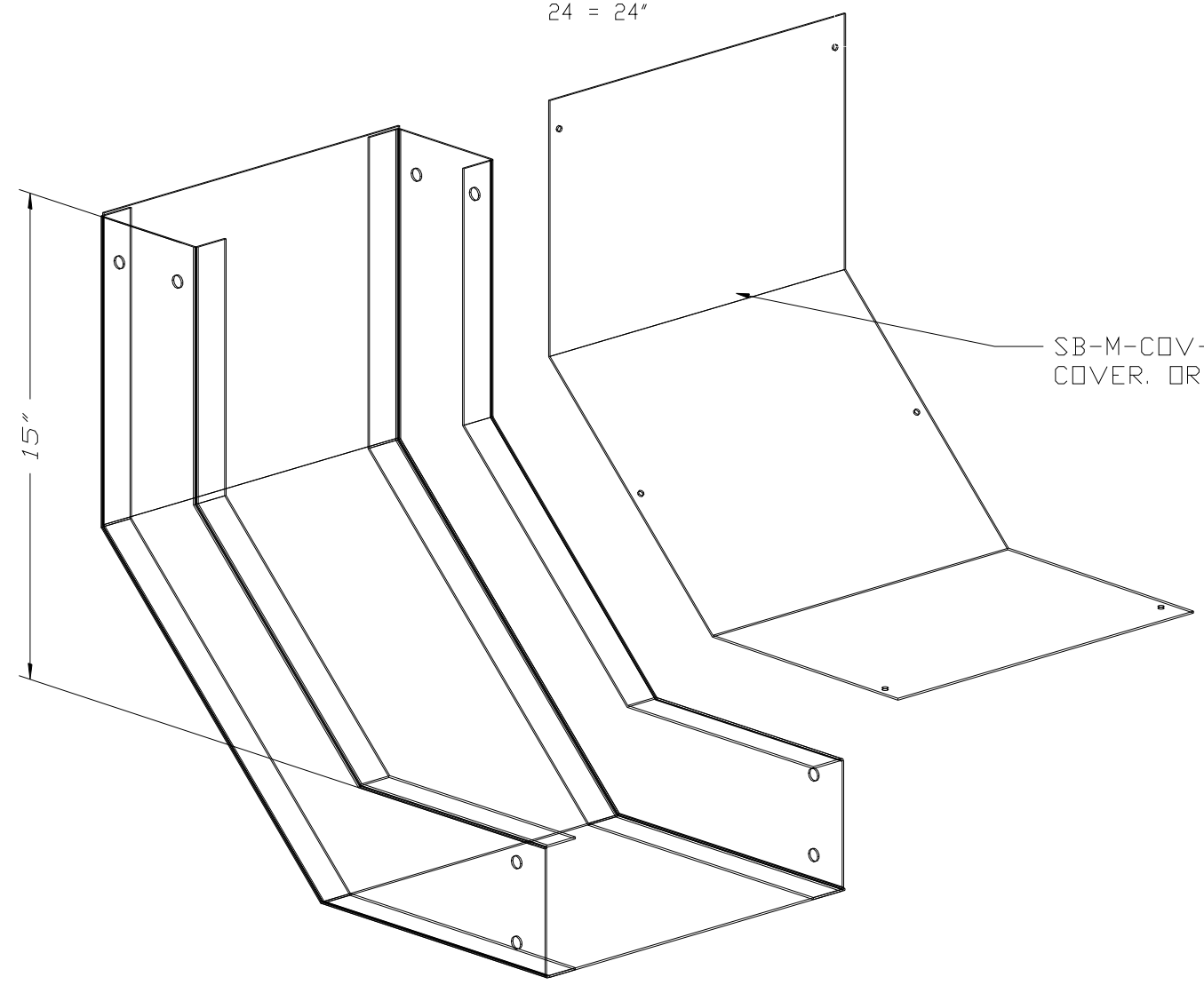
EXAMPLE: SB SERIES ALUMINUM, 4" HIGH, IVR90 - 24" WIDE, 12" RADIUS

SB A 04 - IV90 - 12 - 24 - P \*

MATERIAL	HEIGHT	FITTING TYPE	RADIUS	WIDTH	OPTIONAL COLOR
P = STEEL	03 = 3"	HORIZONTAL	12"	06 = 6"	* - COLOR
PRE-GALV.	04 = 4"	90 IVR		09 = 9"	
A = ALUMINUM	05 = 5"			12 = 12"	
	06 = 6"			18 = 18"	
				24 = 24"	



SECTION VIEW



ONE U-SPLICE PROVIDED WITH EACH FITTING ORDERED.  
 SB-M-H-USP-W



**MONO-SYSTEMS, INC.**  
 UNIQUE CABLE DISTRIBUTION SOLUTIONS  
 4 INTERNATIONAL DRIVE  
 RYE BROOK, NEW YORK 10573  
 PHONE: (914)-934-2075  
 FAX: (914)-934-2190

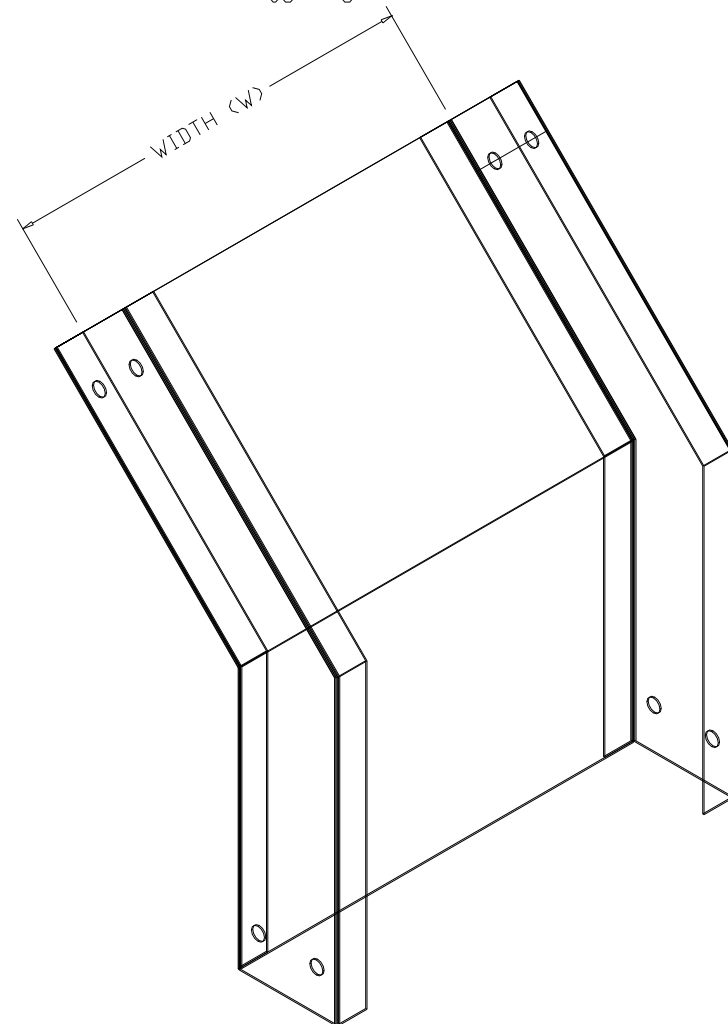
MSI P/N: SB-M-H-0V45-12-W  
 SOLID BOTTOM OVR TROUGH

ORDERING DATA

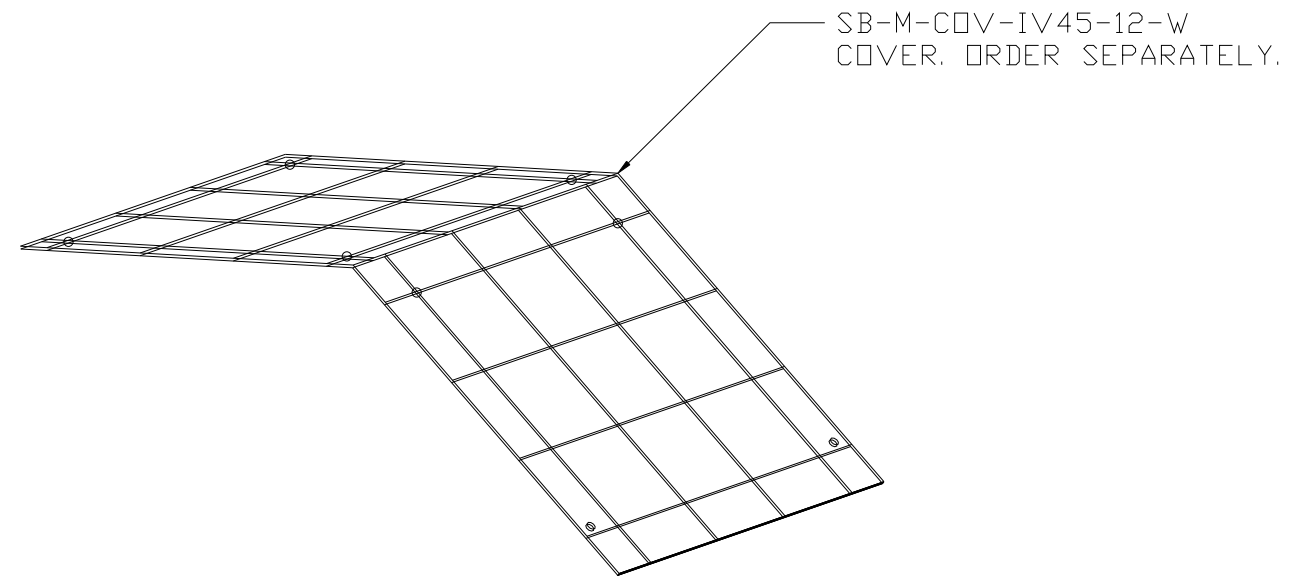
EXAMPLE: SB SERIES ALUMINUM, 4" HIGH, IVR90 - 24" WIDE, 12" RADIUS

SB A 04 - 0V45 - 12 - 24 - P \*

MATERIAL	HEIGHT	FITTING TYPE	RADIUS	WIDTH	OPTIONAL COLOR
P = STEEL	03 = 3"	VERTICAL	12"	06 = 6"	* - COLOR
PRE-GALV.	04 = 4"	45 OVR		09 = 9"	
A = ALUMINUM	06 = 6"			12 = 12"	
				18 = 18"	
				24 = 24"	



SECTION VIEW



ONE U-SPLICE PROVIDED WITH EACH FITTING ORDERED.  
 SB-M-H-USP-W

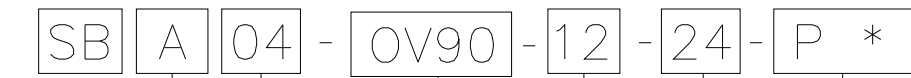
MSI P/N: SB-M-H-OV90-12-W

SOLID BOTTOM OVR ALUMINUM

ORDERING DATA

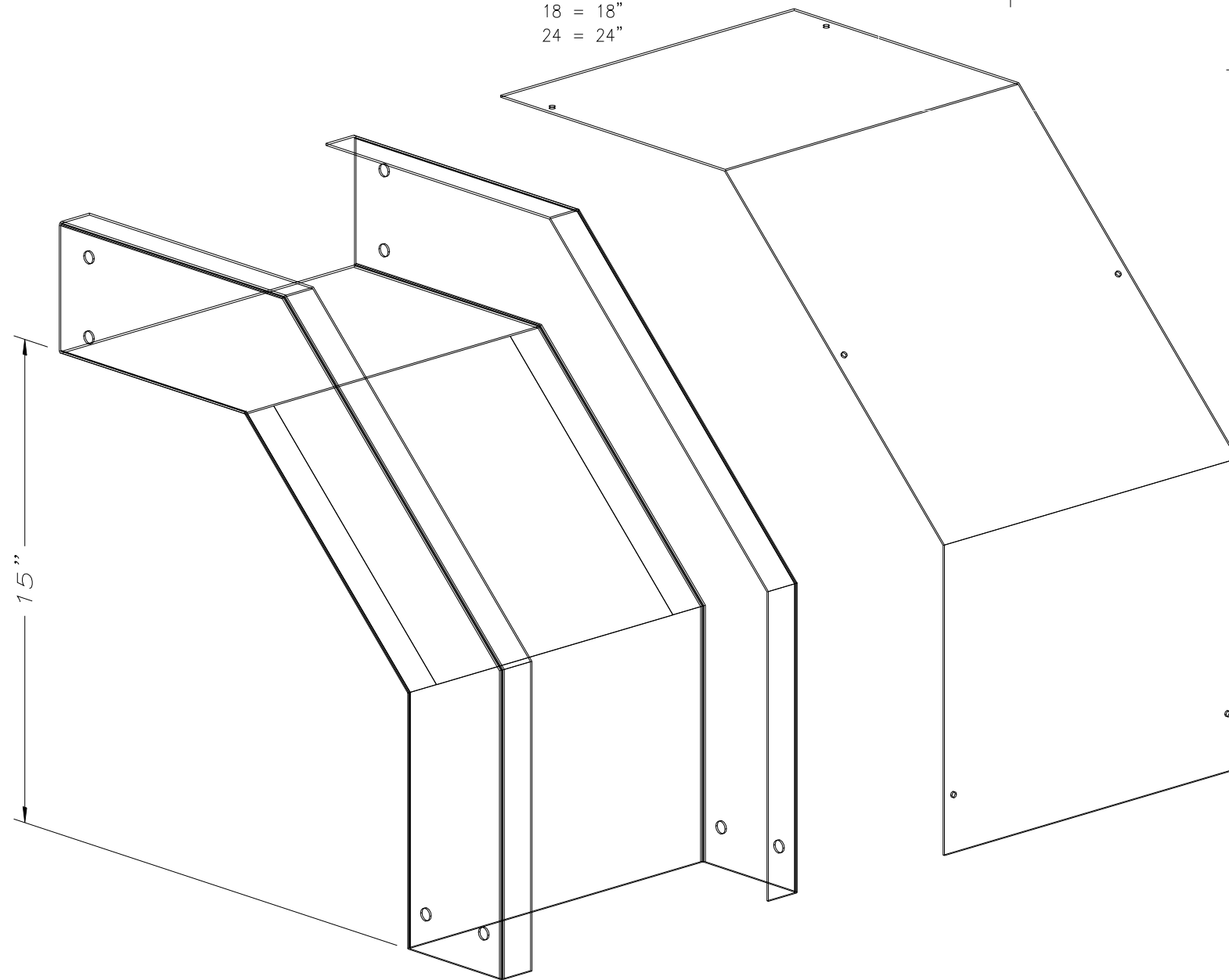
EXAMPLE: SB SERIES ALUMINUM, 4" HIGH, OVR90 - 24" WIDE, 12" RADIUS

MATERIAL	HEIGHT	FITTING TYPE	RADIUS	WIDTH	OPTIONAL COLOR
P = STEEL PRE-GALV.	03 = 3" 04 = 4"	HORIZONTAL 90 OVR	12"	06 = 6" 09 = 9" 12 = 12" 18 = 18" 24 = 24"	* - COLOR EX. BELOW * = G = PAINT GREY * = B = PAINT BLACK
A = ALUMINUM	06 = 6"				



SECTION VIEW

ONE U-SPLICE PROVIDED WITH EACH FITTING ORDERED.  
(SB-M-H-USP-W)



SB-M-COV-OV90-12-W  
COVER. ORDER SEPARATELY.



**MONO-SYSTEMS, INC.**  
UNIQUE CABLE DISTRIBUTION SOLUTIONS  
4 INTERNATIONAL DRIVE  
RYE BROOK, NEW YORK 10573  
PHONE: (914)-934-2075  
FAX: (914)-934-2190