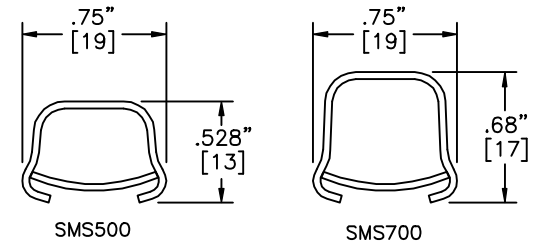


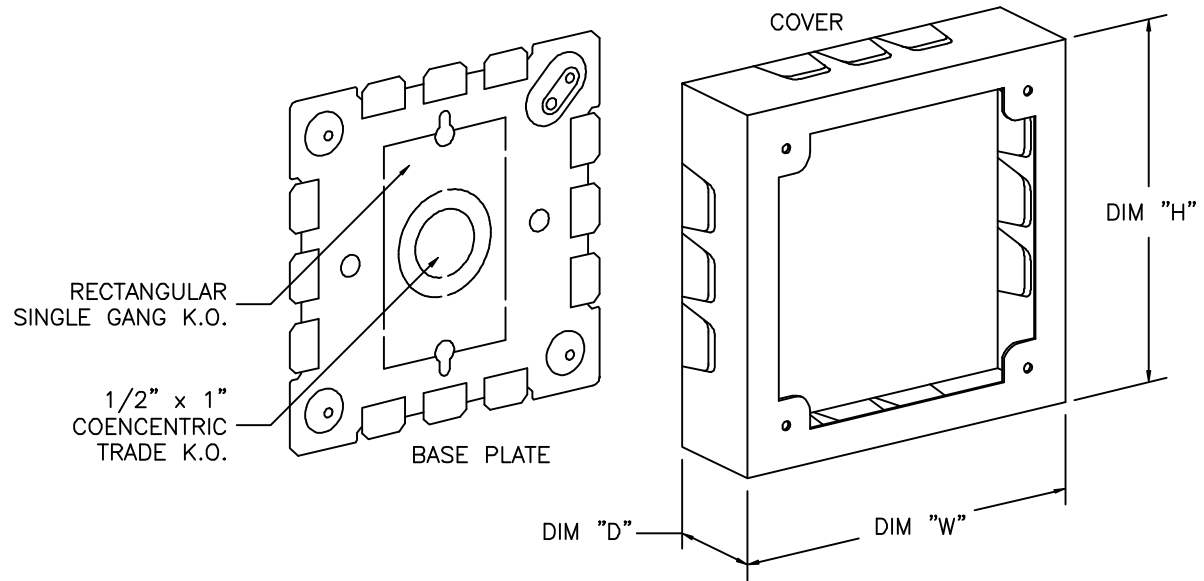
# SnapMark™

## SMS500 & SMS700 Series

ALARM BOXES  
 FOR USE WITH SMS500 AND SMS700 RACEWAYS  
 MATERIAL: STEEL – GALV / IVORY OR RED FINISH



**SMS500 & SMS700 SERIES**  
 STEEL RACEWAYS  
 SECTION VIEW  
 MATERIAL: .04" GALV.  
 STANDARD IVORY FINISH  
 EACH ORDERED SEPARATELY  
 SCALE: NONE



MSI P/N:	DESCRIPTION	DIM "D"	DIM "W"	DIM "H"	CAPACITY (C.I.)
SMS5752	ALARM DEVICE BOX - IVORY	1-3/8"	4-11/16"	4-11/16"	30
SMS5752-R	ALARM DEVICE BOX - RED	1-3/8"	4-11/16"	4-11/16"	30
SMS5753	ALARM DEVICE BOX - IVORY	2-3/4"	4-11/16"	4-11/16"	60
SMS5753-R	ALARM DEVICE BOX - RED	2-3/4"	4-11/16"	4-11/16"	60

- A.) USE FOR SURFACE MOUNTING OF ALARM AND SAFETY SIGNALS THAT ARE DESIGNED TO FIT 4" SQUARE BACK BOXES.
- B.) 10-32 GROUND SCREW PROVIDED.

### ASSEMBLY INSTRUCTIONS

1. REMOVE APPROPRIATE RACEWAY K.O. FROM COVER.
2. SLIDE RACEWAY SECTIONS OVER APPROPRIATE TABS ON BASE PLATE.
3. SECURE BASE PLATE TO MOUNTING SURFACE USING APPROPRIATE HARDWARE. (BY OTHERS)
4. TERMINATE WIRING PER NEC AND LOCAL CODES.
5. ATTACH COVER TO BASE PLATE USING PROVIDED NO. 6 HARDWARE.

FILENAME: SMS57-AB

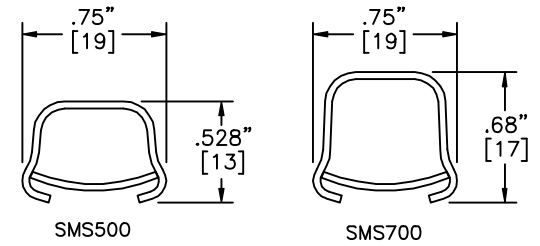
[www.monosystems.com](http://www.monosystems.com)

**MONO-SYSTEMS, INC.**  
 UNIQUE CABLE DISTRIBUTION SOLUTIONS  
 4 INTERNATIONAL DRIVE  
 RYE BROOK, NEW YORK 10573  
 PHONE: (914)-934-2075  
 FAX: (914)-934-2190

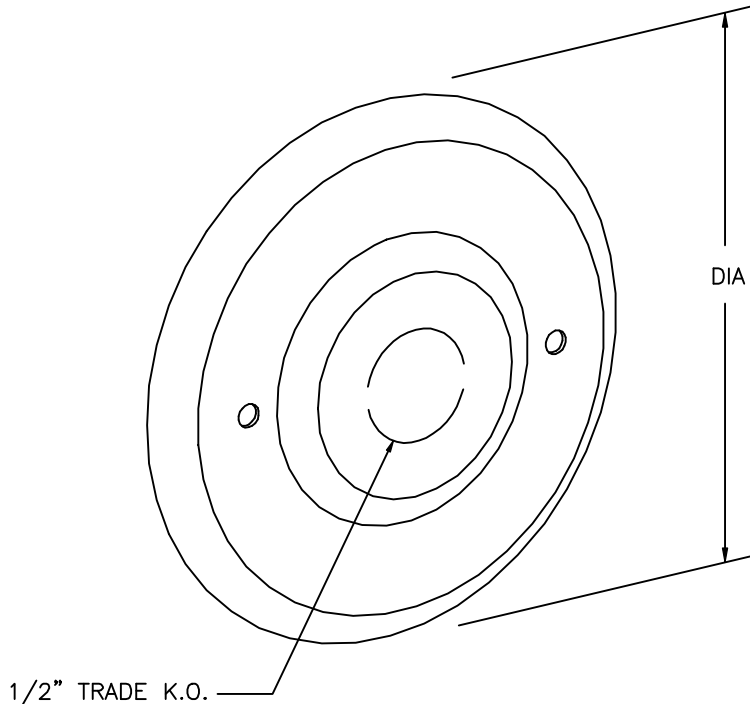
# SnapMark™

## SMS500 & SMS700 Series

BLANK COVERS  
 FOR USE WITH SMS500 AND SMS700 RACEWAYS  
 MATERIAL: STEEL – GALV / IVORY FINISH



**SMS500 & SMS700 SERIES**  
 STEEL RACEWAYS  
 SECTION VIEW  
 MATERIAL: .04" GALV.  
 STANDARD IVORY FINISH  
 EACH ORDERED SEPARATELY  
 SCALE: NONE



MSI P/N:	DESCRIPTION	DIA	DEPTH
SMS5731	BLANK COVER FOR SMS5733	3"	1/4"
SMS5736	BLANK COVER FOR SMS5735 * SMS5737 * SMS5737A * SMS5738 * SMS5738A * SMS5739 * SMS5739A * SMS2135	4-3/8"	7/16"


- A.) USE FOR CONVERTING ROUND FIXTURE BOXES INTO PULL OR JUNCTION BOXES.
- B.) CAN BE USED WITH ROUND FIXTURE BOXES TO HANG LIGHT WEIGHT PENDANT FIXTURES WITH 1/2" PIPE STEMS.

ASSEMBLY INSTRUCTIONS

1. ATTACH BLANK COVER TO FIXTURE BOX COVER USING PROVIDED HARDWARE.

FILENAME: SMS57-BC

[www.monosystems.com](http://www.monosystems.com)

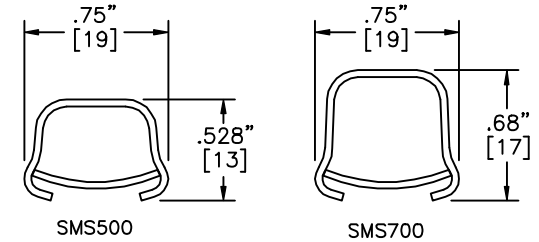
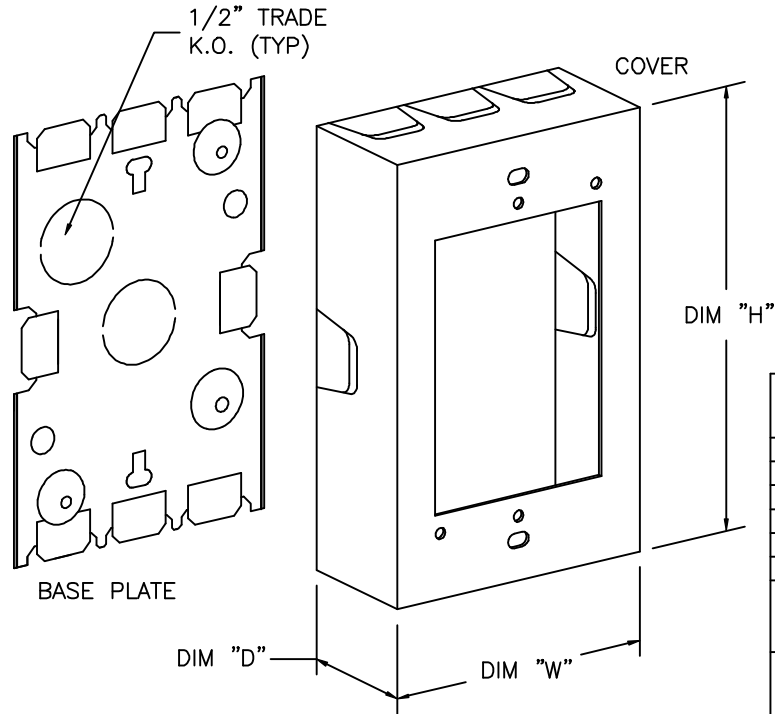


**MONO-SYSTEMS, INC.**  
 UNIQUE CABLE DISTRIBUTION SOLUTIONS  
 4 INTERNATIONAL DRIVE  
 RYE BROOK, NEW YORK 10573  
 PHONE: (914)-934-2075  
 FAX: (914)-934-2190

# SnapMark™

## SMS500 & SMS700 Series

DEVICE BOXES  
FOR USE WITH SMS500 AND SMS700 RACEWAYS  
MATERIAL: STEEL – GALV / IVORY FINISH



**SMS500 & SMS700 SERIES**  
STEEL RACEWAYS  
SECTION VIEW  
MATERIAL: .04" GALV.  
STANDARD IVORY FINISH  
EACH ORDERED SEPARATELY  
SCALE: NONE

MSI P/N:	DESCRIPTION	DIM "D"	DIM "W"	DIM "H"	GANG	CAPACITY (C.I.)
SMS5744	EXTRA DEEP SWITCH & RECT BOX	2-3/4"	2-7/8"	4-5/8"	1	36
SMS5744-2	EXTRA DEEP SWITCH & RECT BOX	2-3/4"	4-3/4"	4-3/4"	2	62
SMS5744-3	EXTRA DEEP SWITCH & RECT BOX	2-3/4"	6-1/2"	4-5/8"	3	100
SMS5744S	DEEP SWITCH & RECT BOX	2-1/4"	2-7/8"	4-5/8"	1	30
SMS5744S-2	DEEP SWITCH & RECT BOX	2-1/4"	4-3/4"	4-3/4"	2	50
SMS5744S-3	DEEP SWITCH & RECT BOX	2-1/4"	6-1/2"	4-5/8"	3	67
SMS5741	SHALLOW SWITCH & RECT BOX WITH OFFSET RACEWAY TABS FOR MOUNTING NEXT TO INTERIOR TRIM.	1-3/8"	2-13/16"	4-5/8"	1	17
SMS5745	SHALLOW SWITCH & RECT BOX WITH K.O.'s ON COVER FOR CONNECTION TO 1/2" CONDUIT.	1-3/4"	2-7/8"	4-5/8"	1	23
SMS5747	SHALLOW SWITCH & RECT BOX	1-3/8"	2-7/8"	4-5/8"	1	18
SMS5747-2	SHALLOW SWITCH & RECT BOX	1-3/8"	4-3/4"	4-3/4"	2	31
SMS5747-3	SHALLOW SWITCH & RECT BOX	1-3/8"	6-1/2"	4-5/8"	3	41
SMS5748	SWITCH AND RECT BDX	1-3/4"	2-7/8"	4-5/8"	1	23
SMS5748-2	SWITCH AND RECT BDX	1-3/4"	4-3/4"	4-3/4"	2	39
SMS5748-3	SWITCH AND RECT BDX	1-3/4"	6-1/2"	4-5/8"	3	52
SMS5748-4	SWITCH AND RECT BDX	1-3/4"	8-11/32"	4-5/8"	4	67
SMS5748-5	SWITCH AND RECT BDX	1-3/4"	10-5/32"	4-5/8"	5	82
SMS5748-6	SWITCH AND RECT BDX	1-3/4"	11-31/32"	4-5/8"	6	96
SMS5748S	EXTRA SHALLOW SWITCH AND RECT BOX	15/16"	2-7/8"	4-5/8"	1	12

- A.) FOR SWITCHES, RECEPTACLES AND COMBINATION DEVICES.  
B.) 10-32 GROUND SCREW PROVIDED.

### ASSEMBLY INSTRUCTIONS

1. REMOVE APPROPRIATE RACEWAY K.O. FROM COVER.
2. SLIDE RACEWAY SECTIONS OVER APPROPRIATE TABS ON BASE PLATE.
3. SECURE BASE PLATE TO MOUNTING SURFACE USING APPROPRIATE HARDWARE. (BY OTHERS)
4. TERMINATE WIRING PER NEC AND LOCAL CODES.
5. ATTACH COVER TO BASE PLATE USING PROVIDED NO. 6 HARDWARE.

FILENAME: SMS57-DB

[www.monosystems.com](http://www.monosystems.com)

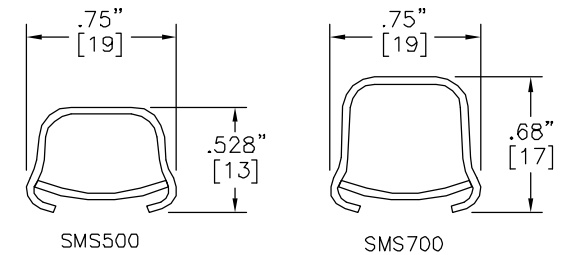
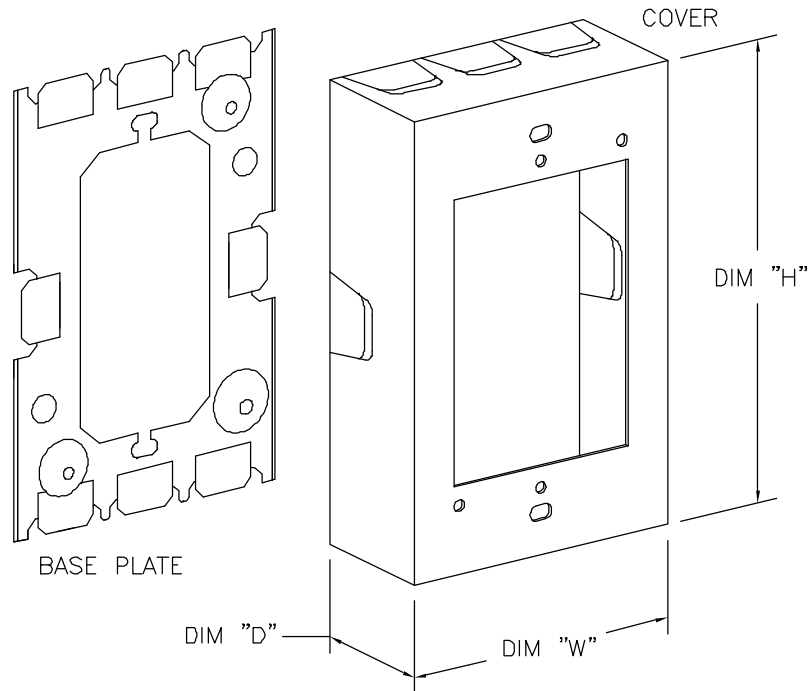


**MONO-SYSTEMS, INC.**  
UNIQUE CABLE DISTRIBUTION SOLUTIONS  
4 INTERNATIONAL DRIVE  
RYE BROOK, NEW YORK 10573  
PHONE: (914)-934-2075  
FAX: (914)-934-2190

# SnapMark™

## SMS500 & SMS700 Series

DEVICE BOX EXTENSIONS  
 FOR USE WITH SMS500 AND SMS700 RACEWAYS  
 MATERIAL: STEEL – GALV / IVORY FINISH



SMS500                      SMS700

**SMS500 & SMS700 SERIES**  
 STEEL RACEWAYS  
 SECTION VIEW  
 MATERIAL: .04" GALV.  
 STANDARD IVORY FINISH  
 EACH ORDERED SEPARATELY  
 SCALE: NONE

- A.) FOR EXTENSIONS FROM EXISTING FLUSH SWITCH AND RECEPTACLE BOXES.
- B.) 10–32 GROUND SCREW PROVIDED.

### ASSEMBLY INSTRUCTIONS

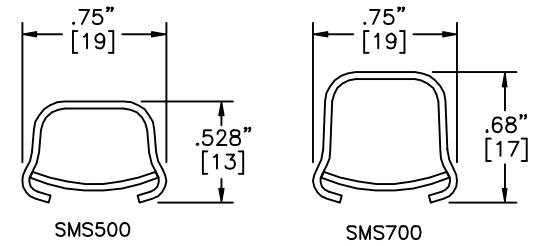
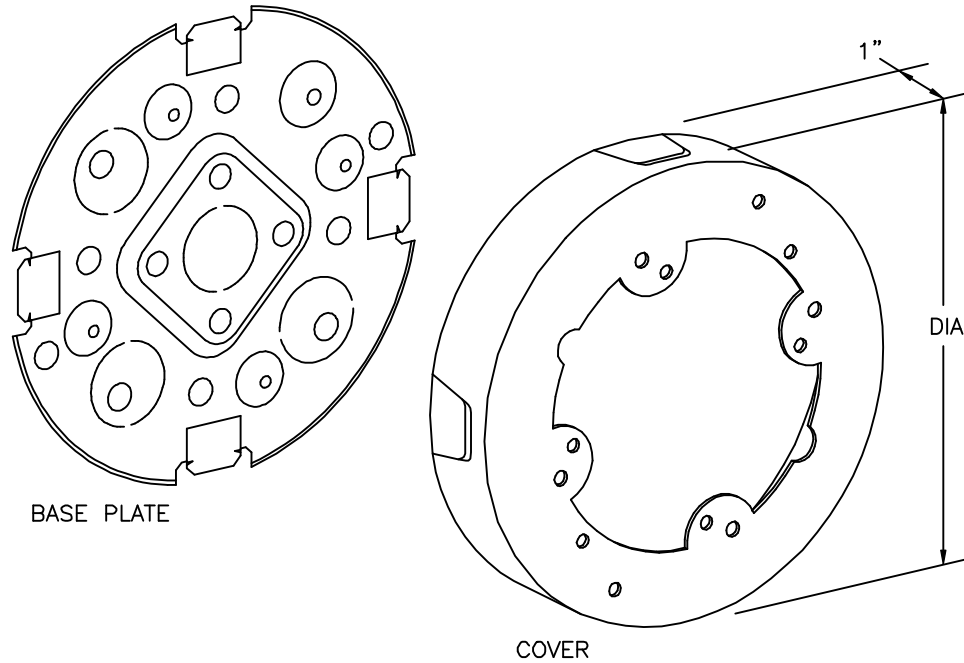
1. REMOVE APPROPRIATE RACEWAY K.O. FROM COVER.
2. SLIDE RACEWAY SECTIONS OVER APPROPRIATE TABS ON BASE PLATE.
3. SECURE BASE PLATE TO MOUNTING SURFACE USING APPROPRIATE HARDWARE. (BY OTHERS)
4. TERMINATE WIRING PER NEC AND LOCAL CODES.
5. ATTACH COVER TO BASE PLATE USING PROVIDED NO. 6 HARDWARE.

MSI P/N:	DESCRIPTION	DIM "D"	DIM "W"	DIM "H"	GANG	CAPACITY (C.I.)
SMS5751	FLUSH TYPE EXTENSION ADAPTER	15/16"	2-7/8"	4-5/8"	1	12
SMS5751A	DEEP FLUSH TYPE EXTENSION ADAPTER	1-3/4"	2-7/8"	4-5/8"	1	23
SMS5751-2	FLUSH TYPE EXTENSION ADAPTER	15/16"	4-3/4"	4-3/4"	2	21
SMS5751-3	FLUSH TYPE EXTENSION ADAPTER	15/16"	6-1/2"	4-5/8"	3	28
SMS5760	FLUSH TYPE EXTENSION ADAPTER WITH BLANK COVER FOR DEVICE ABANDONMENT OR JUNCTION.	15/16"	2-7/8"	4-5/8"	1	12



**SnapMark™**  
**SMS500 & SMS700 Series**

**ROUND FIXTURE BOXES**  
 FOR USE WITH SMS500 AND SMS700 RACEWAYS  
 MATERIAL: STEEL – GALV / IVORY FINISH



**SMS500 & SMS700 SERIES**  
 STEEL RACEWAYS  
 SECTION VIEW  
 MATERIAL: .04" GALV.  
 STANDARD IVORY FINISH  
 EACH ORDERED SEPARATELY  
 SCALE: NONE

- A.) USE FOR HANGING FIXTURES WITH MOUNTING CENTERS OF 2-3/4, 3-1/2 AND 4-1/16 INCHES.
- B.) BASE HAS FOUR HOLES FOR FIXTURE STUDS AND FIVE 1/2" TRADE SIZE K.O.s.
- C.) NOT FOR USE WITH CEILING FANS.
- D.) 10-32 GROUND SCREW PROVIDED.

ASSEMBLY INSTRUCTIONS

1. REMOVE APPROPRIATE RACEWAY K.O. FROM COVER.
2. SLIDE RACEWAY SECTIONS OVER APPROPRIATE TABS ON BASE PLATE.
3. SECURE BASE PLATE TO MOUNTING SURFACE USING APPROPRIATE HARDWARE. (BY OTHERS)
4. TERMINATE WIRING PER NEC AND LOCAL CODES.
5. ATTACH COVER TO BASE PLATE USING PROVIDED NO. 6 HARDWARE.

MSI P/N:	DESCRIPTION		CAPACITY (C.I.)
SMS5738	FIXTURE BOX - 1" DEEP	4-3/4"	17
SMS5738A	FIXTURE BOX - 1" DEEP	5-1/2"	23
SMS5739	FIXTURE BOX - 1" DEEP	6-3/8"	31

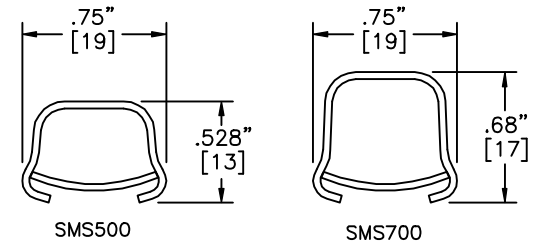
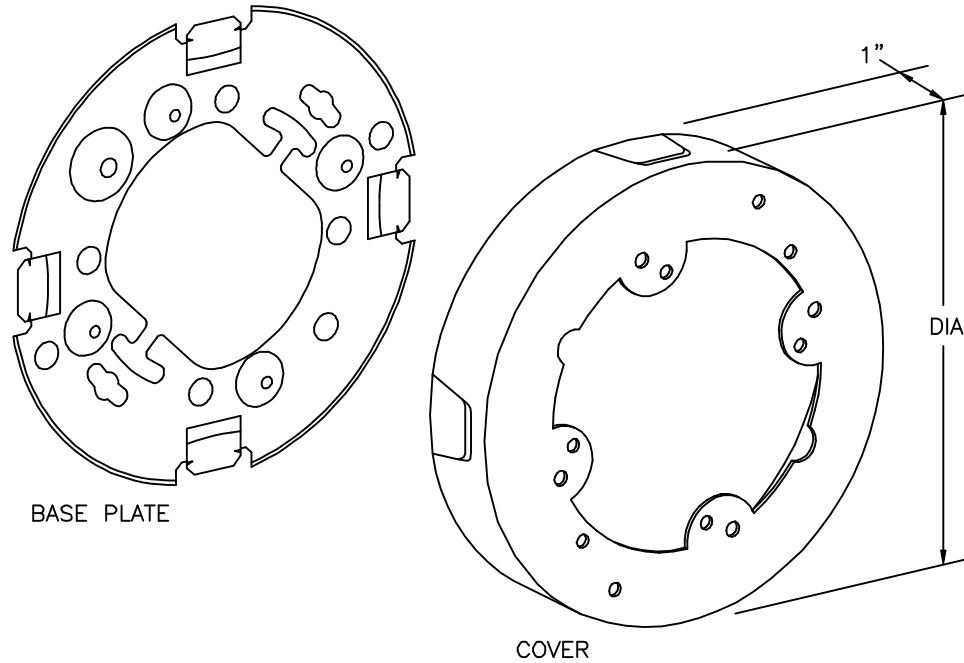
FILENAME: SMS57-FB

[www.monosystems.com](http://www.monosystems.com)

**MONO-SYSTEMS, INC.**  
 UNIQUE CABLE DISTRIBUTION SOLUTIONS  
 4 INTERNATIONAL DRIVE  
 RYE BROOK, NEW YORK 10573  
 PHONE: (914)-934-2075  
 FAX: (914)-934-2190

**SnapMark™**  
**SMS500 & SMS700 Series**

ROUND FIXTURE BOX EXTENSIONS  
 FOR USE WITH SMS500 AND SMS700 RACEWAYS  
 MATERIAL: STEEL – GALV / IVORY FINISH



**SMS500 & SMS700 SERIES**  
 STEEL RACEWAYS  
 SECTION VIEW  
 MATERIAL: .04" GALV.  
 STANDARD IVORY FINISH  
 EACH ORDERED SEPARATELY  
 SCALE: NONE

MSI P/N:	DESCRIPTION	DIA	CAPACITY (C.I.)
SMS5737	FIXTURE BOX EXTENSION	4-3/4"	17
SMS5737A	FIXTURE BOX EXTENSION	5-1/2"	23
SMS5739A	FIXTURE BOX EXTENSION	6-3/8"	31

- A.) USE FOR MOUNTING ON 3-1/4" OR 4" CONDUIT BOXES OR OTHER RECESSED OUTLETS.
- B.) USE FOR HANGING FIXTURES WITH MOUNTING CENTERS OF 2-3/4, 3-1/2 AND 4-1/16 INCHES.
- C.) NOT FOR USE WITH CEILING FANS.
- D.) 10-32 GROUND SCREW PROVIDED.

ASSEMBLY INSTRUCTIONS

1. REMOVE APPROPRIATE RACEWAY K.O. FROM COVER.
2. SLIDE RACEWAY SECTIONS OVER APPROPRIATE TABS ON BASE PLATE.
3. SECURE BASE PLATE TO MOUNTING SURFACE USING APPROPRIATE HARDWARE. (BY OTHERS)
4. TERMINATE WIRING PER NEC AND LOCAL CODES.
5. ATTACH COVER TO BASE PLATE USING PROVIDED NO. 6 HARDWARE.

FILENAME: SMS57-FBE

[www.monosystems.com](http://www.monosystems.com)

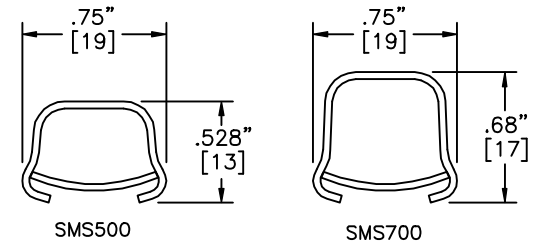


**MONO-SYSTEMS, INC.**  
 UNIQUE CABLE DISTRIBUTION SOLUTIONS  
 4 INTERNATIONAL DRIVE  
 RYE BROOK, NEW YORK 10573  
 PHONE: (914)-934-2075  
 FAX: (914)-934-2190

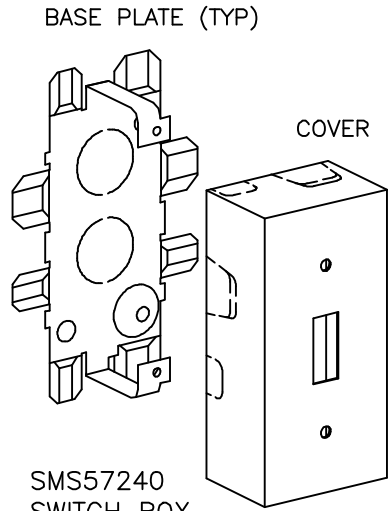
# SnapMark™

## SMS500 & SMS700 Series

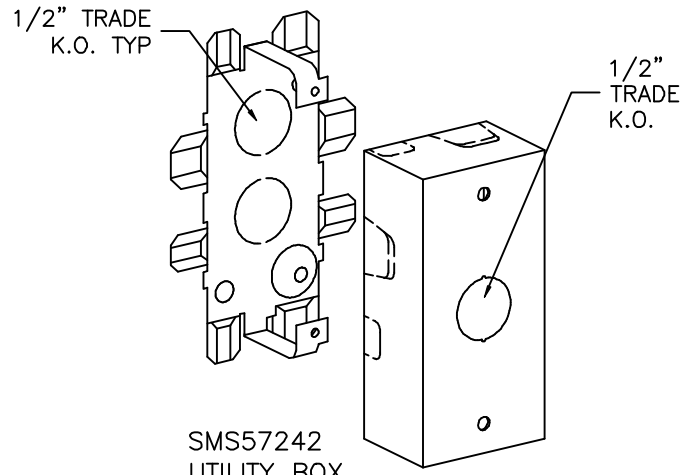
SPECIALTY BOXES  
 FOR USE WITH SMS500 AND SMS700 RACEWAYS  
 MATERIAL: STEEL – GALV / IVORY FINISH



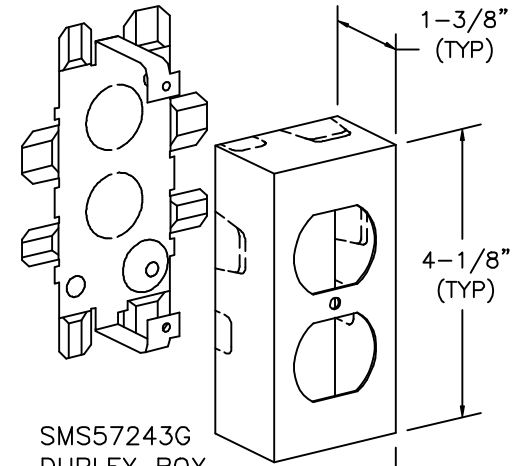
**SMS500 & SMS700 SERIES**  
 STEEL RACEWAYS  
 SECTION VIEW  
 MATERIAL: .04" GALV.  
 STANDARD IVORY FINISH  
 EACH ORDERED SEPARATELY  
 SCALE: NONE



SMS57240  
 SWITCH BOX  
 11 C.I. CAPACITY  
 (15A DEV. MAX)



SMS57242  
 UTILITY BOX  
 11 C.I. CAPACITY



SMS57243G  
 DUPLEX BOX  
 11 C.I. CAPACITY  
 (15A DEV. MAX)

### ASSEMBLY INSTRUCTIONS

1. REMOVE APPROPRIATE RACEWAY K.O. FROM COVER.
2. REMOVE ALL UNUSED MOUNTING TABS ON BASE PLATE.
3. SLIDE RACEWAY SECTIONS OVER APPROPRIATE TABS ON BASE PLATE.
4. SECURE BASE PLATE TO MOUNTING SURFACE USING APPROPRIATE HARDWARE. (BY OTHERS)
5. TERMINATE WIRING PER NEC AND LOCAL CODES.
6. ATTACH COVER TO BASE PLATE USING PROVIDED NO. 6 HARDWARE.

FILENAME: SMS57-SB

[www.monosystems.com](http://www.monosystems.com)

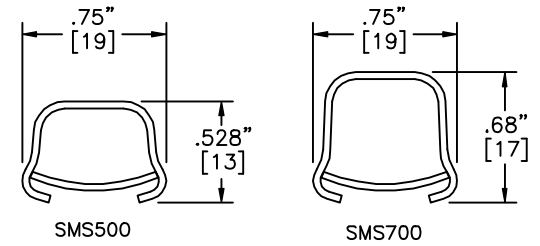


**MONO-SYSTEMS, INC.**  
 UNIQUE CABLE DISTRIBUTION SOLUTIONS  
 4 INTERNATIONAL DRIVE  
 RYE BROOK, NEW YORK 10573  
 PHONE: (914)-934-2075  
 FAX: (914)-934-2190

**SnapMark™**  
**SMS500 & SMS700 Series**

**BUSHING**

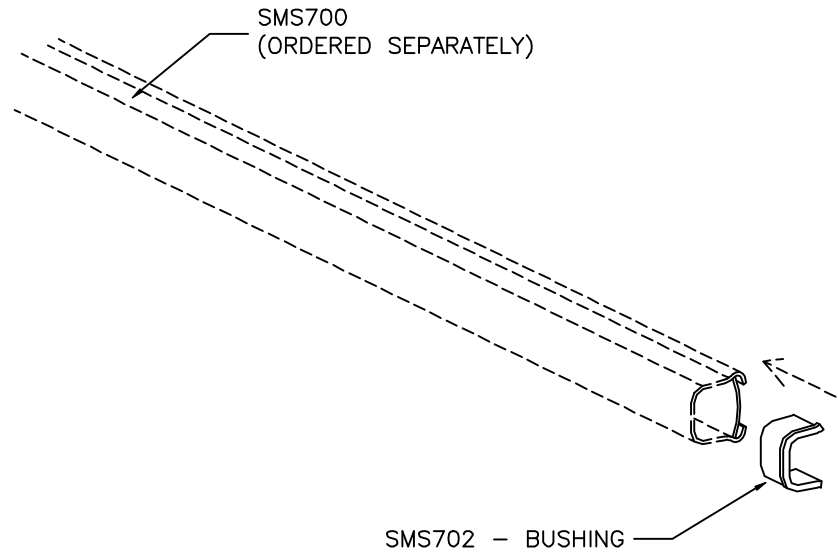
SMS502 FOR USE WITH SMS500  
 SMS702 FOR USE WITH SMS700



**SMS500 & SMS700 SERIES**  
 STEEL RACEWAYS  
 SECTION VIEW  
 MATERIAL: .04" GALV.  
 STANDARD IVORY FINISH  
 EACH ORDERED SEPARATELY  
 SCALE: NONE



SMS702  
 BUSHING



- A.) USE TO PROTECT CONDUCTORS FROM ABRASION.
- B.) ALL EXPOSED RACEWAY / FITTING SURFACES ARE PRE-PAINTED IVORY.

ASSEMBLY INSTRUCTIONS

1. INSERT BUSHING INTO OPEN END OF RACEWAY AT ENTRANCES TO ALL FITTINGS.

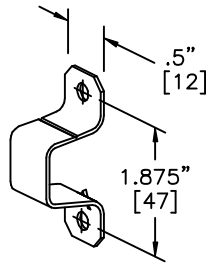


**MONO-SYSTEMS, INC.**  
 UNIQUE CABLE DISTRIBUTION SOLUTIONS  
 4 INTERNATIONAL DRIVE  
 RYE BROOK, NEW YORK 10573  
 PHONE: (914)-934-2075  
 FAX: (914)-934-2190

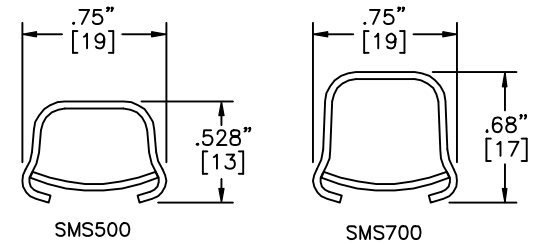
**SnapMark™**  
**SMS500 & SMS700 Series**

**MOUNTING STRAP**

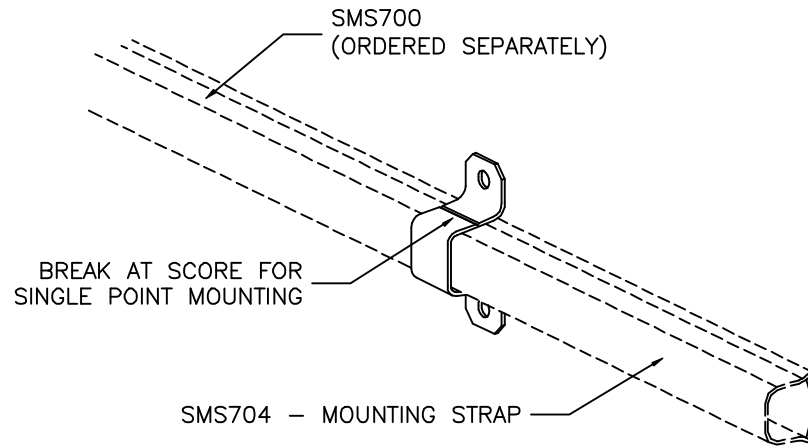
SMS504 FOR USE WITH SMS500  
 SMS704 FOR USE WITH SMS700



SMS704  
 MOUNTING STRAP



**SMS500 & SMS700 SERIES**  
 STEEL RACEWAYS  
 SECTION VIEW  
 MATERIAL: .04" GALV.  
 STANDARD IVORY FINISH  
 EACH ORDERED SEPARATELY  
 SCALE: NONE



- A.) FOR SUPPORTING RACEWAY ON WALL AND CEILING SURFACES.
- B.) CAN ALSO BE USED AS A SINGLE POINT STRAP BY BREAKING AT SCORE.
- C.) ALL EXPOSED RACEWAY / FITTING SURFACES ARE PRE-PAINTED IVORY.

**ASSEMBLY INSTRUCTIONS**

1. ATTACH CLIPS OVER RACEWAY TO MOUNTING SURFACE EVERY 2'-6" USING NO. 8 SCREWS. (BY OTHERS)

FILENAME: SMS504-704

[www.monosystems.com](http://www.monosystems.com)

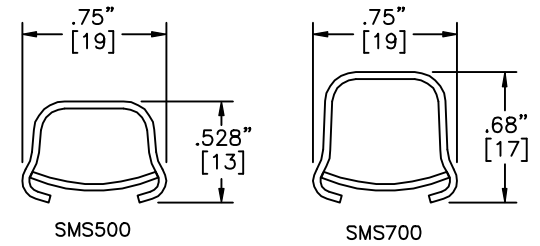


**MONO-SYSTEMS, INC.**  
 UNIQUE CABLE DISTRIBUTION SOLUTIONS  
 4 INTERNATIONAL DRIVE  
 RYE BROOK, NEW YORK 10573  
 PHONE: (914)-934-2075  
 FAX: (914)-934-2190

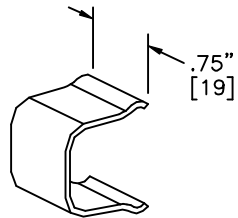
**SnapMark™**  
**SMS500 & SMS700 Series**

**CONNECTION COVER**

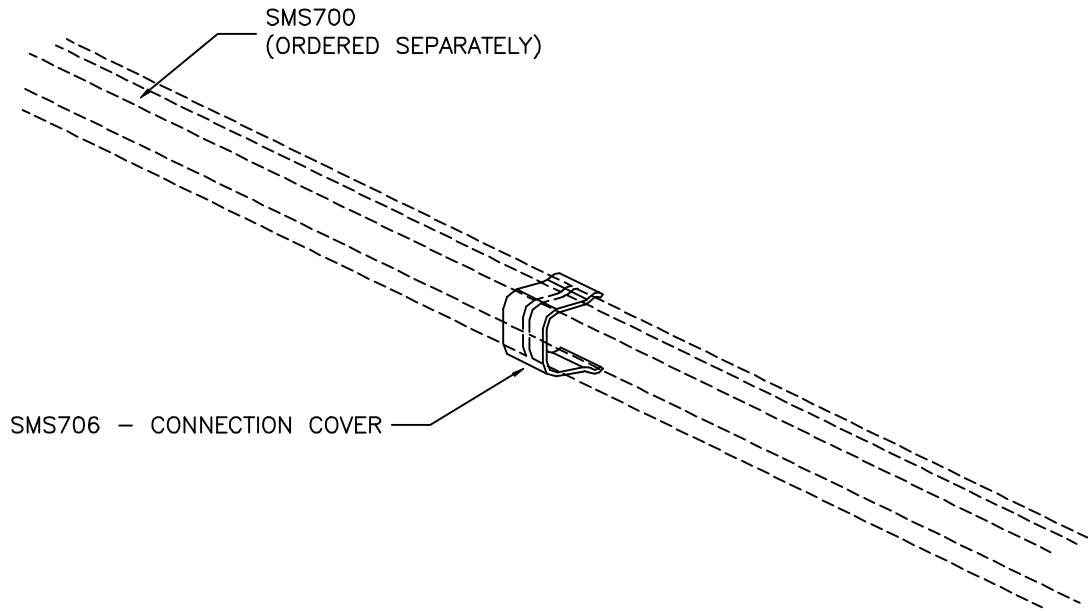
SMS506 FOR USE WITH SMS500  
 SMS706 FOR USE WITH SMS700



**SMS500 & SMS700 SERIES**  
 STEEL RACEWAYS  
 SECTION VIEW  
 MATERIAL: .04" GALV.  
 STANDARD IVORY FINISH  
 EACH ORDERED SEPARATELY  
 SCALE: NONE



SMS706  
 CONNECTION COVER



- A.) USE TO COVER OPENINGS WHERE UNSQUARELY CUT RACEWAYS MEET.
- B.) ALL EXPOSED RACEWAY / FITTING SURFACES ARE PRE-PAINTED IVORY.

ASSEMBLY INSTRUCTIONS

1. SNAP OVER RACEWAYS AS SHOWN.

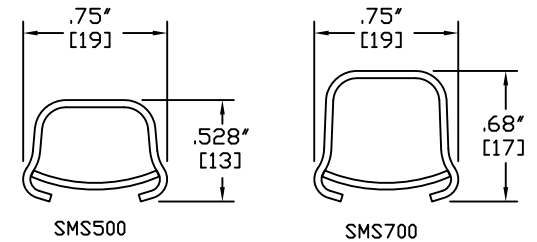


**MONO-SYSTEMS, INC.**  
 UNIQUE CABLE DISTRIBUTION SOLUTIONS  
 4 INTERNATIONAL DRIVE  
 RYE BROOK, NEW YORK 10573  
 PHONE: (914)-934-2075  
 FAX: (914)-934-2190

# SnapMark™

## SMS500 & SMS700 Series

RACEWAY BASE SECTIONS  
 SMS500 BASE - 10' [3m] LENGTH  
 SMS700 BASE - 10' [3m] LENGTH



**SMS500 & SMS700 SERIES**  
 STEEL RACEWAYS  
 SECTION VIEW  
 MATERIAL: .04" GALV.  
 STANDARD IVORY FINISH  
 EACH ORDERED SEPARATELY  
 SCALE: NONE

DATA/COMM. WIRE FILL CAPACITIES					
CABLE TYPE	CATEGORY/DESIGNATION	20% FILL		40% FILL	
		SMS500	SMS700	SMS500	SMS700
UNSHIELDED TWISTED PAIR	4-PAIR, 24 AWG Cat 5 UTP	1	1	2	3
	4-PAIR, 24 AWG Cat 3 UTP	1	1	3	4
TELEPHONE	2-PAIR, 24 AWG	2	3	5	6
	3-PAIR, 24 AWG	2	3	4	5
	4-PAIR, 24 AWG	1	1	3	3
COAXIAL	RG58/U	1	1	2	3
	RG59/U	1	1	1	2
	RG62/U	1	1	1	2
	RG6/U	0	0	1	1
TWINAXIAL	100 Ohm	0	0	1	1
SHIELDED TWISTED PAIR	TYPE 1	0	0	0	1
	TYPE 3	1	1	1	2

POWER WIRE FILL CAPACITY		
WIRE SIZE THHN/THWN	<40% FILL> SMS500 SMS700	
10 Awg	3	4
12 Awg	5	7
14 Awg	7	10

SMS5701 - COUPLING  
 (ONE PROVIDED PER SECTION)

SMS500  
 ONE PIECE RACEWAY

SMS700  
 ONE PIECE RACEWAY

A.) ALL EXPOSED RACEWAY / FITTING SURFACES ARE PRE-PAINTED IVORY.



### ASSEMBLY INSTRUCTIONS

1. RIGIDLY SECURE BASE SECTION TO STRUCTURAL BUILDING MEMBER OR WALL CONSTRUCTION AT 18" MAXIMUM MOUNTING CENTERS USING SUPPORT OR MOUNTING CLIPS. (ORDERED SEPARATELY) ENGINEER TO VERIFY FASTENERS & MOUNTING INTERVAL BASED ON MOUNTING SURFACE CONSTRUCTION. (HARDWARE BY OTHERS)



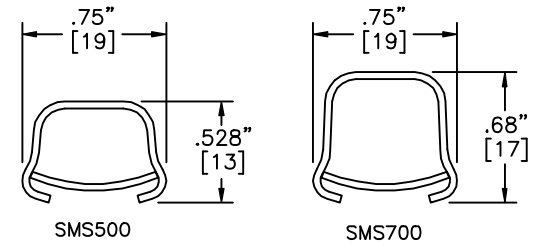
**MONO-SYSTEMS, INC.**  
 UNIQUE CABLE DISTRIBUTION SOLUTIONS  
 4 INTERNATIONAL DRIVE  
 RYE BROOK, NEW YORK 10573  
 PHONE: (914)-934-2075  
 FAX: (914)-934-2190

FILENAME: SMS5700

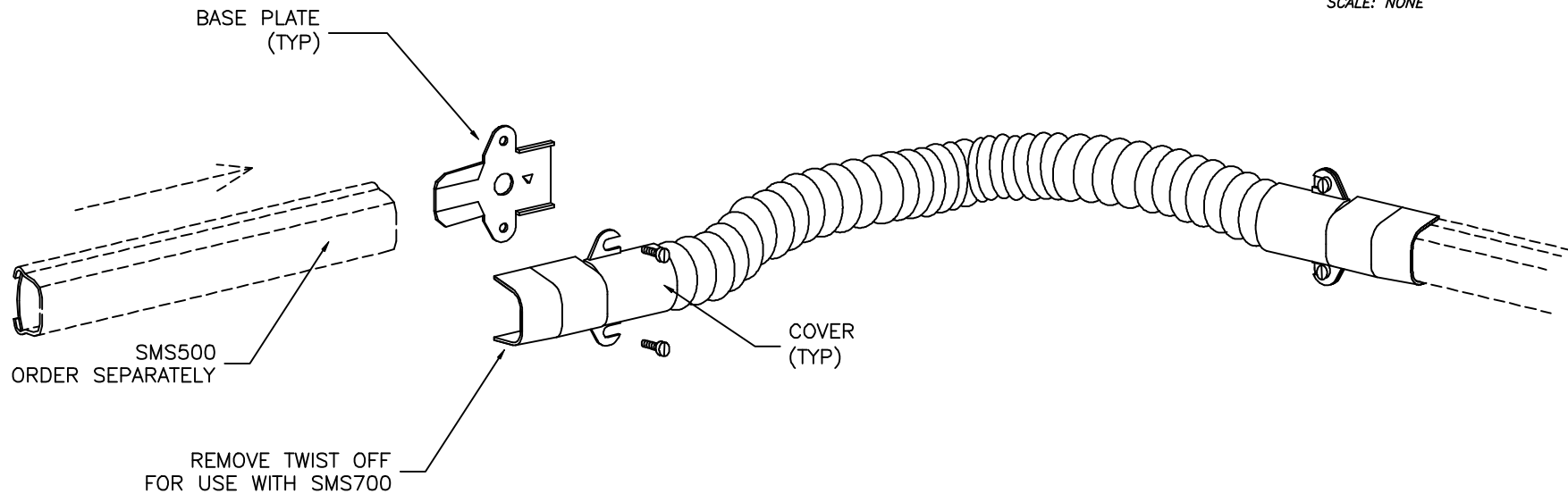
[www.monosystems.com](http://www.monosystems.com)

**SnapMark™**  
**SMS500 & SMS700 Series**

FLEXIBLE SECTION  
 SMS5700F  
 FOR USE WITH SMS500 AND SMS700 RACEWAYS  
 MATERIAL: STEEL – GALV / IVORY FINISH



**SMS500 & SMS700 SERIES**  
 STEEL RACEWAYS  
 SECTION VIEW  
 MATERIAL: .04" GALV.  
 STANDARD IVORY FINISH  
 EACH ORDERED SEPARATELY  
 SCALE: NONE



- A.) 18" OVERALL LENGTH.
- B.) USE FOR EASILY PROVIDING OFFSETS, SIDE BENDS AND TWISTED TURNS.
- C.) WILL ACCOMODATE FOR CURVED MOUNTING SURFACES.
- D.) SAME WIREFILL AS SMS500 AND SMS700.

ASSEMBLY INSTRUCTIONS

1. REMOVE INDICATED TWIST OUT FOR USE WITH SMS700.
2. SLIDE RACEWAY SECTIONS OVER APPROPRIATE TAB ON BASE PLATES.
3. SECURE COVER TO EACH BASE PLATE USING PROVIDED HARDWARE.
4. TERMINATE WIRING PER NEC AND LOCAL CODES.

FILENAME: SMS5700F

[www.monosystems.com](http://www.monosystems.com)

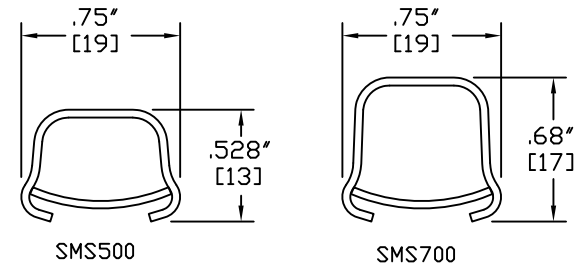


**MONO-SYSTEMS, INC.**  
 UNIQUE CABLE DISTRIBUTION SOLUTIONS  
 4 INTERNATIONAL DRIVE  
 RYE BROOK, NEW YORK 10573  
 PHONE: (914)-934-2075  
 FAX: (914)-934-2190

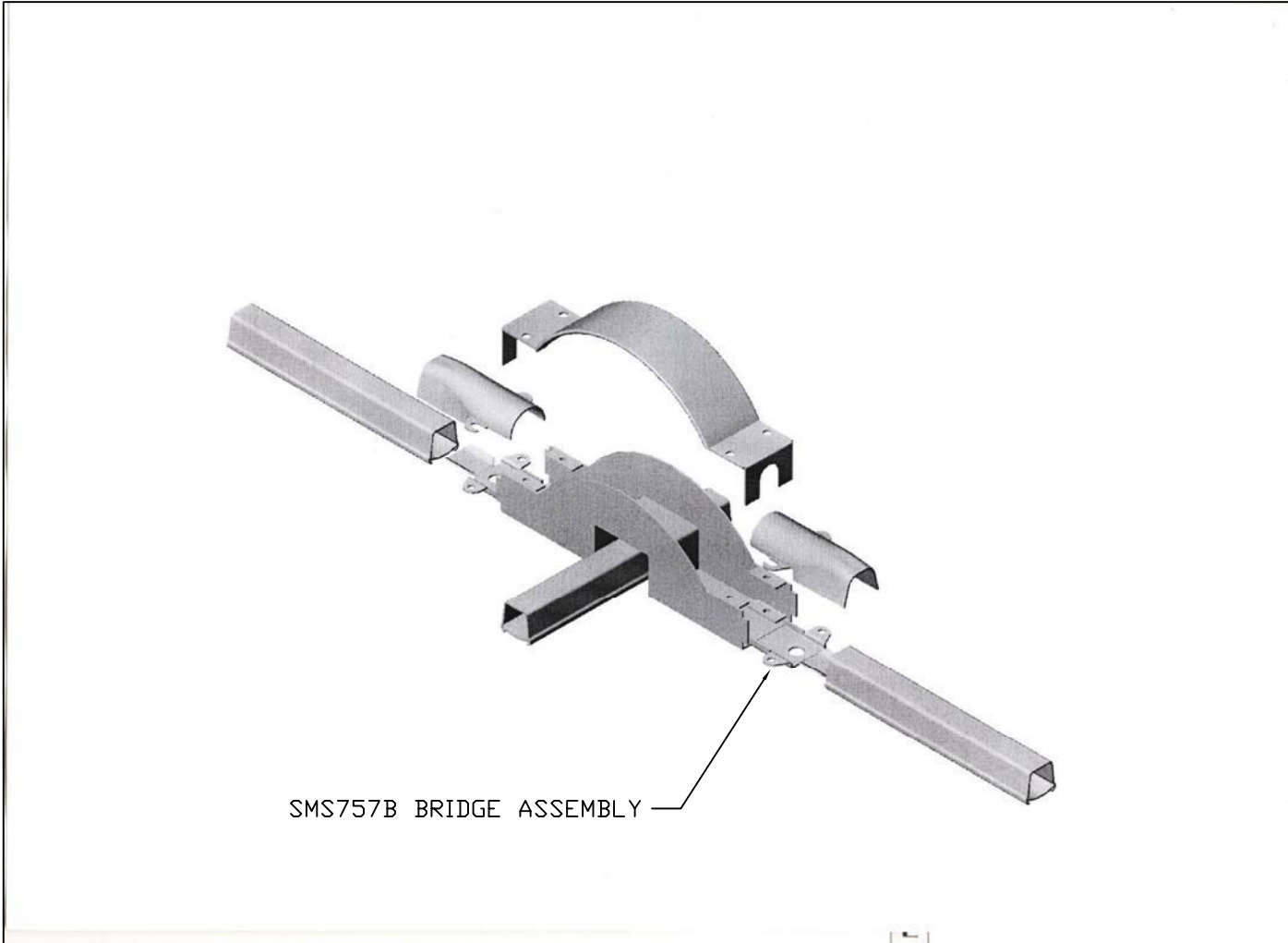
# SnapMark™

## SMS500 & SMS700 Series

STEEL BRIDGE ASSEMBLY  
 M.S.I. P/N: SMS757B  
 SMS700 SERIES BRIDGE  
 FOR USE WITH SMS500 AND SMS700 RACEWAYS  
 MATERIAL: STEEL - GALV



SMS500 & SMS700 SERIES  
 STEEL RACEWAYS  
 SECTION VIEW  
 MATERIAL: .04" GALV.  
 STANDARD IVORY FINISH  
 EACH ORDERED SEPARATELY  
 SCALE: NONE



SMS757B BRIDGE ASSEMBLY

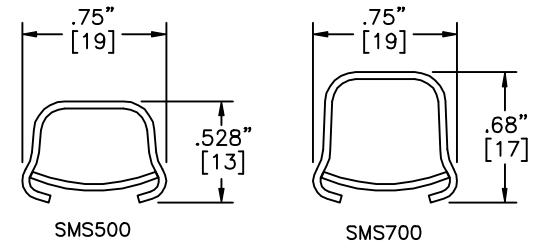


**MONO-SYSTEMS, INC.**  
 UNIQUE CABLE DISTRIBUTION SOLUTIONS  
 4 INTERNATIONAL DRIVE  
 RYE BROOK, NEW YORK 10573  
 PHONE: (914)-934-2075  
 FAX: (914)-934-2190

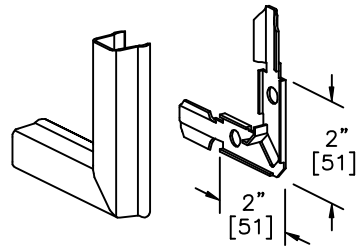
**SnapMark™**  
**SMS500 & SMS700 Series**

**90° FLAT ELBOW**

SMS511 FOR USE WITH SMS500  
 SMS711 FOR USE WITH SMS700

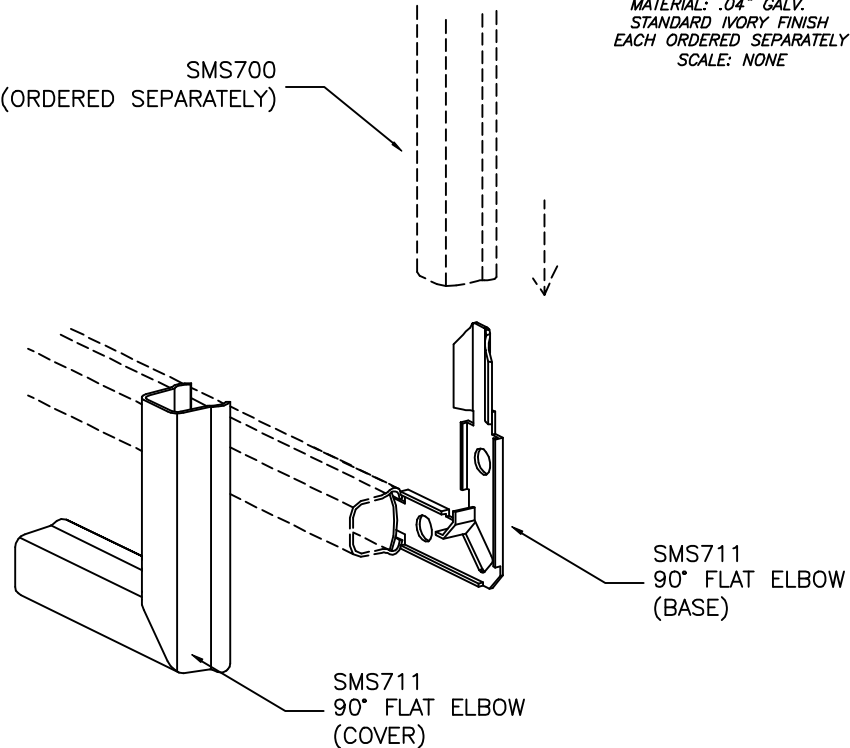


**SMS500 & SMS700 SERIES**  
 STEEL RACEWAYS  
 SECTION VIEW  
 MATERIAL: .04" GALV.  
 STANDARD IVORY FINISH  
 EACH ORDERED SEPARATELY  
 SCALE: NONE



SMS711  
 90° FLAT ELBOW

SMS700  
 (ORDERED SEPARATELY)



- A.) FOR RIGHT ANGLE TURNS ON A FLAT SURFACE.
- B.) ALL EXPOSED RACEWAY / FITTING SURFACES ARE PRE-PAINTED IVORY.

**ASSEMBLY INSTRUCTIONS**

1. INSERT SMS711 BASE INTO ENDS OF RACEWAYS AS SHOWN.
2. ATTACH BASE TO MOUNTING SURFACE USING NO. 8 HARDWARE OR LARGER. (BY OTHERS)
3. INSERT APPROPRIATE BUSHINGS. (ORDERED SEPARATELY)
4. SNAP COVER OVER BASE SECTIONS UPON COMPLETION.



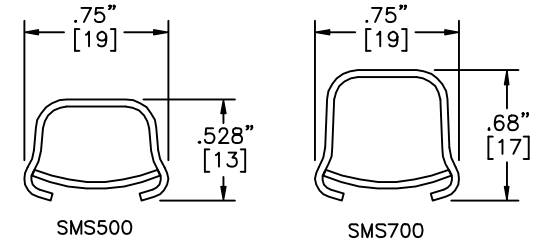
**MONO-SYSTEMS, INC.**  
 UNIQUE CABLE DISTRIBUTION SOLUTIONS  
 4 INTERNATIONAL DRIVE  
 RYE BROOK, NEW YORK 10573  
 PHONE: (914)-934-2075  
 FAX: (914)-934-2190

# SnapMark™

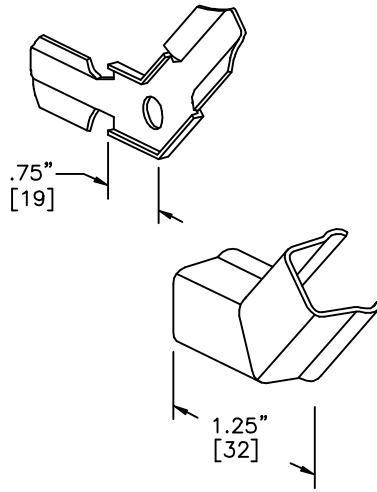
## SMS500 & SMS700 Series

### 45° FLAT ELBOW

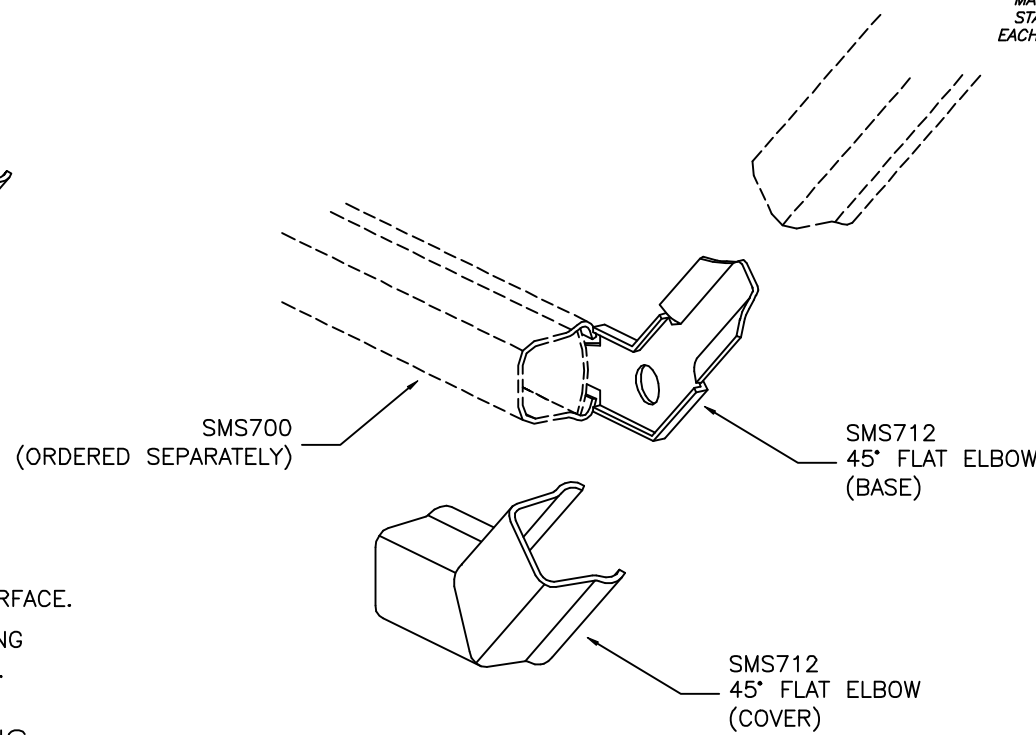
SMS512 FOR USE WITH SMS500  
 SMS712 FOR USE WITH SMS700



**SMS500 & SMS700 SERIES**  
 STEEL RACEWAYS  
 SECTION VIEW  
 MATERIAL: .04" GALV.  
 STANDARD IVORY FINISH  
 EACH ORDERED SEPARATELY  
 SCALE: NONE



SMS712  
 45° FLAT ELBOW



SMS700  
 (ORDERED SEPARATELY)

SMS712  
 45° FLAT ELBOW  
 (BASE)

SMS712  
 45° FLAT ELBOW  
 (COVER)

- A.) FOR 45° TURNS ON A FLAT SURFACE.
- B.) ALL EXPOSED RACEWAY / FITTING SURFACES ARE PRE-PAINTED IVORY.

### ASSEMBLY INSTRUCTIONS

1. INSERT ELBOW BASE INTO ENDS OF RACEWAYS AS SHOWN.
2. ATTACH BASE TO MOUNTING SURFACE USING NO. 8 HARDWARE OR LARGER. (BY OTHERS)
3. INSERT APPROPRIATE BUSHINGS. (ORDERED SEPARATELY)
4. SNAP COVER OVER BASE SECTIONS UPON COMPLETION.

FILENAME: SMS512-712

[www.monosystems.com](http://www.monosystems.com)

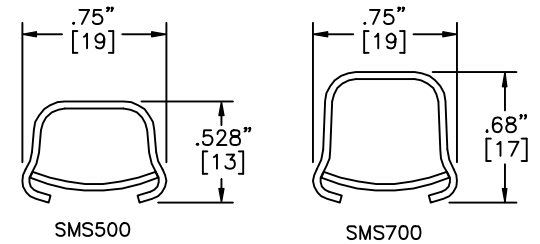


**MONO-SYSTEMS, INC.**  
 UNIQUE CABLE DISTRIBUTION SOLUTIONS  
 4 INTERNATIONAL DRIVE  
 RYE BROOK, NEW YORK 10573  
 PHONE: (914)-934-2075  
 FAX: (914)-934-2190

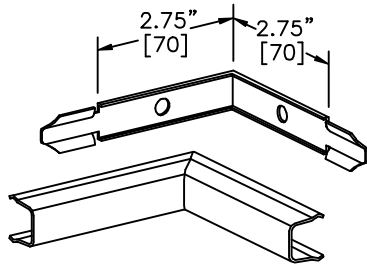
**SnapMark™**  
**SMS500 & SMS700 Series**

90° INTERNAL ELBOW

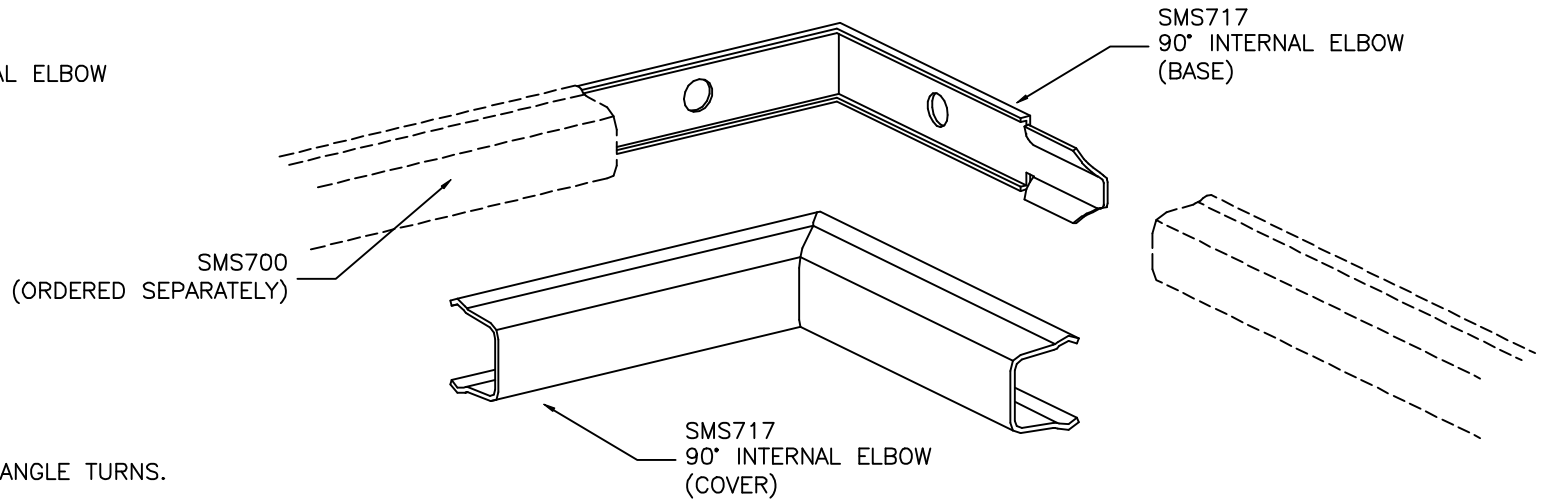
SMS517 FOR USE WITH SMS500  
 SMS717 FOR USE WITH SMS700



**SMS500 & SMS700 SERIES**  
 STEEL RACEWAYS  
 SECTION VIEW  
 MATERIAL: .04" GALV.  
 STANDARD IVORY FINISH  
 EACH ORDERED SEPARATELY  
 SCALE: NONE



SMS717  
 90° INTERNAL ELBOW



- A.) FOR INSIDE RIGHT ANGLE TURNS.  
 B.) ALL EXPOSED RACEWAY / FITTING SURFACES ARE PRE-PAINTED IVORY.

ASSEMBLY INSTRUCTIONS

1. INSERT ELBOW BASE INTO ENDS OF RACEWAYS AS SHOWN.
2. ATTACH BASE TO MOUNTING SURFACE USING NO. 8 HARDWARE OR LARGER. (BY OTHERS)
3. INSERT APPROPRIATE BUSHINGS. (ORDERED SEPARATELY)
4. SNAP COVER OVER BASE SECTIONS UPON COMPLETION.

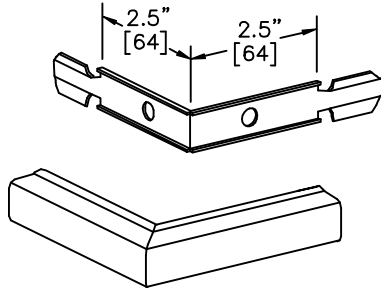


**MONO-SYSTEMS, INC.**  
 UNIQUE CABLE DISTRIBUTION SOLUTIONS  
 4 INTERNATIONAL DRIVE  
 RYE BROOK, NEW YORK 10573  
 PHONE: (914)-934-2075  
 FAX: (914)-934-2190

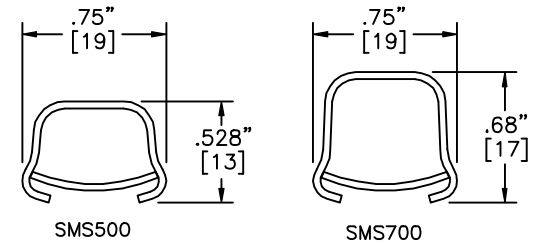
**SnapMark™**  
**SMS500 & SMS700 Series**

90° EXTERNAL ELBOW

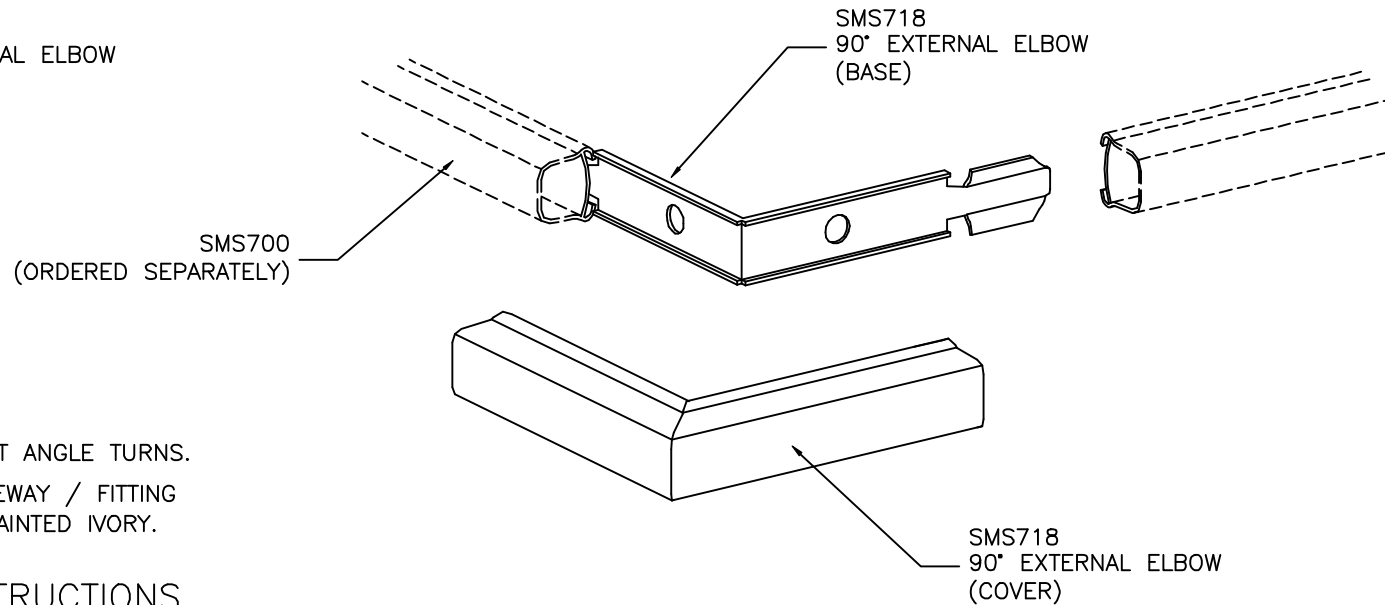
SMS518 FOR USE WITH SMS500  
 SMS718 FOR USE WITH SMS700



SMS718  
 90° EXTERNAL ELBOW



**SMS500 & SMS700 SERIES**  
 STEEL RACEWAYS  
 SECTION VIEW  
 MATERIAL: .04" GALV.  
 STANDARD IVORY FINISH  
 EACH ORDERED SEPARATELY  
 SCALE: NONE



- A.) FOR OUTSIDE RIGHT ANGLE TURNS.
- B.) ALL EXPOSED RACEWAY / FITTING SURFACES ARE PRE-PAINTED IVORY.

**ASSEMBLY INSTRUCTIONS**

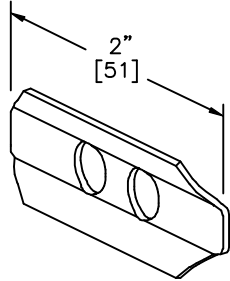
1. INSERT ELBOW BASE INTO ENDS OF RACEWAYS AS SHOWN.
2. ATTACH BASE TO MOUNTING SURFACE USING NO. 8 HARDWARE OR LARGER. (BY OTHERS)
3. INSERT APPROPRIATE BUSHINGS. (ORDERED SEPARATELY)
4. SNAP COVER OVER BASE SECTIONS UPON COMPLETION.



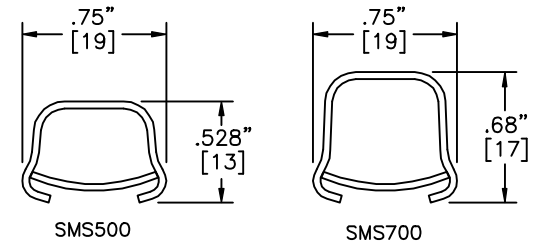
**MONO-SYSTEMS, INC.**  
 UNIQUE CABLE DISTRIBUTION SOLUTIONS  
 4 INTERNATIONAL DRIVE  
 RYE BROOK, NEW YORK 10573  
 PHONE: (914)-934-2075  
 FAX: (914)-934-2190

**SnapMark™**  
**SMS500 & SMS700 Series**

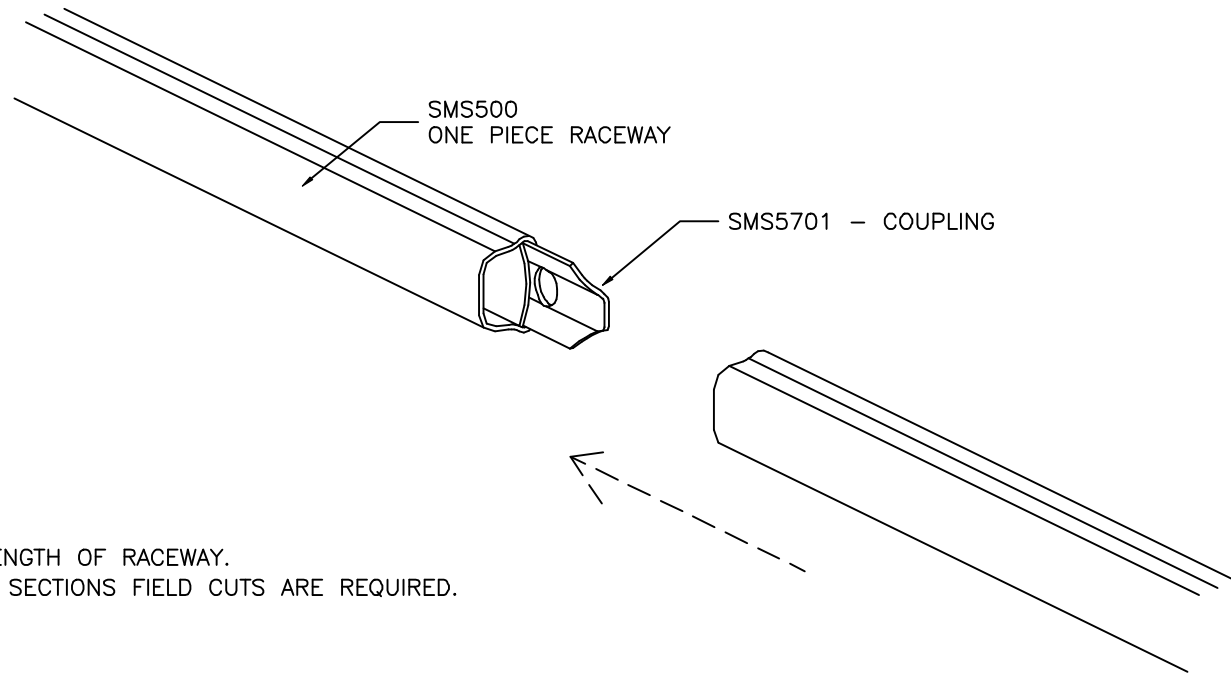
COUPLING  
 SMS5701  
 FOR USE WITH SMS500 AND SMS700



SMS5701  
 COUPLING



**SMS500 & SMS700 SERIES**  
 STEEL RACEWAYS  
 SECTION VIEW  
 MATERIAL: .04" GALV.  
 STANDARD IVORY FINISH  
 EACH ORDERED SEPARATELY  
 SCALE: NONE



- A.) ONE COUPLING PROVIDED WITH EACH LENGTH OF RACEWAY.  
 ORDER ADDITIONAL COUPLINGS FOR JOINING SECTIONS FIELD CUTS ARE REQUIRED.
- B.) ALL EXPOSED RACEWAY / FITTING SURFACES ARE PRE-PAINTED IVORY.

ASSEMBLY INSTRUCTIONS

1. CONNECT SECTIONS USING COUPLING AS SHOWN.

FILENAME: SMS5701

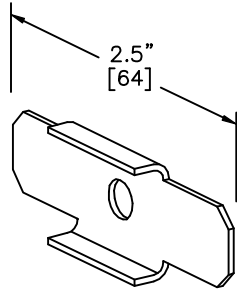
[www.monosystems.com](http://www.monosystems.com)



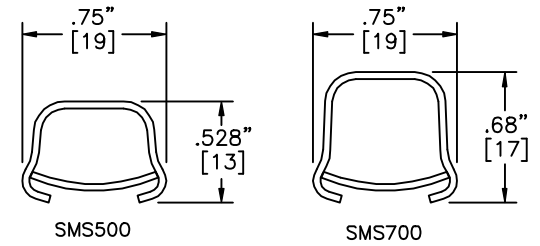
**MONO-SYSTEMS, INC.**  
 UNIQUE CABLE DISTRIBUTION SOLUTIONS  
 4 INTERNATIONAL DRIVE  
 RYE BROOK, NEW YORK 10573  
 PHONE: (914)-934-2075  
 FAX: (914)-934-2190

**SnapMark™**  
**SMS500 & SMS700 Series**

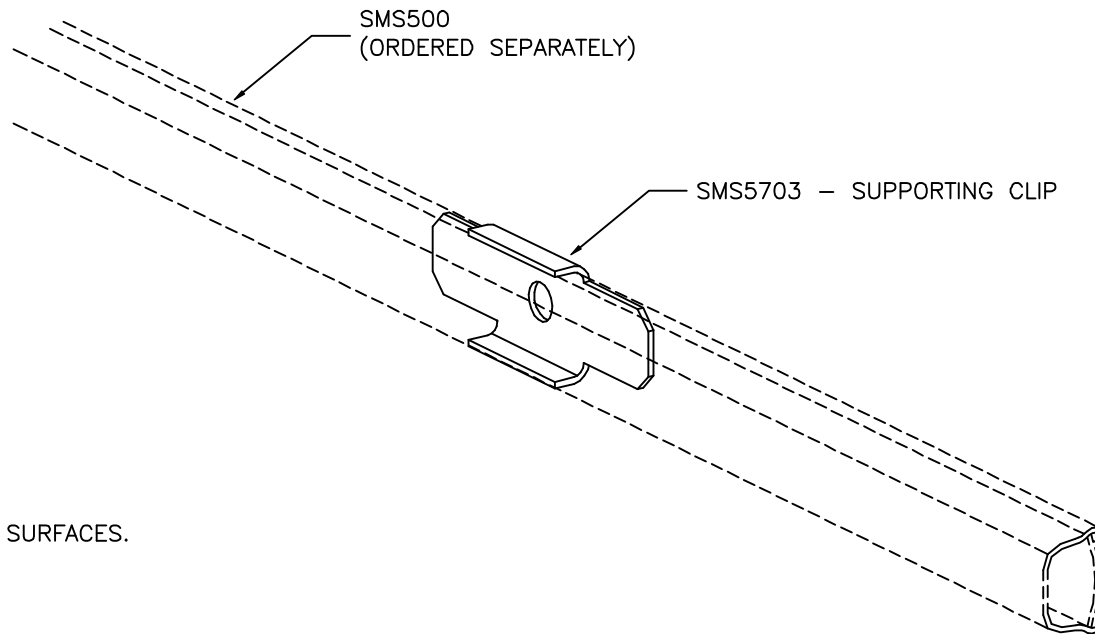
SUPPORTING CLIP  
 SMS5703  
 FOR USE WITH SMS500 AND SMS700



SMS5703  
 SUPPORTING CLIP



**SMS500 & SMS700 SERIES**  
 STEEL RACEWAYS  
 SECTION VIEW  
 MATERIAL: .04" GALV.  
 STANDARD IVORY FINISH  
 EACH ORDERED SEPARATELY  
 SCALE: NONE



- A.) FOR SUPPORTING RACEWAY ON WALL SURFACES.
- B.) ALL EXPOSED RACEWAY / FITTING SURFACES ARE PRE-PAINTED IVORY.

ASSEMBLY INSTRUCTIONS

1. ATTACH CLIPS TO WALL SURFACE EVERY 2'-6" USING NO. 8 FLATHEAD SCREWS. (BY OTHERS)
2. SNAP RACEWAY INTO CLIP AS SHOWN.

FILENAME: SMS5703

[www.monosystems.com](http://www.monosystems.com)



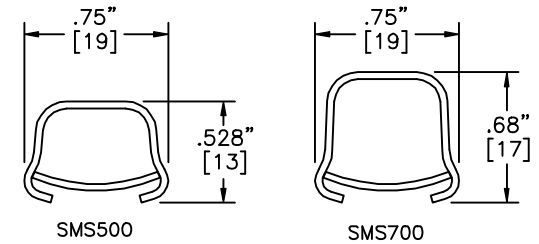
**MONO-SYSTEMS, INC.**  
 UNIQUE CABLE DISTRIBUTION SOLUTIONS  
 4 INTERNATIONAL DRIVE  
 RYE BROOK, NEW YORK 10573  
 PHONE: (914)-934-2075  
 FAX: (914)-934-2190

# SnapMark™

## SMS500 & SMS700 Series

### 90° INTERNAL PULL ELBOW

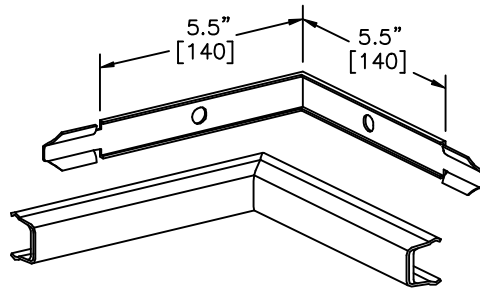
SMS5717A FOR USE WITH SMS500 AND SMS700



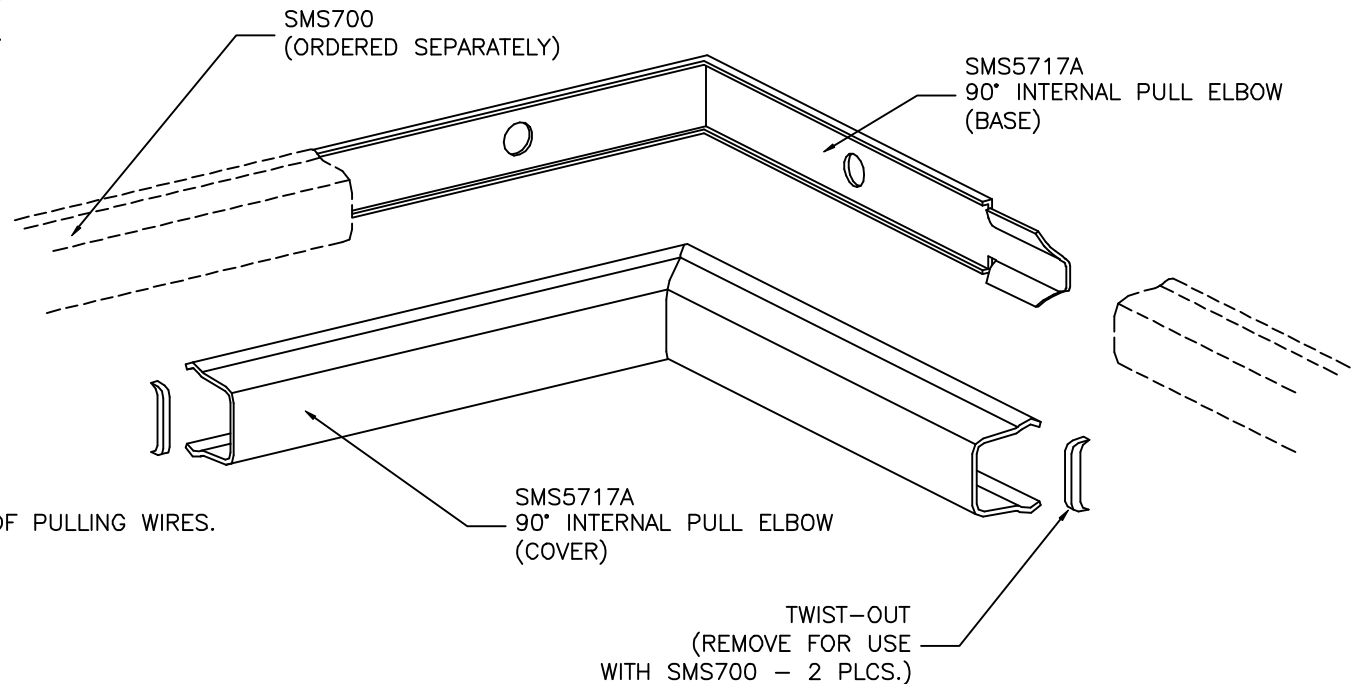
SMS500 & SMS700 SERIES

STEEL RACEWAYS  
SECTION VIEW

MATERIAL: .04" GALV.  
STANDARD IVORY FINISH  
EACH ORDERED SEPARATELY  
SCALE: NONE



SMS5717A  
90° INTERNAL PULL ELBOW



- A.) FOR INSIDE RIGHT ANGLE TURNS.
- B.) PROVIDES MORE SPACE FOR EASE OF PULLING WIRES.
- C.) ALL EXPOSED RACEWAY / FITTING SURFACES ARE PRE-PAINTED IVORY.

### ASSEMBLY INSTRUCTIONS

1. INSERT ELBOW BASE INTO ENDS OF RACEWAYS AS SHOWN.
2. ATTACH BASE TO MOUNTING SURFACE USING NO. 8 HARDWARE OR LARGER. (BY OTHERS)
3. REMOVE INDICATED TWIST-OUTS WHEN USING WITH SMS700.
4. INSERT APPROPRIATE BUSHINGS. (ORDERED SEPARATELY)
5. SNAP COVER OVER BASE SECTIONS UPON COMPLETION.

FILENAME: SMS5717A

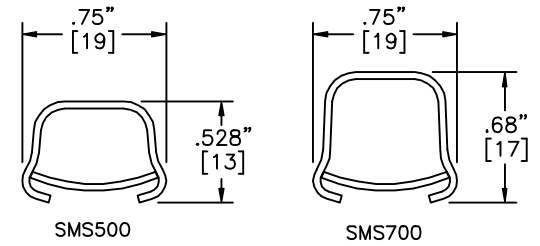
[www.monosystems.com](http://www.monosystems.com)



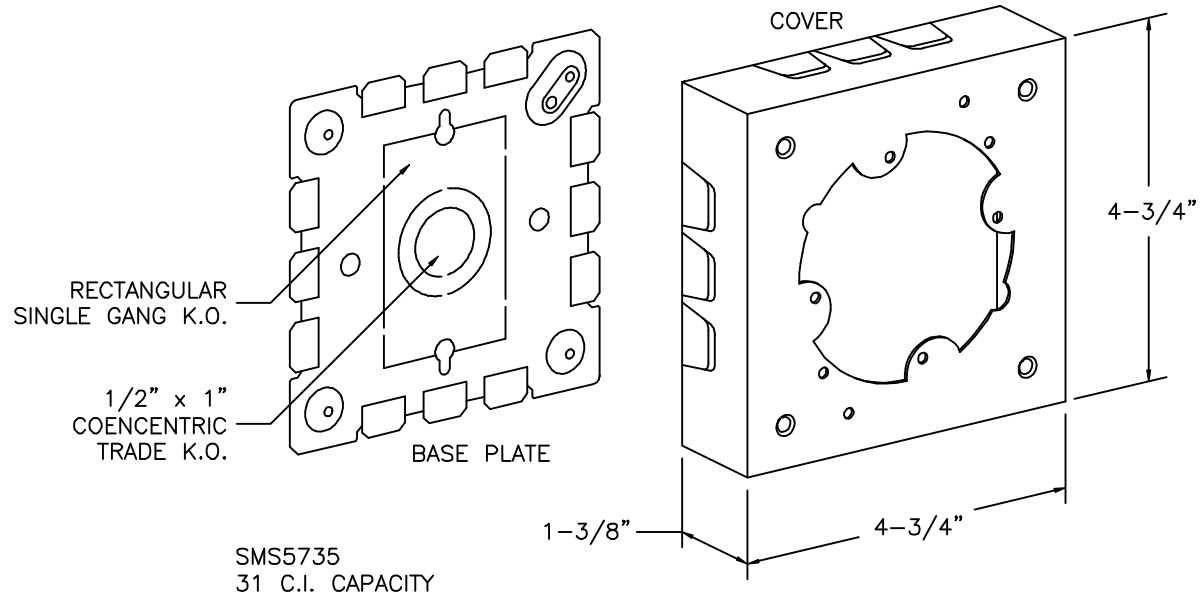
**MONO-SYSTEMS, INC.**  
UNIQUE CABLE DISTRIBUTION SOLUTIONS  
4 INTERNATIONAL DRIVE  
RYE BROOK, NEW YORK 10573  
PHONE: (914)-934-2075  
FAX: (914)-934-2190

**SnapMark™**  
**SMS500 & SMS700 Series**

DISTRIBUTION BOX  
 SMS5735  
 FOR USE WITH SMS500 AND SMS700 RACEWAYS  
 MATERIAL: STEEL – GALV / IVORY FINISH



**SMS500 & SMS700 SERIES**  
 STEEL RACEWAYS  
 SECTION VIEW  
 MATERIAL: .04" GALV.  
 STANDARD IVORY FINISH  
 EACH ORDERED SEPARATELY  
 SCALE: NONE



SMS5735  
 31 C.I. CAPACITY

- A.) COVER TAKES DEVICES WITH MOUNTING SCREW CENTERS OF 2-3/4", 3-1/2" AND 4-1/16".
- B.) ALSO FOR USE WITH CANOPY FIXTURES NOT LARGER THAN 4-5/8" DIAMETER.
- C.) 10-32 GROUND SCREW PROVIDED.

ASSEMBLY INSTRUCTIONS

1. REMOVE APPROPRIATE RACEWAY K.O. FROM COVER.
2. SLIDE RACEWAY SECTIONS OVER APPROPRIATE TABS ON BASE PLATE.
3. SECURE BASE PLATE TO MOUNTING SURFACE USING APPROPRIATE HARDWARE. (BY OTHERS)
4. TERMINATE WIRING PER NEC AND LOCAL CODES.
5. ATTACH COVER TO BASE PLATE USING PROVIDED NO. 6 HARDWARE.

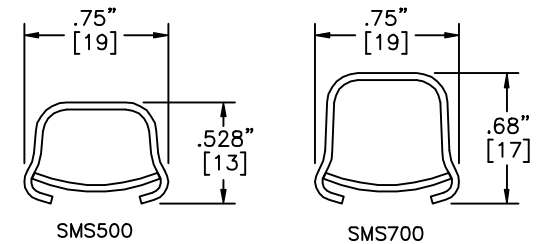
FILENAME: SMS5735

[www.monosystems.com](http://www.monosystems.com)

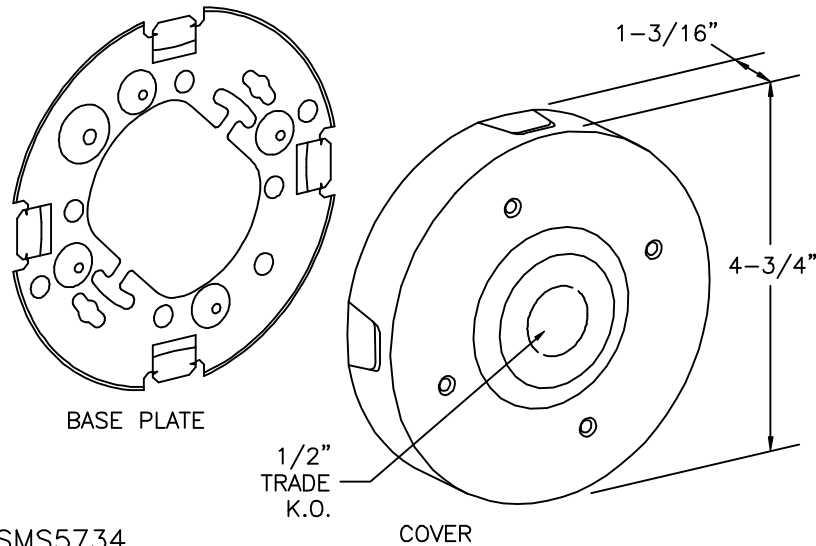
**MONO-SYSTEMS, INC.**  
 UNIQUE CABLE DISTRIBUTION SOLUTIONS  
 4 INTERNATIONAL DRIVE  
 RYE BROOK, NEW YORK 10573  
 PHONE: (914)-934-2075  
 FAX: (914)-934-2190

**SnapMark™**  
**SMS500 & SMS700 Series**

SMS5734 – BLANK EXTENSION BOX  
 SMS5734 – UTILITY BOX  
 FOR USE WITH SMS500 AND SMS700 RACEWAYS  
 MATERIAL: STEEL – GALV / IVORY FINISH

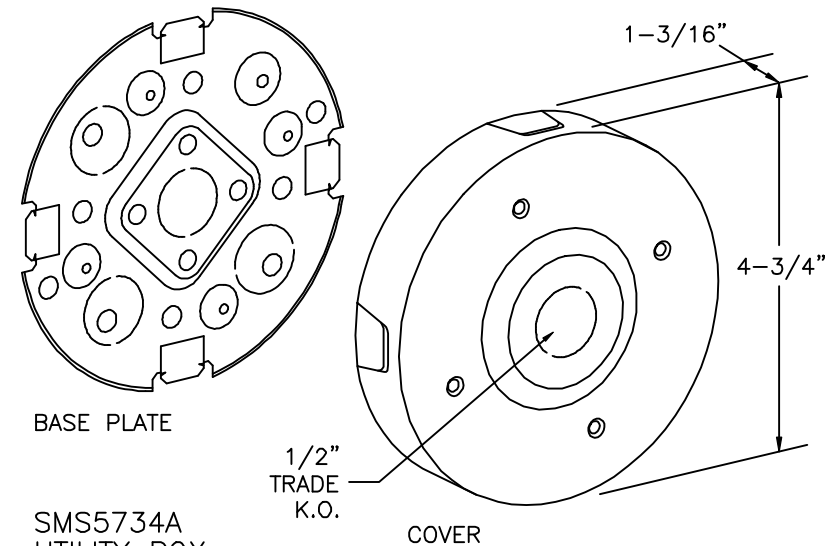


**SMS500 & SMS700 SERIES**  
 STEEL RACEWAYS  
 SECTION VIEW  
 MATERIAL: .04" GALV.  
 STANDARD IVORY FINISH  
 EACH ORDERED SEPARATELY  
 SCALE: NONE



SMS5734  
 BLANK EXTENSION BOX  
 21 C.I. CAPACITY

- A.) USE FOR MOUNTING ON 3-1/4" OR 4" CONDUIT BOXES OR 4" CONDUIT BOXES OR OTHER RECESSED OUTLETS.
- B.) USE AS PULL BOX, J-BOX OR FOR FIXTURE STEMS.
- C.) NOT FOR USE WITH CEILING FANS.
- D.) 10-32 GROUND SCREW PROVIDED.



SMS5734A  
 UTILITY BOX  
 21 C.I. CAPACITY

- A.) FOR USE WITH STEM FIXTURES, OR AS J-BOX.
- B.) BASE HAS FOUR HOLES FOR FIXTURE STUDS AND FIVE 1/2" TRADE SIZE K.O.s.
- C.) NOT FOR USE WITH CEILING FANS.
- D.) 10-32 GROUND SCREW PROVIDED.

**ASSEMBLY INSTRUCTIONS**

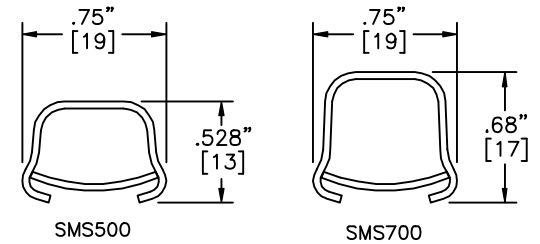
1. REMOVE APPROPRIATE RACEWAY K.O. FROM COVER.
2. SLIDE RACEWAY SECTIONS OVER APPROPRIATE TABS ON BASE PLATE.
3. SECURE BASE PLATE TO MOUNTING SURFACE USING APPROPRIATE HARDWARE. (BY OTHERS)
4. TERMINATE WIRING PER NEC AND LOCAL CODES.
5. ATTACH COVER TO BASE PLATE USING PROVIDED NO. 6 HARDWARE.



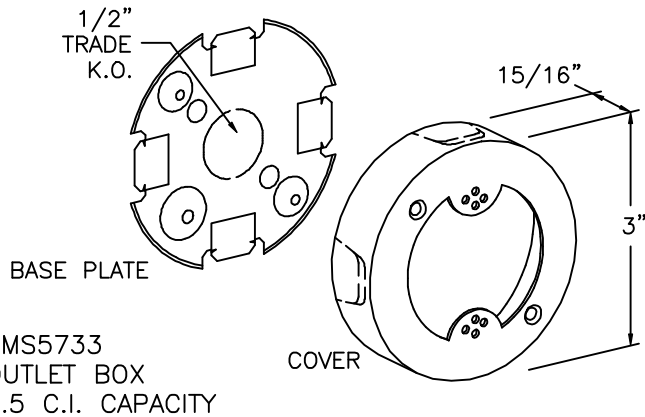
**MONO-SYSTEMS, INC.**  
 UNIQUE CABLE DISTRIBUTION SOLUTIONS  
 4 INTERNATIONAL DRIVE  
 RYE BROOK, NEW YORK 10573  
 PHONE: (914)-934-2075  
 FAX: (914)-934-2190

**SnapMark™**  
**SMS500 & SMS700 Series**

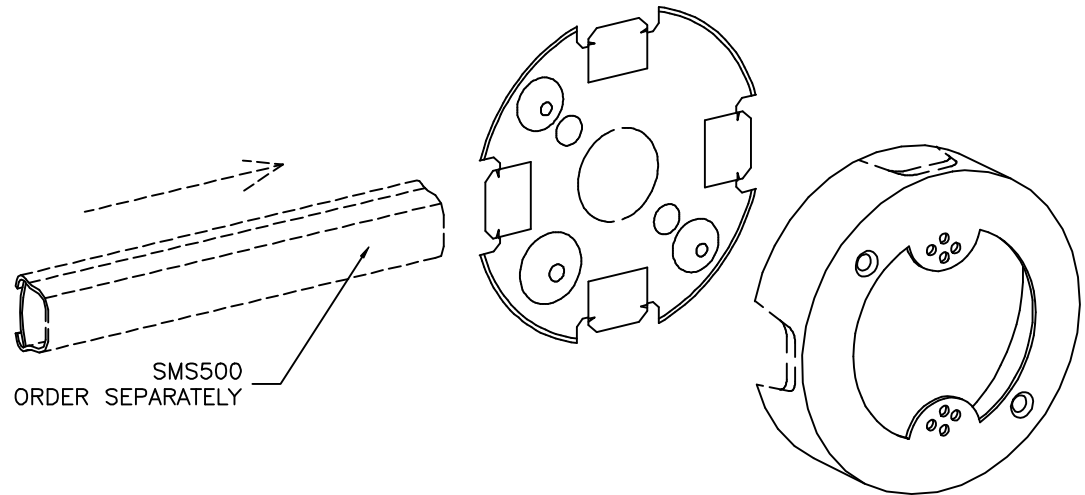
**OUTLET BOX**  
**SMS5733**  
 FOR USE WITH SMS500 AND SMS700 RACEWAYS  
 MATERIAL: STEEL – GALV / IVORY FINISH



**SMS500 & SMS700 SERIES**  
 STEEL RACEWAYS  
 SECTION VIEW  
 MATERIAL: .04" GALV.  
 STANDARD IVORY FINISH  
 EACH ORDERED SEPARATELY  
 SCALE: NONE



SMS5733  
 OUTLET BOX  
 6.5 C.I. CAPACITY



- A.) USE FOR HANGING FIXTURES WITH MOUNTING CENTERS OF 1-15/32, 1-5/8 AND 1-27/32 INCHES.
- B.) WILL ACCOMODATE DEVICES MADE FOR MOUNTING ON G OR H TYPE CONDUIT FITTINGS.
- C.) NOT FOR USE WITH CEILING FANS.
- D.) 10-32 GROUND SCREW PROVIDED.

**ASSEMBLY INSTRUCTIONS**

1. REMOVE APPROPRIATE RACEWAY K.O. FROM COVER.
2. SLIDE RACEWAY SECTIONS OVER APPROPRIATE TABS ON BASE PLATE.
3. SECURE BASE PLATE TO MOUNTING SURFACE USING APPROPRIATE HARDWARE. (BY OTHERS)
4. TERMINATE WIRING PER NEC AND LOCAL CODES.
5. ATTACH COVER TO BASE PLATE USING PROVIDED NO. 6 HARDWARE.

FILENAME: SMS5733

[www.monosystems.com](http://www.monosystems.com)



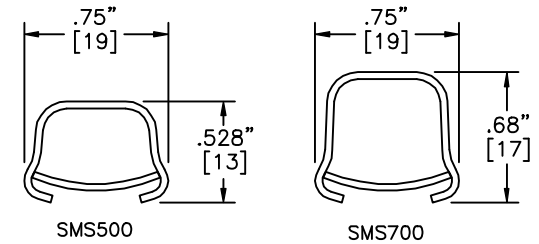
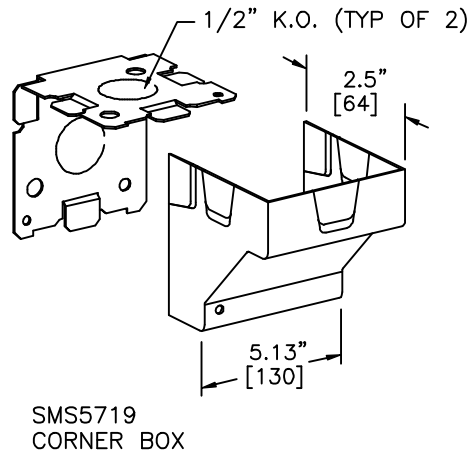
**MONO-SYSTEMS, INC.**  
 UNIQUE CABLE DISTRIBUTION SOLUTIONS  
 4 INTERNATIONAL DRIVE  
 RYE BROOK, NEW YORK 10573  
 PHONE: (914)-934-2075  
 FAX: (914)-934-2190

# SnapMark™

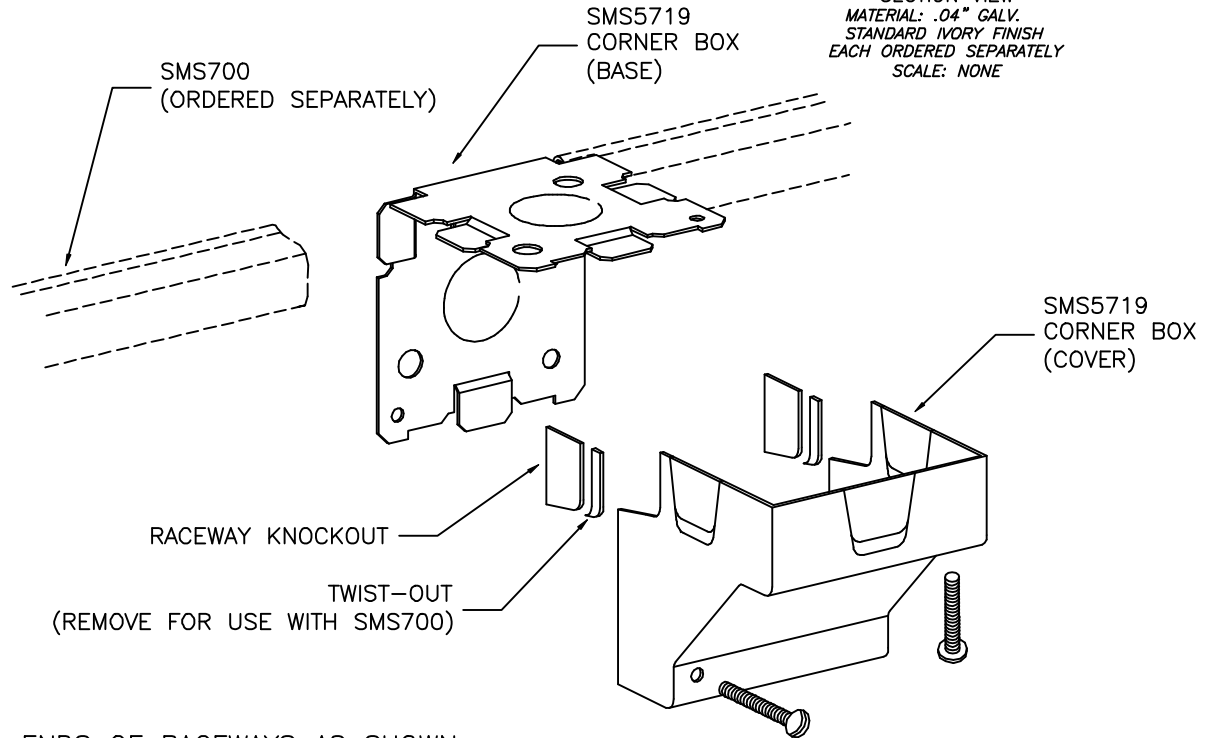
## SMS500 & SMS700 Series

### CORNER BOX

#### SMS5719 FOR USE WITH SMS500 AND SMS700



**SMS500 & SMS700 SERIES**  
STEEL RACEWAYS  
SECTION VIEW  
MATERIAL: .04" GALV.  
STANDARD IVORY FINISH  
EACH ORDERED SEPARATELY  
SCALE: NONE



- A.) PROVIDES AMPLE SPLICE ROOM.
- B.) ALLOWS FOR THROUGH WALL PASSAGE.
- C.) ALL EXPOSED RACEWAY / FITTING SURFACES ARE PRE-PAINTED IVORY.
- D.) 10-32 GROUND SCREW PROVIDED.

### ASSEMBLY INSTRUCTIONS

1. INSERT ELBOW BASE AS REQUIRED INTO ENDS OF RACEWAYS AS SHOWN.
2. ATTACH BASE TO MOUNTING SURFACE USING NO. 8 HARDWARE OR LARGER. (BY OTHERS)
3. REMOVE REQUIRED RACEWAY KNOCKOUTS.
4. REMOVE REQUIRED TWIST-OUTS WHEN USING WITH SMS700.
5. INSERT APPROPRIATE BUSHINGS. (ORDERED SEPARATELY)
6. ATTACH COVER TO CORNER BOX BASE UPON COMPLETION USING PROVIDED NO. 6 HARDWARE.

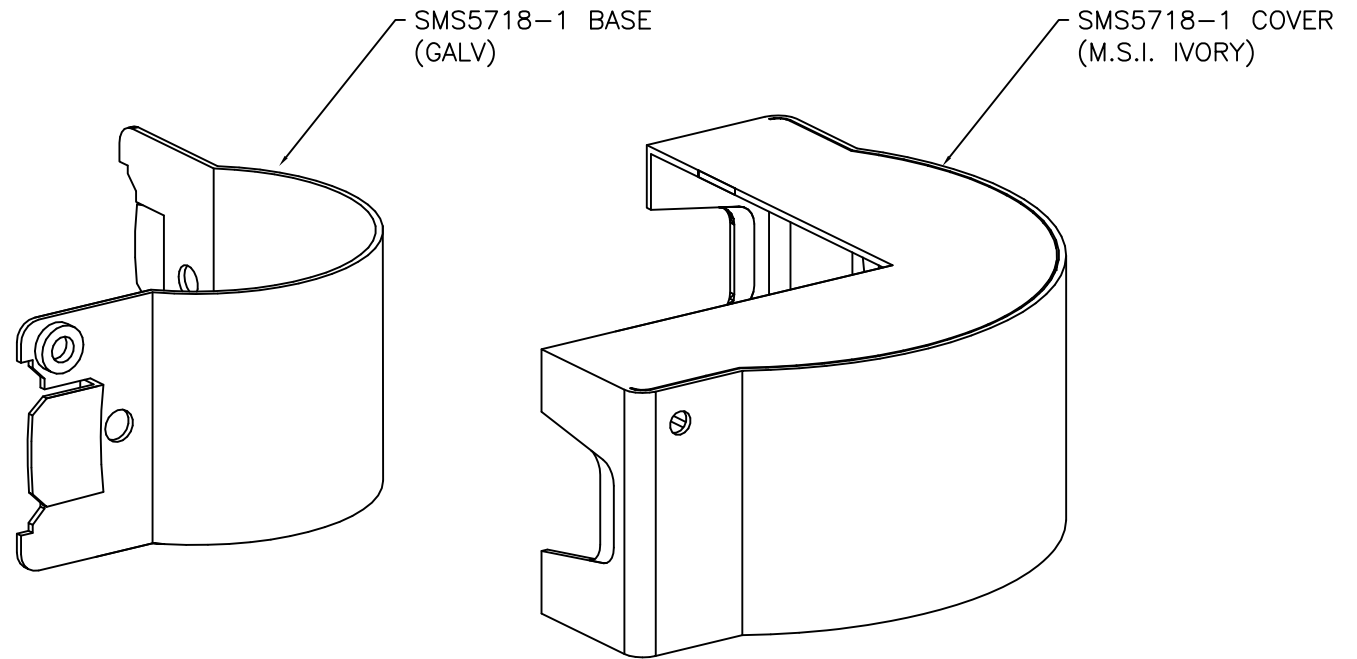
FILENAME: SMS5719

[www.monosystems.com](http://www.monosystems.com)



**MONO-SYSTEMS, INC.**  
UNIQUE CABLE DISTRIBUTION SOLUTIONS  
4 INTERNATIONAL DRIVE  
RYE BROOK, NEW YORK 10573  
PHONE: (914)-934-2075  
FAX: (914)-934-2190

M.S.I. P/N: SMS5718-1  
1" RADIUS EXTERNAL ELBOW FOR SMS500 & SMS700



HARDWARE PROVIDED

01/21/03 DOCUMENT REF. NO.: CS-SMS5718-1

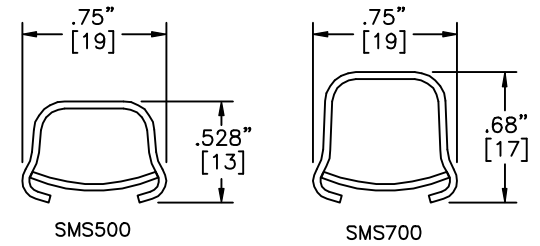


**MONO-SYSTEMS, INC.**  
UNIQUE CABLE DISTRIBUTION SOLUTIONS  
4 INTERNATIONAL DRIVE  
RYE BROOK, NEW YORK 10573  
PHONE: (914)-934-2075  
FAX: (914)-934-2190

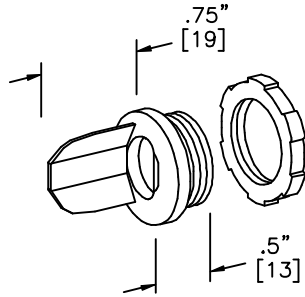
**SnapMark™**  
**SMS500 & SMS700 Series**

**BOX CONNECTOR**

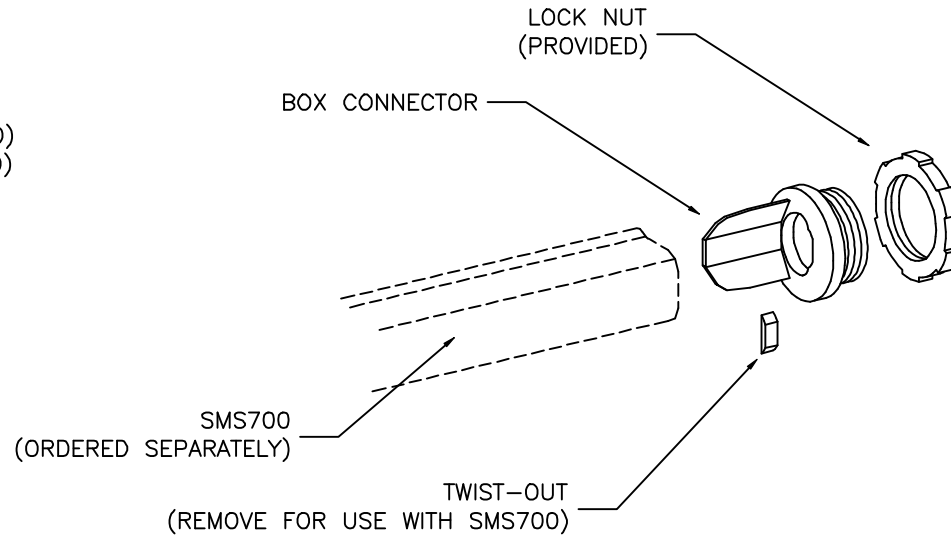
SMS5781 1/2" MALE  
 SMS5781A 3/4" MALE  
 BOTH FOR USE WITH SMS500 AND SMS700



**SMS500 & SMS700 SERIES**  
 STEEL RACEWAYS  
 SECTION VIEW  
 MATERIAL: .04" GALV.  
 STANDARD IVORY FINISH  
 EACH ORDERED SEPARATELY  
 SCALE: NONE



SMS5781 FOR (FOR 1/2" TRADE K.O. / THREAD)  
 SMS5781A FOR (FOR 3/4" TRADE K.O. / THREAD)



- A.) FOR USE WITH CONDUIT TYPE FITTINGS & KNOCKOUTS.
- B.) MATERIAL: CAST ALUMINUM / ZINC DICAST.

ASSEMBLY INSTRUCTIONS

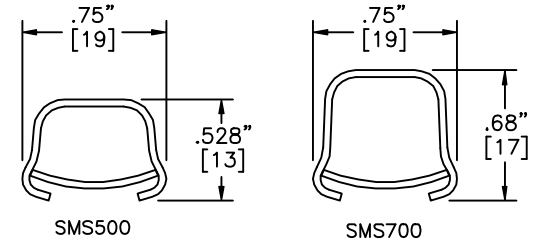
1. REMOVE TWIST-OUT WHEN USING WITH SMS700.
2. INSERT BOX CONNECTOR INTO END OF RACEWAY AS SHOWN.
3. ATTACH BOX CONNECTOR TO CONDUIT BOX OR PANEL BOX (BY OTHERS) USING PROVIDED LOCK NUT.



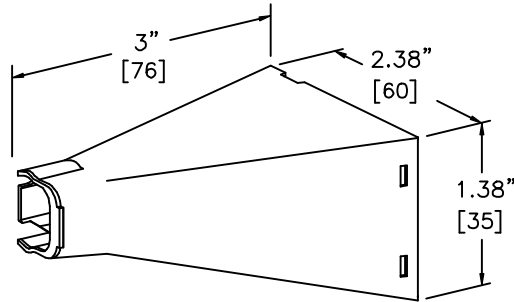
**MONO-SYSTEMS, INC.**  
 UNIQUE CABLE DISTRIBUTION SOLUTIONS  
 4 INTERNATIONAL DRIVE  
 RYE BROOK, NEW YORK 10573  
 PHONE: (914)-934-2075  
 FAX: (914)-934-2190

**SnapMark™**  
**SMS500 & SMS700 Series**

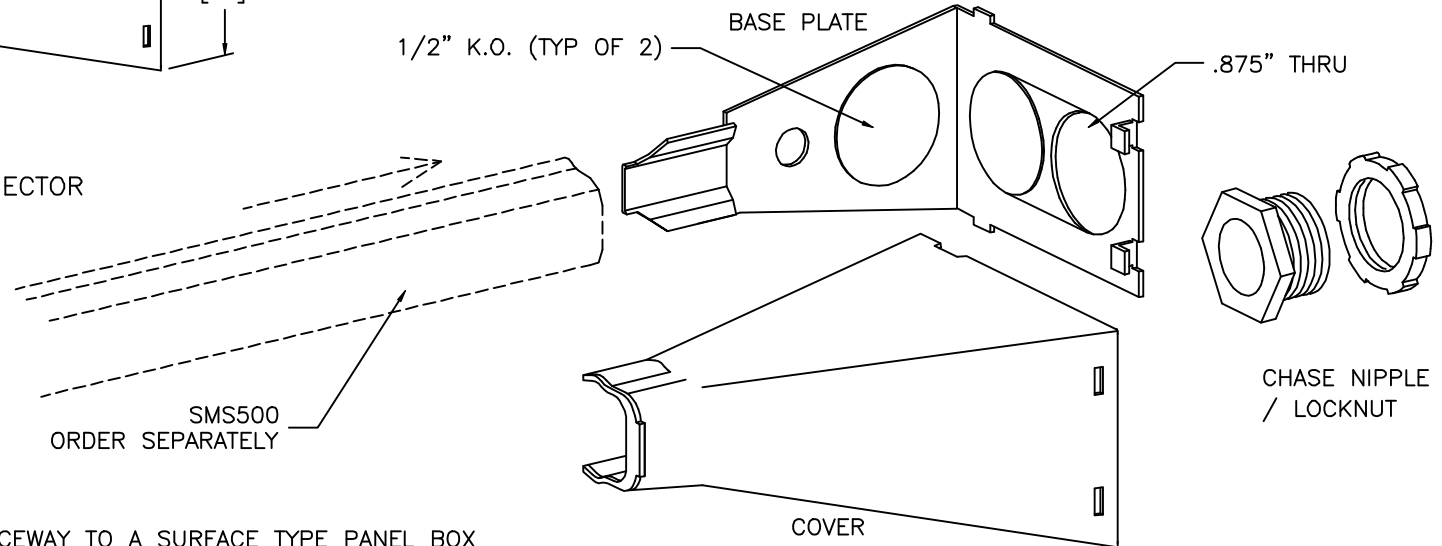
ADJUSTABLE, OFFSET CONNECTOR  
 SMS5786  
 FOR USE WITH SMS500 AND SMS700 RACEWAYS  
 MATERIAL: STEEL – GALV / IVORY FINISH



**SMS500 & SMS700 SERIES**  
 STEEL RACEWAYS  
 SECTION VIEW  
 MATERIAL: .04" GALV.  
 STANDARD IVORY FINISH  
 EACH ORDERED SEPARATELY  
 SCALE: NONE



SMS5786  
 COMBINATION CONNECTOR



A.) USE FOR CONNECTING RACEWAY TO A SURFACE TYPE PANEL BOX WITHOUT OFFSETTING. ADJUSTMENT FROM SURFACE TO CENTER OF BUSHINGS IS 5/8" MINIMUM TO 1-3/8" MAXIMUM.

**ASSEMBLY INSTRUCTIONS**

1. REMOVE APPROPRIATE RACEWAY K.O. FROM COVER.
2. SLIDE RACEWAY SECTION OVER TAB ON BASE PLATE.
3. FASTEN BASE PLATE TO PANEL K.O. USING PROVIDED CHASE NIPPLE AND LOCKNUT.
4. TERMINATE WIRING PER NEC AND LOCAL CODES.
5. SNAP COVER ON TO BASE PLATE.

FILENAME: SMS5786

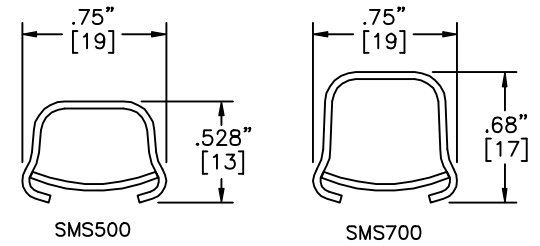
[www.monosystems.com](http://www.monosystems.com)



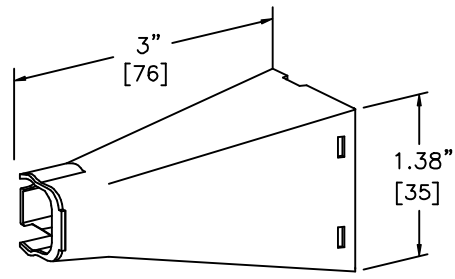
**MONO-SYSTEMS, INC.**  
 UNIQUE CABLE DISTRIBUTION SOLUTIONS  
 4 INTERNATIONAL DRIVE  
 RYE BROOK, NEW YORK 10573  
 PHONE: (914)-934-2075  
 FAX: (914)-934-2190

**SnapMark™**  
**SMS500 & SMS700 Series**

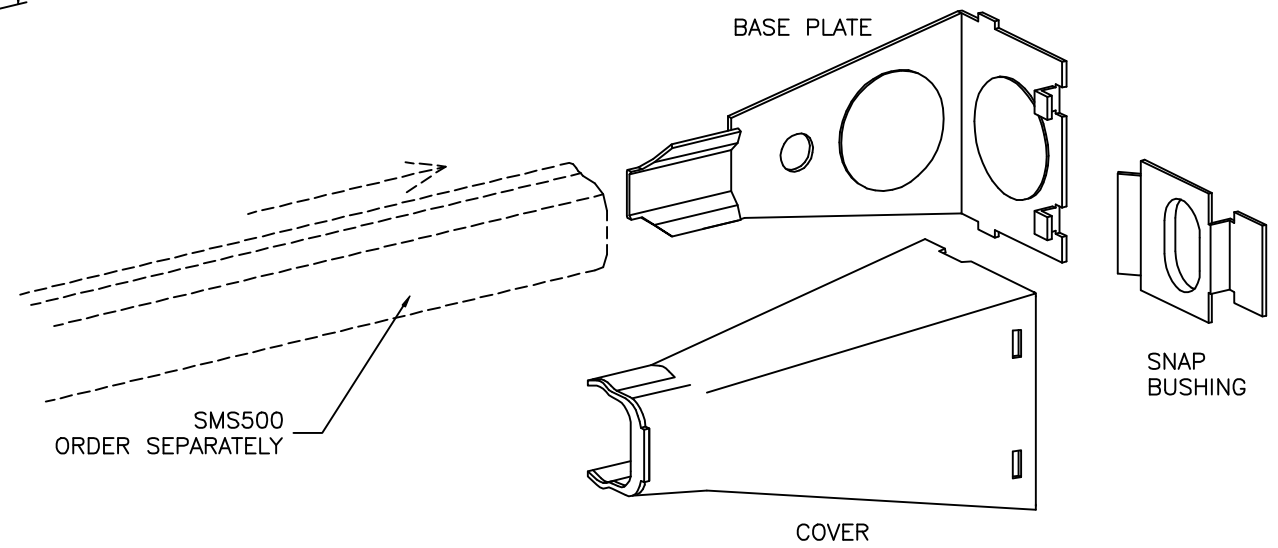
COMBINATION CONNECTOR  
 SMS5785  
 FOR USE WITH SMS500 AND SMS700 RACEWAYS  
 MATERIAL: STEEL – GALV / IVORY FINISH



SMS500 & SMS700 SERIES  
 STEEL RACEWAYS  
 SECTION VIEW  
 MATERIAL: .04" GALV.  
 STANDARD IVORY FINISH  
 EACH ORDERED SEPARATELY  
 SCALE: NONE



SMS5785  
 COMBINATION CONNECTOR




A.) USE FOR CONNECTING RACEWAY TO  
 ANY 3-1/4" OR 4" OUTLET BOX WITHOUT OFFSETTING.

ASSEMBLY INSTRUCTIONS

1. REMOVE APPROPRIATE RACEWAY K.O. FROM COVER.
2. SLIDE RACEWAY SECTION OVER TAB ON BASE PLATE.
3. FASTEN BASE PLATE TO BOX K.O. USING PROVIDED SNAP BUSHING.
4. TERMINATE WIRING PER NEC AND LOCAL CODES.
5. SNAP COVER ON TO BASE PLATE.

FILENAME: SMS5785

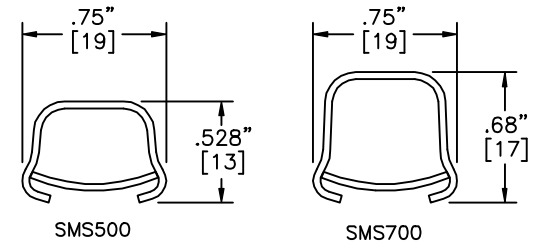
[www.monosystems.com](http://www.monosystems.com)



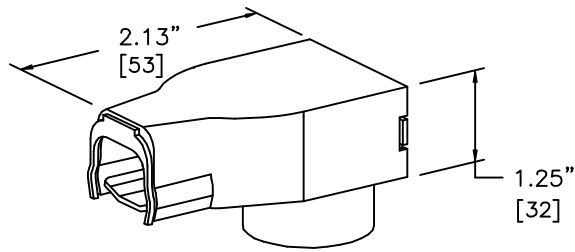
**MONO-SYSTEMS, INC.**  
 UNIQUE CABLE DISTRIBUTION SOLUTIONS  
 4 INTERNATIONAL DRIVE  
 RYE BROOK, NEW YORK 10573  
 PHONE: (914)-934-2075  
 FAX: (914)-934-2190

**SnapMark™**  
**SMS500 & SMS700 Series**

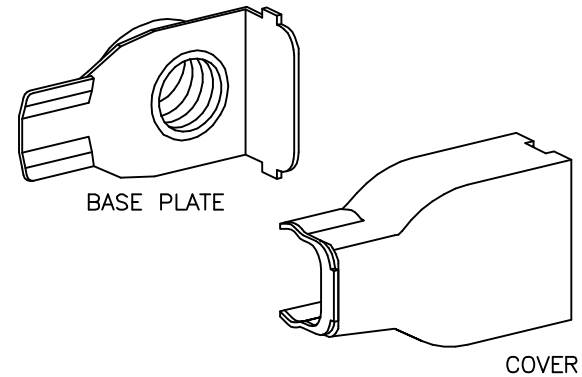
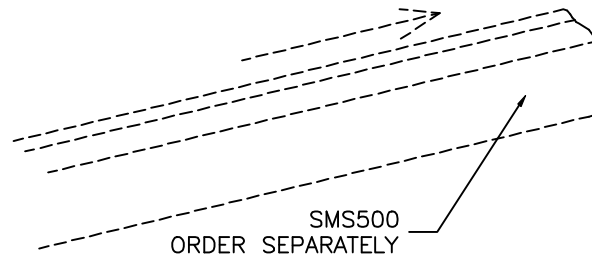
ELBOW CONDUIT CONNECTOR  
 SMS5784  
 FOR USE WITH SMS500 AND SMS700 RACEWAYS  
 MATERIAL: STEEL – GALV / IVORY FINISH



**SMS500 & SMS700 SERIES**  
 STEEL RACEWAYS  
 SECTION VIEW  
 MATERIAL: .04" GALV.  
 STANDARD IVORY FINISH  
 EACH ORDERED SEPARATELY  
 SCALE: NONE



SMS5784  
 ELBOW CONDUIT CONNECTOR  
 1/2" FEMALE



A.) USE FOR CONNECTING RACEWAY AT RIGHT ANGLES  
 TO 1/2" CONDUIT OR ARMORED CABLE.

ASSEMBLY INSTRUCTIONS

1. REMOVE APPROPRIATE RACEWAY K.O. FROM COVER.
2. SLIDE RACEWAY SECTION OVER TAB ON BASE PLATE.
3. FASTEN BASE PLATE TO 1/2" THREADED CONDUIT.
4. TERMINATE WIRING PER NEC AND LOCAL CODES.
5. SNAP COVER ON TO BASE PLATE.

FILENAME: SMS5784

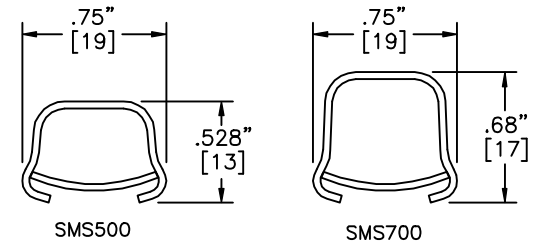
[www.monosystems.com](http://www.monosystems.com)



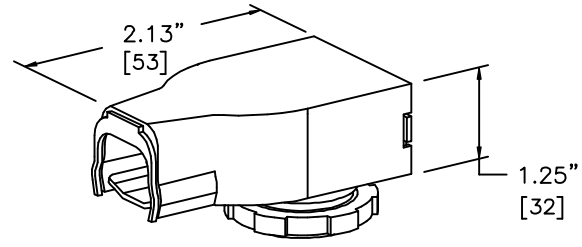
**MONO-SYSTEMS, INC.**  
 UNIQUE CABLE DISTRIBUTION SOLUTIONS  
 4 INTERNATIONAL DRIVE  
 RYE BROOK, NEW YORK 10573  
 PHONE: (914)-934-2075  
 FAX: (914)-934-2190

**SnapMark™**  
**SMS500 & SMS700 Series**

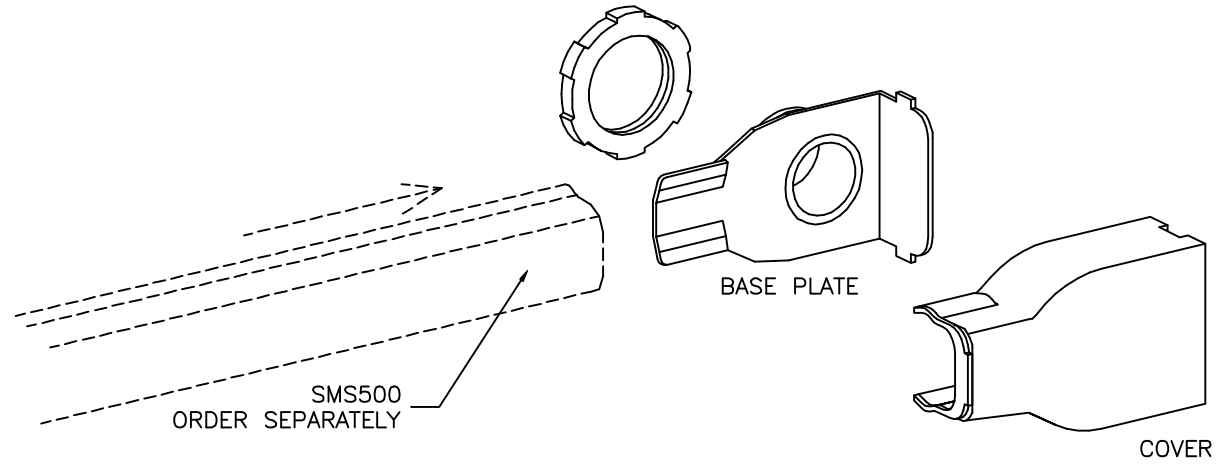
ELBOW BOX CONNECTOR  
 SMS5783  
 FOR USE WITH SMS500 AND SMS700 RACEWAYS  
 MATERIAL: STEEL – GALV / IVORY FINISH



SMS500 & SMS700 SERIES  
 STEEL RACEWAYS  
 SECTION VIEW  
 MATERIAL: .04" GALV.  
 STANDARD IVORY FINISH  
 EACH ORDERED SEPARATELY  
 SCALE: NONE



SMS5783  
 ELBOW BOX CONNECTOR  
 1/2" MALE



A.) USE FOR CONNECTING RACEWAY AT RIGHT ANGLES TO PANELS AND BOXES WITH 1/2" TRADE KNOCKOUT.

ASSEMBLY INSTRUCTIONS

1. REMOVE APPROPRIATE RACEWAY K.O. FROM COVER.
2. SLIDE RACEWAY SECTION OVER TAB ON BASE PLATE.
3. FASTEN CONNECTOR THROUGH K.O. USING PROVIDED LOCKNUT.
4. TERMINATE WIRING PER NEC AND LOCAL CODES.
5. SNAP COVER ON TO BASE PLATE.

FILENAME: SMS5783

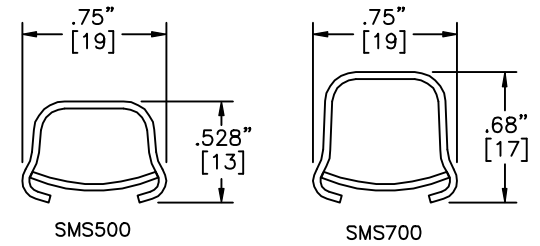
[www.monosystems.com](http://www.monosystems.com)

**MONO-SYSTEMS, INC.**  
 UNIQUE CABLE DISTRIBUTION SOLUTIONS  
 4 INTERNATIONAL DRIVE  
 RYE BROOK, NEW YORK 10573  
 PHONE: (914)-934-2075  
 FAX: (914)-934-2190

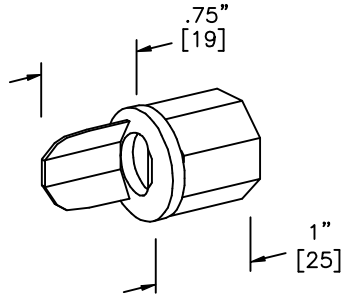
**SnapMark™**  
**SMS500 & SMS700 Series**

CONDUIT CONNECTOR

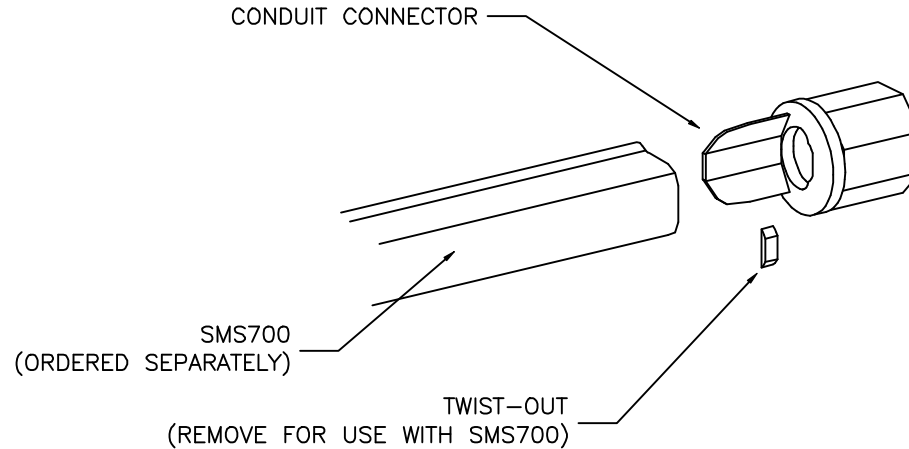
SMS5782 1/2" FEMALE  
 SMS5782A 3/4" FEMALE  
 BOTH FOR USE WITH SMS500 AND SMS700



**SMS500 & SMS700 SERIES**  
 STEEL RACEWAYS  
 SECTION VIEW  
 MATERIAL: .04" GALV.  
 STANDARD IVORY FINISH  
 EACH ORDERED SEPARATELY  
 SCALE: NONE



SMS5782 FOR (FOR 1/2" CONDUIT)  
 SMS5782A FOR (FOR 3/4" CONDUIT)



A.) MATERIAL: CAST ALUMINUM / ZINC DICAST.

ASSEMBLY INSTRUCTIONS

1. REMOVE TWIST-OUT WHEN USING WITH SMS700.
2. INSERT CONDUIT CONNECTOR INTO END OF RACEWAY AS SHOWN.
3. ATTACH BOX CONNECTOR TO THREADED CONDUIT.

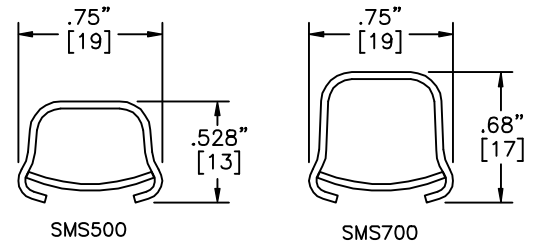


**MONO-SYSTEMS, INC.**  
 UNIQUE CABLE DISTRIBUTION SOLUTIONS  
 4 INTERNATIONAL DRIVE  
 RYE BROOK, NEW YORK 10573  
 PHONE: (914)-934-2075  
 FAX: (914)-934-2190

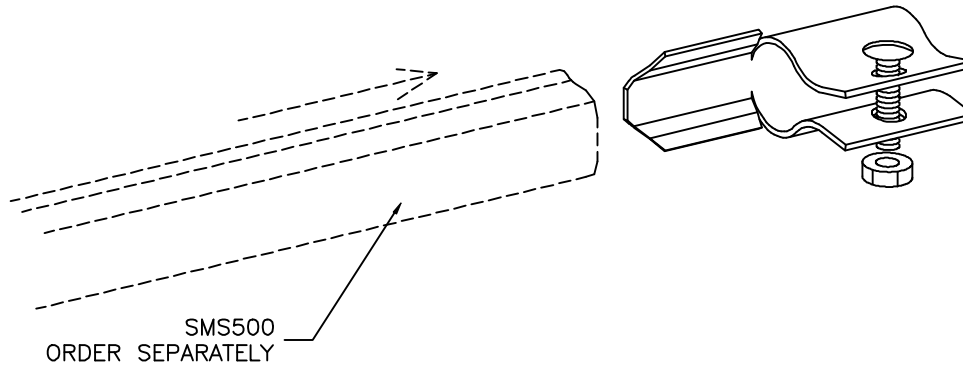
# SnapMark™

## SMS500 & SMS700 Series

ARMORED CABLE CONNECTOR  
SMS5790B  
FOR USE WITH SMS500 AND SMS700 RACEWAYS  
MATERIAL: STEEL - GALV



SMS500 & SMS700 SERIES  
STEEL RACEWAYS  
SECTION VIEW  
MATERIAL: .04" GALV.  
STANDARD IVORY FINISH  
EACH ORDERED SEPARATELY  
SCALE: NONE



A. FOR CONNECTING 14/2, 14/3, 12/2 AND 12/3  
"MC" AND ARMORED CABLE TO SMS500 / SMS700 RACEWAY.

FILENAME: SMS5709B

[www.monosystems.com](http://www.monosystems.com)



**MONO-SYSTEMS, INC.**  
UNIQUE CABLE DISTRIBUTION SOLUTIONS  
4 INTERNATIONAL DRIVE  
RYE BROOK, NEW YORK 10573  
PHONE: (914)-934-2075  
FAX: (914)-934-2190