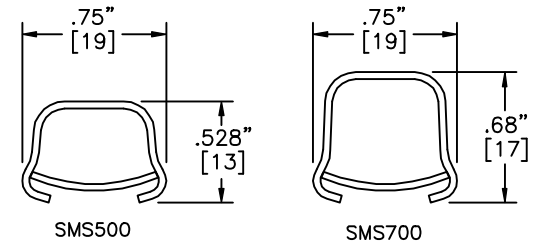


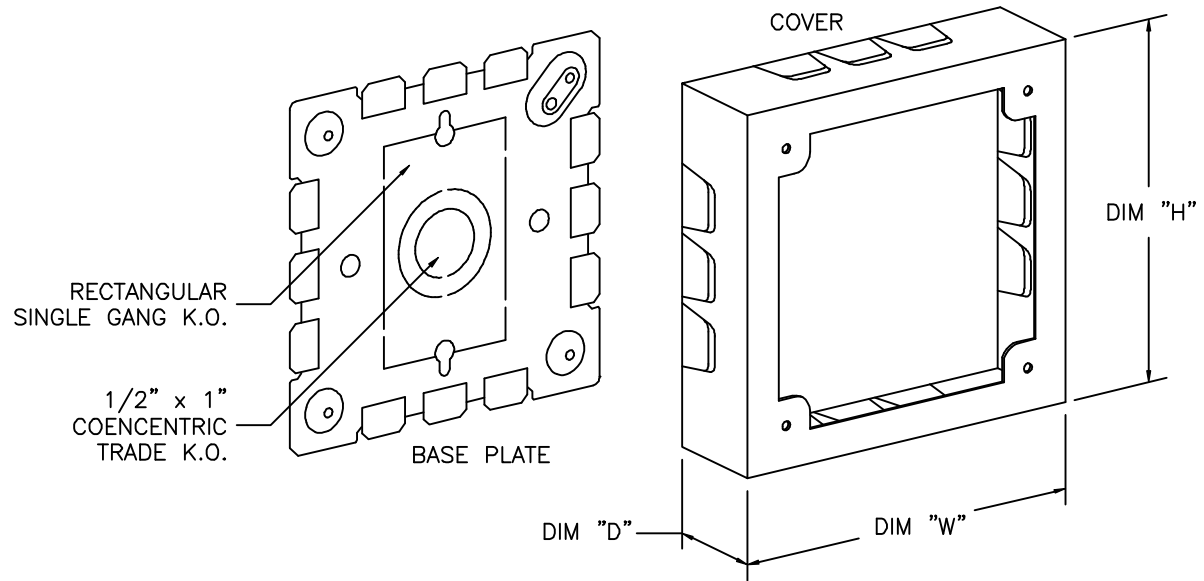
SnapMark™

SMS500 & SMS700 Series

ALARM BOXES
 FOR USE WITH SMS500 AND SMS700 RACEWAYS
 MATERIAL: STEEL – GALV / IVORY OR RED FINISH



SMS500 & SMS700 SERIES
 STEEL RACEWAYS
 SECTION VIEW
 MATERIAL: .04" GALV.
 STANDARD IVORY FINISH
 EACH ORDERED SEPARATELY
 SCALE: NONE



MSI P/N:	DESCRIPTION	DIM "D"	DIM "W"	DIM "H"	CAPACITY (C.I.)
SMS5752	ALARM DEVICE BOX - IVORY	1-3/8"	4-11/16"	4-11/16"	30
SMS5752-R	ALARM DEVICE BOX - RED	1-3/8"	4-11/16"	4-11/16"	30
SMS5753	ALARM DEVICE BOX - IVORY	2-3/4"	4-11/16"	4-11/16"	60
SMS5753-R	ALARM DEVICE BOX - RED	2-3/4"	4-11/16"	4-11/16"	60

- A.) USE FOR SURFACE MOUNTING OF ALARM AND SAFETY SIGNALS THAT ARE DESIGNED TO FIT 4" SQUARE BACK BOXES.
- B.) 10-32 GROUND SCREW PROVIDED.

ASSEMBLY INSTRUCTIONS

1. REMOVE APPROPRIATE RACEWAY K.O. FROM COVER.
2. SLIDE RACEWAY SECTIONS OVER APPROPRIATE TABS ON BASE PLATE.
3. SECURE BASE PLATE TO MOUNTING SURFACE USING APPROPRIATE HARDWARE. (BY OTHERS)
4. TERMINATE WIRING PER NEC AND LOCAL CODES.
5. ATTACH COVER TO BASE PLATE USING PROVIDED NO. 6 HARDWARE.

FILENAME: SMS57-AB

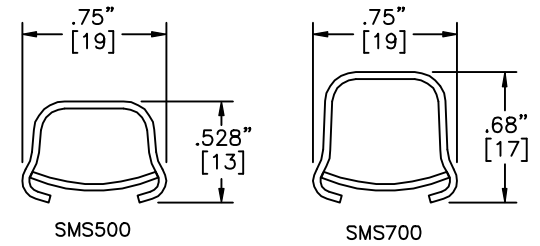
www.monosystems.com

MONO-SYSTEMS, INC.
 UNIQUE CABLE DISTRIBUTION SOLUTIONS
 4 INTERNATIONAL DRIVE
 RYE BROOK, NEW YORK 10573
 PHONE: (914)-934-2075
 FAX: (914)-934-2190

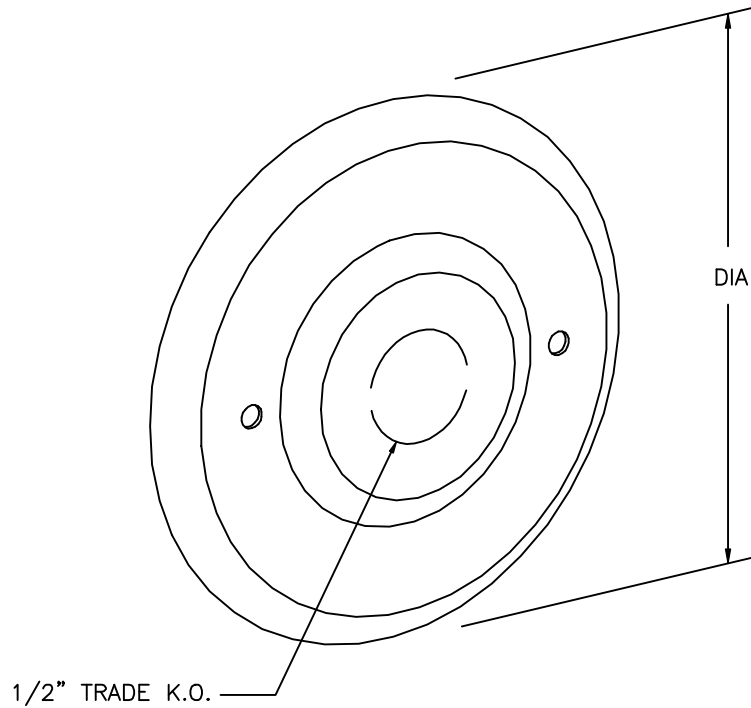
SnapMark™

SMS500 & SMS700 Series

BLANK COVERS
 FOR USE WITH SMS500 AND SMS700 RACEWAYS
 MATERIAL: STEEL – GALV / IVORY FINISH



SMS500 & SMS700 SERIES
 STEEL RACEWAYS
 SECTION VIEW
 MATERIAL: .04" GALV.
 STANDARD IVORY FINISH
 EACH ORDERED SEPARATELY
 SCALE: NONE



MSI P/N:	DESCRIPTION	DIA	DEPTH
SMS5731	BLANK COVER FOR SMS5733	3"	1/4"
SMS5736	BLANK COVER FOR SMS5735 * SMS5737 * SMS5737A * SMS5738 * SMS5738A * SMS5739 * SMS5739A * SMS2135	4-3/8"	7/16"


- A.) USE FOR CONVERTING ROUND FIXTURE BOXES INTO PULL OR JUNCTION BOXES.
- B.) CAN BE USED WITH ROUND FIXTURE BOXES TO HANG LIGHT WEIGHT PENDANT FIXTURES WITH 1/2" PIPE STEMS.

ASSEMBLY INSTRUCTIONS

1. ATTACH BLANK COVER TO FIXTURE BOX COVER USING PROVIDED HARDWARE.

FILENAME: SMS57-BC

www.monosystems.com

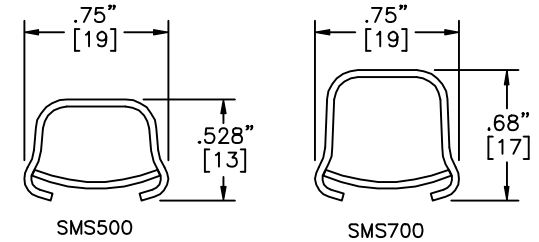
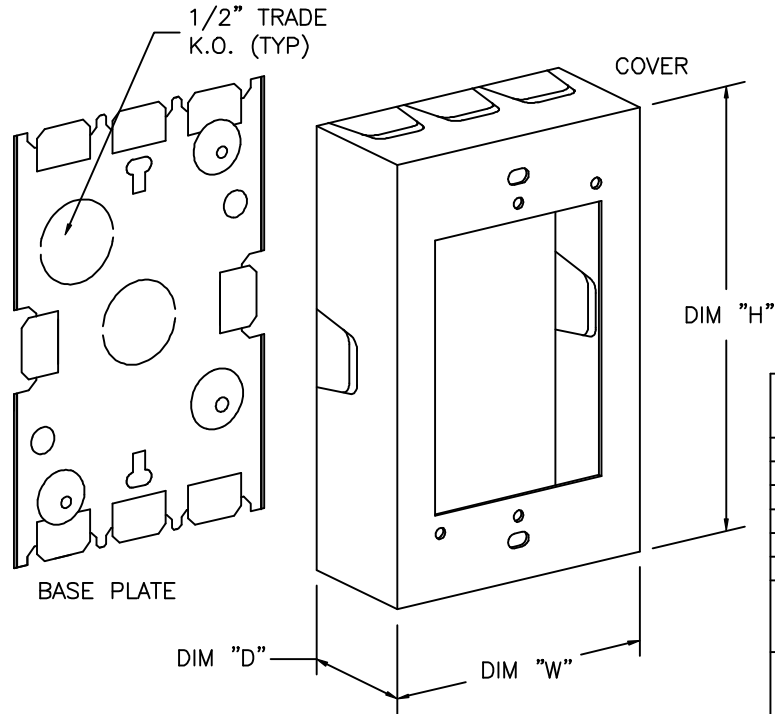


MONO-SYSTEMS, INC.
 UNIQUE CABLE DISTRIBUTION SOLUTIONS
 4 INTERNATIONAL DRIVE
 RYE BROOK, NEW YORK 10573
 PHONE: (914)-934-2075
 FAX: (914)-934-2190

SnapMark™

SMS500 & SMS700 Series

DEVICE BOXES
FOR USE WITH SMS500 AND SMS700 RACEWAYS
MATERIAL: STEEL – GALV / IVORY FINISH



SMS500 & SMS700 SERIES
STEEL RACEWAYS
SECTION VIEW
MATERIAL: .04" GALV.
STANDARD IVORY FINISH
EACH ORDERED SEPARATELY
SCALE: NONE

MSI P/N:	DESCRIPTION	DIM "D"	DIM "W"	DIM "H"	GANG	CAPACITY (C.I.)
SMS5744	EXTRA DEEP SWITCH & RECT BOX	2-3/4"	2-7/8"	4-5/8"	1	36
SMS5744-2	EXTRA DEEP SWITCH & RECT BOX	2-3/4"	4-3/4"	4-3/4"	2	62
SMS5744-3	EXTRA DEEP SWITCH & RECT BOX	2-3/4"	6-1/2"	4-5/8"	3	100
SMS5744S	DEEP SWITCH & RECT BOX	2-1/4"	2-7/8"	4-5/8"	1	30
SMS5744S-2	DEEP SWITCH & RECT BOX	2-1/4"	4-3/4"	4-3/4"	2	50
SMS5744S-3	DEEP SWITCH & RECT BOX	2-1/4"	6-1/2"	4-5/8"	3	67
SMS5741	SHALLOW SWITCH & RECT BOX WITH OFFSET RACEWAY TABS FOR MOUNTING NEXT TO INTERIOR TRIM.	1-3/8"	2-13/16"	4-5/8"	1	17
SMS5745	SHALLOW SWITCH & RECT BOX WITH K.O.'s ON COVER FOR CONNECTION TO 1/2" CONDUIT.	1-3/4"	2-7/8"	4-5/8"	1	23
SMS5747	SHALLOW SWITCH & RECT BOX	1-3/8"	2-7/8"	4-5/8"	1	18
SMS5747-2	SHALLOW SWITCH & RECT BOX	1-3/8"	4-3/4"	4-3/4"	2	31
SMS5747-3	SHALLOW SWITCH & RECT BOX	1-3/8"	6-1/2"	4-5/8"	3	41
SMS5748	SWITCH AND RECT BDX	1-3/4"	2-7/8"	4-5/8"	1	23
SMS5748-2	SWITCH AND RECT BDX	1-3/4"	4-3/4"	4-3/4"	2	39
SMS5748-3	SWITCH AND RECT BDX	1-3/4"	6-1/2"	4-5/8"	3	52
SMS5748-4	SWITCH AND RECT BDX	1-3/4"	8-11/32"	4-5/8"	4	67
SMS5748-5	SWITCH AND RECT BDX	1-3/4"	10-5/32"	4-5/8"	5	82
SMS5748-6	SWITCH AND RECT BDX	1-3/4"	11-31/32"	4-5/8"	6	96
SMS5748S	EXTRA SHALLOW SWITCH AND RECT BOX	15/16"	2-7/8"	4-5/8"	1	12

- A.) FOR SWITCHES, RECEPTACLES AND COMBINATION DEVICES.
B.) 10-32 GROUND SCREW PROVIDED.

ASSEMBLY INSTRUCTIONS

1. REMOVE APPROPRIATE RACEWAY K.O. FROM COVER.
2. SLIDE RACEWAY SECTIONS OVER APPROPRIATE TABS ON BASE PLATE.
3. SECURE BASE PLATE TO MOUNTING SURFACE USING APPROPRIATE HARDWARE. (BY OTHERS)
4. TERMINATE WIRING PER NEC AND LOCAL CODES.
5. ATTACH COVER TO BASE PLATE USING PROVIDED NO. 6 HARDWARE.

FILENAME: SMS57-DB

www.monosystems.com

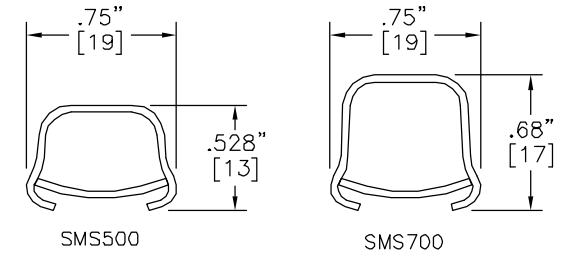
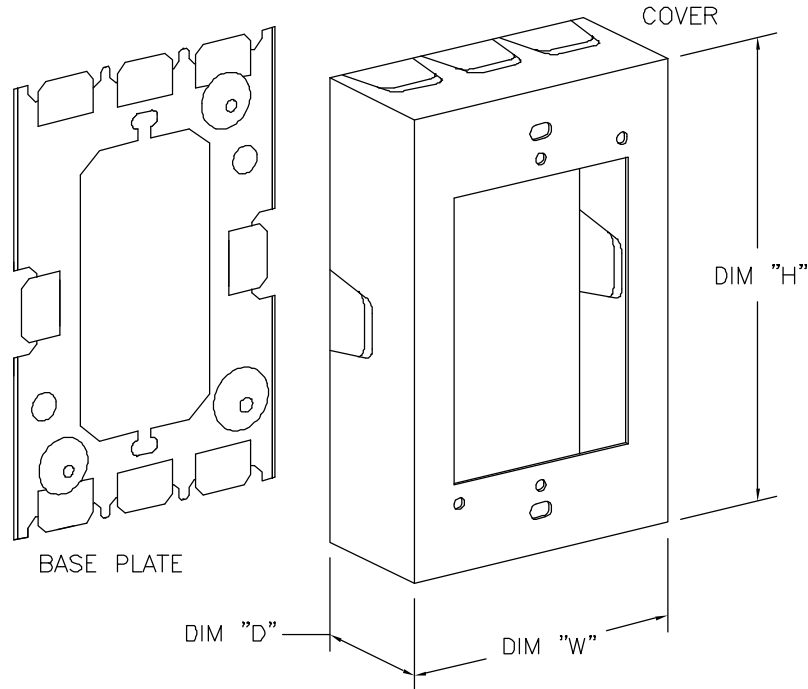


MONO-SYSTEMS, INC.
UNIQUE CABLE DISTRIBUTION SOLUTIONS
4 INTERNATIONAL DRIVE
RYE BROOK, NEW YORK 10573
PHONE: (914)-934-2075
FAX: (914)-934-2190

SnapMark™

SMS500 & SMS700 Series

DEVICE BOX EXTENSIONS
 FOR USE WITH SMS500 AND SMS700 RACEWAYS
 MATERIAL: STEEL – GALV / IVORY FINISH



SMS500 & SMS700 SERIES
 STEEL RACEWAYS
 SECTION VIEW
 MATERIAL: .04" GALV.
 STANDARD IVORY FINISH
 EACH ORDERED SEPARATELY
 SCALE: NONE

A.) FOR EXTENSIONS FROM EXISTING FLUSH SWITCH AND RECEPTACLE BOXES.

B.) 10–32 GROUND SCREW PROVIDED.

ASSEMBLY INSTRUCTIONS

1. REMOVE APPROPRIATE RACEWAY K.O. FROM COVER.
2. SLIDE RACEWAY SECTIONS OVER APPROPRIATE TABS ON BASE PLATE.
3. SECURE BASE PLATE TO MOUNTING SURFACE USING APPROPRIATE HARDWARE. (BY OTHERS)
4. TERMINATE WIRING PER NEC AND LOCAL CODES.
5. ATTACH COVER TO BASE PLATE USING PROVIDED NO. 6 HARDWARE.

MSI P/N:	DESCRIPTION	DIM "D"	DIM "W"	DIM "H"	GANG	CAPACITY (C.I.)
SMS5751	FLUSH TYPE EXTENSION ADAPTER	15/16"	2-7/8"	4-5/8"	1	12
SMS5751A	DEEP FLUSH TYPE EXTENSION ADAPTER	1-3/4"	2-7/8"	4-5/8"	1	23
SMS5751-2	FLUSH TYPE EXTENSION ADAPTER	15/16"	4-3/4"	4-3/4"	2	21
SMS5751-3	FLUSH TYPE EXTENSION ADAPTER	15/16"	6-1/2"	4-5/8"	3	28
SMS5760	FLUSH TYPE EXTENSION ADAPTER WITH BLANK COVER FOR DEVICE ABANDONMENT OR JUNCTION.	15/16"	2-7/8"	4-5/8"	1	12

FILENAME: SMS57-DBE

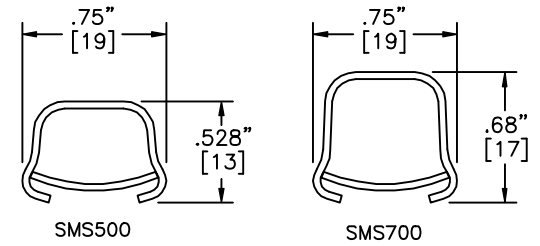
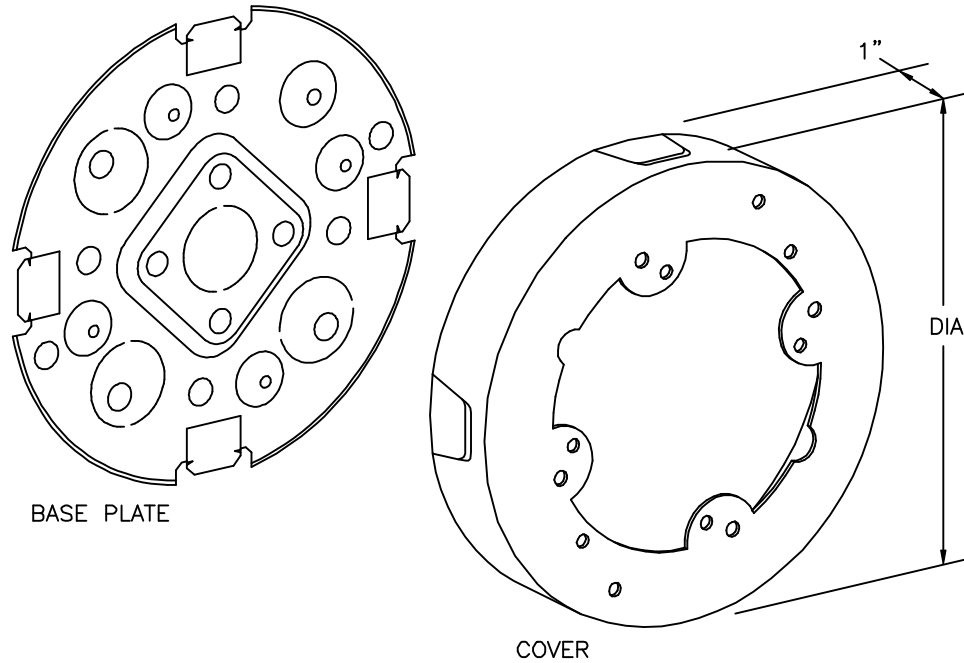
www.monosystems.com



MONO-SYSTEMS, INC.
 UNIQUE CABLE DISTRIBUTION SOLUTIONS
 4 INTERNATIONAL DRIVE
 RYE BROOK, NEW YORK 10573
 PHONE: (914)-934-2075
 FAX: (914)-934-2190

SnapMark™
SMS500 & SMS700 Series

ROUND FIXTURE BOXES
 FOR USE WITH SMS500 AND SMS700 RACEWAYS
 MATERIAL: STEEL – GALV / IVORY FINISH



SMS500 & SMS700 SERIES
 STEEL RACEWAYS
 SECTION VIEW
 MATERIAL: .04" GALV.
 STANDARD IVORY FINISH
 EACH ORDERED SEPARATELY
 SCALE: NONE

- A.) USE FOR HANGING FIXTURES WITH MOUNTING CENTERS OF 2-3/4, 3-1/2 AND 4-1/16 INCHES.
- B.) BASE HAS FOUR HOLES FOR FIXTURE STUDS AND FIVE 1/2" TRADE SIZE K.O.s.
- C.) NOT FOR USE WITH CEILING FANS.
- D.) 10-32 GROUND SCREW PROVIDED.

ASSEMBLY INSTRUCTIONS

1. REMOVE APPROPRIATE RACEWAY K.O. FROM COVER.
2. SLIDE RACEWAY SECTIONS OVER APPROPRIATE TABS ON BASE PLATE.
3. SECURE BASE PLATE TO MOUNTING SURFACE USING APPROPRIATE HARDWARE. (BY OTHERS)
4. TERMINATE WIRING PER NEC AND LOCAL CODES.
5. ATTACH COVER TO BASE PLATE USING PROVIDED NO. 6 HARDWARE.

MSI P/N:	DESCRIPTION		CAPACITY (C.I.)
SMS5738	FIXTURE BOX - 1" DEEP	4-3/4"	17
SMS5738A	FIXTURE BOX - 1" DEEP	5-1/2"	23
SMS5739	FIXTURE BOX - 1" DEEP	6-3/8"	31

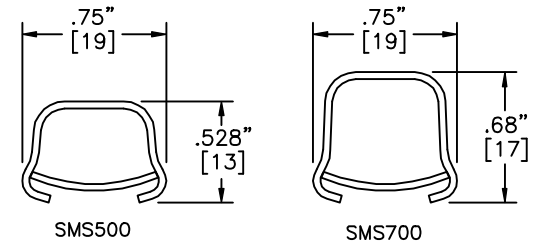
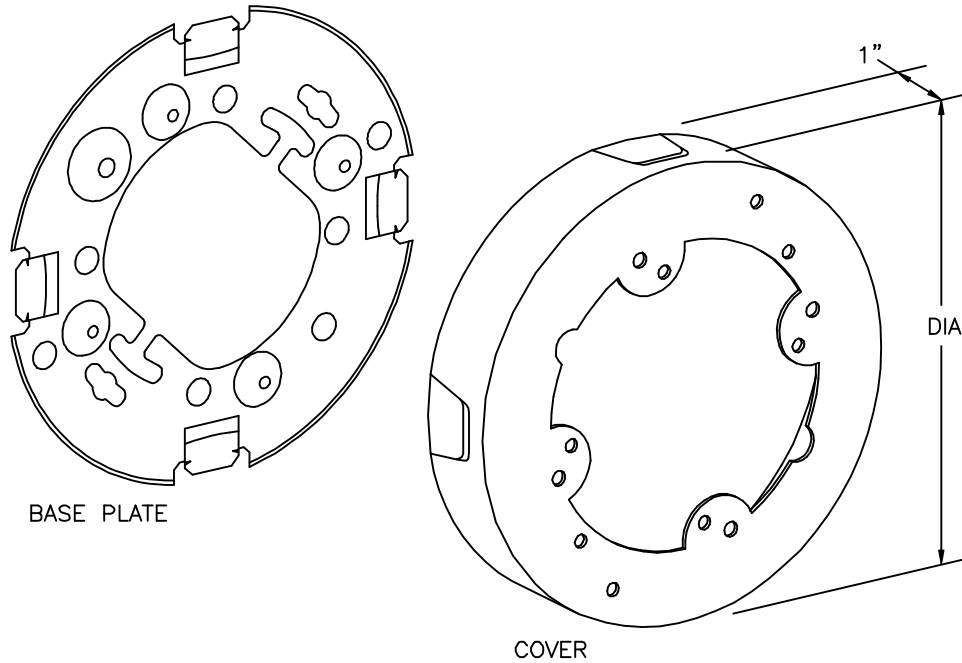
FILENAME: SMS57-FB

www.monosystems.com

MONO-SYSTEMS, INC.
 UNIQUE CABLE DISTRIBUTION SOLUTIONS
 4 INTERNATIONAL DRIVE
 RYE BROOK, NEW YORK 10573
 PHONE: (914)-934-2075
 FAX: (914)-934-2190

SnapMark™
SMS500 & SMS700 Series

ROUND FIXTURE BOX EXTENSIONS
 FOR USE WITH SMS500 AND SMS700 RACEWAYS
 MATERIAL: STEEL – GALV / IVORY FINISH



SMS500 & SMS700 SERIES
 STEEL RACEWAYS
 SECTION VIEW
 MATERIAL: .04" GALV.
 STANDARD IVORY FINISH
 EACH ORDERED SEPARATELY
 SCALE: NONE

MSI P/N:	DESCRIPTION	DIA	CAPACITY (C.I.)
SMS5737	FIXTURE BOX EXTENSION	4-3/4"	17
SMS5737A	FIXTURE BOX EXTENSION	5-1/2"	23
SMS5739A	FIXTURE BOX EXTENSION	6-3/8"	31

- A.) USE FOR MOUNTING ON 3-1/4" OR 4" CONDUIT BOXES OR OTHER RECESSED OUTLETS.
- B.) USE FOR HANGING FIXTURES WITH MOUNTING CENTERS OF 2-3/4, 3-1/2 AND 4-1/16 INCHES.
- C.) NOT FOR USE WITH CEILING FANS.
- D.) 10-32 GROUND SCREW PROVIDED.

ASSEMBLY INSTRUCTIONS

1. REMOVE APPROPRIATE RACEWAY K.O. FROM COVER.
2. SLIDE RACEWAY SECTIONS OVER APPROPRIATE TABS ON BASE PLATE.
3. SECURE BASE PLATE TO MOUNTING SURFACE USING APPROPRIATE HARDWARE. (BY OTHERS)
4. TERMINATE WIRING PER NEC AND LOCAL CODES.
5. ATTACH COVER TO BASE PLATE USING PROVIDED NO. 6 HARDWARE.

FILENAME: SMS57-FBE

www.monosystems.com

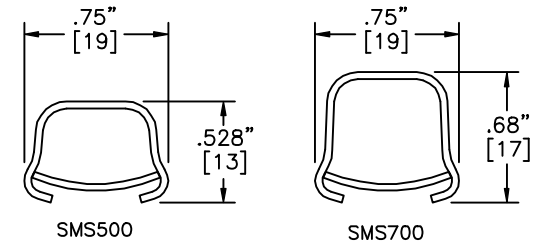


MONO-SYSTEMS, INC.
 UNIQUE CABLE DISTRIBUTION SOLUTIONS
 4 INTERNATIONAL DRIVE
 RYE BROOK, NEW YORK 10573
 PHONE: (914)-934-2075
 FAX: (914)-934-2190

SnapMark™

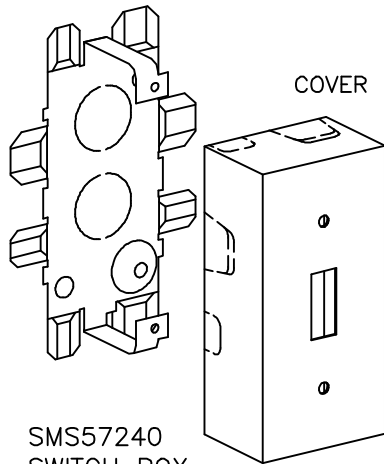
SMS500 & SMS700 Series

SPECIALTY BOXES
 FOR USE WITH SMS500 AND SMS700 RACEWAYS
 MATERIAL: STEEL – GALV / IVORY FINISH



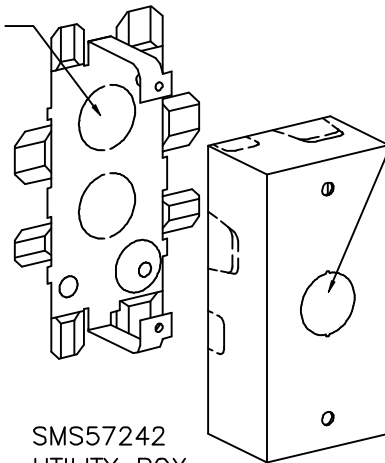
SMS500 & SMS700 SERIES
 STEEL RACEWAYS
 SECTION VIEW
 MATERIAL: .04" GALV.
 STANDARD IVORY FINISH
 EACH ORDERED SEPARATELY
 SCALE: NONE

BASE PLATE (TYP)



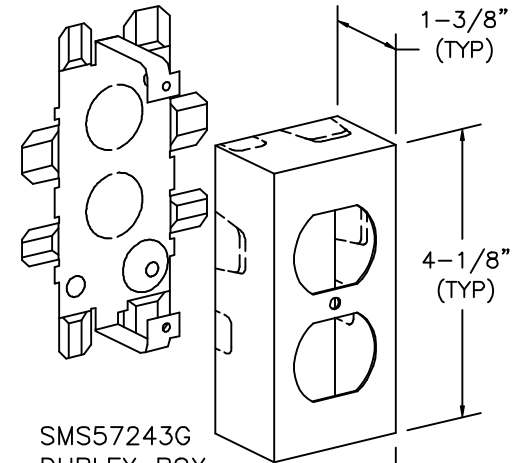
SMS57240
 SWITCH BOX
 11 C.I. CAPACITY
 (15A DEV. MAX)

1/2" TRADE
 K.O. TYP



SMS57242
 UTILITY BOX
 11 C.I. CAPACITY

1/2" TRADE
 K.O.



SMS57243G
 DUPLEX BOX
 11 C.I. CAPACITY
 (15A DEV. MAX)

ASSEMBLY INSTRUCTIONS

1. REMOVE APPROPRIATE RACEWAY K.O. FROM COVER.
2. REMOVE ALL UNUSED MOUNTING TABS ON BASE PLATE.
3. SLIDE RACEWAY SECTIONS OVER APPROPRIATE TABS ON BASE PLATE.
4. SECURE BASE PLATE TO MOUNTING SURFACE USING APPROPRIATE HARDWARE. (BY OTHERS)
5. TERMINATE WIRING PER NEC AND LOCAL CODES.
6. ATTACH COVER TO BASE PLATE USING PROVIDED NO. 6 HARDWARE.

FILENAME: SMS57-SB

www.monosystems.com

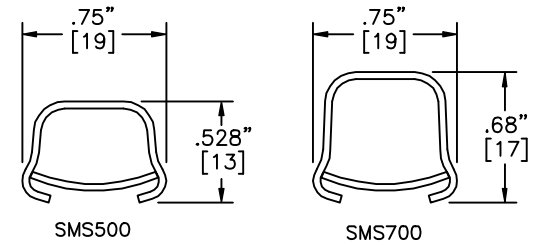


MONO-SYSTEMS, INC.
 UNIQUE CABLE DISTRIBUTION SOLUTIONS
 4 INTERNATIONAL DRIVE
 RYE BROOK, NEW YORK 10573
 PHONE: (914)-934-2075
 FAX: (914)-934-2190

SnapMark™
SMS500 & SMS700 Series

BUSHING

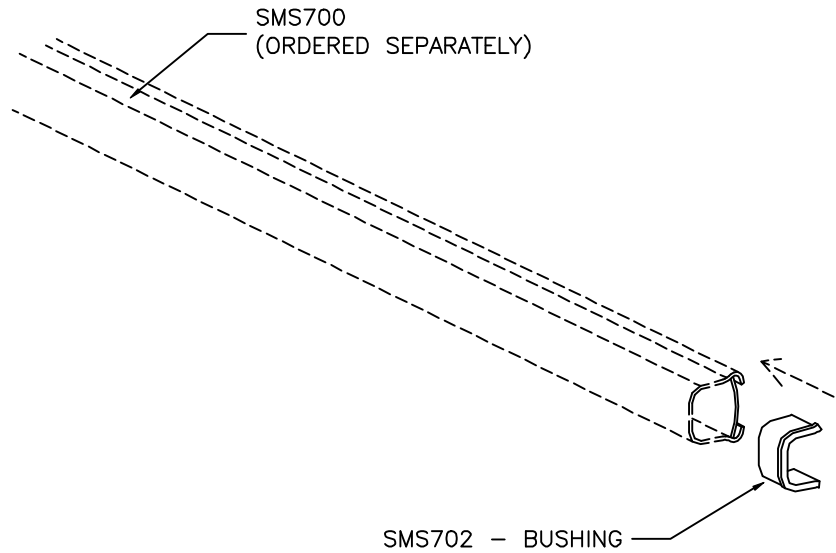
SMS502 FOR USE WITH SMS500
 SMS702 FOR USE WITH SMS700



SMS500 & SMS700 SERIES
 STEEL RACEWAYS
 SECTION VIEW
 MATERIAL: .04" GALV.
 STANDARD IVORY FINISH
 EACH ORDERED SEPARATELY
 SCALE: NONE



SMS702
 BUSHING



- A.) USE TO PROTECT CONDUCTORS FROM ABRASION.
- B.) ALL EXPOSED RACEWAY / FITTING SURFACES ARE PRE-PAINTED IVORY.

ASSEMBLY INSTRUCTIONS

1. INSERT BUSHING INTO OPEN END OF RACEWAY AT ENTRANCES TO ALL FITTINGS.

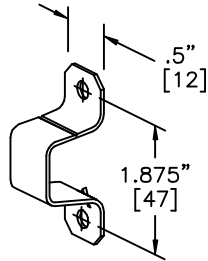


MONO-SYSTEMS, INC.
 UNIQUE CABLE DISTRIBUTION SOLUTIONS
 4 INTERNATIONAL DRIVE
 RYE BROOK, NEW YORK 10573
 PHONE: (914)-934-2075
 FAX: (914)-934-2190

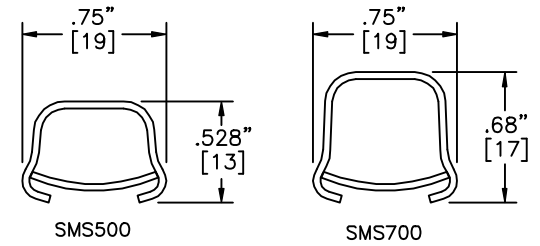
SnapMark™
SMS500 & SMS700 Series

MOUNTING STRAP

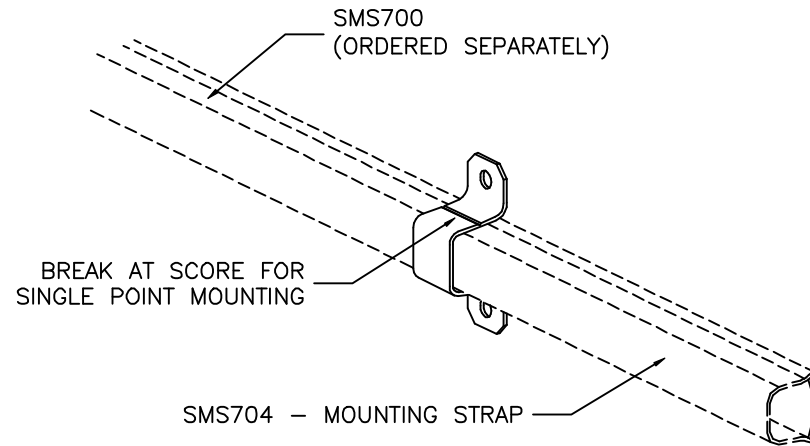
SMS504 FOR USE WITH SMS500
 SMS704 FOR USE WITH SMS700



SMS704
 MOUNTING STRAP



SMS500 & SMS700 SERIES
 STEEL RACEWAYS
 SECTION VIEW
 MATERIAL: .04" GALV.
 STANDARD IVORY FINISH
 EACH ORDERED SEPARATELY
 SCALE: NONE



- A.) FOR SUPPORTING RACEWAY ON WALL AND CEILING SURFACES.
- B.) CAN ALSO BE USED AS A SINGLE POINT STRAP BY BREAKING AT SCORE.
- C.) ALL EXPOSED RACEWAY / FITTING SURFACES ARE PRE-PAINTED IVORY.

ASSEMBLY INSTRUCTIONS

1. ATTACH CLIPS OVER RACEWAY TO MOUNTING SURFACE EVERY 2'-6" USING NO. 8 SCREWS. (BY OTHERS)

FILENAME: SMS504-704

www.monosystems.com

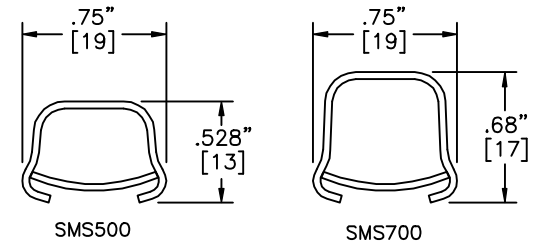


MONO-SYSTEMS, INC.
 UNIQUE CABLE DISTRIBUTION SOLUTIONS
 4 INTERNATIONAL DRIVE
 RYE BROOK, NEW YORK 10573
 PHONE: (914)-934-2075
 FAX: (914)-934-2190

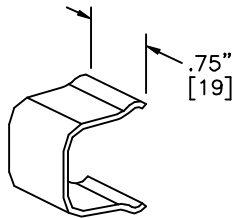
SnapMark™
SMS500 & SMS700 Series

CONNECTION COVER

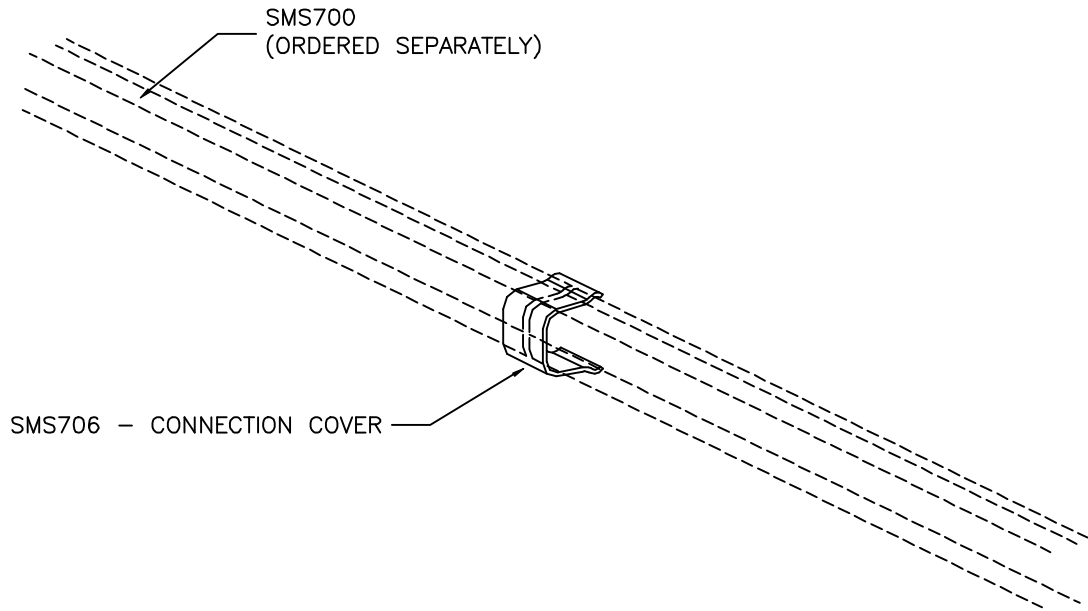
SMS506 FOR USE WITH SMS500
 SMS706 FOR USE WITH SMS700



SMS500 & SMS700 SERIES
 STEEL RACEWAYS
 SECTION VIEW
 MATERIAL: .04" GALV.
 STANDARD IVORY FINISH
 EACH ORDERED SEPARATELY
 SCALE: NONE



SMS706
 CONNECTION COVER



- A.) USE TO COVER OPENINGS WHERE UNSQUARELY CUT RACEWAYS MEET.
- B.) ALL EXPOSED RACEWAY / FITTING SURFACES ARE PRE-PAINTED IVORY.

ASSEMBLY INSTRUCTIONS

1. SNAP OVER RACEWAYS AS SHOWN.

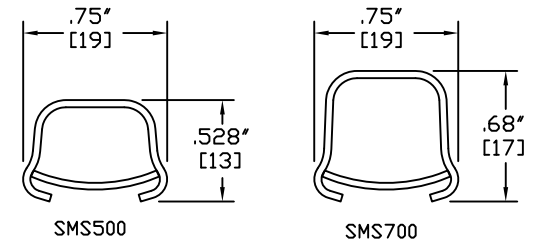


MONO-SYSTEMS, INC.
 UNIQUE CABLE DISTRIBUTION SOLUTIONS
 4 INTERNATIONAL DRIVE
 RYE BROOK, NEW YORK 10573
 PHONE: (914)-934-2075
 FAX: (914)-934-2190

SnapMark™

SMS500 & SMS700 Series

RACEWAY BASE SECTIONS
 SMS500 BASE - 10' [3m] LENGTH
 SMS700 BASE - 10' [3m] LENGTH



SMS500 & SMS700 SERIES
 STEEL RACEWAYS
 SECTION VIEW
 MATERIAL: .04" GALV.
 STANDARD IVORY FINISH
 EACH ORDERED SEPARATELY
 SCALE: NONE

DATA/COMM. WIRE FILL CAPACITIES					
CABLE TYPE	CATEGORY/DESIGNATION	20% FILL		40% FILL	
		SMS500	SMS700	SMS500	SMS700
UNSHIELDED TWISTED PAIR	4-PAIR, 24 AWG Cat 5 UTP	1	1	2	3
	4-PAIR, 24 AWG Cat 3 UTP	1	1	3	4
TELEPHONE	2-PAIR, 24 AWG	2	3	5	6
	3-PAIR, 24 AWG	2	3	4	5
	4-PAIR, 24 AWG	1	1	3	3
COAXIAL	RG58/U	1	1	2	3
	RG59/U	1	1	1	2
	RG62/U	1	1	1	2
	RG6/U	0	0	1	1
TWINAXIAL	100 Ohm	0	0	1	1
SHIELDED TWISTED PAIR	TYPE 1	0	0	0	1
	TYPE 3	1	1	1	2

POWER WIRE FILL CAPACITY		
WIRE SIZE THHN/THWN	<40% FILL> SMS500 SMS700	
10 Awg	3	4
12 Awg	5	7
14 Awg	7	10

SMS5701 - COUPLING
 (ONE PROVIDED PER SECTION)

SMS500
 ONE PIECE RACEWAY

SMS700
 ONE PIECE RACEWAY

A.) ALL EXPOSED RACEWAY / FITTING SURFACES ARE PRE-PAINTED IVORY.



ASSEMBLY INSTRUCTIONS

1. RIGIDLY SECURE BASE SECTION TO STRUCTURAL BUILDING MEMBER OR WALL CONSTRUCTION AT 18" MAXIMUM MOUNTING CENTERS USING SUPPORT OR MOUNTING CLIPS. (ORDERED SEPARATELY) ENGINEER TO VERIFY FASTENERS & MOUNTING INTERVAL BASED ON MOUNTING SURFACE CONSTRUCTION. (HARDWARE BY OTHERS)



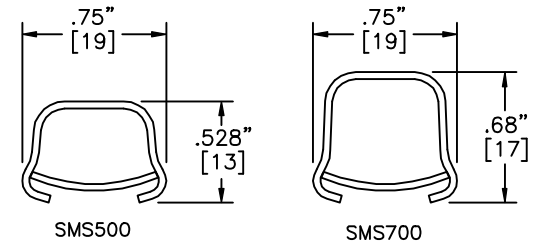
MONO-SYSTEMS, INC.
 UNIQUE CABLE DISTRIBUTION SOLUTIONS
 4 INTERNATIONAL DRIVE
 RYE BROOK, NEW YORK 10573
 PHONE: (914)-934-2075
 FAX: (914)-934-2190

FILENAME: SMS5700

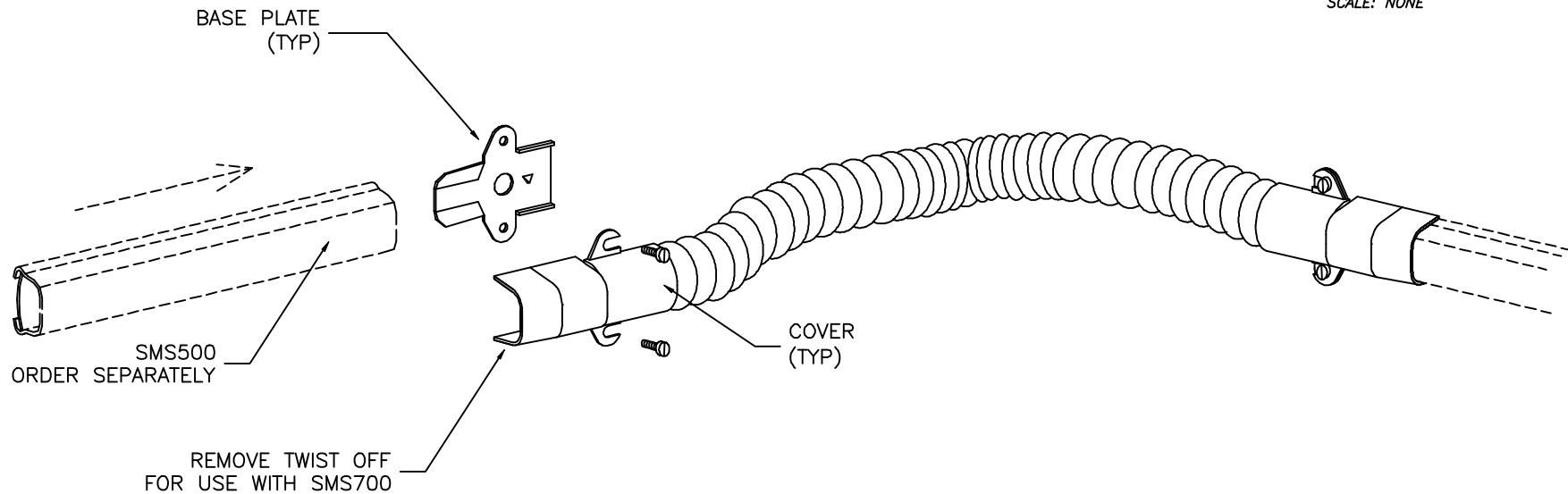
www.monosystems.com

SnapMark™
SMS500 & SMS700 Series

FLEXIBLE SECTION
 SMS5700F
 FOR USE WITH SMS500 AND SMS700 RACEWAYS
 MATERIAL: STEEL – GALV / IVORY FINISH



SMS500 & SMS700 SERIES
 STEEL RACEWAYS
 SECTION VIEW
 MATERIAL: .04" GALV.
 STANDARD IVORY FINISH
 EACH ORDERED SEPARATELY
 SCALE: NONE



- A.) 18" OVERALL LENGTH.
- B.) USE FOR EASILY PROVIDING OFFSETS, SIDE BENDS AND TWISTED TURNS.
- C.) WILL ACCOMODATE FOR CURVED MOUNTING SURFACES.
- D.) SAME WIREFILL AS SMS500 AND SMS700.

ASSEMBLY INSTRUCTIONS

1. REMOVE INDICATED TWIST OUT FOR USE WITH SMS700.
2. SLIDE RACEWAY SECTIONS OVER APPROPRIATE TAB ON BASE PLATES.
3. SECURE COVER TO EACH BASE PLATE USING PROVIDED HARDWARE.
4. TERMINATE WIRING PER NEC AND LOCAL CODES.

FILENAME: SMS5700F

www.monosystems.com

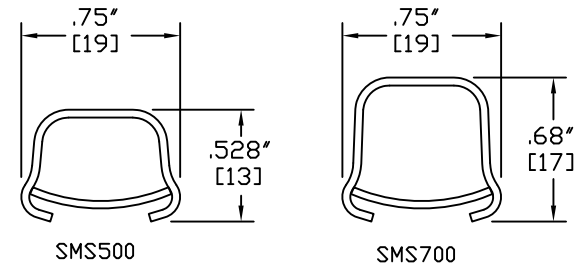


MONO-SYSTEMS, INC.
 UNIQUE CABLE DISTRIBUTION SOLUTIONS
 4 INTERNATIONAL DRIVE
 RYE BROOK, NEW YORK 10573
 PHONE: (914)-934-2075
 FAX: (914)-934-2190

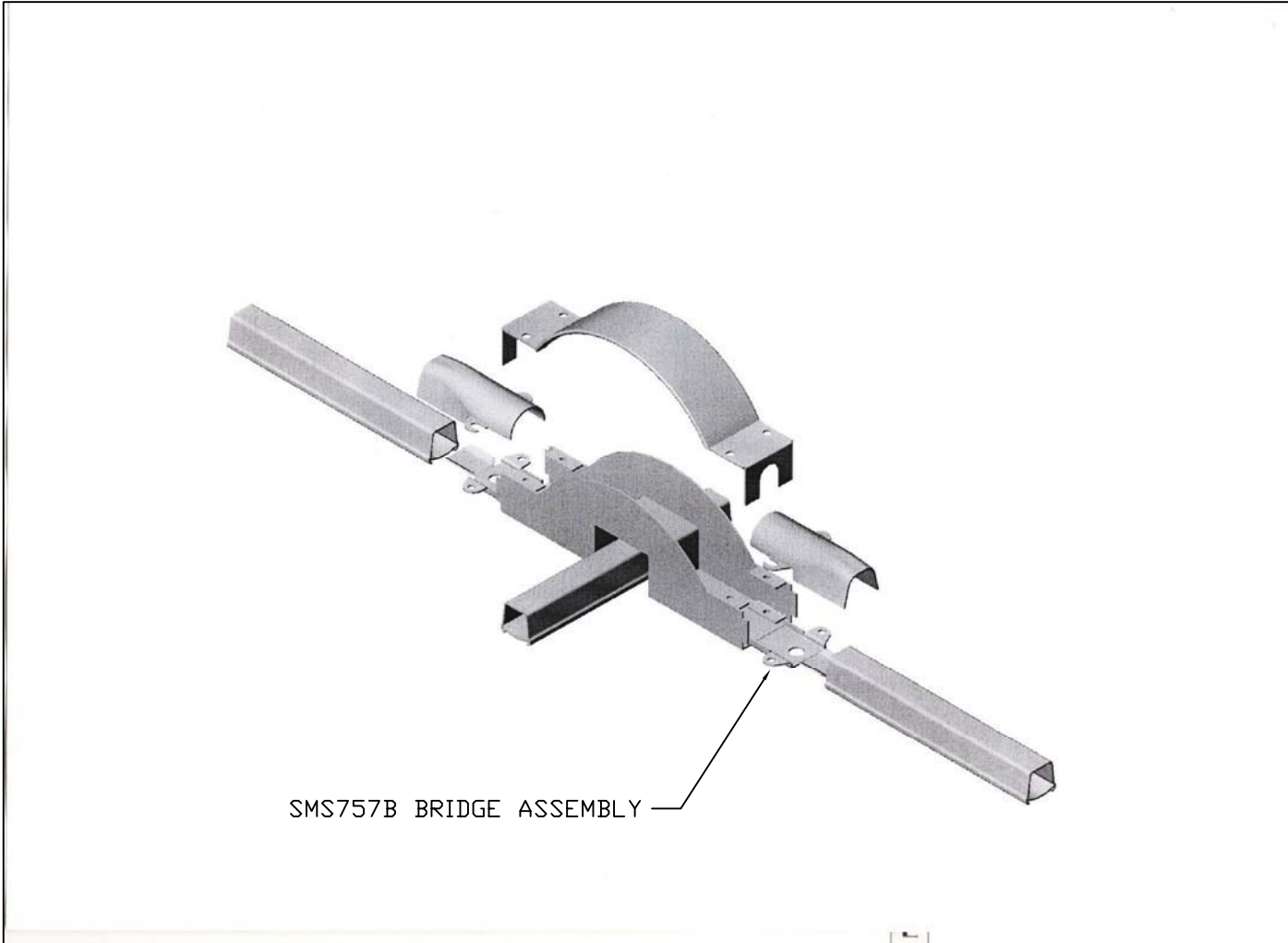
SnapMark™

SMS500 & SMS700 Series

STEEL BRIDGE ASSEMBLY
 M.S.I. P/N: SMS757B
 SMS700 SERIES BRIDGE
 FOR USE WITH SMS500 AND SMS700 RACEWAYS
 MATERIAL: STEEL - GALV



SMS500 & SMS700 SERIES
 STEEL RACEWAYS
 SECTION VIEW
 MATERIAL: .04" GALV.
 STANDARD IVORY FINISH
 EACH ORDERED SEPARATELY
 SCALE: NONE



SMS757B BRIDGE ASSEMBLY

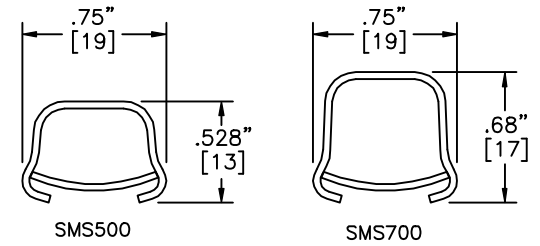


MONO-SYSTEMS, INC.
 UNIQUE CABLE DISTRIBUTION SOLUTIONS
 4 INTERNATIONAL DRIVE
 RYE BROOK, NEW YORK 10573
 PHONE: (914)-934-2075
 FAX: (914)-934-2190

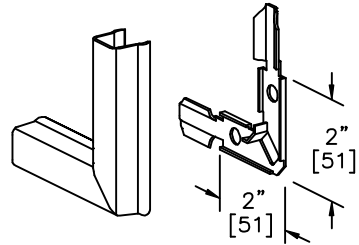
SnapMark™
SMS500 & SMS700 Series

90° FLAT ELBOW

SMS511 FOR USE WITH SMS500
 SMS711 FOR USE WITH SMS700

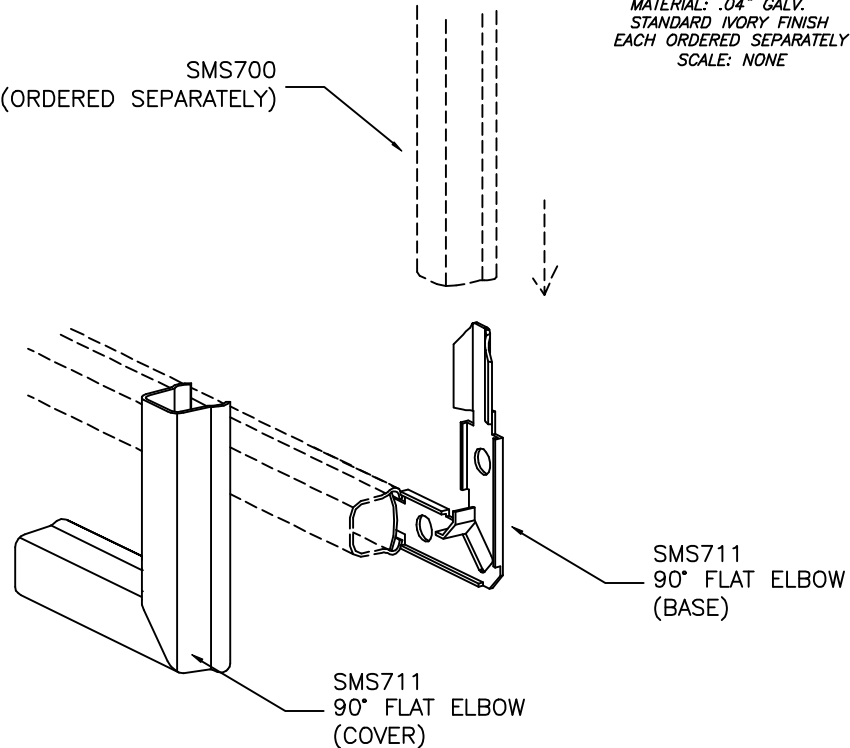


SMS500 & SMS700 SERIES
 STEEL RACEWAYS
 SECTION VIEW
 MATERIAL: .04" GALV.
 STANDARD IVORY FINISH
 EACH ORDERED SEPARATELY
 SCALE: NONE



SMS711
 90° FLAT ELBOW

SMS700
 (ORDERED SEPARATELY)



- A.) FOR RIGHT ANGLE TURNS ON A FLAT SURFACE.
- B.) ALL EXPOSED RACEWAY / FITTING SURFACES ARE PRE-PAINTED IVORY.

ASSEMBLY INSTRUCTIONS

1. INSERT SMS711 BASE INTO ENDS OF RACEWAYS AS SHOWN.
2. ATTACH BASE TO MOUNTING SURFACE USING NO. 8 HARDWARE OR LARGER. (BY OTHERS)
3. INSERT APPROPRIATE BUSHINGS. (ORDERED SEPARATELY)
4. SNAP COVER OVER BASE SECTIONS UPON COMPLETION.

FILENAME: SMS511-711

www.monosystems.com



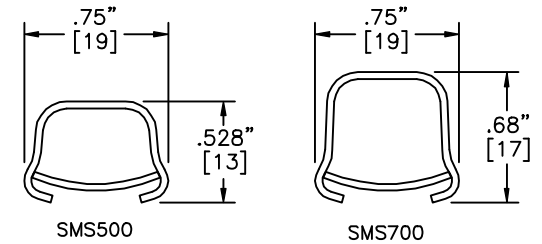
MONO-SYSTEMS, INC.
 UNIQUE CABLE DISTRIBUTION SOLUTIONS
 4 INTERNATIONAL DRIVE
 RYE BROOK, NEW YORK 10573
 PHONE: (914)-934-2075
 FAX: (914)-934-2190

SnapMark™

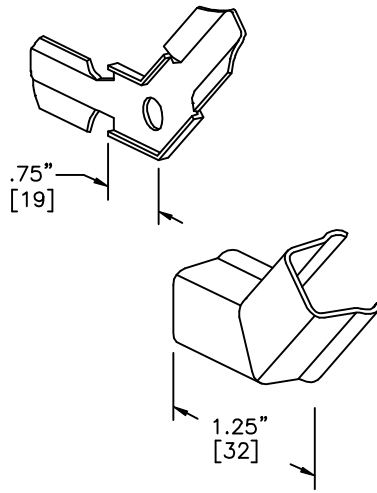
SMS500 & SMS700 Series

45° FLAT ELBOW

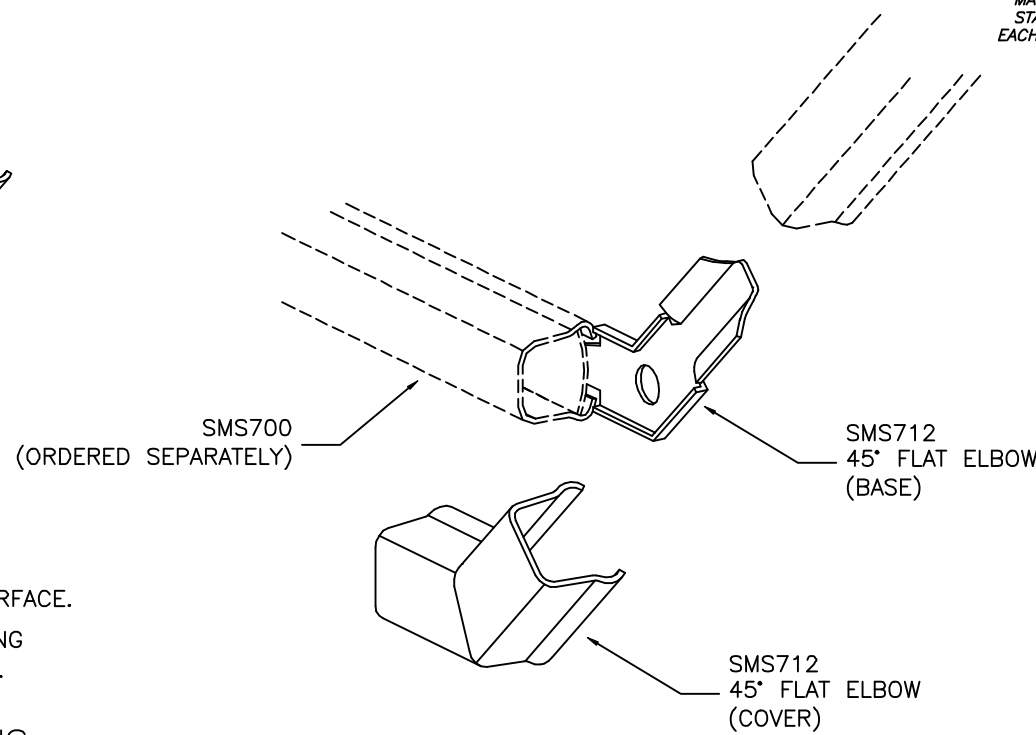
SMS512 FOR USE WITH SMS500
 SMS712 FOR USE WITH SMS700



SMS500 & SMS700 SERIES
 STEEL RACEWAYS
 SECTION VIEW
 MATERIAL: .04" GALV.
 STANDARD IVORY FINISH
 EACH ORDERED SEPARATELY
 SCALE: NONE



SMS712
 45° FLAT ELBOW



SMS700
 (ORDERED SEPARATELY)

SMS712
 45° FLAT ELBOW
 (BASE)

SMS712
 45° FLAT ELBOW
 (COVER)

- A.) FOR 45° TURNS ON A FLAT SURFACE.
- B.) ALL EXPOSED RACEWAY / FITTING SURFACES ARE PRE-PAINTED IVORY.

ASSEMBLY INSTRUCTIONS

1. INSERT ELBOW BASE INTO ENDS OF RACEWAYS AS SHOWN.
2. ATTACH BASE TO MOUNTING SURFACE USING NO. 8 HARDWARE OR LARGER. (BY OTHERS)
3. INSERT APPROPRIATE BUSHINGS. (ORDERED SEPARATELY)
4. SNAP COVER OVER BASE SECTIONS UPON COMPLETION.

FILENAME: SMS512-712

www.monosystems.com

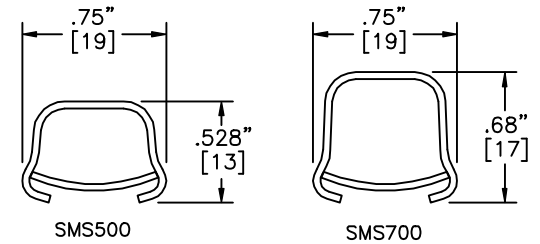


MONO-SYSTEMS, INC.
 UNIQUE CABLE DISTRIBUTION SOLUTIONS
 4 INTERNATIONAL DRIVE
 RYE BROOK, NEW YORK 10573
 PHONE: (914)-934-2075
 FAX: (914)-934-2190

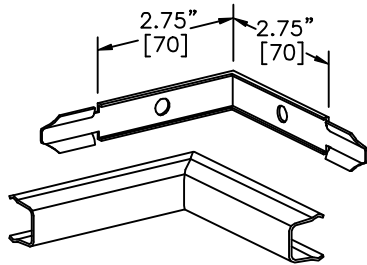
SnapMark™
SMS500 & SMS700 Series

90° INTERNAL ELBOW

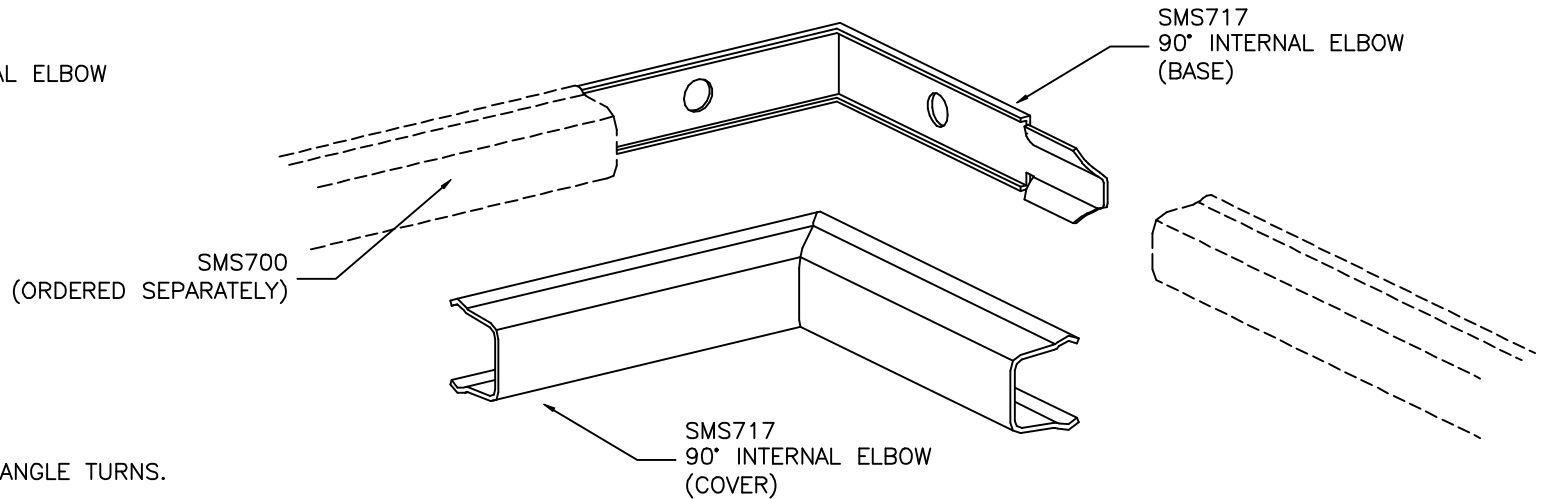
SMS517 FOR USE WITH SMS500
 SMS717 FOR USE WITH SMS700



SMS500 & SMS700 SERIES
 STEEL RACEWAYS
 SECTION VIEW
 MATERIAL: .04" GALV.
 STANDARD IVORY FINISH
 EACH ORDERED SEPARATELY
 SCALE: NONE



SMS717
 90° INTERNAL ELBOW



- A.) FOR INSIDE RIGHT ANGLE TURNS.
 B.) ALL EXPOSED RACEWAY / FITTING SURFACES ARE PRE-PAINTED IVORY.

ASSEMBLY INSTRUCTIONS

1. INSERT ELBOW BASE INTO ENDS OF RACEWAYS AS SHOWN.
2. ATTACH BASE TO MOUNTING SURFACE USING NO. 8 HARDWARE OR LARGER. (BY OTHERS)
3. INSERT APPROPRIATE BUSHINGS. (ORDERED SEPARATELY)
4. SNAP COVER OVER BASE SECTIONS UPON COMPLETION.

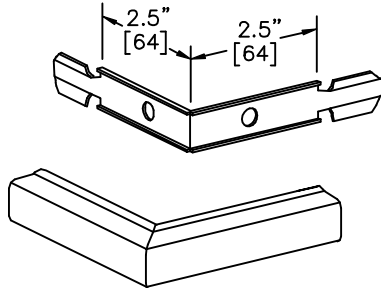


MONO-SYSTEMS, INC.
 UNIQUE CABLE DISTRIBUTION SOLUTIONS
 4 INTERNATIONAL DRIVE
 RYE BROOK, NEW YORK 10573
 PHONE: (914)-934-2075
 FAX: (914)-934-2190

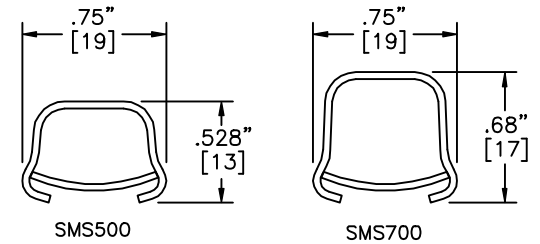
SnapMark™
SMS500 & SMS700 Series

90° EXTERNAL ELBOW

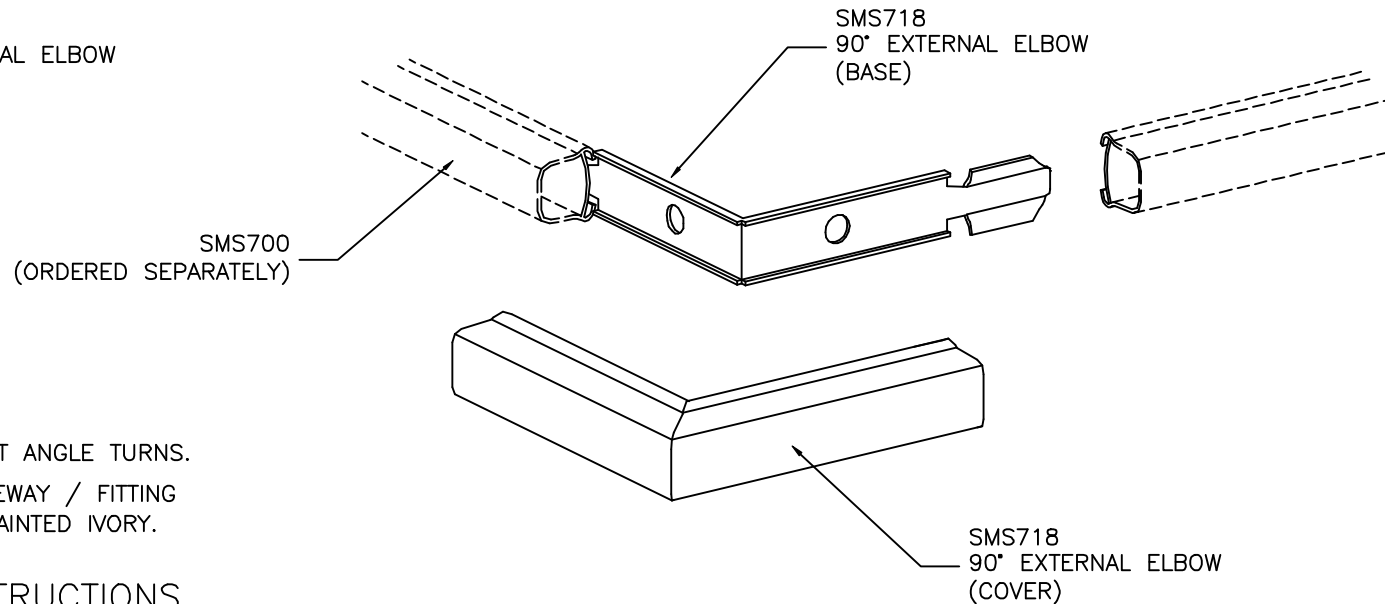
SMS518 FOR USE WITH SMS500
 SMS718 FOR USE WITH SMS700



SMS718
 90° EXTERNAL ELBOW



SMS500 & SMS700 SERIES
 STEEL RACEWAYS
 SECTION VIEW
 MATERIAL: .04" GALV.
 STANDARD IVORY FINISH
 EACH ORDERED SEPARATELY
 SCALE: NONE



- A.) FOR OUTSIDE RIGHT ANGLE TURNS.
 B.) ALL EXPOSED RACEWAY / FITTING SURFACES ARE PRE-PAINTED IVORY.

ASSEMBLY INSTRUCTIONS

1. INSERT ELBOW BASE INTO ENDS OF RACEWAYS AS SHOWN.
2. ATTACH BASE TO MOUNTING SURFACE USING NO. 8 HARDWARE OR LARGER. (BY OTHERS)
3. INSERT APPROPRIATE BUSHINGS. (ORDERED SEPARATELY)
4. SNAP COVER OVER BASE SECTIONS UPON COMPLETION.

FILENAME: SMS518-718

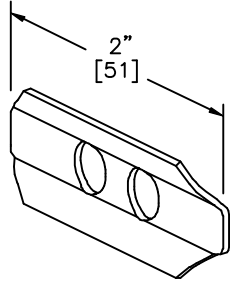
www.monosystems.com



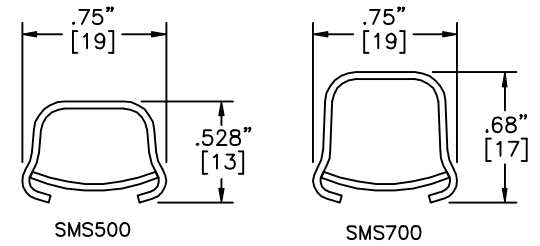
MONO-SYSTEMS, INC.
 UNIQUE CABLE DISTRIBUTION SOLUTIONS
 4 INTERNATIONAL DRIVE
 RYE BROOK, NEW YORK 10573
 PHONE: (914)-934-2075
 FAX: (914)-934-2190

SnapMark™
SMS500 & SMS700 Series

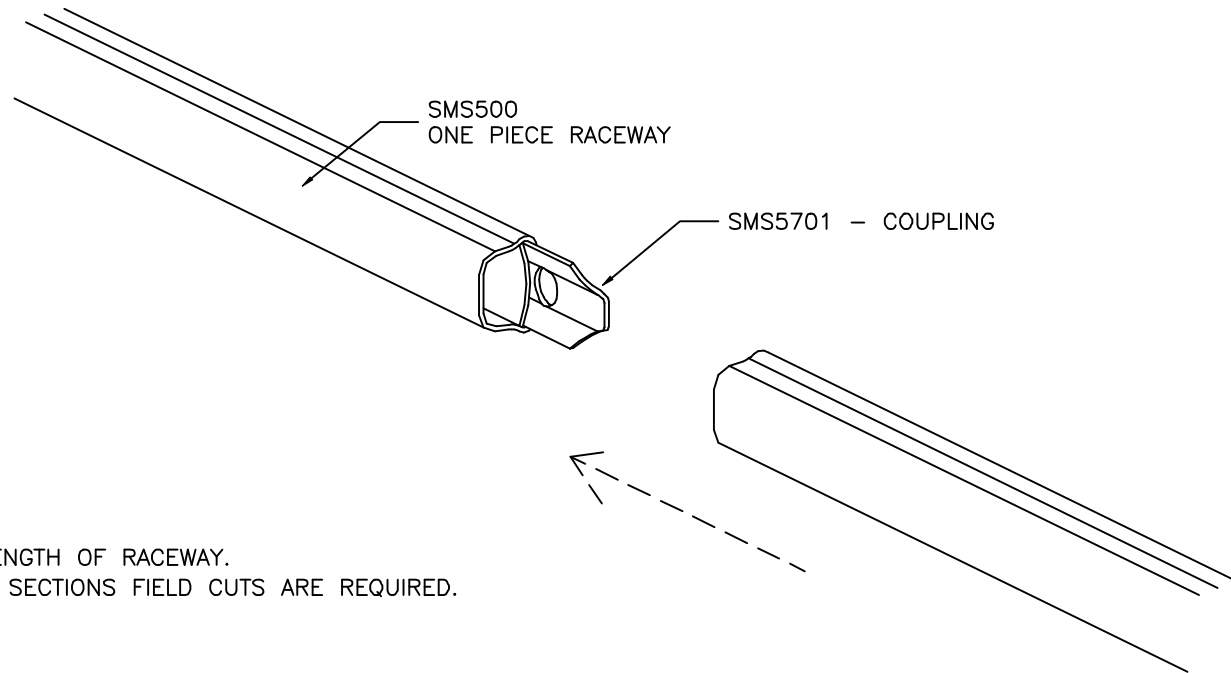
COUPLING
 SMS5701
 FOR USE WITH SMS500 AND SMS700



SMS5701
 COUPLING



SMS500 & SMS700 SERIES
 STEEL RACEWAYS
 SECTION VIEW
 MATERIAL: .04" GALV.
 STANDARD IVORY FINISH
 EACH ORDERED SEPARATELY
 SCALE: NONE



- A.) ONE COUPLING PROVIDED WITH EACH LENGTH OF RACEWAY.
 ORDER ADDITIONAL COUPLINGS FOR JOINING SECTIONS FIELD CUTS ARE REQUIRED.
- B.) ALL EXPOSED RACEWAY / FITTING SURFACES ARE PRE-PAINTED IVORY.

ASSEMBLY INSTRUCTIONS

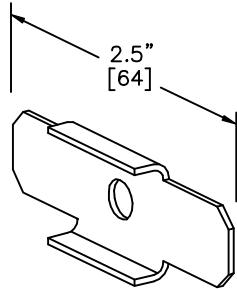
1. CONNECT SECTIONS USING COUPLING AS SHOWN.



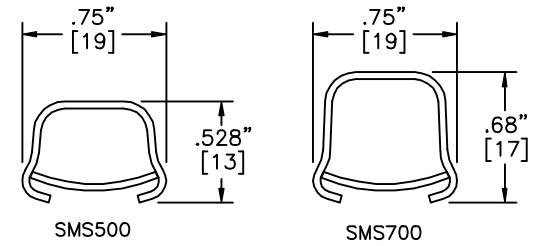
MONO-SYSTEMS, INC.
 UNIQUE CABLE DISTRIBUTION SOLUTIONS
 4 INTERNATIONAL DRIVE
 RYE BROOK, NEW YORK 10573
 PHONE: (914)-934-2075
 FAX: (914)-934-2190

SnapMark™
SMS500 & SMS700 Series

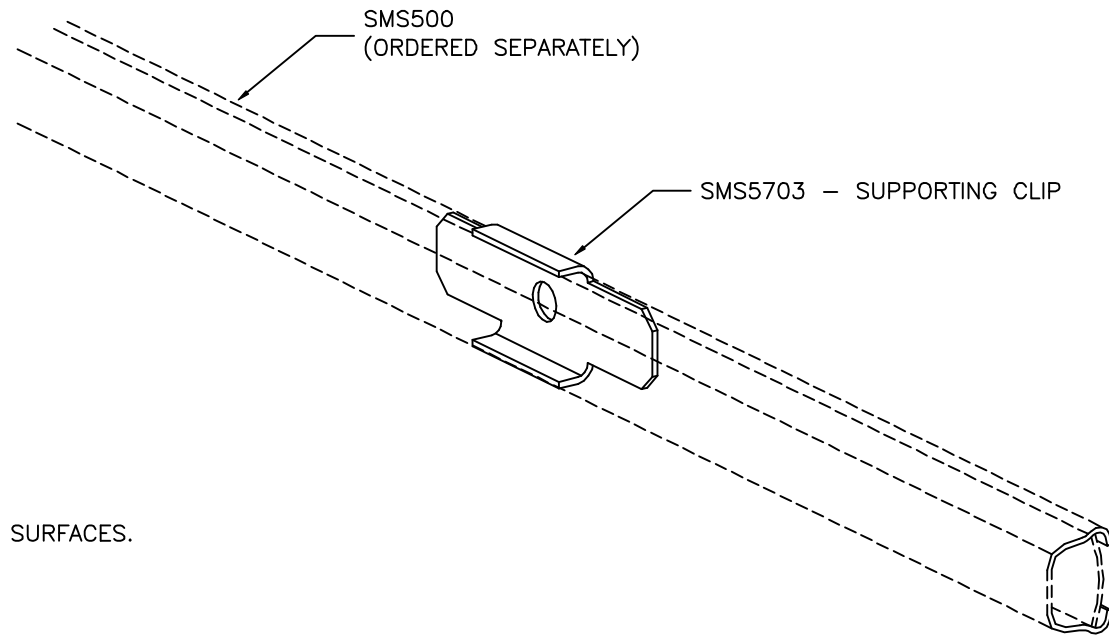
SUPPORTING CLIP
 SMS5703
 FOR USE WITH SMS500 AND SMS700



SMS5703
 SUPPORTING CLIP



SMS500 & SMS700 SERIES
 STEEL RACEWAYS
 SECTION VIEW
 MATERIAL: .04" GALV.
 STANDARD IVORY FINISH
 EACH ORDERED SEPARATELY
 SCALE: NONE



- A.) FOR SUPPORTING RACEWAY ON WALL SURFACES.
- B.) ALL EXPOSED RACEWAY / FITTING SURFACES ARE PRE-PAINTED IVORY.

ASSEMBLY INSTRUCTIONS

1. ATTACH CLIPS TO WALL SURFACE EVERY 2'-6" USING NO. 8 FLATHEAD SCREWS. (BY OTHERS)
2. SNAP RACEWAY INTO CLIP AS SHOWN.

FILENAME: SMS5703

www.monosystems.com



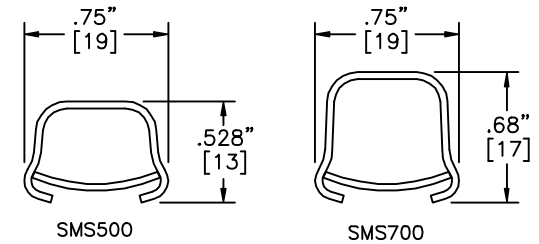
MONO-SYSTEMS, INC.
 UNIQUE CABLE DISTRIBUTION SOLUTIONS
 4 INTERNATIONAL DRIVE
 RYE BROOK, NEW YORK 10573
 PHONE: (914)-934-2075
 FAX: (914)-934-2190

SnapMark™

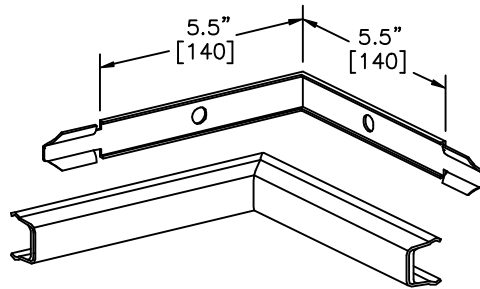
SMS500 & SMS700 Series

90° INTERNAL PULL ELBOW

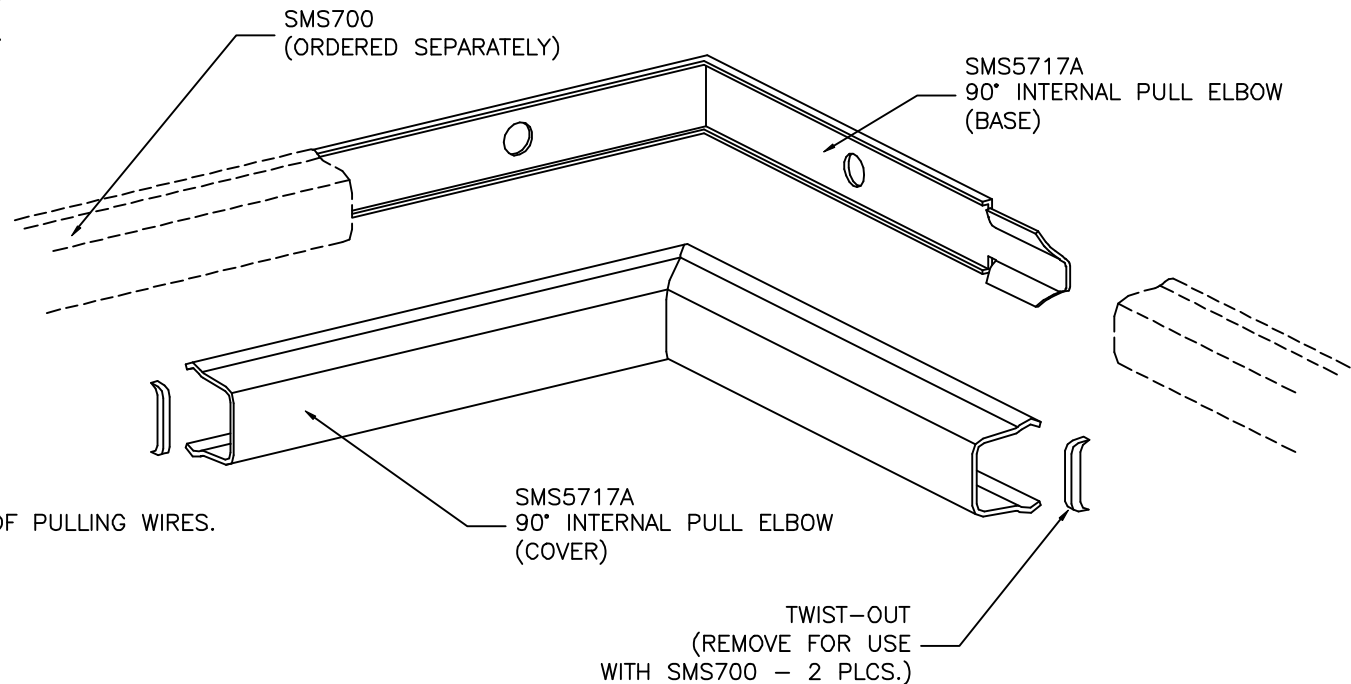
SMS5717A FOR USE WITH SMS500 AND SMS700



SMS500 & SMS700 SERIES
STEEL RACEWAYS
SECTION VIEW
MATERIAL: .04" GALV.
STANDARD IVORY FINISH
EACH ORDERED SEPARATELY
SCALE: NONE



SMS5717A
90° INTERNAL PULL ELBOW



- A.) FOR INSIDE RIGHT ANGLE TURNS.
- B.) PROVIDES MORE SPACE FOR EASE OF PULLING WIRES.
- C.) ALL EXPOSED RACEWAY / FITTING SURFACES ARE PRE-PAINTED IVORY.

ASSEMBLY INSTRUCTIONS

1. INSERT ELBOW BASE INTO ENDS OF RACEWAYS AS SHOWN.
2. ATTACH BASE TO MOUNTING SURFACE USING NO. 8 HARDWARE OR LARGER. (BY OTHERS)
3. REMOVE INDICATED TWIST-OUTS WHEN USING WITH SMS700.
4. INSERT APPROPRIATE BUSHINGS. (ORDERED SEPARATELY)
5. SNAP COVER OVER BASE SECTIONS UPON COMPLETION.

FILENAME: SMS5717A

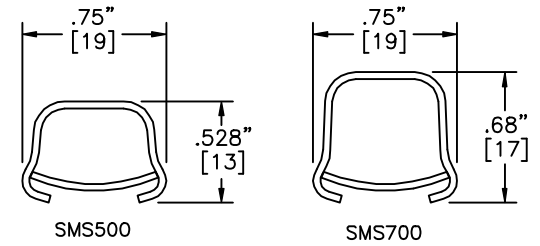
www.monosystems.com



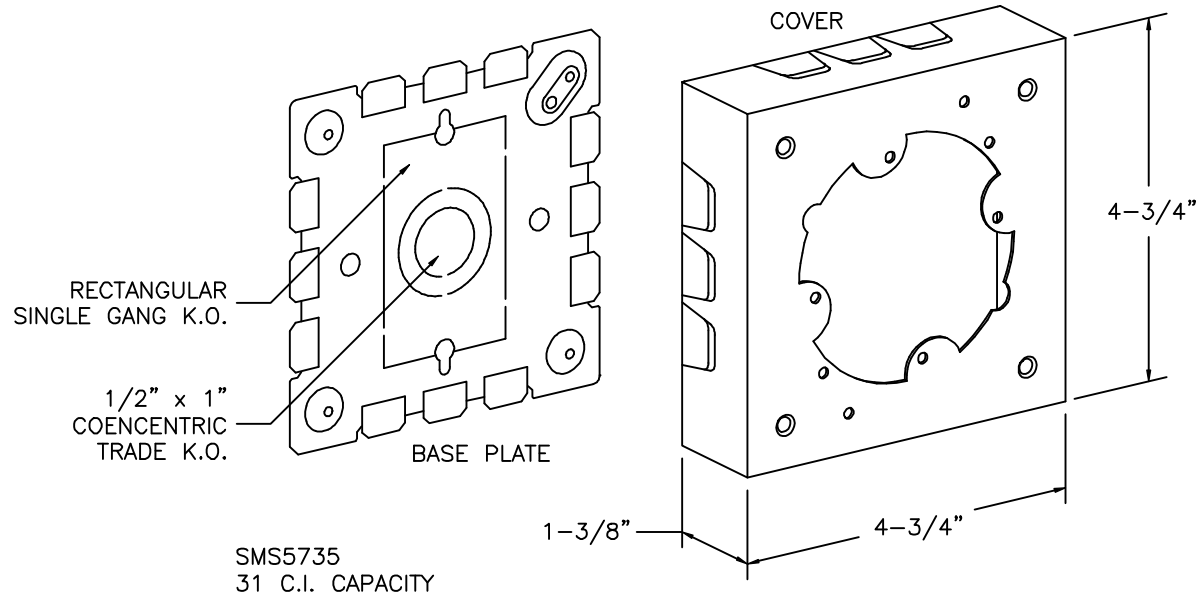
MONO-SYSTEMS, INC.
UNIQUE CABLE DISTRIBUTION SOLUTIONS
4 INTERNATIONAL DRIVE
RYE BROOK, NEW YORK 10573
PHONE: (914)-934-2075
FAX: (914)-934-2190

SnapMark™
SMS500 & SMS700 Series

DISTRIBUTION BOX
 SMS5735
 FOR USE WITH SMS500 AND SMS700 RACEWAYS
 MATERIAL: STEEL – GALV / IVORY FINISH



SMS500 & SMS700 SERIES
 STEEL RACEWAYS
 SECTION VIEW
 MATERIAL: .04" GALV.
 STANDARD IVORY FINISH
 EACH ORDERED SEPARATELY
 SCALE: NONE



SMS5735
 31 C.I. CAPACITY

- A.) COVER TAKES DEVICES WITH MOUNTING SCREW CENTERS OF 2-3/4", 3-1/2" AND 4-1/16".
- B.) ALSO FOR USE WITH CANOPY FIXTURES NOT LARGER THAN 4-5/8" DIAMETER.
- C.) 10-32 GROUND SCREW PROVIDED.

ASSEMBLY INSTRUCTIONS

1. REMOVE APPROPRIATE RACEWAY K.O. FROM COVER.
2. SLIDE RACEWAY SECTIONS OVER APPROPRIATE TABS ON BASE PLATE.
3. SECURE BASE PLATE TO MOUNTING SURFACE USING APPROPRIATE HARDWARE. (BY OTHERS)
4. TERMINATE WIRING PER NEC AND LOCAL CODES.
5. ATTACH COVER TO BASE PLATE USING PROVIDED NO. 6 HARDWARE.

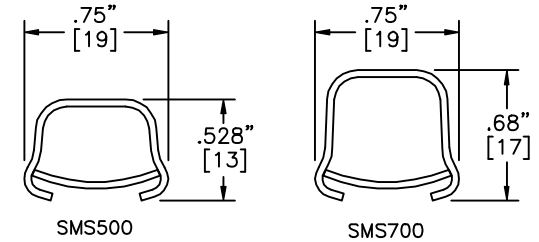
FILENAME: SMS5735

www.monosystems.com

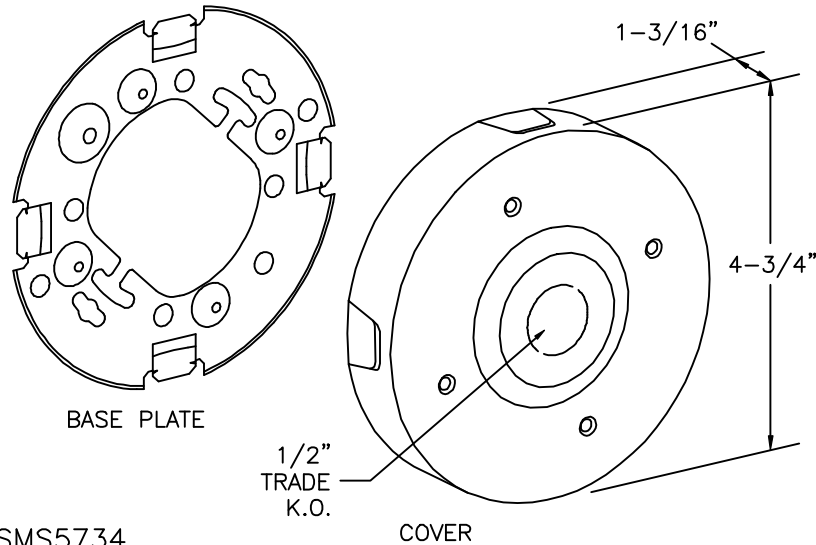
MONO-SYSTEMS, INC.
 UNIQUE CABLE DISTRIBUTION SOLUTIONS
 4 INTERNATIONAL DRIVE
 RYE BROOK, NEW YORK 10573
 PHONE: (914)-934-2075
 FAX: (914)-934-2190

SnapMark™
SMS500 & SMS700 Series

SMS5734 – BLANK EXTENSION BOX
 SMS5734 – UTILITY BOX
 FOR USE WITH SMS500 AND SMS700 RACEWAYS
 MATERIAL: STEEL – GALV / IVORY FINISH

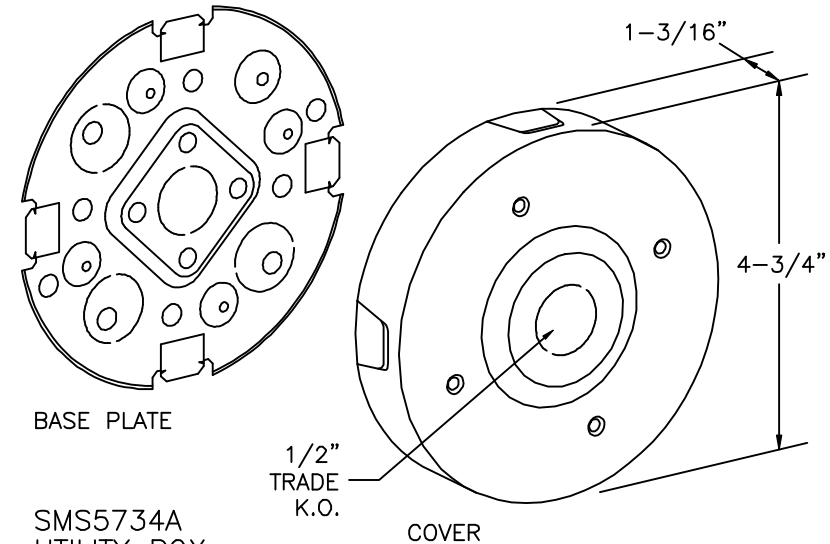


SMS500 & SMS700 SERIES
 STEEL RACEWAYS
 SECTION VIEW
 MATERIAL: .04" GALV.
 STANDARD IVORY FINISH
 EACH ORDERED SEPARATELY
 SCALE: NONE



SMS5734
 BLANK EXTENSION BOX
 21 C.I. CAPACITY

- A.) USE FOR MOUNTING ON 3-1/4" OR 4" CONDUIT BOXES OR 4" CONDUIT BOXES OR OTHER RECESSED OUTLETS.
- B.) USE AS PULL BOX, J-BOX OR FOR FIXTURE STEMS.
- C.) NOT FOR USE WITH CEILING FANS.
- D.) 10-32 GROUND SCREW PROVIDED.

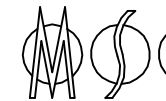


SMS5734A
 UTILITY BOX
 21 C.I. CAPACITY

- A.) FOR USE WITH STEM FIXTURES, OR AS J-BOX.
- B.) BASE HAS FOUR HOLES FOR FIXTURE STUDS AND FIVE 1/2" TRADE SIZE K.O.s.
- C.) NOT FOR USE WITH CEILING FANS.
- D.) 10-32 GROUND SCREW PROVIDED.

ASSEMBLY INSTRUCTIONS

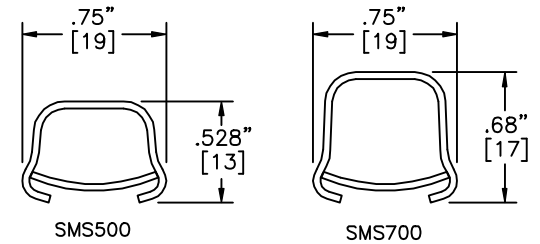
1. REMOVE APPROPRIATE RACEWAY K.O. FROM COVER.
2. SLIDE RACEWAY SECTIONS OVER APPROPRIATE TABS ON BASE PLATE.
3. SECURE BASE PLATE TO MOUNTING SURFACE USING APPROPRIATE HARDWARE. (BY OTHERS)
4. TERMINATE WIRING PER NEC AND LOCAL CODES.
5. ATTACH COVER TO BASE PLATE USING PROVIDED NO. 6 HARDWARE.



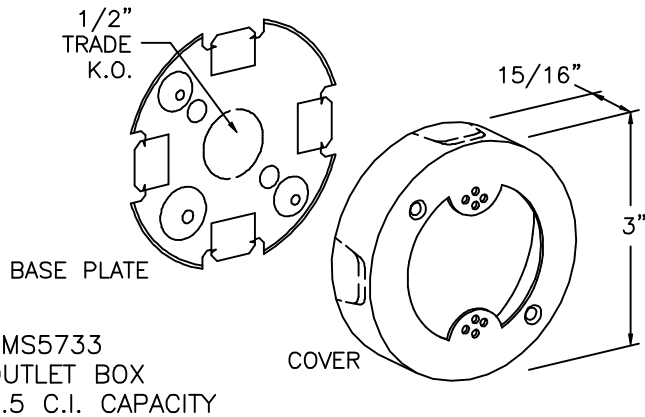
MONO-SYSTEMS, INC.
 UNIQUE CABLE DISTRIBUTION SOLUTIONS
 4 INTERNATIONAL DRIVE
 RYE BROOK, NEW YORK 10573
 PHONE: (914)-934-2075
 FAX: (914)-934-2190

SnapMark™
SMS500 & SMS700 Series

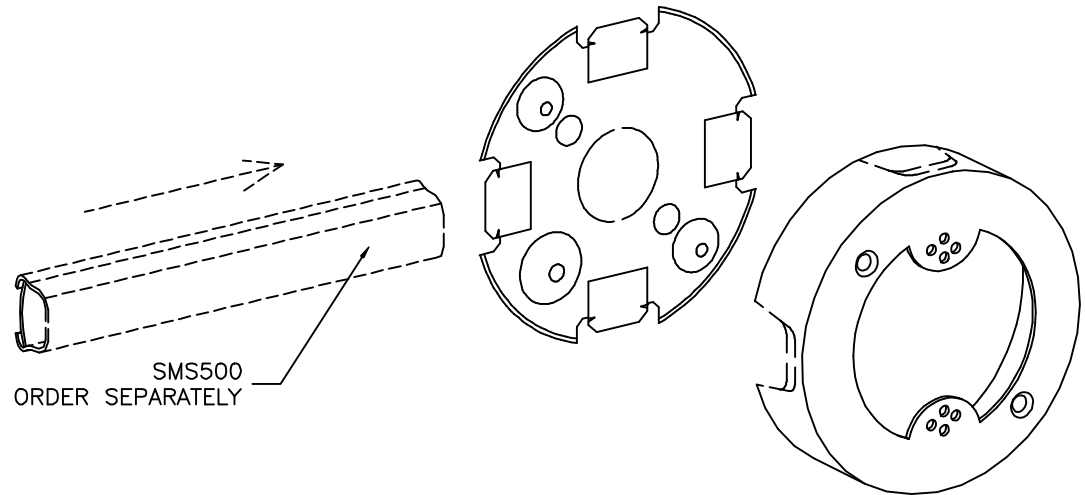
OUTLET BOX
SMS5733
 FOR USE WITH SMS500 AND SMS700 RACEWAYS
 MATERIAL: STEEL – GALV / IVORY FINISH



SMS500 & SMS700 SERIES
 STEEL RACEWAYS
 SECTION VIEW
 MATERIAL: .04" GALV.
 STANDARD IVORY FINISH
 EACH ORDERED SEPARATELY
 SCALE: NONE



SMS5733
 OUTLET BOX
 6.5 C.I. CAPACITY



- A.) USE FOR HANGING FIXTURES WITH MOUNTING CENTERS OF 1-15/32, 1-5/8 AND 1-27/32 INCHES.
- B.) WILL ACCOMMODATE DEVICES MADE FOR MOUNTING ON G OR H TYPE CONDUIT FITTINGS.
- C.) NOT FOR USE WITH CEILING FANS.
- D.) 10-32 GROUND SCREW PROVIDED.

ASSEMBLY INSTRUCTIONS

1. REMOVE APPROPRIATE RACEWAY K.O. FROM COVER.
2. SLIDE RACEWAY SECTIONS OVER APPROPRIATE TABS ON BASE PLATE.
3. SECURE BASE PLATE TO MOUNTING SURFACE USING APPROPRIATE HARDWARE. (BY OTHERS)
4. TERMINATE WIRING PER NEC AND LOCAL CODES.
5. ATTACH COVER TO BASE PLATE USING PROVIDED NO. 6 HARDWARE.

FILENAME: SMS5733

www.monosystems.com



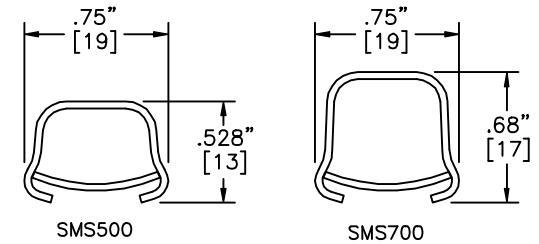
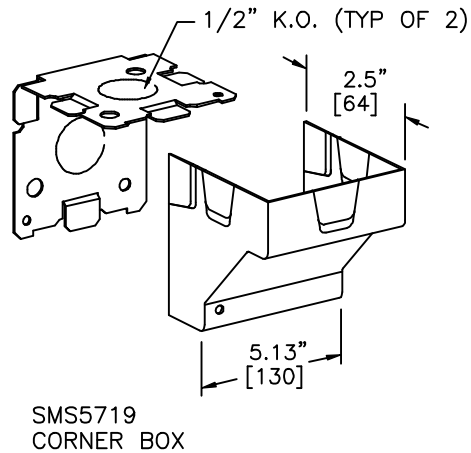
MONO-SYSTEMS, INC.
 UNIQUE CABLE DISTRIBUTION SOLUTIONS
 4 INTERNATIONAL DRIVE
 RYE BROOK, NEW YORK 10573
 PHONE: (914)-934-2075
 FAX: (914)-934-2190

SnapMark™

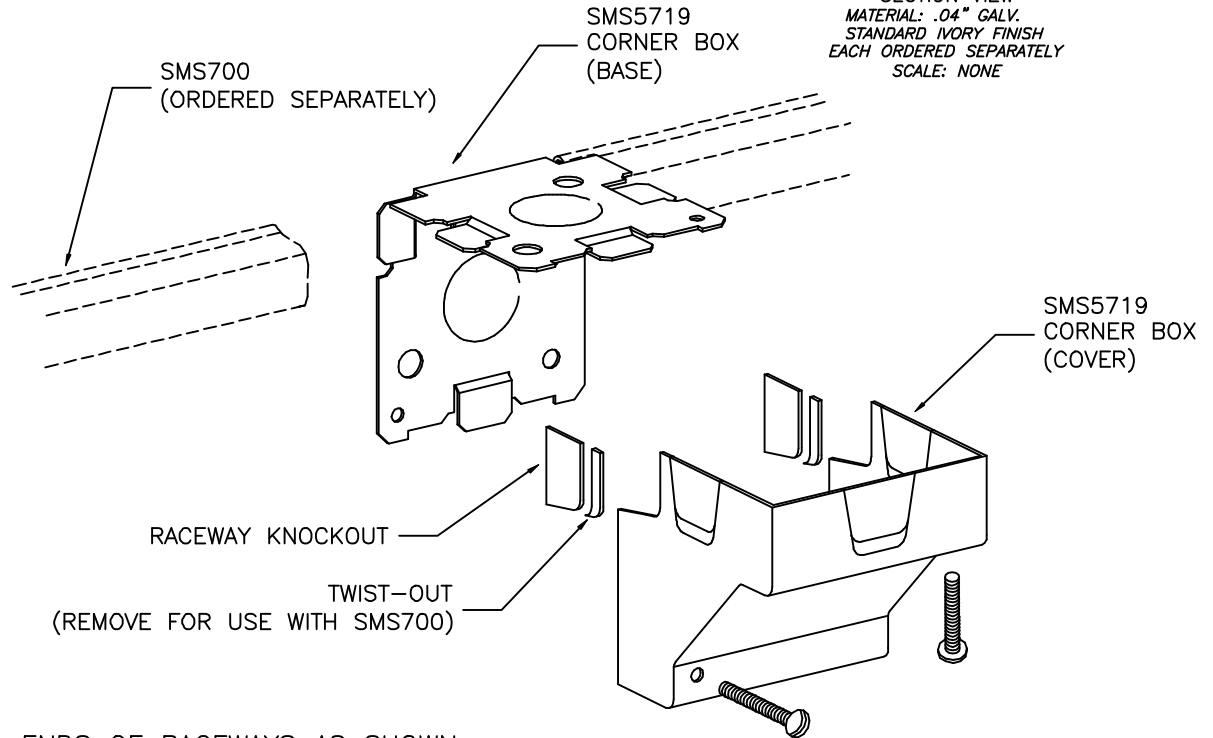
SMS500 & SMS700 Series

CORNER BOX

SMS5719 FOR USE WITH SMS500 AND SMS700



SMS500 & SMS700 SERIES
STEEL RACEWAYS
SECTION VIEW
MATERIAL: .04" GALV.
STANDARD IVORY FINISH
EACH ORDERED SEPARATELY
SCALE: NONE



- A.) PROVIDES AMPLE SPLICE ROOM.
- B.) ALLOWS FOR THROUGH WALL PASSAGE.
- C.) ALL EXPOSED RACEWAY / FITTING SURFACES ARE PRE-PAINTED IVORY.
- D.) 10-32 GROUND SCREW PROVIDED.

ASSEMBLY INSTRUCTIONS

1. INSERT ELBOW BASE AS REQUIRED INTO ENDS OF RACEWAYS AS SHOWN.
2. ATTACH BASE TO MOUNTING SURFACE USING NO. 8 HARDWARE OR LARGER. (BY OTHERS)
3. REMOVE REQUIRED RACEWAY KNOCKOUTS.
4. REMOVE REQUIRED TWIST-OUTS WHEN USING WITH SMS700.
5. INSERT APPROPRIATE BUSHINGS. (ORDERED SEPARATELY)
6. ATTACH COVER TO CORNER BOX BASE UPON COMPLETION USING PROVIDED NO. 6 HARDWARE.

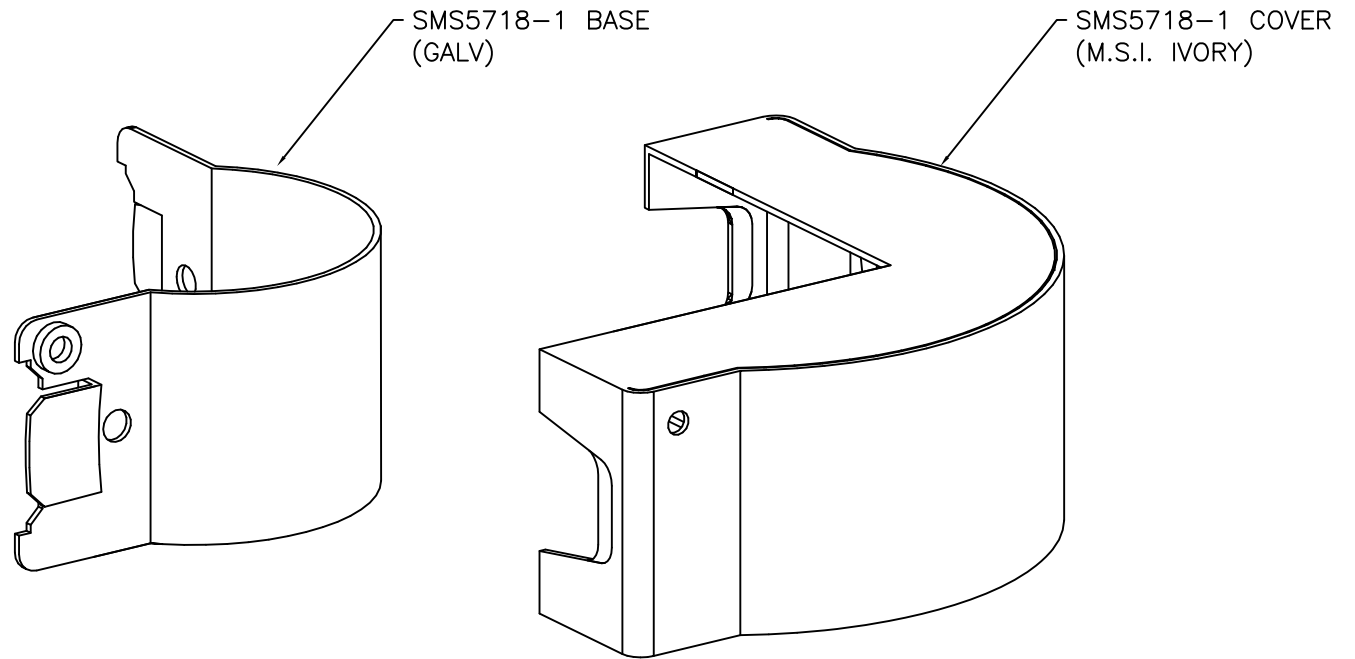
FILENAME: SMS5719

www.monosystems.com



MONO-SYSTEMS, INC.
UNIQUE CABLE DISTRIBUTION SOLUTIONS
4 INTERNATIONAL DRIVE
RYE BROOK, NEW YORK 10573
PHONE: (914)-934-2075
FAX: (914)-934-2190

M.S.I. P/N: SMS5718-1
1" RADIUS EXTERNAL ELBOW FOR SMS500 & SMS700



HARDWARE PROVIDED

01/21/03 DOCUMENT REF. NO.: CS-SMS5718-1

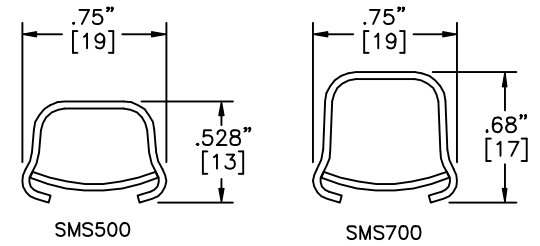


MONO-SYSTEMS, INC.
UNIQUE CABLE DISTRIBUTION SOLUTIONS
4 INTERNATIONAL DRIVE
RYE BROOK, NEW YORK 10573
PHONE: (914)-934-2075
FAX: (914)-934-2190

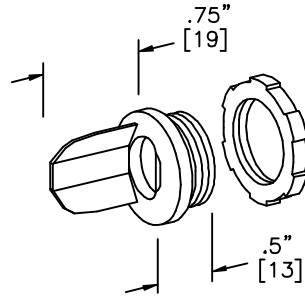
SnapMark™
SMS500 & SMS700 Series

BOX CONNECTOR

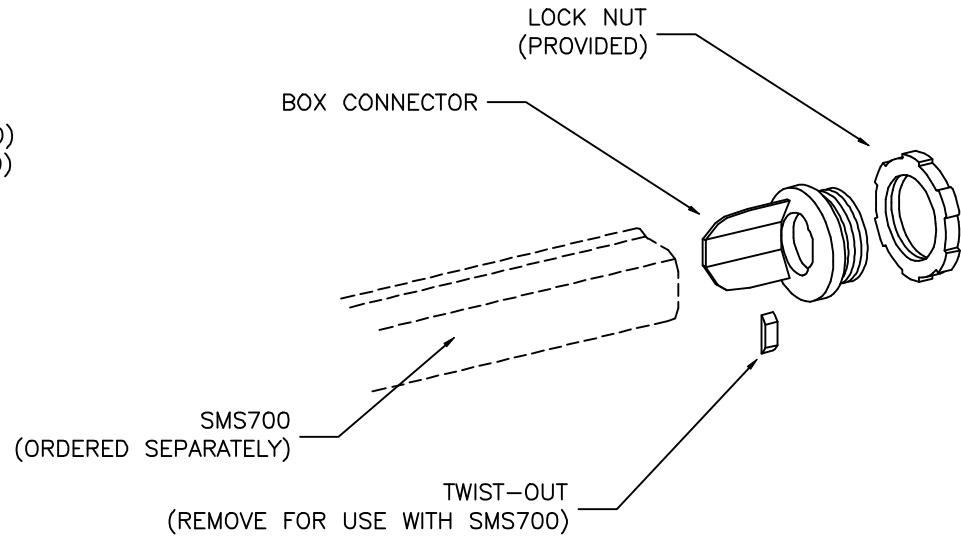
SMS5781 1/2" MALE
 SMS5781A 3/4" MALE
 BOTH FOR USE WITH SMS500 AND SMS700



SMS500 & SMS700 SERIES
 STEEL RACEWAYS
 SECTION VIEW
 MATERIAL: .04" GALV.
 STANDARD IVORY FINISH
 EACH ORDERED SEPARATELY
 SCALE: NONE



SMS5781 FOR (FOR 1/2" TRADE K.O. / THREAD)
 SMS5781A FOR (FOR 3/4" TRADE K.O. / THREAD)



- A.) FOR USE WITH CONDUIT TYPE FITTINGS & KNOCKOUTS.
- B.) MATERIAL: CAST ALUMINUM / ZINC DICAST.

ASSEMBLY INSTRUCTIONS

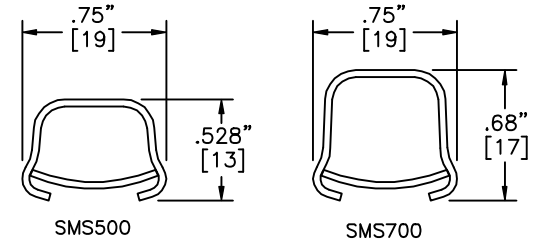
1. REMOVE TWIST-OUT WHEN USING WITH SMS700.
2. INSERT BOX CONNECTOR INTO END OF RACEWAY AS SHOWN.
3. ATTACH BOX CONNECTOR TO CONDUIT BOX OR PANEL BOX (BY OTHERS) USING PROVIDED LOCK NUT.



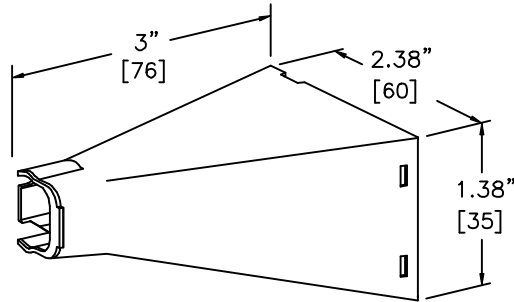
MONO-SYSTEMS, INC.
 UNIQUE CABLE DISTRIBUTION SOLUTIONS
 4 INTERNATIONAL DRIVE
 RYE BROOK, NEW YORK 10573
 PHONE: (914)-934-2075
 FAX: (914)-934-2190

SnapMark™
SMS500 & SMS700 Series

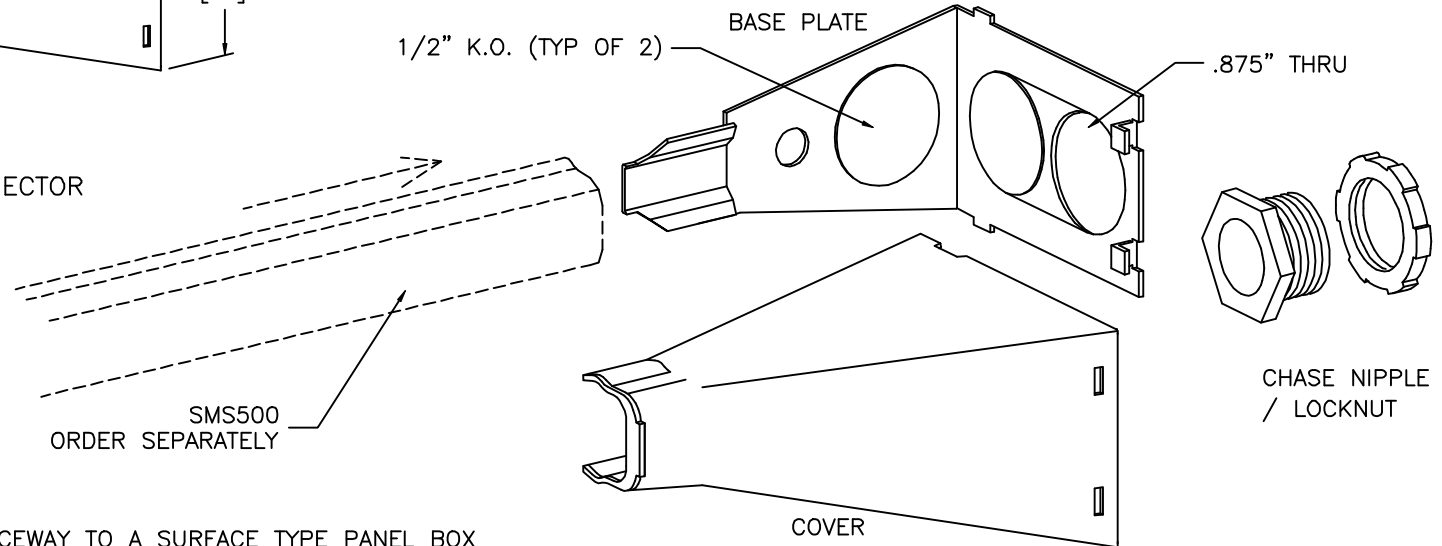
ADJUSTABLE, OFFSET CONNECTOR
 SMS5786
 FOR USE WITH SMS500 AND SMS700 RACEWAYS
 MATERIAL: STEEL – GALV / IVORY FINISH



SMS500 & SMS700 SERIES
 STEEL RACEWAYS
 SECTION VIEW
 MATERIAL: .04" GALV.
 STANDARD IVORY FINISH
 EACH ORDERED SEPARATELY
 SCALE: NONE



SMS5786
 COMBINATION CONNECTOR



A.) USE FOR CONNECTING RACEWAY TO A SURFACE TYPE PANEL BOX WITHOUT OFFSETTING. ADJUSTMENT FROM SURFACE TO CENTER OF BUSHINGS IS 5/8" MINIMUM TO 1-3/8" MAXIMUM.

ASSEMBLY INSTRUCTIONS

1. REMOVE APPROPRIATE RACEWAY K.O. FROM COVER.
2. SLIDE RACEWAY SECTION OVER TAB ON BASE PLATE.
3. FASTEN BASE PLATE TO PANEL K.O. USING PROVIDED CHASE NIPPLE AND LOCKNUT.
4. TERMINATE WIRING PER NEC AND LOCAL CODES.
5. SNAP COVER ON TO BASE PLATE.

FILENAME: SMS5786

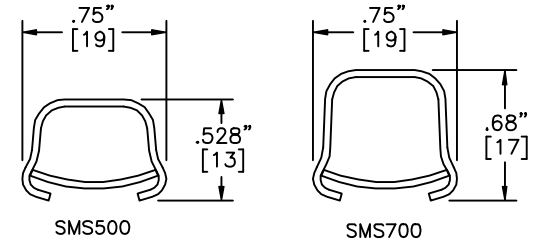
www.monosystems.com



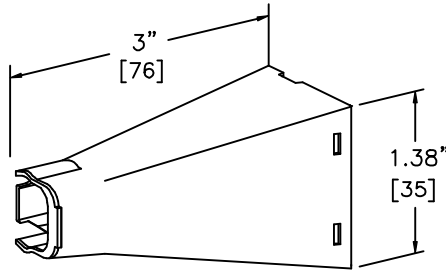
MONO-SYSTEMS, INC.
 UNIQUE CABLE DISTRIBUTION SOLUTIONS
 4 INTERNATIONAL DRIVE
 RYE BROOK, NEW YORK 10573
 PHONE: (914)-934-2075
 FAX: (914)-934-2190

SnapMark™
SMS500 & SMS700 Series

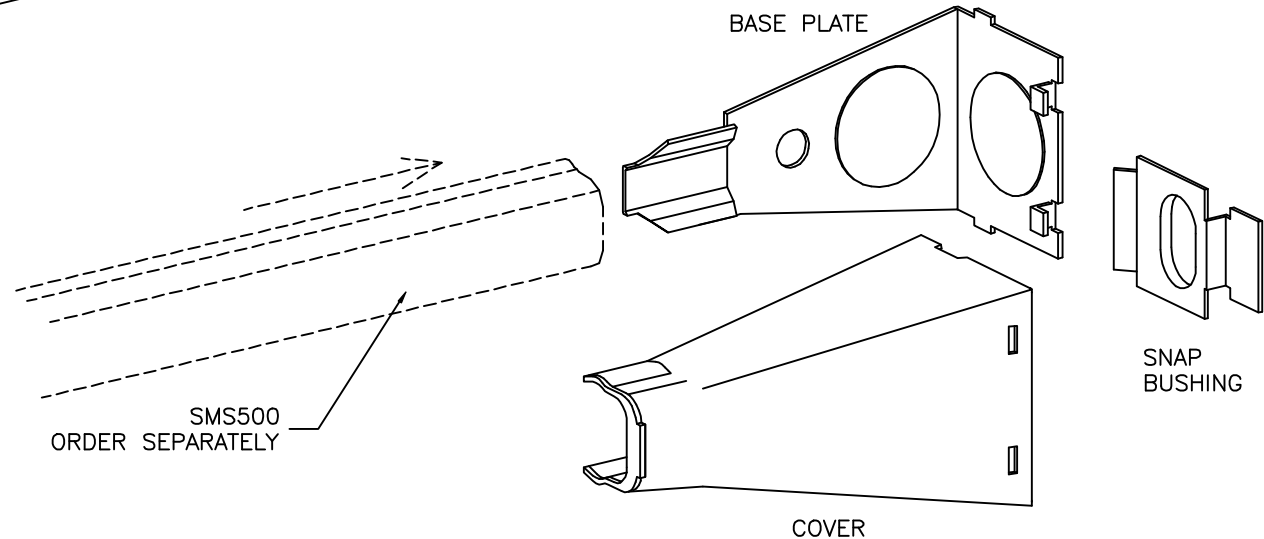
COMBINATION CONNECTOR
 SMS5785
 FOR USE WITH SMS500 AND SMS700 RACEWAYS
 MATERIAL: STEEL – GALV / IVORY FINISH



SMS500 & SMS700 SERIES
 STEEL RACEWAYS
 SECTION VIEW
 MATERIAL: .04" GALV.
 STANDARD IVORY FINISH
 EACH ORDERED SEPARATELY
 SCALE: NONE



SMS5785
 COMBINATION CONNECTOR



A.) USE FOR CONNECTING RACEWAY TO
 ANY 3-1/4" OR 4" OUTLET BOX WITHOUT OFFSETTING.

ASSEMBLY INSTRUCTIONS

1. REMOVE APPROPRIATE RACEWAY K.O. FROM COVER.
2. SLIDE RACEWAY SECTION OVER TAB ON BASE PLATE.
3. FASTEN BASE PLATE TO BOX K.O. USING PROVIDED SNAP BUSHING.
4. TERMINATE WIRING PER NEC AND LOCAL CODES.
5. SNAP COVER ON TO BASE PLATE.

FILENAME: SMS5785

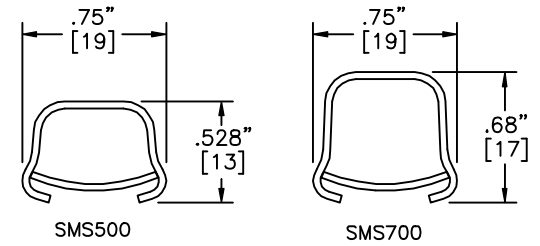
www.monosystems.com



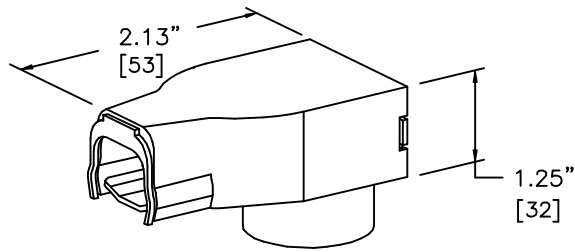
MONO-SYSTEMS, INC.
 UNIQUE CABLE DISTRIBUTION SOLUTIONS
 4 INTERNATIONAL DRIVE
 RYE BROOK, NEW YORK 10573
 PHONE: (914)-934-2075
 FAX: (914)-934-2190

SnapMark™
SMS500 & SMS700 Series

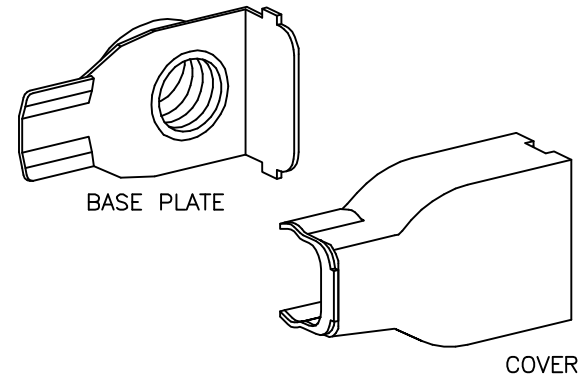
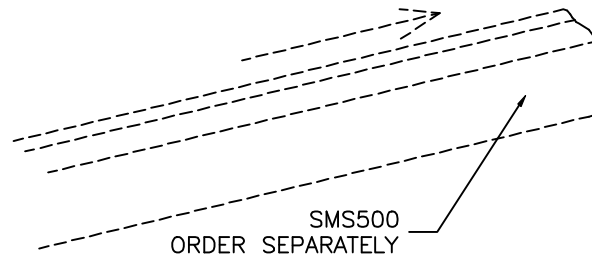
ELBOW CONDUIT CONNECTOR
 SMS5784
 FOR USE WITH SMS500 AND SMS700 RACEWAYS
 MATERIAL: STEEL – GALV / IVORY FINISH



SMS500 & SMS700 SERIES
 STEEL RACEWAYS
 SECTION VIEW
 MATERIAL: .04" GALV.
 STANDARD IVORY FINISH
 EACH ORDERED SEPARATELY
 SCALE: NONE



SMS5784
 ELBOW CONDUIT CONNECTOR
 1/2" FEMALE



A.) USE FOR CONNECTING RACEWAY AT RIGHT ANGLES
 TO 1/2" CONDUIT OR ARMORED CABLE.

ASSEMBLY INSTRUCTIONS

1. REMOVE APPROPRIATE RACEWAY K.O. FROM COVER.
2. SLIDE RACEWAY SECTION OVER TAB ON BASE PLATE.
3. FASTEN BASE PLATE TO 1/2" THREADED CONDUIT.
4. TERMINATE WIRING PER NEC AND LOCAL CODES.
5. SNAP COVER ON TO BASE PLATE.

FILENAME: SMS5784

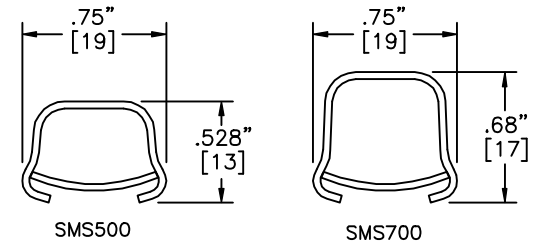
www.monosystems.com



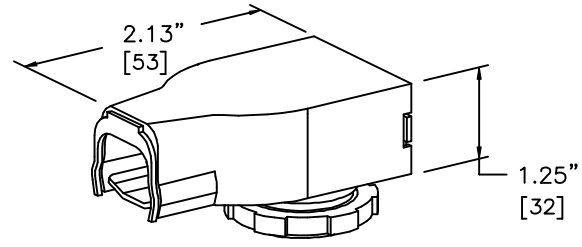
MONO-SYSTEMS, INC.
 UNIQUE CABLE DISTRIBUTION SOLUTIONS
 4 INTERNATIONAL DRIVE
 RYE BROOK, NEW YORK 10573
 PHONE: (914)-934-2075
 FAX: (914)-934-2190

SnapMark™
SMS500 & SMS700 Series

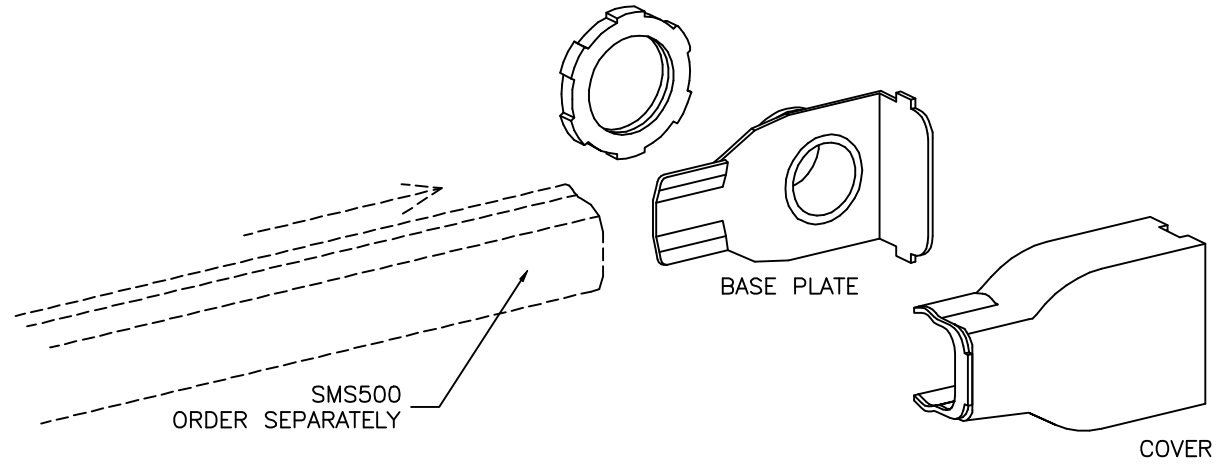
ELBOW BOX CONNECTOR
 SMS5783
 FOR USE WITH SMS500 AND SMS700 RACEWAYS
 MATERIAL: STEEL – GALV / IVORY FINISH



SMS500 & SMS700 SERIES
 STEEL RACEWAYS
 SECTION VIEW
 MATERIAL: .04" GALV.
 STANDARD IVORY FINISH
 EACH ORDERED SEPARATELY
 SCALE: NONE



SMS5783
 ELBOW BOX CONNECTOR
 1/2" MALE




A.) USE FOR CONNECTING RACEWAY AT RIGHT ANGLES TO PANELS AND BOXES WITH 1/2" TRADE KNOCKOUT.

ASSEMBLY INSTRUCTIONS

1. REMOVE APPROPRIATE RACEWAY K.O. FROM COVER.
2. SLIDE RACEWAY SECTION OVER TAB ON BASE PLATE.
3. FASTEN CONNECTOR THROUGH K.O. USING PROVIDED LOCKNUT.
4. TERMINATE WIRING PER NEC AND LOCAL CODES.
5. SNAP COVER ON TO BASE PLATE.

FILENAME: SMS5783

www.monosystems.com

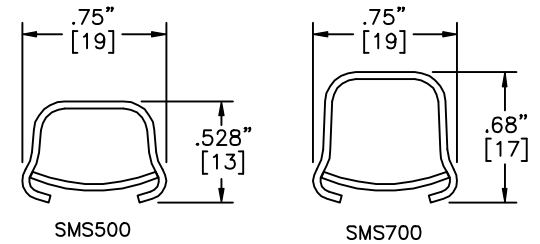


MONO-SYSTEMS, INC.
 UNIQUE CABLE DISTRIBUTION SOLUTIONS
 4 INTERNATIONAL DRIVE
 RYE BROOK, NEW YORK 10573
 PHONE: (914)-934-2075
 FAX: (914)-934-2190

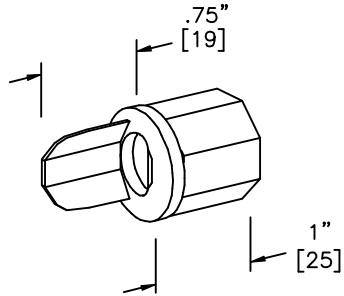
SnapMark™
SMS500 & SMS700 Series

CONDUIT CONNECTOR

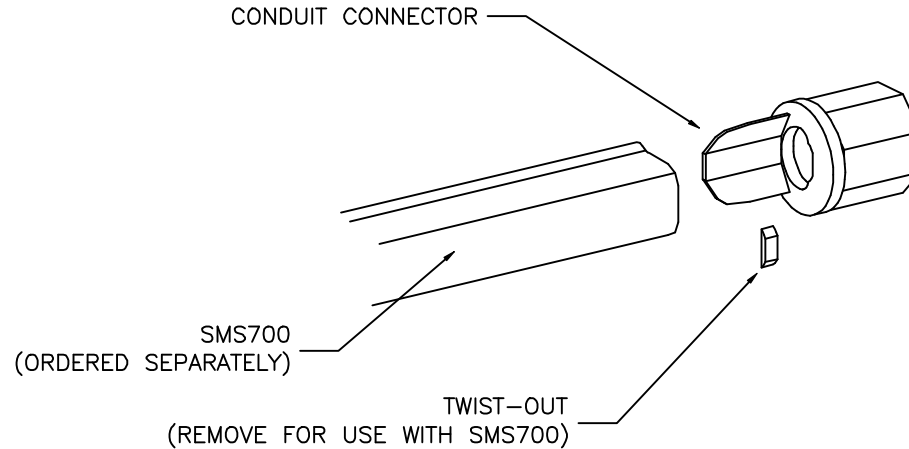
SMS5782 1/2" FEMALE
 SMS5782A 3/4" FEMALE
 BOTH FOR USE WITH SMS500 AND SMS700



SMS500 & SMS700 SERIES
 STEEL RACEWAYS
 SECTION VIEW
 MATERIAL: .04" GALV.
 STANDARD IVORY FINISH
 EACH ORDERED SEPARATELY
 SCALE: NONE



SMS5782 FOR (FOR 1/2" CONDUIT)
 SMS5782A FOR (FOR 3/4" CONDUIT)



A.) MATERIAL: CAST ALUMINUM / ZINC DICAST.

ASSEMBLY INSTRUCTIONS

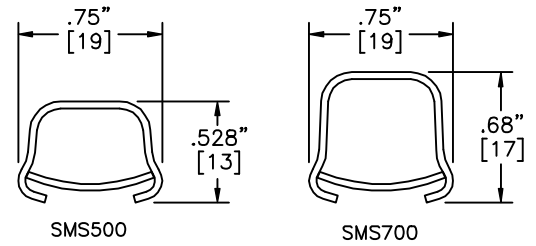
1. REMOVE TWIST-OUT WHEN USING WITH SMS700.
2. INSERT CONDUIT CONNECTOR INTO END OF RACEWAY AS SHOWN.
3. ATTACH BOX CONNECTOR TO THREADED CONDUIT.



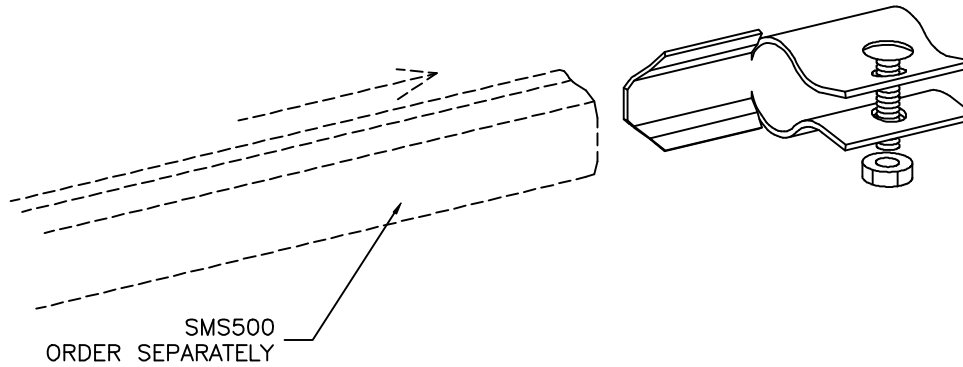
MONO-SYSTEMS, INC.
 UNIQUE CABLE DISTRIBUTION SOLUTIONS
 4 INTERNATIONAL DRIVE
 RYE BROOK, NEW YORK 10573
 PHONE: (914)-934-2075
 FAX: (914)-934-2190

SnapMark™
SMS500 & SMS700 Series

ARMORED CABLE CONNECTOR
SMS5790B
FOR USE WITH SMS500 AND SMS700 RACEWAYS
MATERIAL: STEEL - GALV



SMS500 & SMS700 SERIES
STEEL RACEWAYS
SECTION VIEW
MATERIAL: .04" GALV.
STANDARD IVORY FINISH
EACH ORDERED SEPARATELY
SCALE: NONE



A. FOR CONNECTING 14/2, 14/3, 12/2 AND 12/3
"MC" AND ARMORED CABLE TO SMS500 / SMS700 RACEWAY.

FILENAME: SMS5709B

www.monosystems.com



MONO-SYSTEMS, INC.
UNIQUE CABLE DISTRIBUTION SOLUTIONS
4 INTERNATIONAL DRIVE
RYE BROOK, NEW YORK 10573
PHONE: (914)-934-2075
FAX: (914)-934-2190