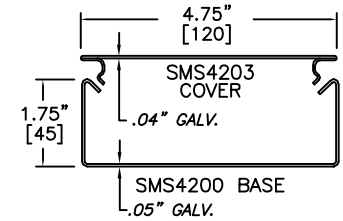


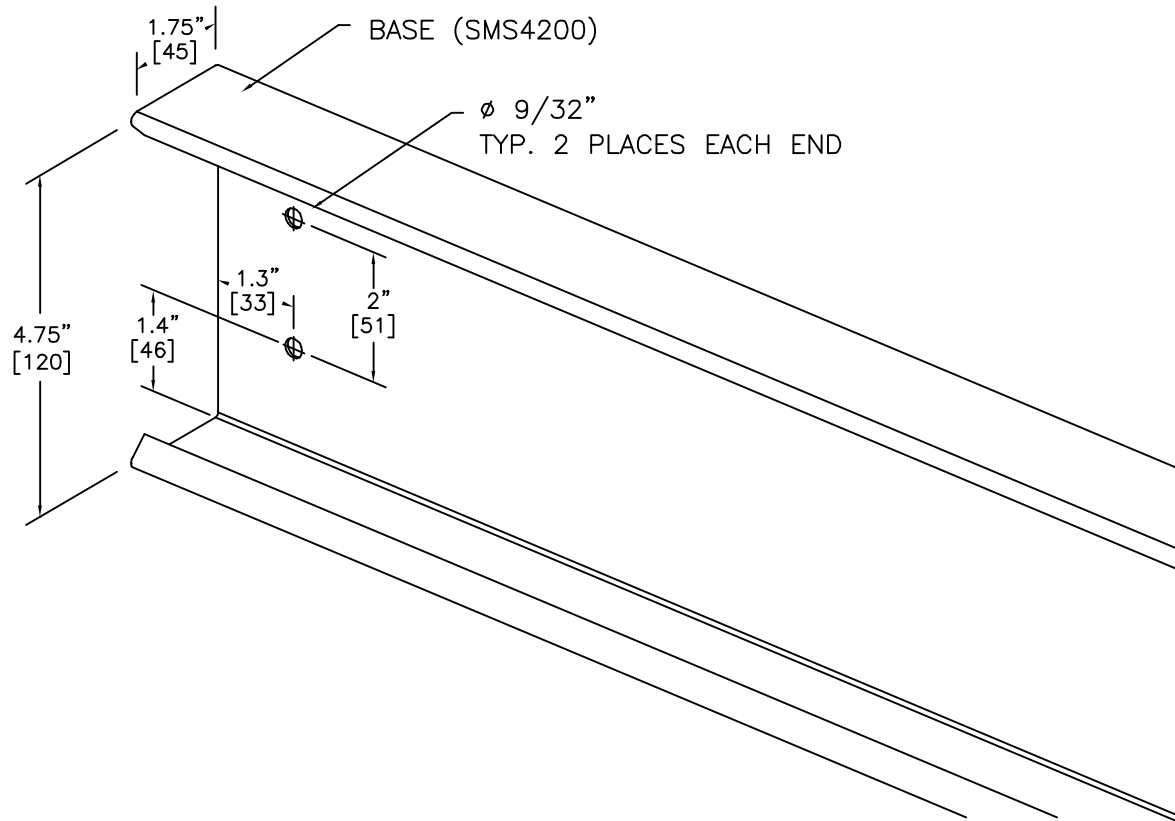
SnapMark™
SMS4200 Series

BASE – 10' [3m] (SMS4200)

AVAILABLE IN STANDARD GRAY OR IVORY
(ADD "-I" SUFFIX TO SPECIFY IVORY)



SMS4200 SERIES
STEEL RACEWAY
SECTION VIEW
EACH ORDERED SEPARATELY
SCALE: NONE



ASSEMBLY INSTRUCTIONS

1. RIGIDLY SECURE BASE SECTION TO STRUCTURAL BUILDING MEMBER OR WALL CONSTRUCTION AT 18" MAXIMUM MOUNTING CENTERS. ENGINEER TO VERIFY FASTENERS & MOUNTING INTERVAL BASED ON MOUNTING SURFACE CONSTRUCTION. (HARDWARE BY OTHERS)

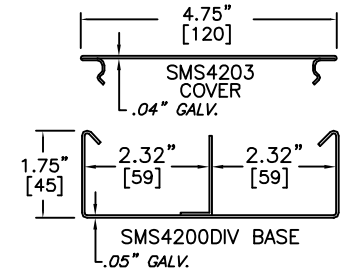


MONO-SYSTEMS, INC.
UNIQUE CABLE DISTRIBUTION SOLUTIONS
4 INTERNATIONAL DRIVE
RYE BROOK, NEW YORK 10573
PHONE: (914)-934-2075
FAX: (914)-934-2190

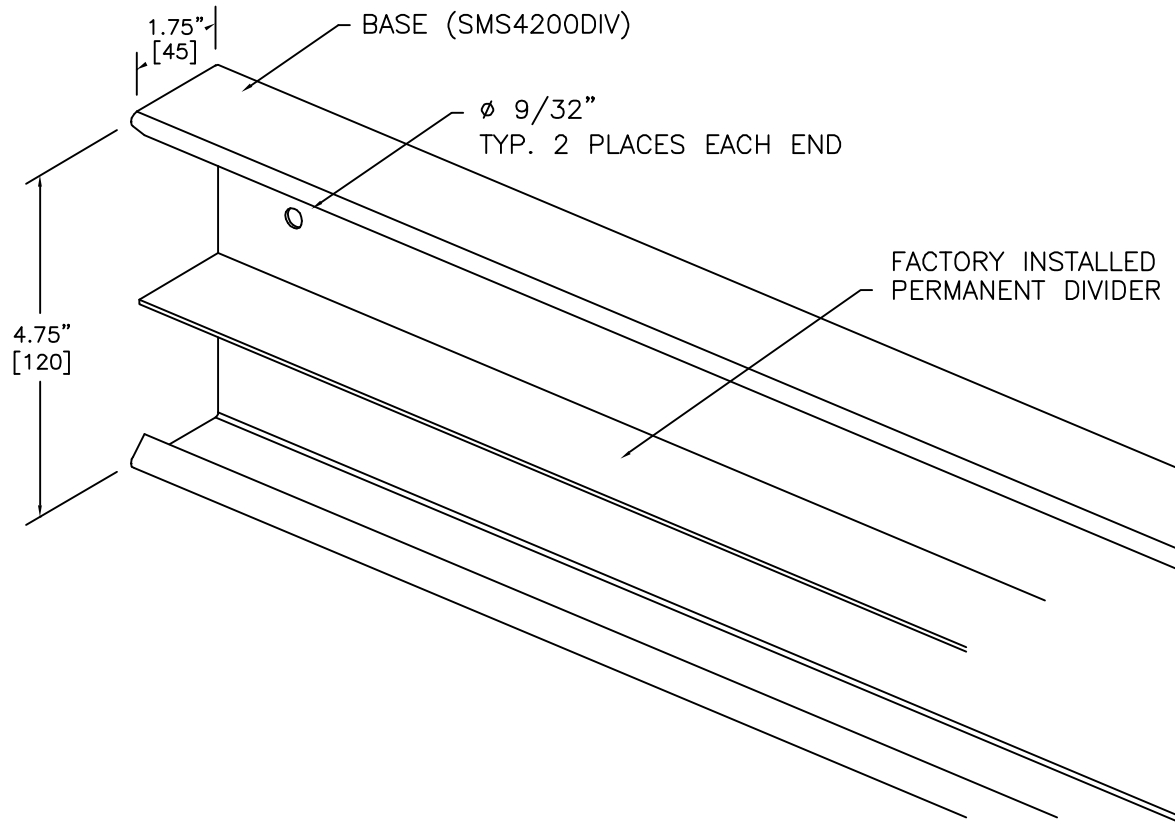
SnapMark™
SMS4200 Series

FIXED DIVIDER BASE – 10' [3m] (SMS4200DIV)

AVAILABLE IN STANDARD GRAY OR IVORY
(ADD "-I" SUFFIX TO SPECIFY IVORY)



SMS4200 SERIES
STEEL RACEWAY
SECTION VIEW
EACH ORDERED SEPARATELY
SCALE: NONE



ASSEMBLY INSTRUCTIONS

1. RIGIDLY SECURE BASE SECTION TO STRUCTURAL BUILDING MEMBER OR WALL CONSTRUCTION AT 18" MAXIMUM MOUNTING CENTERS. ENGINEER TO VERIFY FASTENERS & MOUNTING INTERVAL BASED ON MOUNTING SURFACE CONSTRUCTION. (HARDWARE BY OTHERS)



MONO-SYSTEMS, INC.
UNIQUE CABLE DISTRIBUTION SOLUTIONS
4 INTERNATIONAL DRIVE
RYE BROOK, NEW YORK 10573
PHONE: (914)-934-2075
FAX: (914)-934-2190

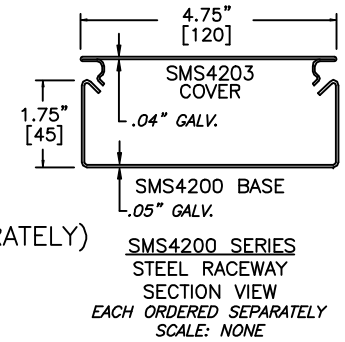
FILENAME: SMS4200DIV

www.monosystems.com

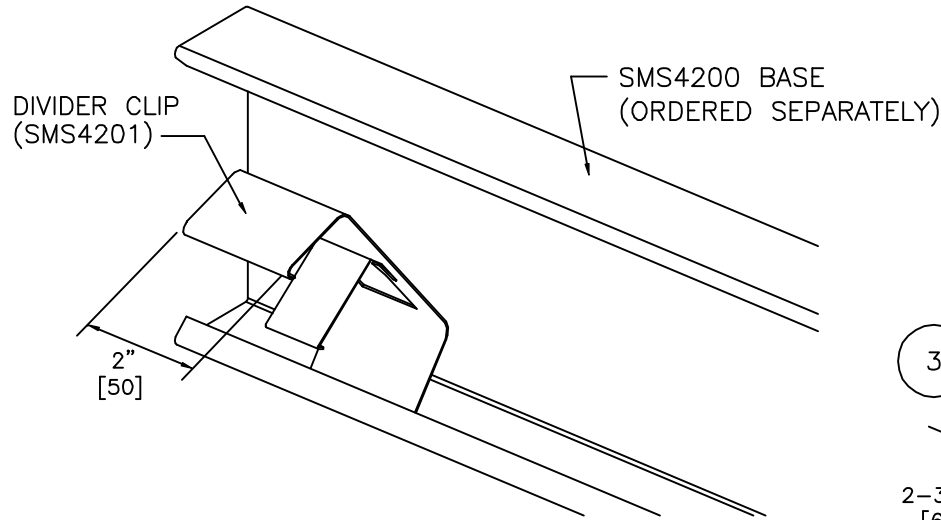
SnapMark™
SMS4200 Series

DIVIDER CLIP (SMS4201)

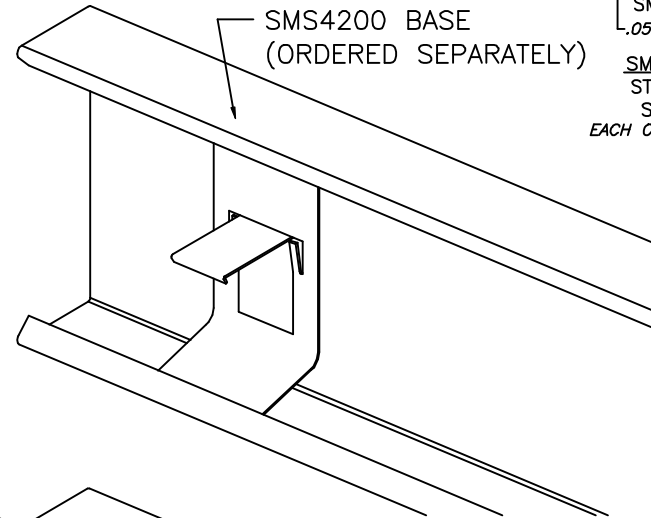
GALVANIZED STEEL - UNPAINTED



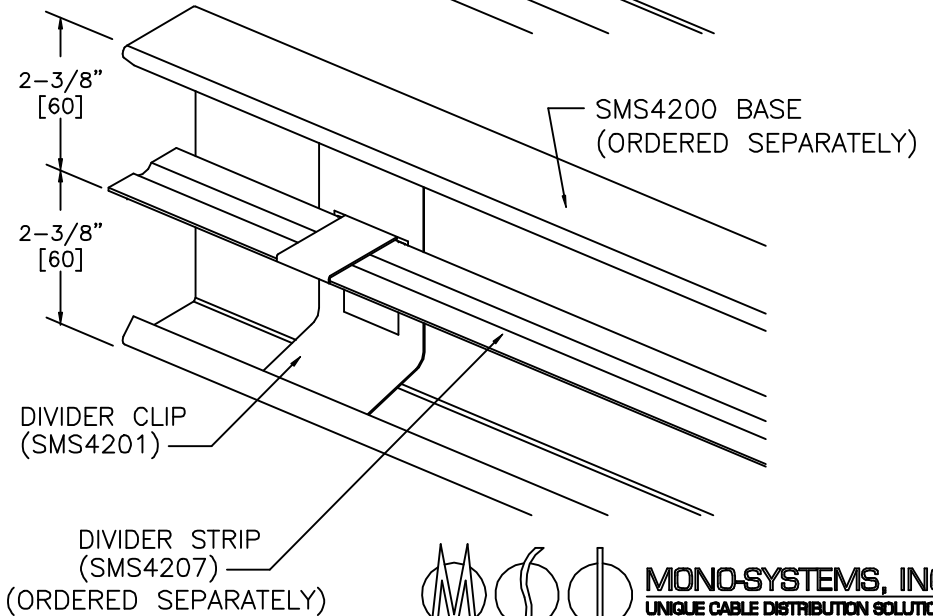
1



2



3



ASSEMBLY INSTRUCTIONS

1. INSERT STRAIGHT END OF DIVIDER CLIP UNDER LIP OF SMS4200 BASE.
2. FIRMLY PRESS CLIP INTO PLACE ENSURING THAT BOTH SIDES ARE COMPLETELY UNDER LIPS OF BASE SECTION. (USE ONE SMS4201 EVERY 2.5' O.C.)
3. DIVIDER STRIP CAN THEN BE SEATED IN CLIP.

NOTE: WHEN UTILIZING DIVIDER CLIPS ALONG A STRAIGHT SECTION, ENSURE THAT ALL CLIPS ARE ORIENTED UNIFORMLY.

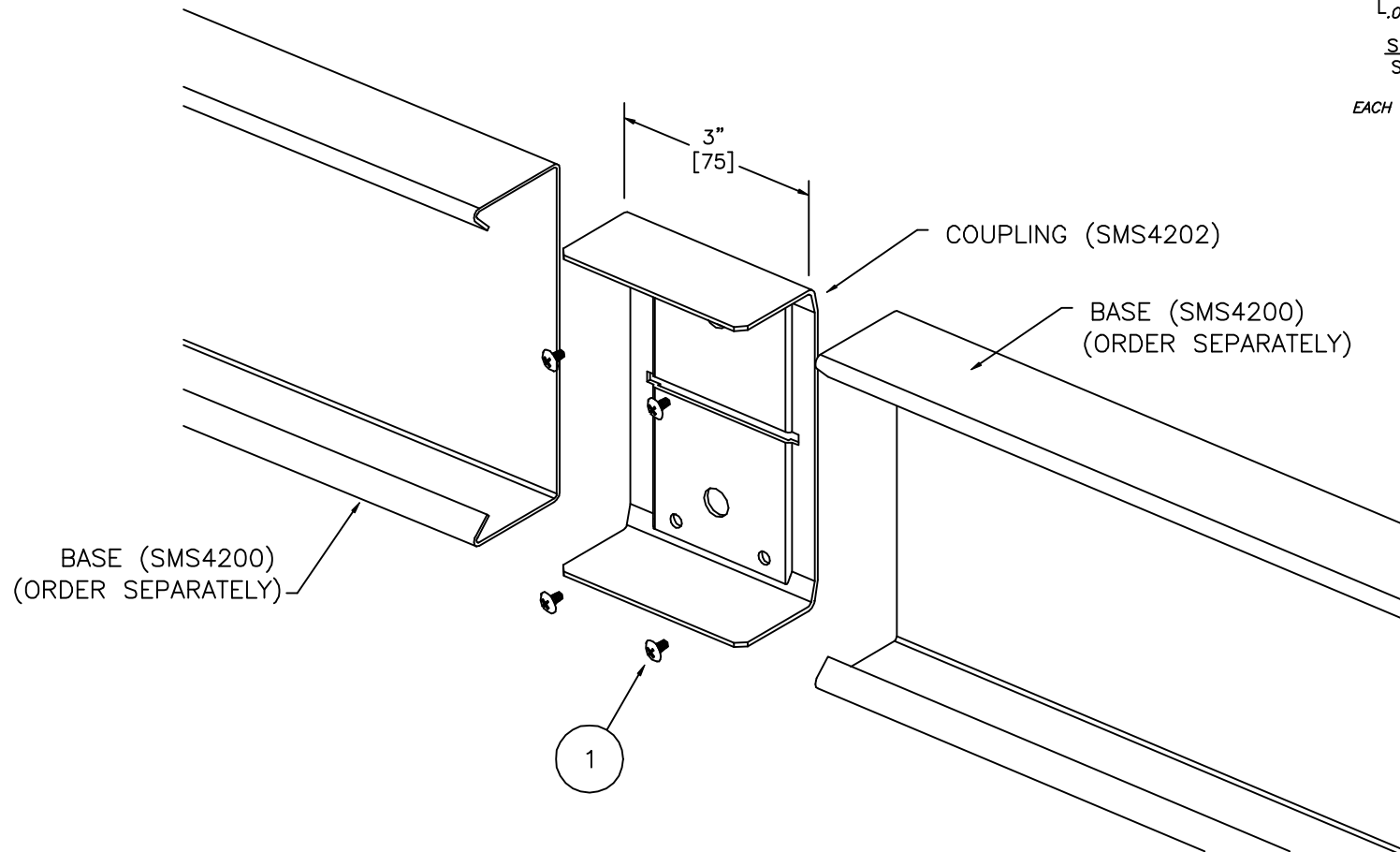
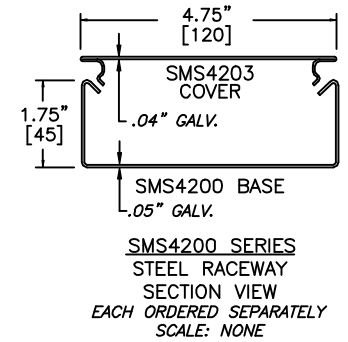


MONO-SYSTEMS, INC.
UNIQUE CABLE DISTRIBUTION SOLUTIONS
4 INTERNATIONAL DRIVE
RYE BROOK, NEW YORK 10573
PHONE: (914)-934-2075
FAX: (914)-934-2190

SnapMark™
SMS4200 Series

COUPLING (SMS4202)

GALVANIZED STEEL - UNPAINTED



ASSEMBLY INSTRUCTIONS

1. INSERT COUPLING INTO ENDS OF SMS4200 BASE SECTIONS TO BE JOINED. SECURE IN PLACE USING FOUR 8-32 X 3/16" PAN HEAD SCREWS. (PROVIDED)

FILENAME: SMS4202

www.monosystems.com

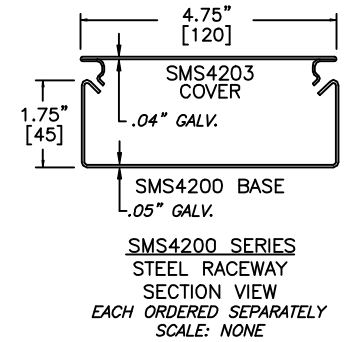


MONO-SYSTEMS, INC.
UNIQUE CABLE DISTRIBUTION SOLUTIONS
4 INTERNATIONAL DRIVE
RYE BROOK, NEW YORK 10573
PHONE: (914)-934-2075
FAX: (914)-934-2190

SnapMark™
SMS4200 Series

COVER — 5' [1.5m] (SMS4203)

AVAILABLE IN STANDARD GRAY OR IVORY
(ADD "-I" SUFFIX TO SPECIFY IVORY)



1

SMS4203
COVER

SMS4200 BASE
(ORDER SEPARATELY)

2

SMS4200 BASE
(ORDER SEPARATELY)

ASSEMBLY INSTRUCTIONS

1. INSERT ONE EDGE OF COVER UNDER LIP OF SMS4200 BASE.
2. FIRMLY PRESS COVER INTO PLACE ENSURING THAT BOTH SIDES ARE COMPLETELY SNAPPED INTO BASE SECTION.

FILENAME: SMS4203

www.monosystems.com

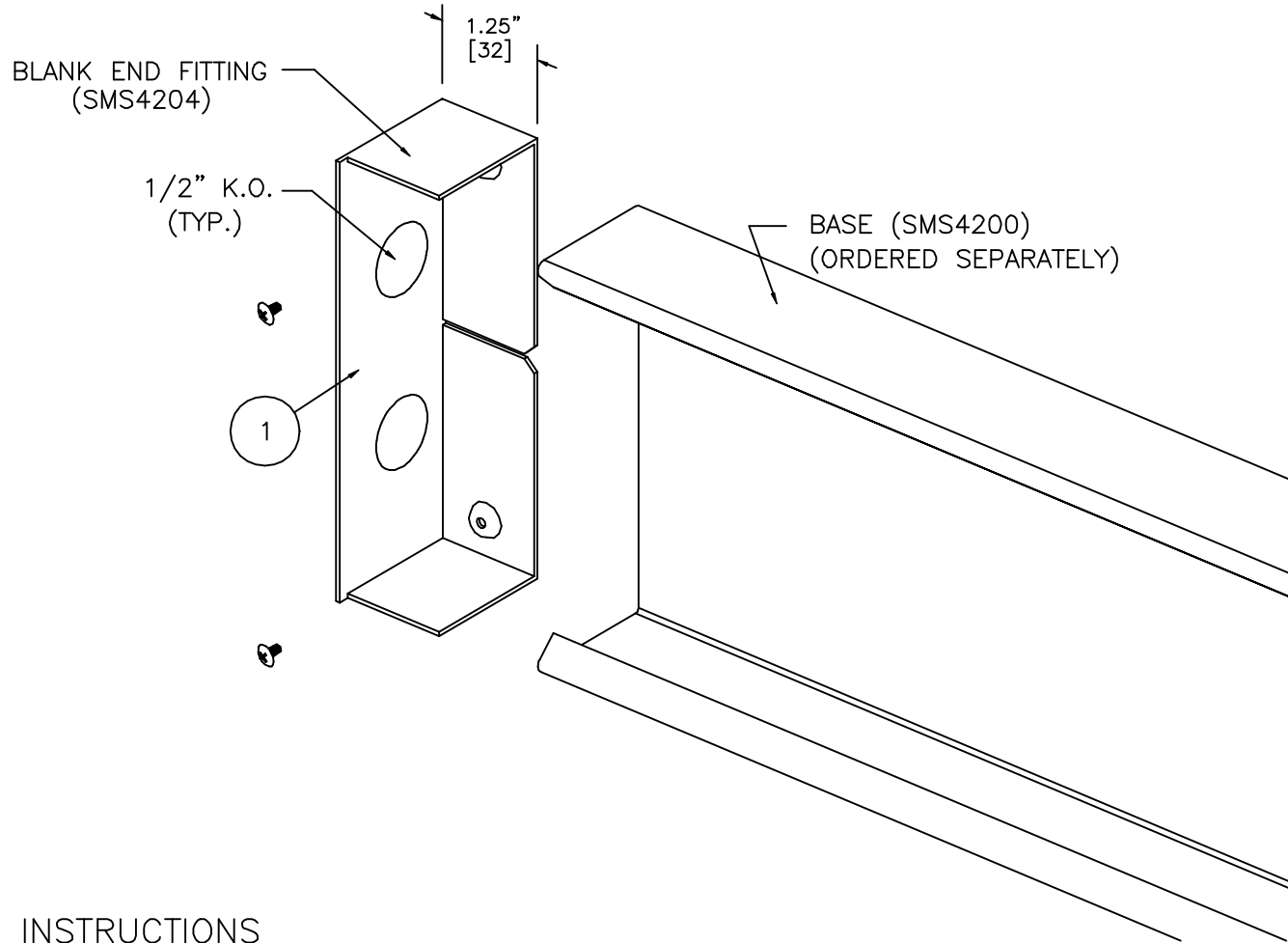
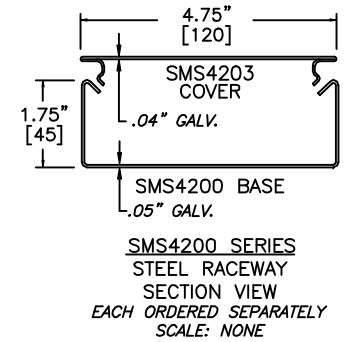


MONO-SYSTEMS, INC.
UNIQUE CABLE DISTRIBUTION SOLUTIONS
4 INTERNATIONAL DRIVE
RYE BROOK, NEW YORK 10573
PHONE: (914)-934-2075
FAX: (914)-934-2190

SnapMark™
SMS4200 Series

BLANK END FITTING — (SMS4204)

AVAILABLE IN STANDARD GRAY OR IVORY
(ADD "-I" SUFFIX TO SPECIFY IVORY)



ASSEMBLY INSTRUCTIONS

1. INSERT BLANK END FULLY INTO SMS4200 BASE SECTION. SECURE WITH TWO 8-32 X 1/4" PAN HEAD SCREWS.

FILENAME: SMS4204

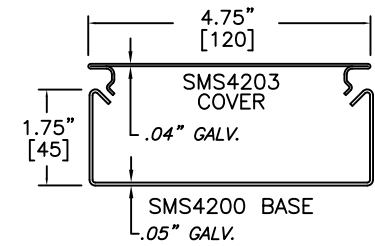
www.monosystems.com



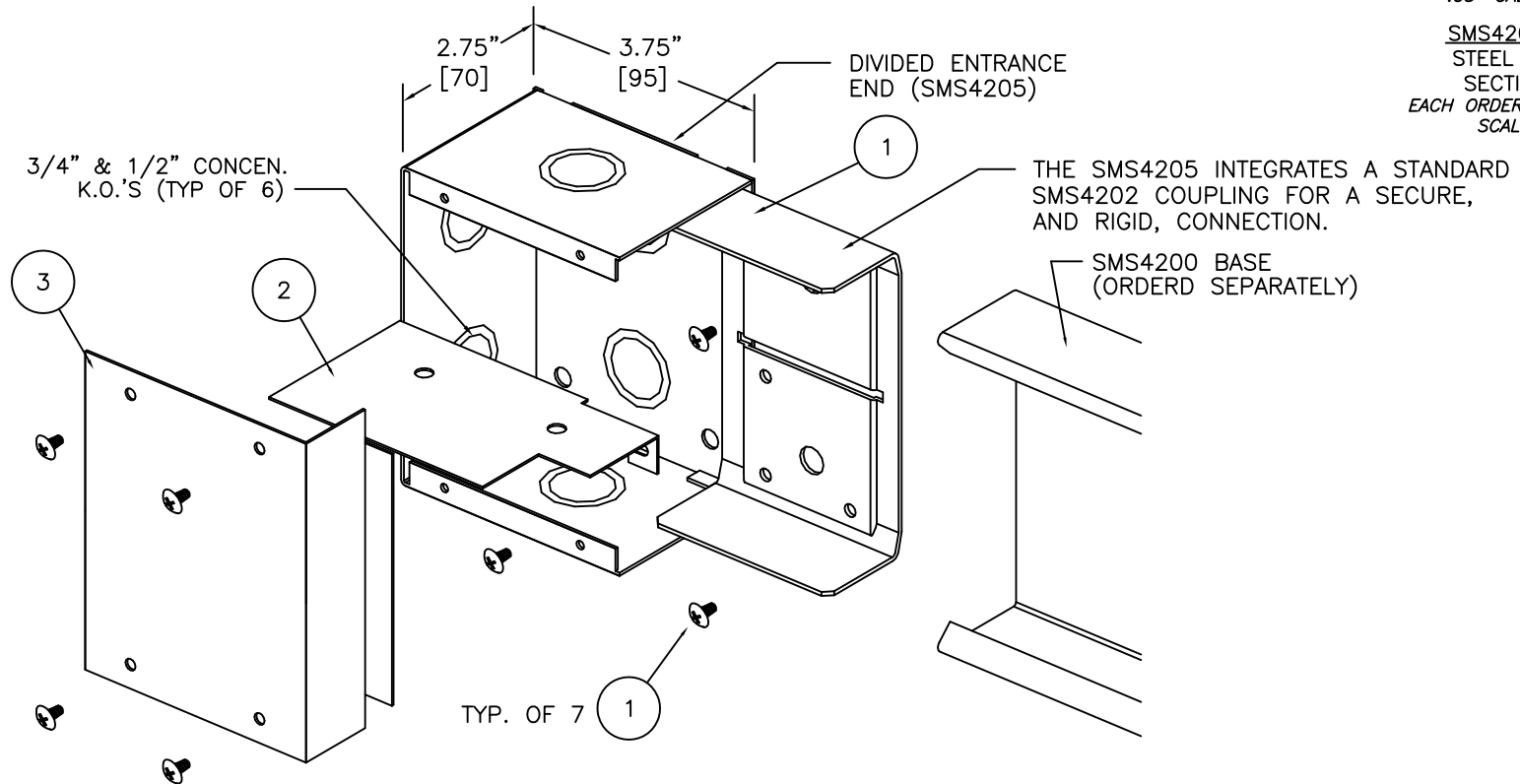
MONO-SYSTEMS, INC.
UNIQUE CABLE DISTRIBUTION SOLUTIONS
4 INTERNATIONAL DRIVE
RYE BROOK, NEW YORK 10573
PHONE: (914)-934-2075
FAX: (914)-934-2190

DIVIDED ENTRANCE END — (SMS4205)

AVAILABLE IN STANDARD GRAY OR IVORY
(ADD "-I" SUFFIX TO SPECIFY IVORY)



SMS4200 SERIES
STEEL RACEWAY
SECTION VIEW
EACH ORDERED SEPARATELY
SCALE: NONE



ASSEMBLY INSTRUCTIONS

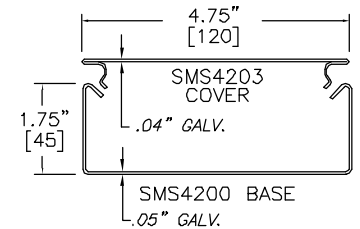
1. SLIDE DIVIDED ENTRANCE END INTO END OF SMS4200 BASE SECTION AND SECURE WITH TWO 8-32 X 3/16" PAN HEAD SCREWS.
2. SECURE DIVIDER INTO BOX WITH ONE 8/32 X 3/16" PAN HEAD SCREW.
3. COVER IS FASTENED TO BOX USING FOUR 8/32 X 3/16" PAN HEAD SCREWS.



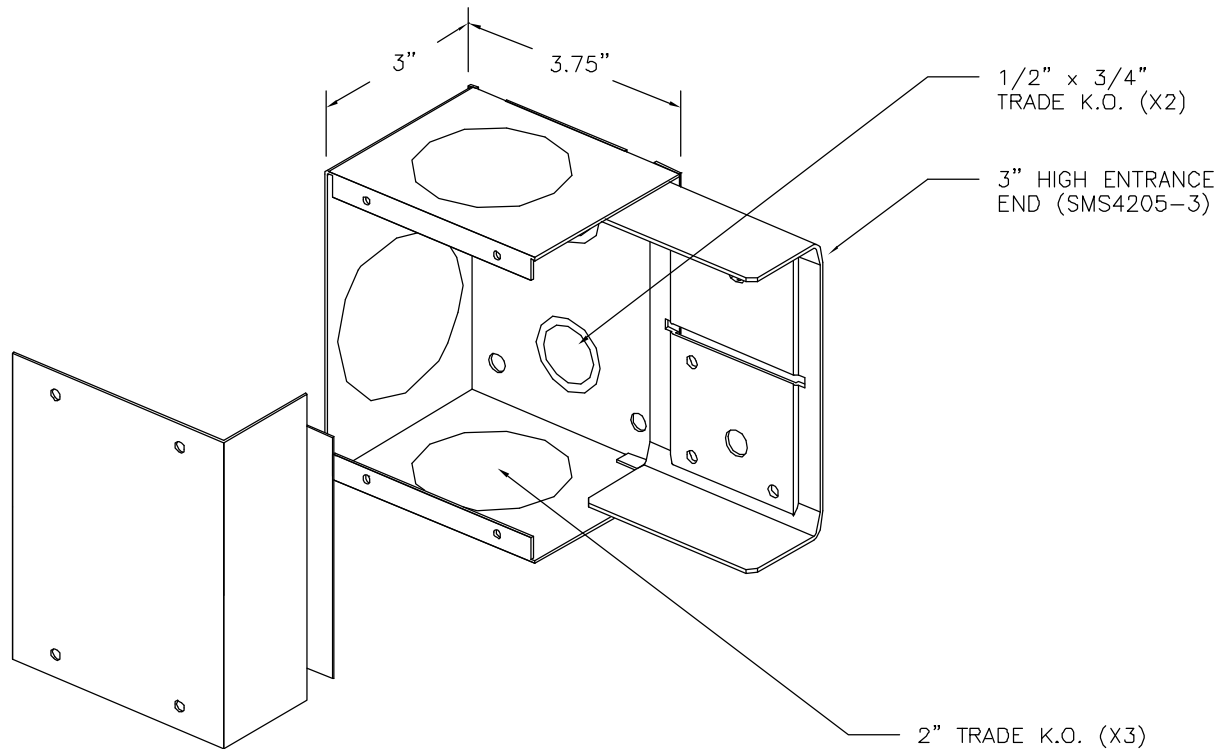
SnapMark™
SMS4200 Series

3" HIGH ENTRANCE END — (SMS4205-3)

AVAILABLE IN STANDARD GRAY OR IVORY
(ADD "-I" SUFFIX TO SPECIFY IVORY)



SMS4200 SERIES
STEEL RACEWAY
SECTION VIEW
EACH ORDERED SEPARATELY
SCALE: NONE

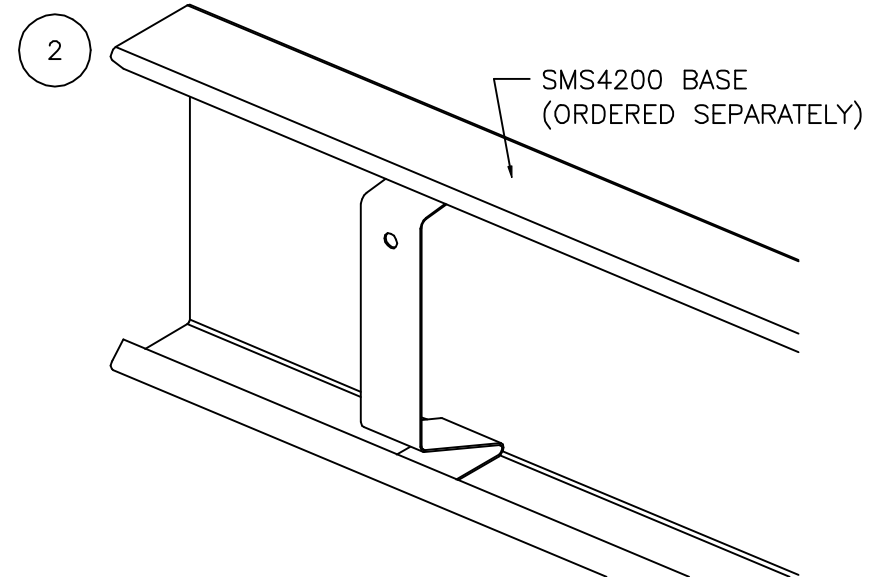
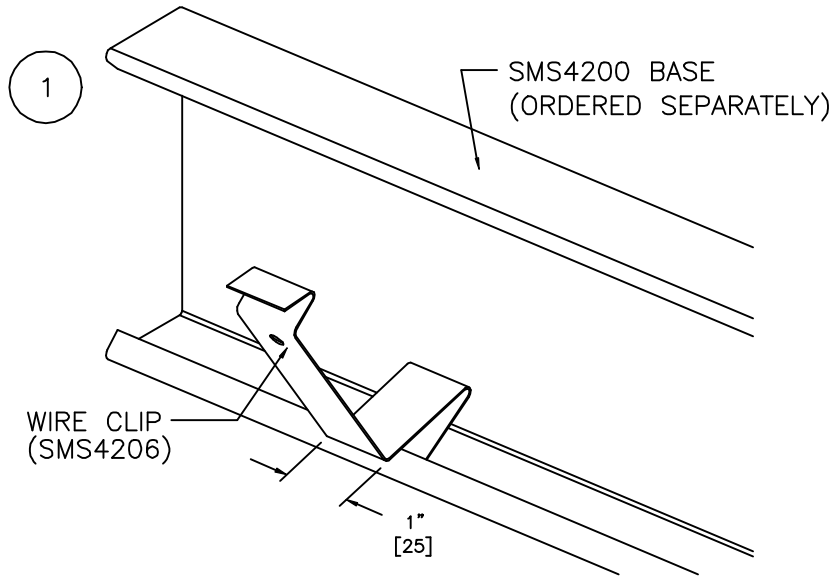
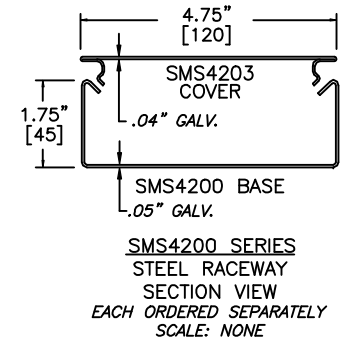


MONO-SYSTEMS, INC.
UNIQUE CABLE DISTRIBUTION SOLUTIONS
4 INTERNATIONAL DRIVE
RYE BROOK, NEW YORK 10573
PHONE: (914)-934-2075
FAX: (914)-934-2190

SnapMark™
SMS4200 Series

WIRE CLIP — (SMS4206)

GALVANIZED STEEL — UNPAINTED



ASSEMBLY INSTRUCTIONS

1. INSERT LONG SIDE OF WIRE CLIP UNDER LIP OF SMS4200 BASE AFTER INSTALLATION OF WIRING.
2. FIRMLY PRESS CLIP INTO PLACE ENSURING THAT BOTH SIDES ARE COMPLETELY UNDER LIPS OF BASE SECTION.

FILENAME: SMS4206

www.monosystems.com

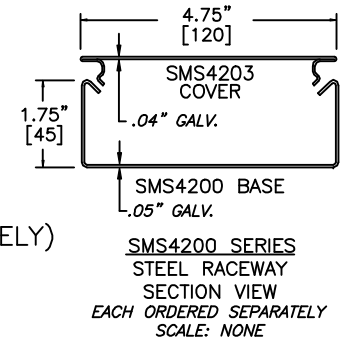


MONO-SYSTEMS, INC.
UNIQUE CABLE DISTRIBUTION SOLUTIONS
4 INTERNATIONAL DRIVE
RYE BROOK, NEW YORK 10573
PHONE: (914)-934-2075
FAX: (914)-934-2190

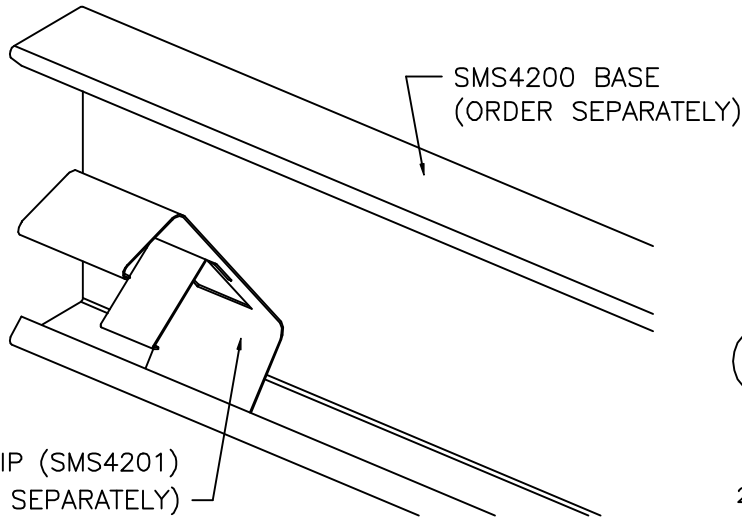
SnapMark™
SMS4200 Series

DIVIDER STRIP (SMS4207)

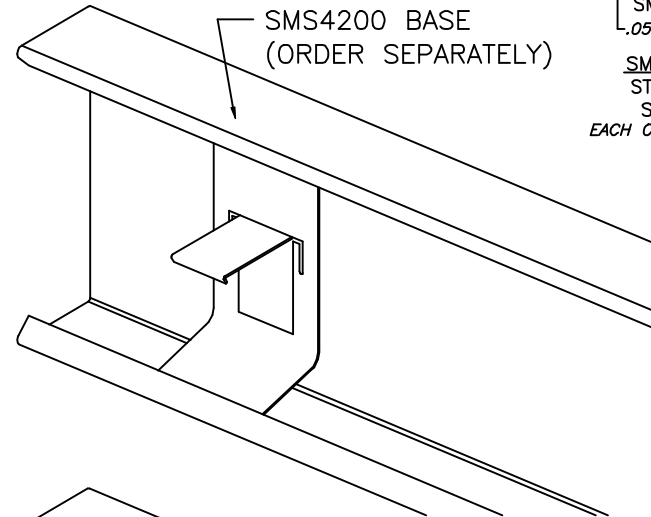
GALVANIZED STEEL



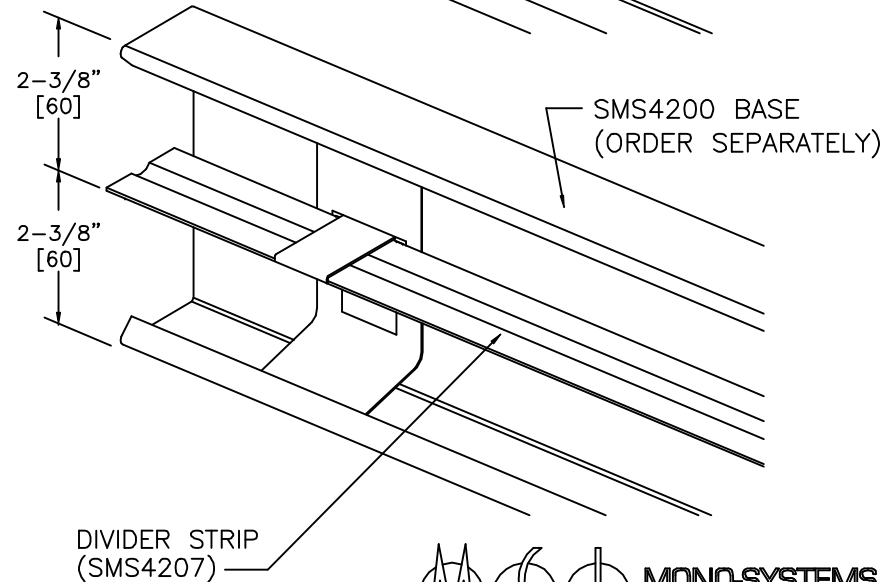
1



2



3



ASSEMBLY INSTRUCTIONS

1. INSERT STRAIGHT END OF DIVIDER CLIP UNDER LIP OF SMS4200 BASE.
2. FIRMLY PRESS CLIP INTO PLACE ENSURING THAT BOTH SIDES ARE COMPLETELY UNDER LIPS OF BASE SECTION.
3. DIVIDER STRIP CAN THEN BE SEATED IN CLIP.

NOTE: WHEN UTILIZING DIVIDER CLIPS ALONG A STRAIGHT SECTION, ENSURE THAT ALL CLIPS ARE ORIENTED UNIFORMLY.

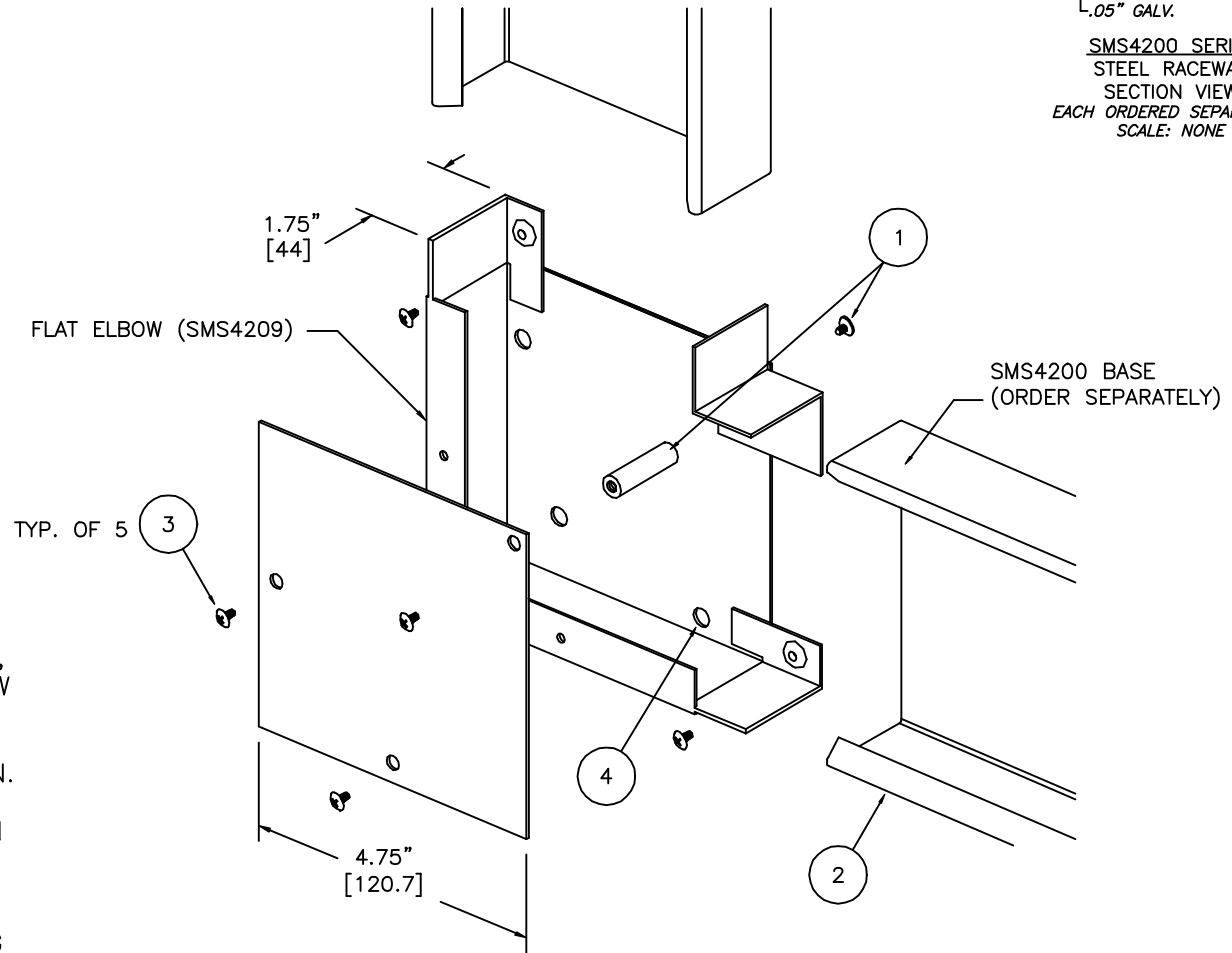
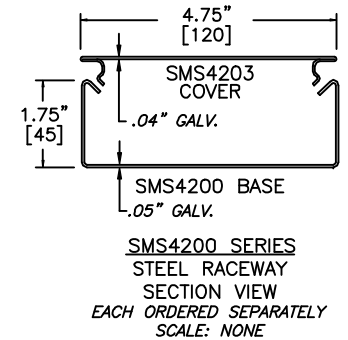


MONO-SYSTEMS, INC.
UNIQUE CABLE DISTRIBUTION SOLUTIONS
4 INTERNATIONAL DRIVE
RYE BROOK, NEW YORK 10573
PHONE: (914)-934-2075
FAX: (914)-934-2190

SnapMark™
SMS4200 Series

90° FLAT ELBOW — (SMS4209)

AVAILABLE IN STANDARD GRAY OR IVORY
(ADD "-I" SUFFIX TO SPECIFY IVORY)



ASSEMBLY INSTRUCTIONS

1. USING FLAT HEAD MACHINE SCREW, SECURE MOUNTING POST TO ELBOW
2. SLIDE EXTERNAL 90° ELBOW INTO ENDS OF SMS4200 BASE SECTION.
3. SECURE ELBOW TO BASE SECTION USING TWO 8-32 X 3/16" PAN HEAD SCREWS.
4. SECURE FLAT ELBOW TO MOUNTING SURFACE WITH SCREWS SUPPLIED BY OTHERS.
5. THREE 8-32 X 3/16" PAN HEAD SCREWS ARE USED TO SECURE COVER TO FLAT ELBOW.

FILENAME: SMS4209

www.monosystems.com

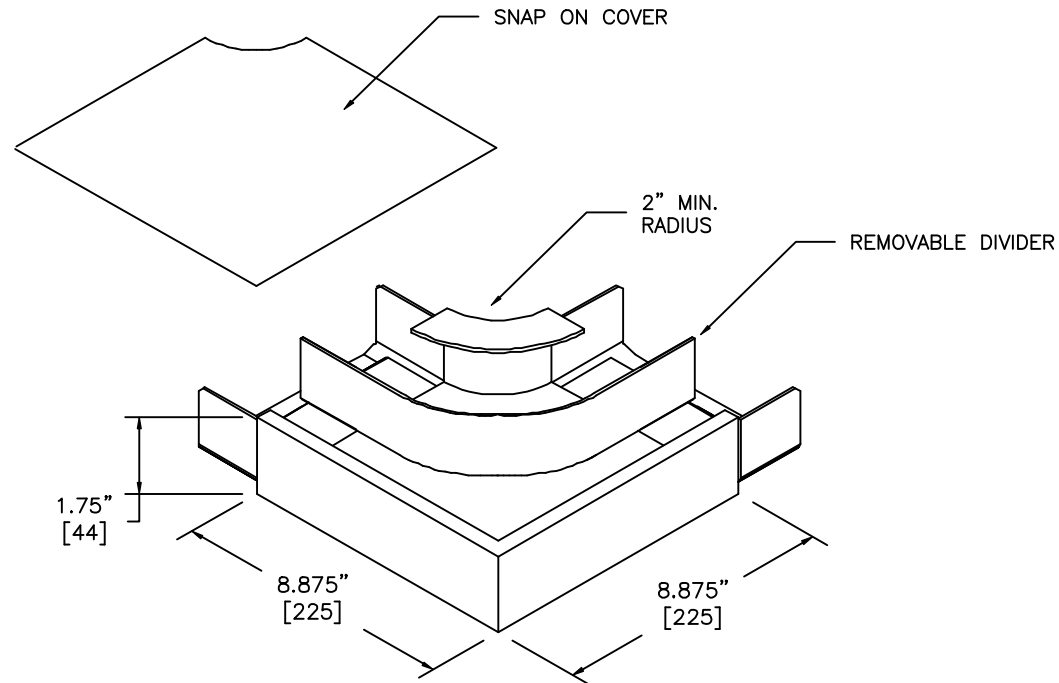
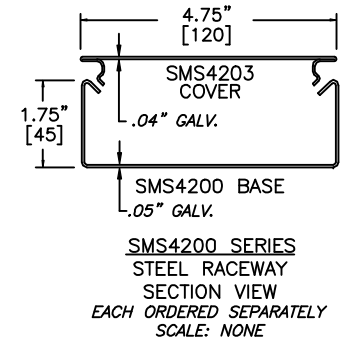


MONO-SYSTEMS, INC.
UNIQUE CABLE DISTRIBUTION SOLUTIONS
4 INTERNATIONAL DRIVE
RYE BROOK, NEW YORK 10573
PHONE: (914)-934-2075
FAX: (914)-934-2190

SnapMark™
SMS4200 Series

90° FLAT ELBOW w/ 2" RADIUS – (SMS4209FO)

AVAILABLE IN STANDARD GRAY OR IVORY
(ADD "-I" SUFFIX TO SPECIFY IVORY)



ASSEMBLY INSTRUCTIONS

1. SLIDE SMS4209FO INTO ENDS OF SMS4200 BASE SECTIONS.
2. SECURE ELBOW TO BASE SECTIONS USING PROVIDED HARDWARE.
3. SECURE FLAT ELBOW TO MOUNTING SURFACE WITH SCREWS SUPPLIED BY OTHERS.
4. SNAP COVER INTO PLACE.

FILENAME: SMS4209FO

www.monosystems.com

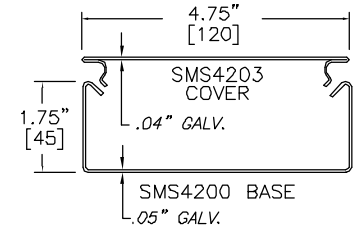


MONO-SYSTEMS, INC.
UNIQUE CABLE DISTRIBUTION SOLUTIONS
4 INTERNATIONAL DRIVE
RYE BROOK, NEW YORK 10573
PHONE: (914)-934-2075
FAX: (914)-934-2190

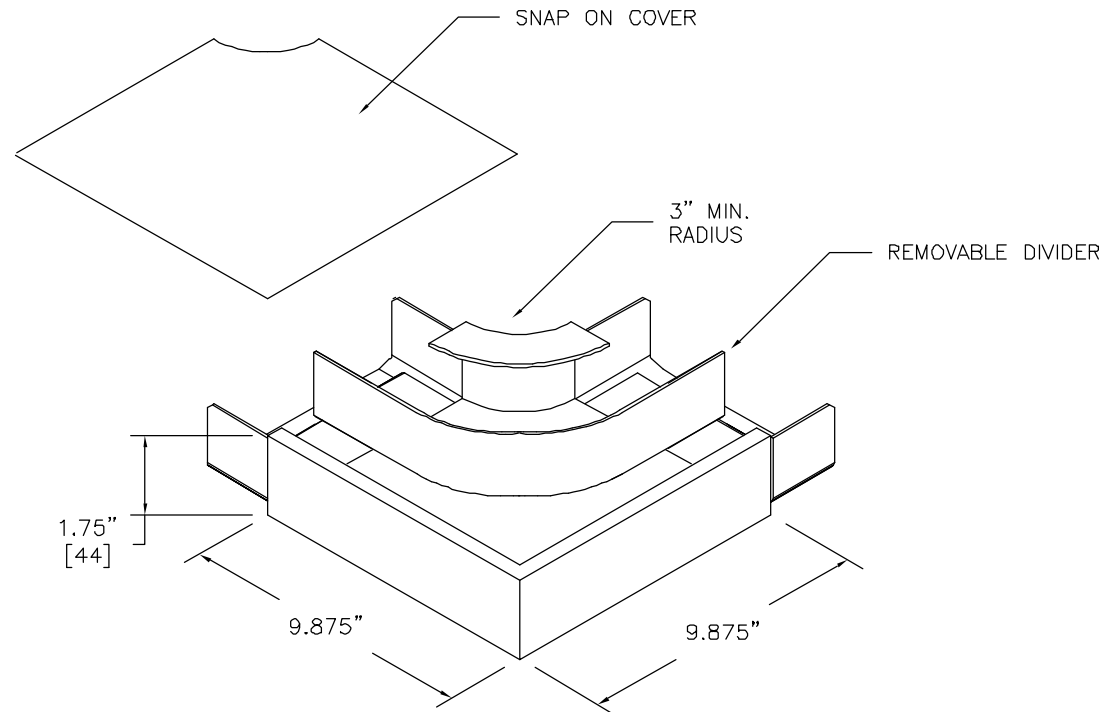
SnapMark™
SMS4200 Series

90° FLAT ELBOW w/ 3" RADIUS – (SMS4209F03)

AVAILABLE IN STANDARD GRAY OR IVORY
(ADD "-I" SUFFIX TO SPECIFY IVORY)



SMS4200 SERIES
STEEL RACEWAY
SECTION VIEW
EACH ORDERED SEPARATELY
SCALE: NONE



ASSEMBLY INSTRUCTIONS

1. SLIDE SMS4209F03 INTO ENDS OF SMS4200 BASE SECTIONS.
2. SECURE ELBOW TO BASE SECTIONS USING PROVIDED HARDWARE.
3. SECURE FLAT ELBOW TO MOUNTING SURFACE WITH SCREWS SUPPLIED BY OTHERS.
4. SNAP COVER INTO PLACE.

FILENAME: SMS4209F03

www.monosystems.com

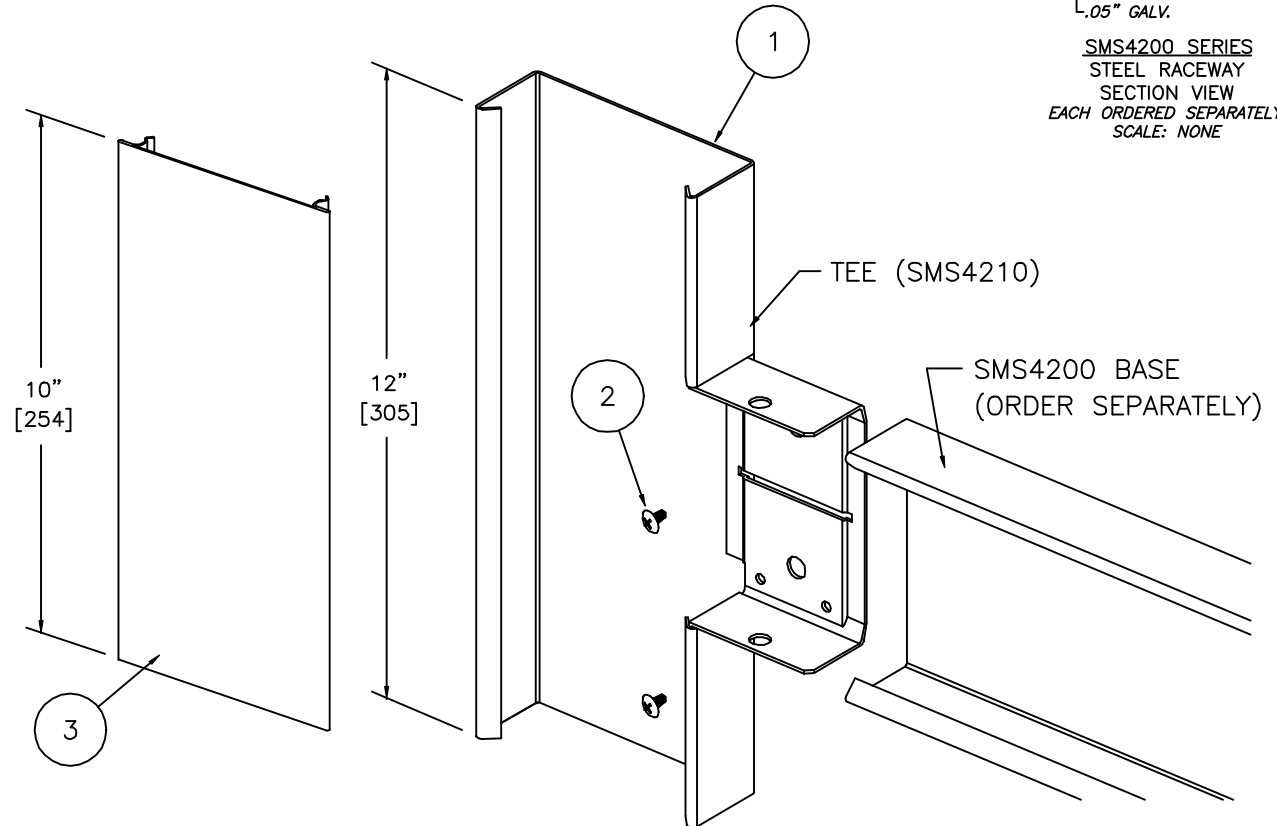
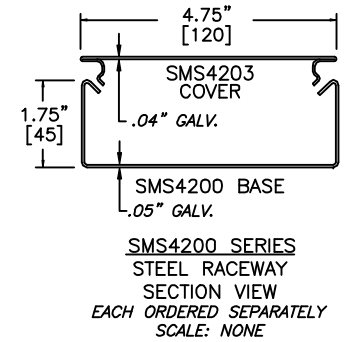


MONO-SYSTEMS, INC.
UNIQUE CABLE DISTRIBUTION SOLUTIONS
4 INTERNATIONAL DRIVE
RYE BROOK, NEW YORK 10573
PHONE: (914)-934-2075
FAX: (914)-934-2190

SnapMark™
SMS4200 Series

TEE — (SMS4210)

AVAILABLE IN STANDARD GRAY OR IVORY
(ADD "-I" SUFFIX TO SPECIFY IVORY)



ASSEMBLY INSTRUCTIONS

1. SLIDE TEE INTO END OF SMS4200 BASE SECTION.
2. SECURE ELBOW TO BASE SECTION BY INSERTING TWO 8-32 X 3/16" PAN HEAD SCREWS INTO TAPPED HOLES.
3. SNAP COVER IN PLACE.

FILENAME: SMS4210

www.monosystems.com

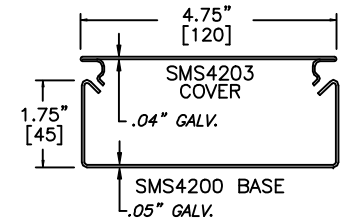


MONO-SYSTEMS, INC.
UNIQUE CABLE DISTRIBUTION SOLUTIONS
4 INTERNATIONAL DRIVE
RYE BROOK, NEW YORK 10573
PHONE: (914)-934-2075
FAX: (914)-934-2190

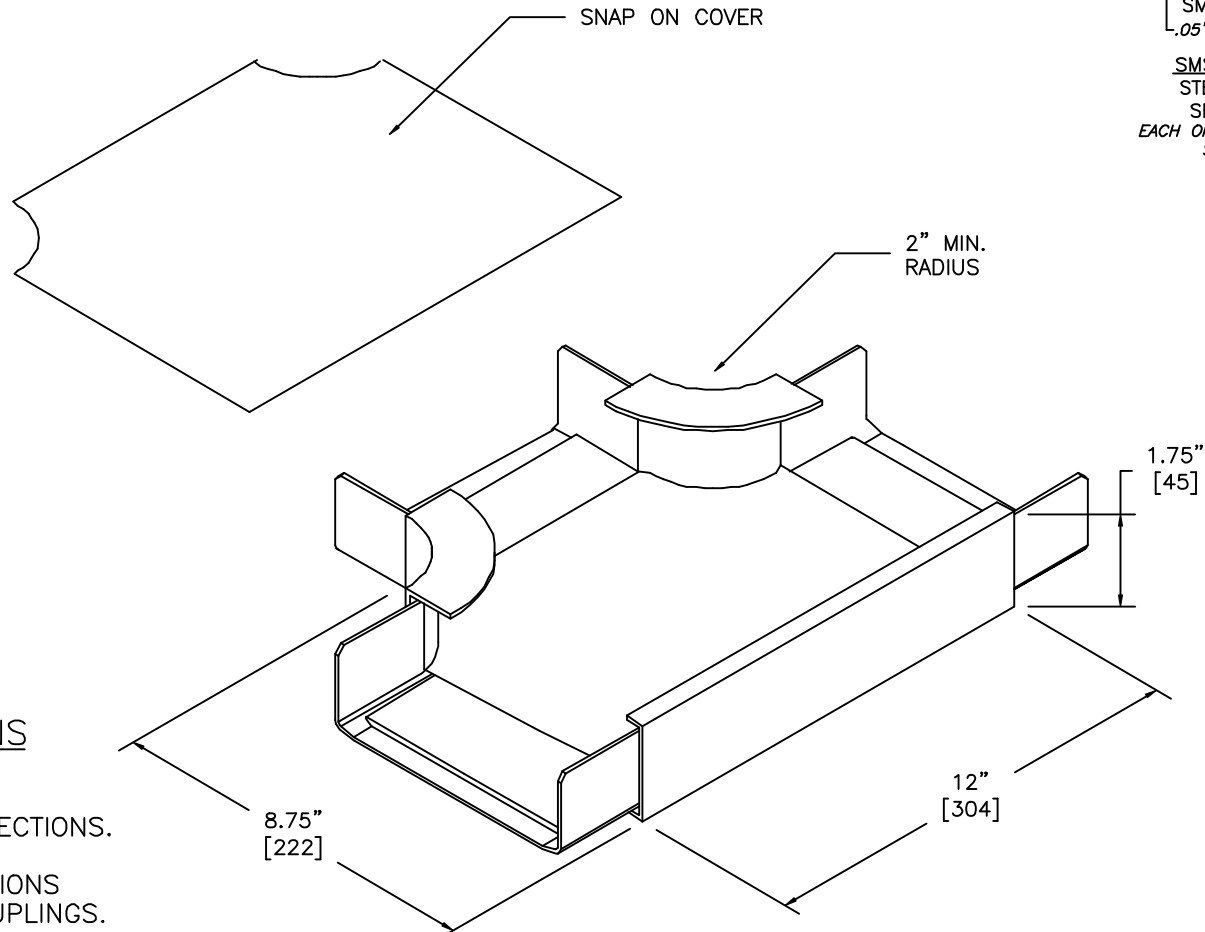
SnapMark™
SMS4200 Series

TEE w/ 2" RADIUS - (SMS4210FO)

AVAILABLE IN STANDARD GRAY OR IVORY
(ADD "-I" SUFFIX TO SPECIFY IVORY)



SMS4200 SERIES
STEEL RACEWAY
SECTION VIEW
EACH ORDERED SEPARATELY
SCALE: NONE



ASSEMBLY INSTRUCTIONS

1. SLIDE SMS4210FO INTO ENDS OF SMS4200 BASE SECTIONS.
2. SECURE TEE TO BASE SECTIONS USING THREE SMS4202 COUPLINGS. (ORDER SEPARATELY)
3. SECURE TEE TO MOUNTING SURFACE WITH SCREWS SUPPLIED BY OTHERS.
4. SNAP COVER INTO PLACE.

FILENAME: SMS4210FO

www.monosystems.com

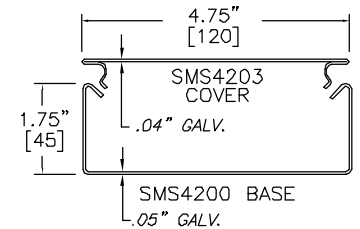


MONO-SYSTEMS, INC.
UNIQUE CABLE DISTRIBUTION SOLUTIONS
4 INTERNATIONAL DRIVE
RYE BROOK, NEW YORK 10573
PHONE: (914)-934-2075
FAX: (914)-934-2190

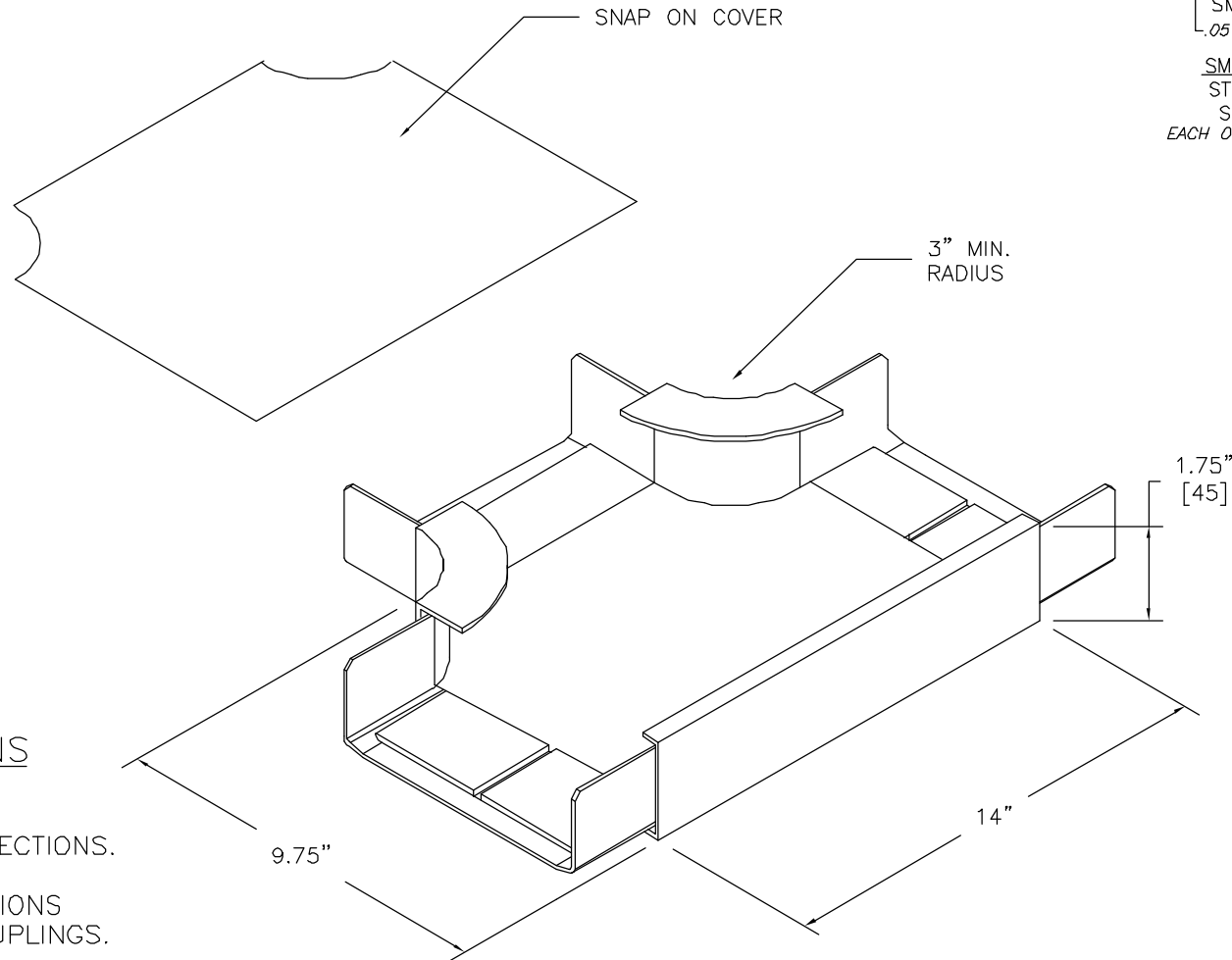
SnapMark™
SMS4200 Series

TEE w/ 3" RADIUS – (SMS4210F03)

AVAILABLE IN STANDARD GRAY OR IVORY
(ADD "-I" SUFFIX TO SPECIFY IVORY)



SMS4200 SERIES
STEEL RACEWAY
SECTION VIEW
EACH ORDERED SEPARATELY
SCALE: NONE



ASSEMBLY INSTRUCTIONS

1. SLIDE SMS4210F03 INTO ENDS OF SMS4200 BASE SECTIONS.
2. SECURE TEE TO BASE SECTIONS USING THREE SMS4202 COUPLINGS. (ORDER SEPARATELY)
3. SECURE TEE TO MOUNTING SURFACE WITH SCREWS SUPPLIED BY OTHERS.
4. SNAP COVER INTO PLACE.

FILENAME: SMS4210F03

www.monosystems.com

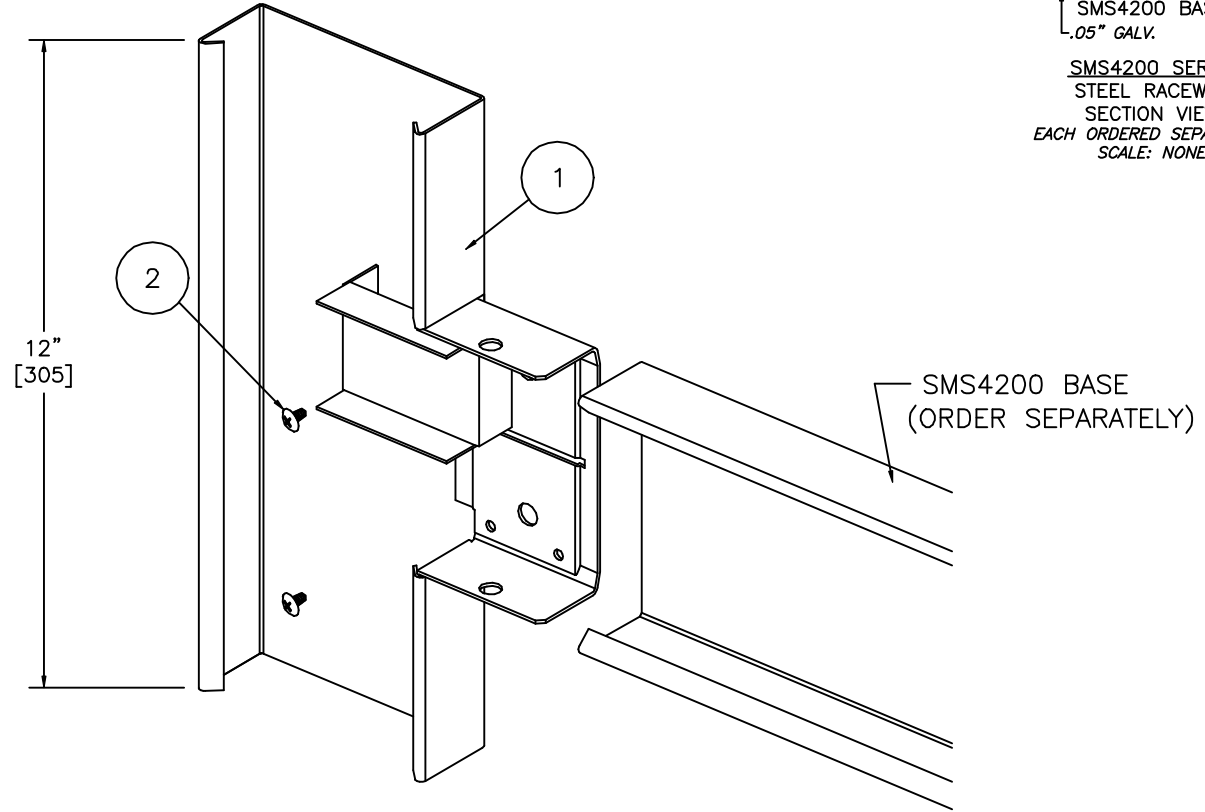
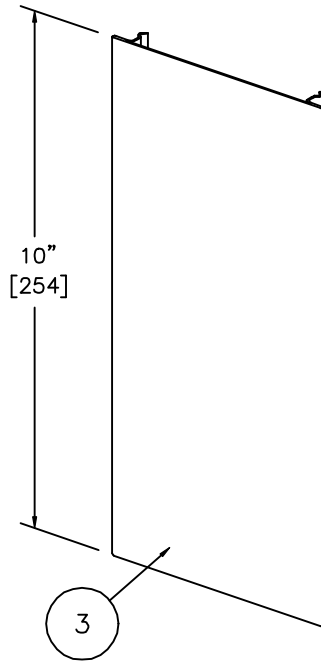
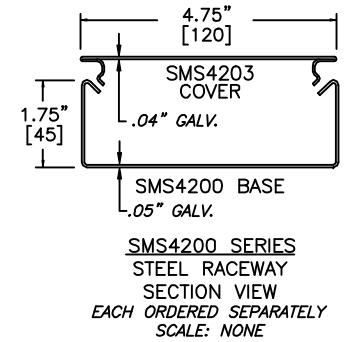


MONO-SYSTEMS, INC.
UNIQUE CABLE DISTRIBUTION SOLUTIONS
4 INTERNATIONAL DRIVE
RYE BROOK, NEW YORK 10573
PHONE: (914)-934-2075
FAX: (914)-934-2190

SnapMark™
SMS4200 Series

DIVIDED TEE — (SMS4211)

AVAILABLE IN STANDARD GRAY OR IVORY
(ADD "-I" SUFFIX TO SPECIFY IVORY)



ASSEMBLY INSTRUCTIONS

1. SLIDE DIVIDED TEE INTO END OF SMS4200 BASE SECTION.
2. SECURE ELBOW TO BASE SECTION BY INSERTING TWO 8-32 X 3/16" PAN HEAD SCREWS INTO TAPPED HOLES.
3. SNAP COVER IN PLACE.

FILENAME: SMS4211

www.monosystems.com

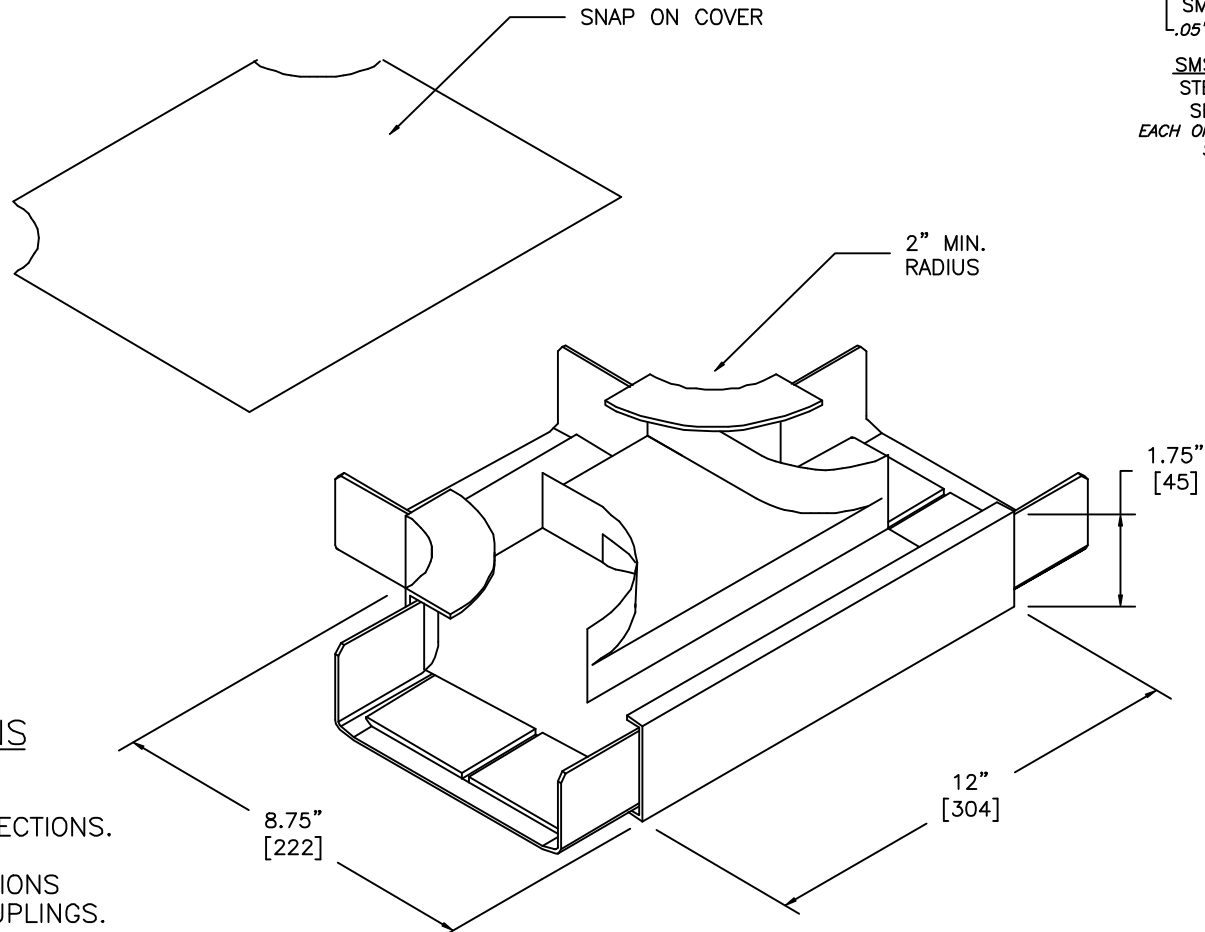
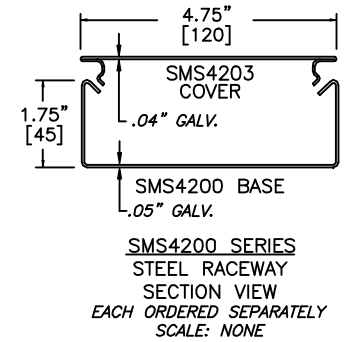


MONO-SYSTEMS, INC.
UNIQUE CABLE DISTRIBUTION SOLUTIONS
4 INTERNATIONAL DRIVE
RYE BROOK, NEW YORK 10573
PHONE: (914)-934-2075
FAX: (914)-934-2190

SnapMark™
SMS4200 Series

DIVIDED TEE w/ 2" RADIUS – (SMS4211FO)

AVAILABLE IN STANDARD GRAY OR IVORY
(ADD "-I" SUFFIX TO SPECIFY IVORY)



ASSEMBLY INSTRUCTIONS

1. SLIDE SMS4211FO INTO ENDS OF SMS4200 BASE SECTIONS.
2. SECURE TEE TO BASE SECTIONS USING THREE SMS4202 COUPLINGS. (ORDER SEPARATELY)
3. SECURE TEE TO MOUNTING SURFACE WITH SCREWS SUPPLIED BY OTHERS.
4. SNAP COVER INTO PLACE.

FILENAME: SMS4211FO

www.monosystems.com

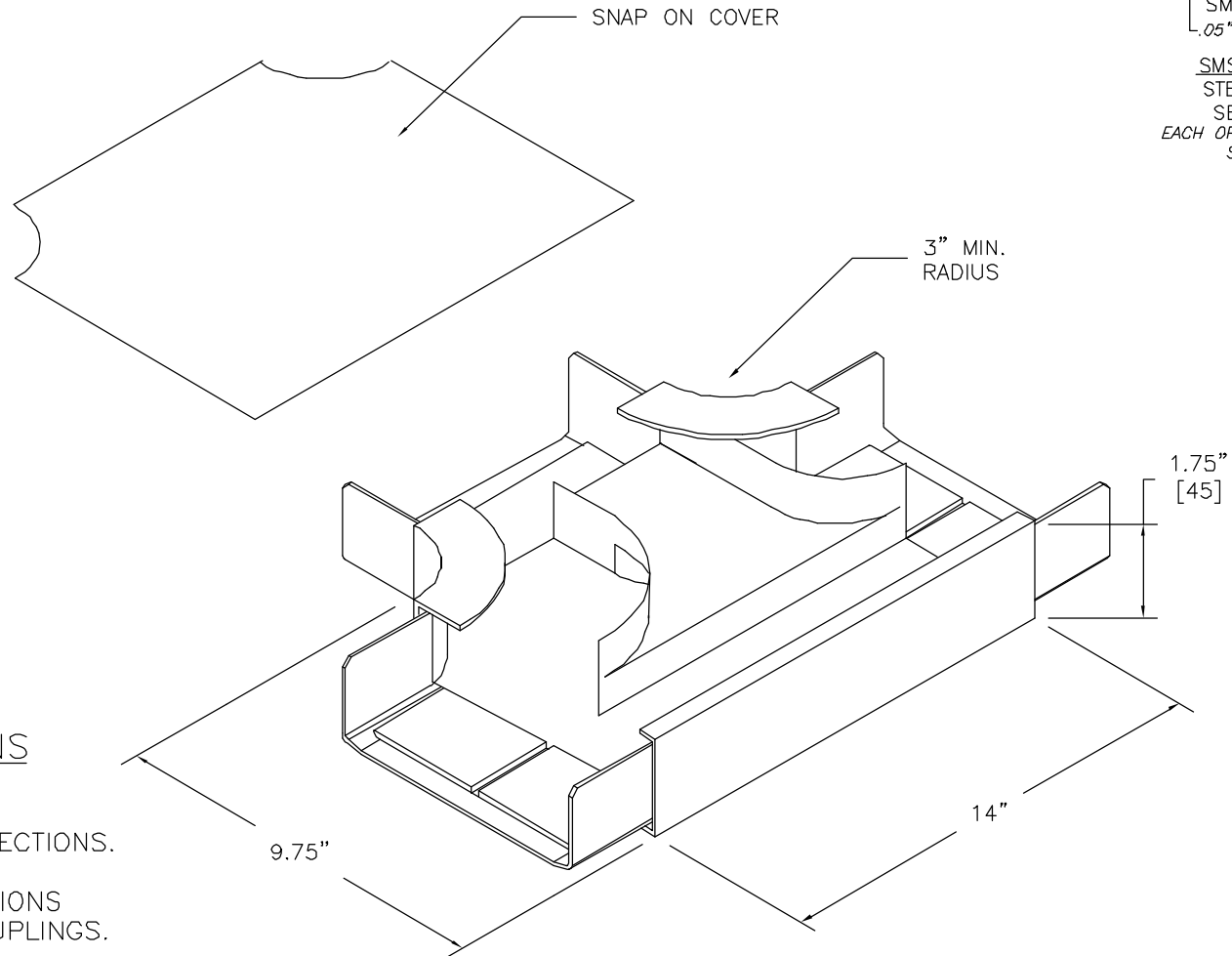
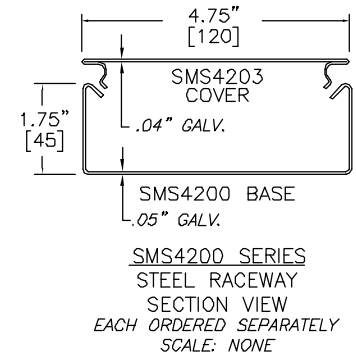


MONO-SYSTEMS, INC.
UNIQUE CABLE DISTRIBUTION SOLUTIONS
4 INTERNATIONAL DRIVE
RYE BROOK, NEW YORK 10573
PHONE: (914)-934-2075
FAX: (914)-934-2190

SnapMark™
SMS4200 Series

DIVIDED TEE w/ 3" RADIUS – (SMS4211F03)

AVAILABLE IN STANDARD GRAY OR IVORY
(ADD "-I" SUFFIX TO SPECIFY IVORY)



ASSEMBLY INSTRUCTIONS

1. SLIDE SMS4211F03 INTO ENDS OF SMS4200 BASE SECTIONS.
2. SECURE TEE TO BASE SECTIONS USING THREE SMS4202 COUPLINGS. (ORDER SEPARATELY)
3. SECURE TEE TO MOUNTING SURFACE WITH SCREWS SUPPLIED BY OTHERS.
4. SNAP COVER INTO PLACE.

FILENAME: SMS4211F03

www.monosystems.com

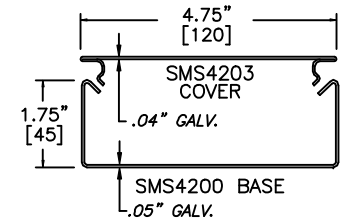


MONO-SYSTEMS, INC.
UNIQUE CABLE DISTRIBUTION SOLUTIONS
4 INTERNATIONAL DRIVE
RYE BROOK, NEW YORK 10573
PHONE: (914)-934-2075
FAX: (914)-934-2190

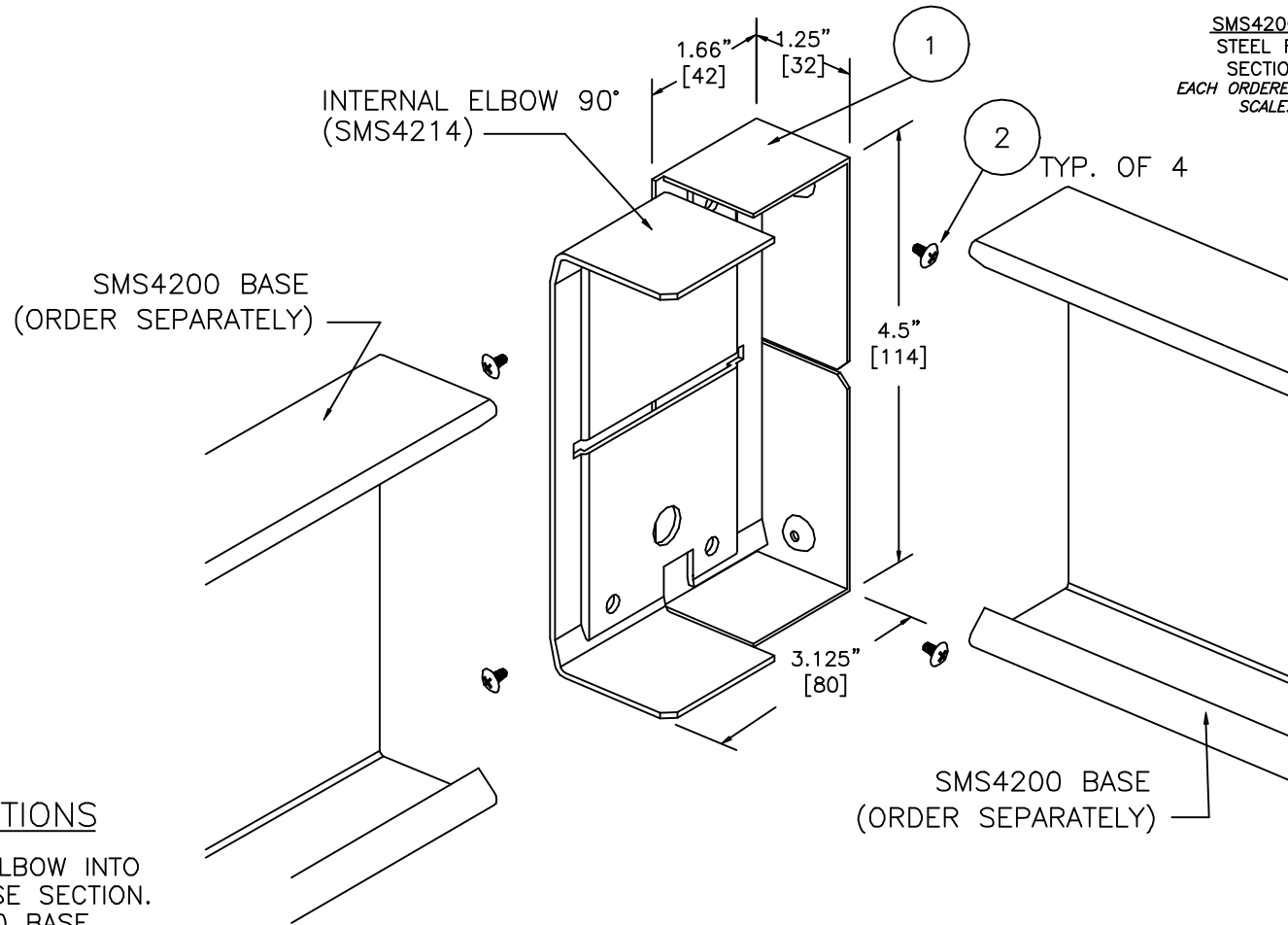
SnapMark™
SMS4200 Series

INTERNAL 90° ELBOW — (SMS4214)

AVAILABLE IN STANDARD GRAY OR IVORY
(ADD "-I" SUFFIX TO SPECIFY IVORY)



SMS4200 SERIES
STEEL RACEWAY
SECTION VIEW
EACH ORDERED SEPARATELY
SCALE: NONE



ASSEMBLY INSTRUCTIONS

1. SLIDE INTERNAL 90° ELBOW INTO END OF SMS4200 BASE SECTION. SLIDE OTHER SMS4200 BASE SECTION INTO INTERNAL 90° ELBOW.
2. SECURE ELBOW TO BASE SECTION USING FOUR 8-32 X 3/16" PAN HEAD SCREWS.

FILENAME: SMS4214

www.monosystems.com

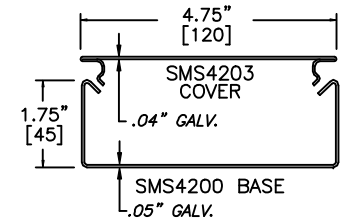


MONO-SYSTEMS, INC.
UNIQUE CABLE DISTRIBUTION SOLUTIONS
4 INTERNATIONAL DRIVE
RYE BROOK, NEW YORK 10573
PHONE: (914)-934-2075
FAX: (914)-934-2190

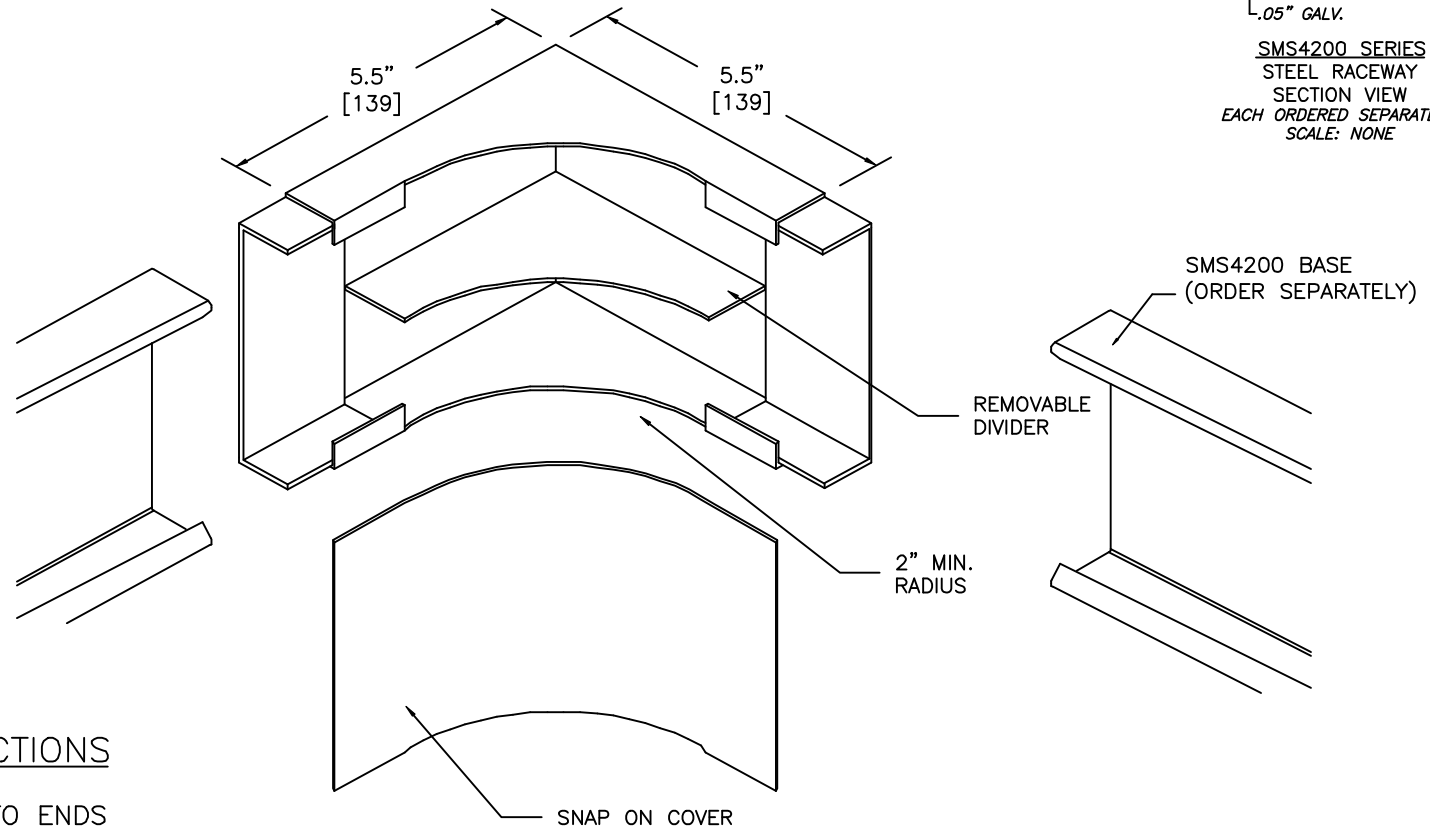
SnapMark™
SMS4200 Series

90° INTERNAL ELBOW w/ 2" RADIUS – (SMS4214FO)

AVAILABLE IN STANDARD GRAY OR IVORY
(ADD "-I" SUFFIX TO SPECIFY IVORY)



SMS4200 SERIES
STEEL RACEWAY
SECTION VIEW
EACH ORDERED SEPARATELY
SCALE: NONE



ASSEMBLY INSTRUCTIONS

1. SLIDE SMS4214FO INTO ENDS OF SMS4200 BASE SECTIONS.
2. SECURE ELBOW TO BASE SECTIONS PROVIDED HARDWARE.
3. SECURE ELBOW TO MOUNTING SURFACE WITH SCREWS SUPPLIED BY OTHERS.
4. SNAP COVER INTO PLACE.

FILENAME: SMS4214FO

www.monosystems.com

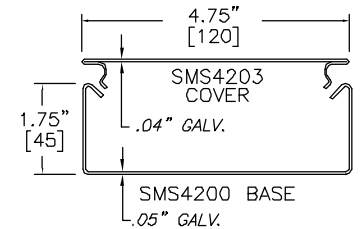


MONO-SYSTEMS, INC.
UNIQUE CABLE DISTRIBUTION SOLUTIONS
4 INTERNATIONAL DRIVE
RYE BROOK, NEW YORK 10573
PHONE: (914)-934-2075
FAX: (914)-934-2190

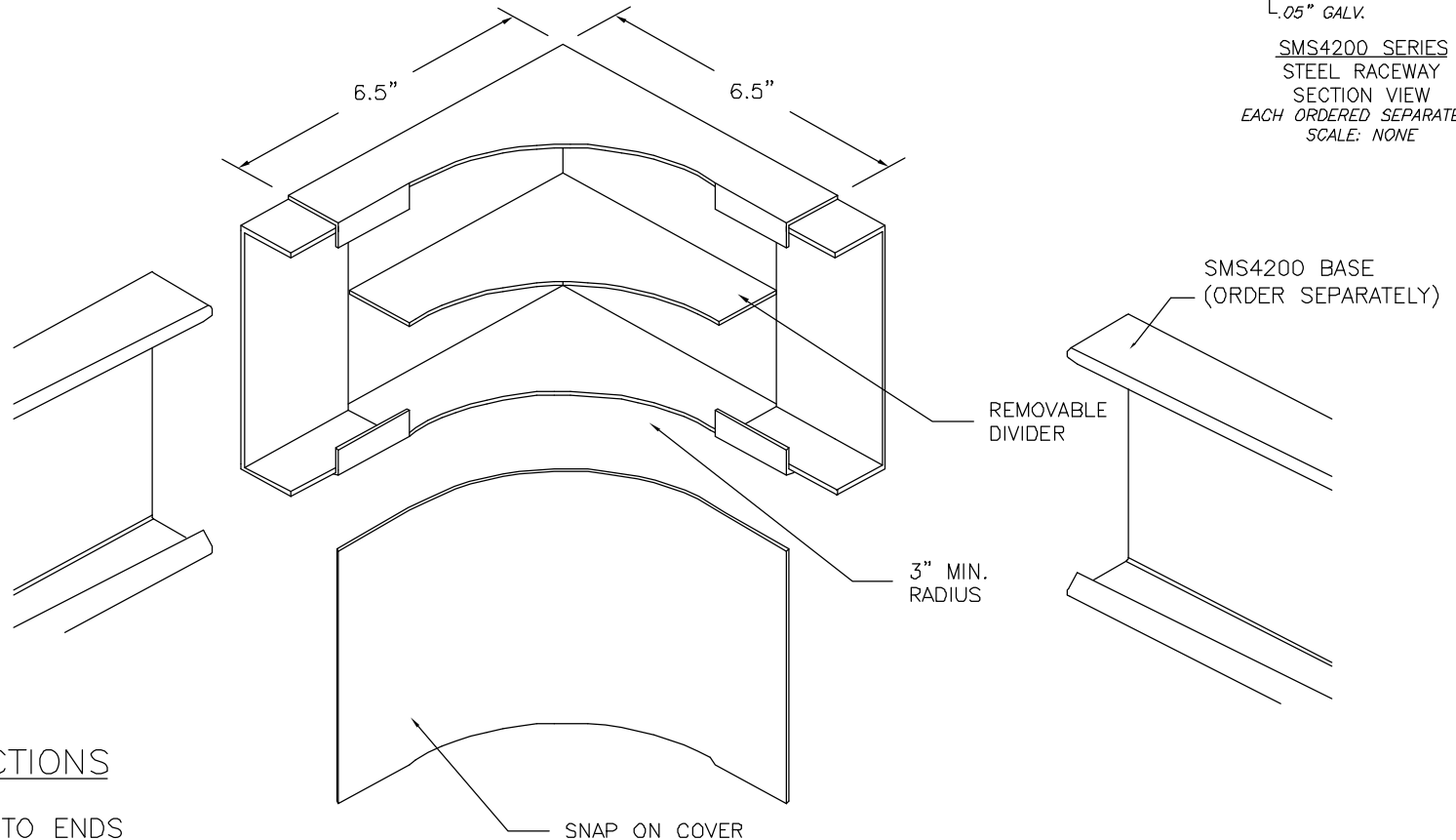
SnapMark™
SMS4200 Series

90° INTERNAL ELBOW w/ 3" RADIUS – (SMS4214FO3)

AVAILABLE IN STANDARD GRAY OR IVORY
(ADD "-I" SUFFIX TO SPECIFY IVORY)



SMS4200 SERIES
STEEL RACEWAY
SECTION VIEW
EACH ORDERED SEPARATELY
SCALE: NONE



ASSEMBLY INSTRUCTIONS

1. SLIDE SMS4214FO3 INTO ENDS OF SMS4200 BASE SECTIONS.
2. SECURE ELBOW TO BASE SECTIONS PROVIDED HARDWARE.
3. SECURE ELBOW TO MOUNTING SURFACE WITH SCREWS SUPPLIED BY OTHERS.
4. SNAP COVER INTO PLACE.

FILENAME: SMS4214FO3

www.monosystems.com

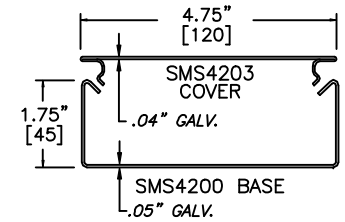


MONO-SYSTEMS, INC.
UNIQUE CABLE DISTRIBUTION SOLUTIONS
4 INTERNATIONAL DRIVE
RYE BROOK, NEW YORK 10573
PHONE: (914)-934-2075
FAX: (914)-934-2190

SnapMark™
SMS4200 Series

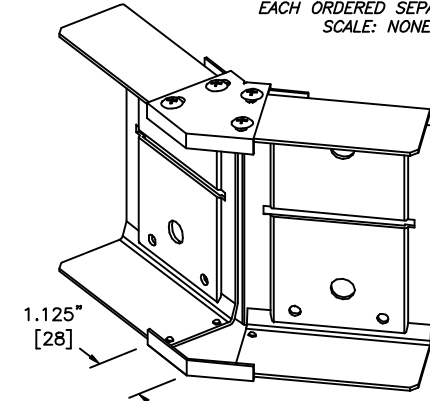
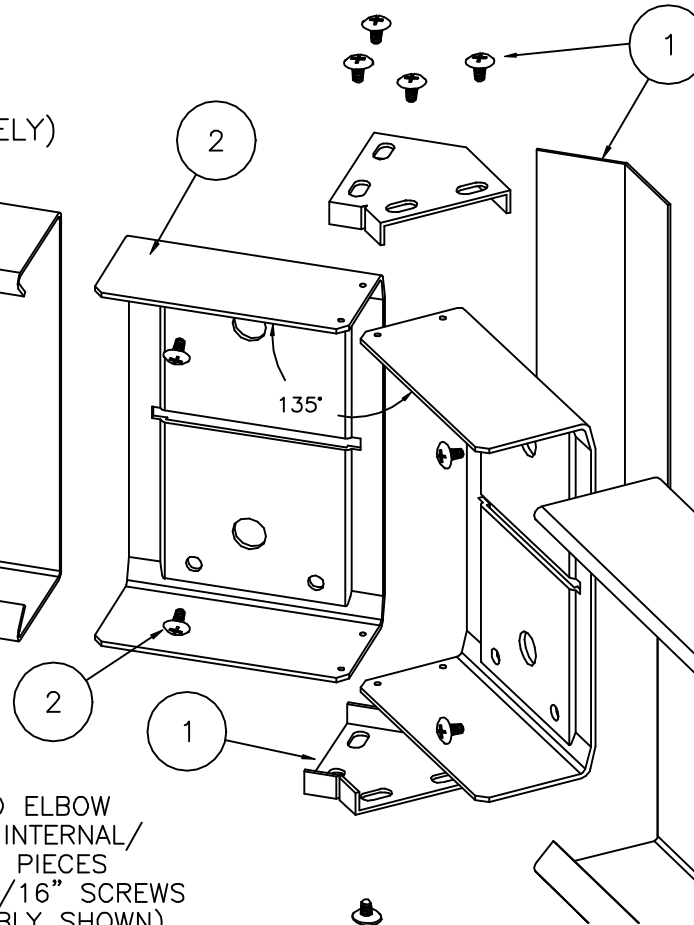
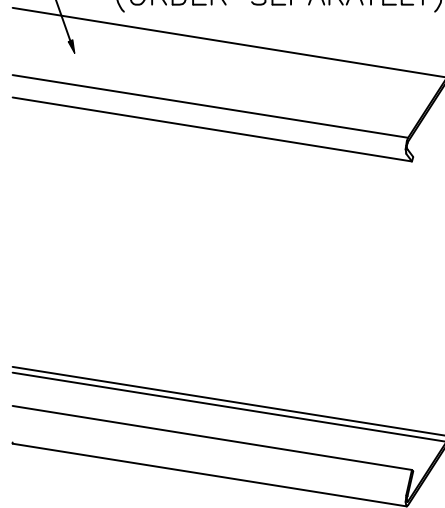
INTERNAL/EXTERNAL 45° ELBOW – (SMS4215)

AVAILABLE IN STANDARD GRAY OR IVORY
(ADD "-I" SUFFIX TO SPECIFY IVORY)



SMS4200 SERIES
STEEL RACEWAY
SECTION VIEW
EACH ORDERED SEPARATELY
SCALE: NONE

SMS4200 BASE
(ORDER SEPARATELY)



EXTERNAL CONFIGURATION

SMS4200 BASE
(ORDER SEPARATELY)

ASSEMBLY INSTRUCTIONS

1. ASSEMBLE BACK ANGLE PLATE AND ELBOW COUPLINGS TOGETHER IN DESIRED INTERNAL/EXTERNAL CONFIGURATION. SECURE PIECES TOGETHER USING EIGHT 8-32 X 3/16" SCREWS AND END CLIPS. (INTERNAL ASSEMBLY SHOWN)
2. INSERT ASSEMBLED 45 ELBOW INTO DESIRED ENDS OF SMS4200 BASE SECTION. SECURE TO RACEWAY USING FOUR 8-32 X 3/16" PAN HEAD SCREWS.

FILENAME: SMS4215

www.monosystems.com

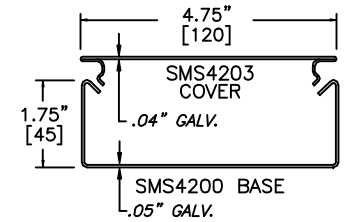


MONO-SYSTEMS, INC.
UNIQUE CABLE DISTRIBUTION SOLUTIONS
4 INTERNATIONAL DRIVE
RYE BROOK, NEW YORK 10573
PHONE: (914)-934-2075
FAX: (914)-934-2190

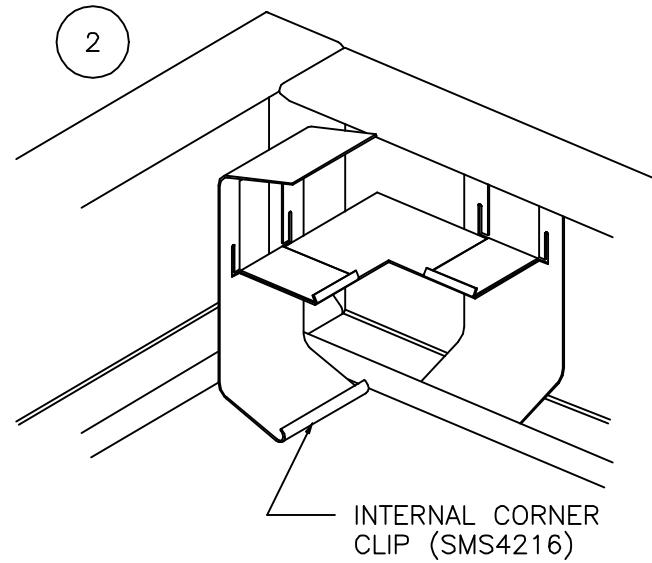
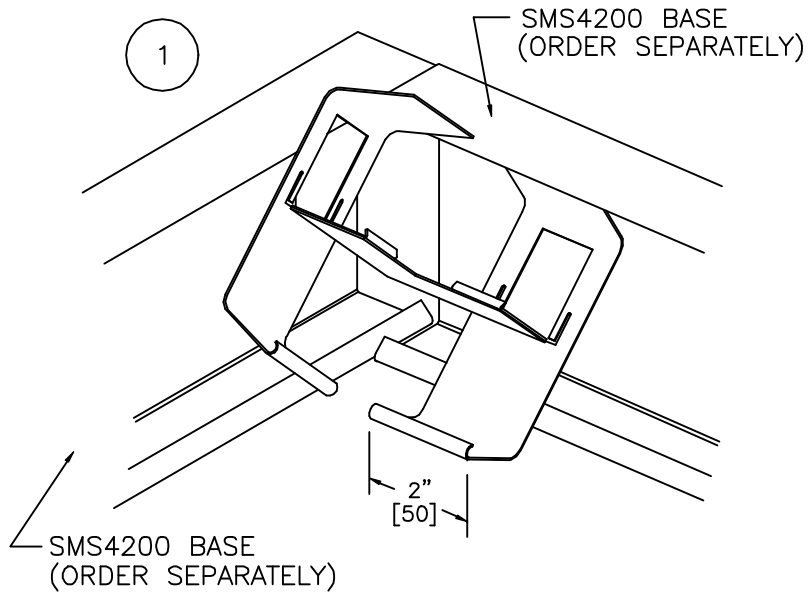
SnapMark™
SMS4200 Series

INTERNAL CORNER CLIP — (SMS4216)

GALVANIZED STEEL — UNPAINTED

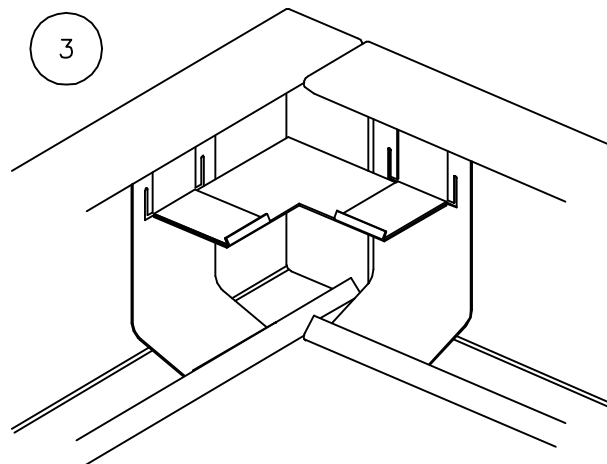


SMS4200 SERIES
STEEL RACEWAY
SECTION VIEW
EACH ORDERED SEPARATELY
SCALE: NONE



ASSEMBLY INSTRUCTIONS

1. INSERT UNBENT EDGE OF ONE SIDE OF CORNER CLIP UNDER LIP OF CORRESPONDING SMS4200 BASE SECTION.
2. FIRMLY PRESS CLIP INTO PLACE ENSURING THAT BOTH TOP & BOTTOM ARE COMPLETELY UNDER LIPS OF BASE SECTION.
3. USING EVEN PRESSURE, SLIDE CORNER CLIP SUCH THAT OTHER SIDE SNAPS COMPLETELY INTO OPPOSITE BASE SECTION.



MONO-SYSTEMS, INC.
UNIQUE CABLE DISTRIBUTION SOLUTIONS
4 INTERNATIONAL DRIVE
RYE BROOK, NEW YORK 10573
PHONE: (914)-934-2075
FAX: (914)-934-2190

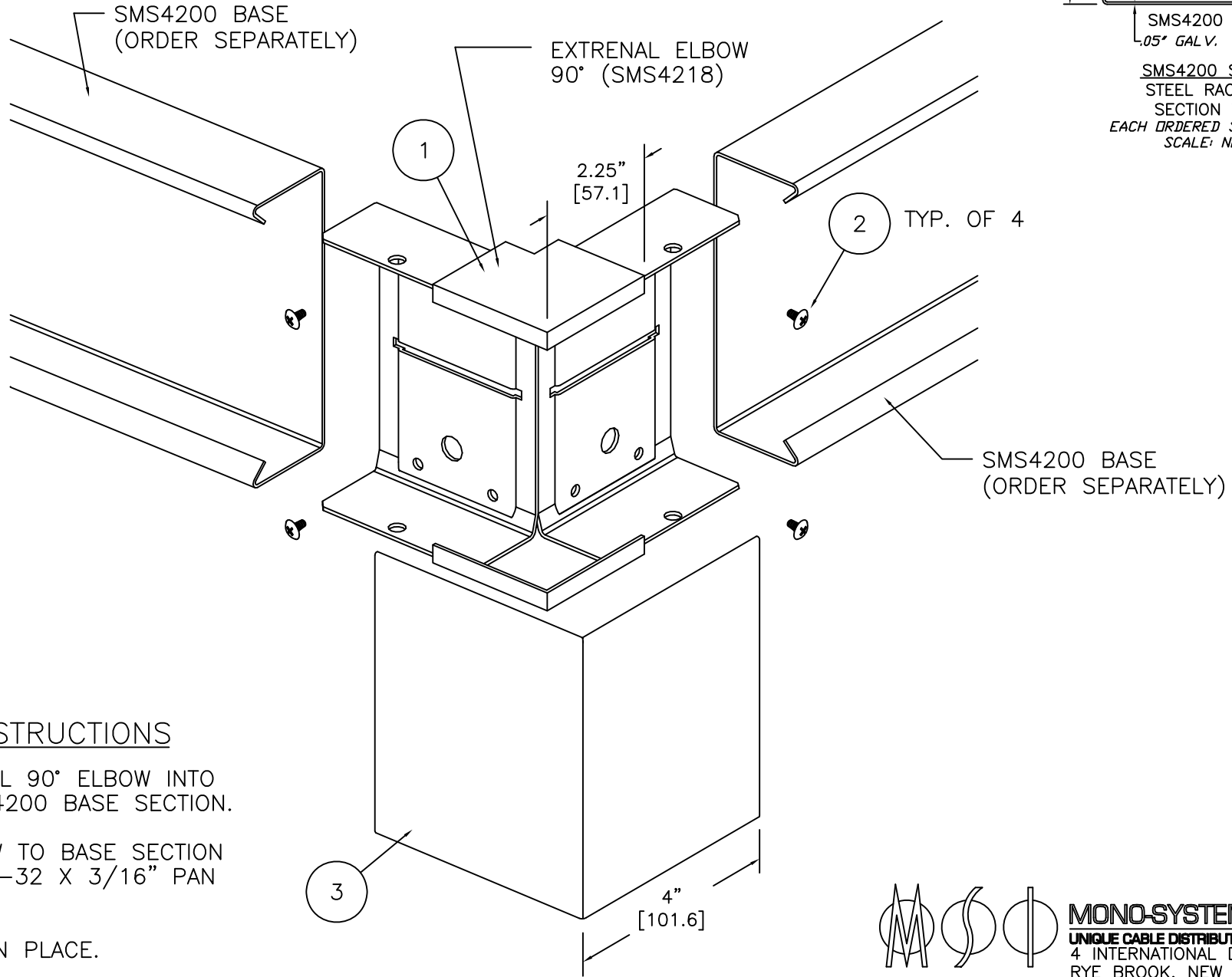
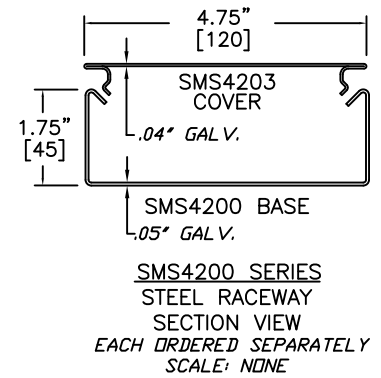
FILENAME: SMS4216

www.monosystems.com

SnapMark™
SMS4200 Series

EXTERNAL 90° ELBOW — (SMS4218)

AVAILABLE IN STANDARD GRAY OR IVORY
(ADD "-I" SUFFIX TO SPECIFY IVORY)



ASSEMBLY INSTRUCTIONS

1. SLIDE EXTERNAL 90° ELBOW INTO ENDS OF SMS4200 BASE SECTION.
2. SECURE ELBOW TO BASE SECTION USING FOUR 8-32 X 3/16" PAN HEAD SCREWS.
3. SNAP COVER IN PLACE.

FILENAME: SMS4218

www.monosystems.com

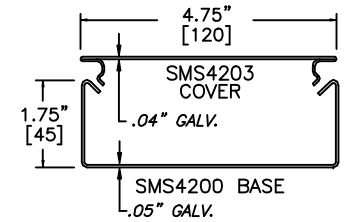


MONO-SYSTEMS, INC.
UNIQUE CABLE DISTRIBUTION SOLUTIONS
4 INTERNATIONAL DRIVE
RYE BROOK, NEW YORK 10573
PHONE: (914)-934-2075
FAX: (914)-934-2190

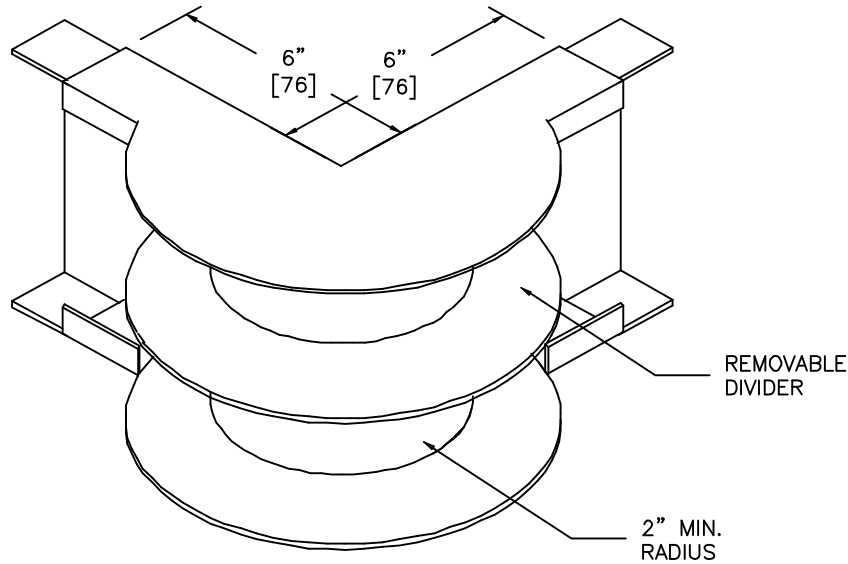
SnapMark™
SMS4200 Series

EXTERNAL ELBOW w/ 2" RADIUS – (SMS4218FO)

AVAILABLE IN STANDARD GRAY OR IVORY
(ADD "-I" SUFFIX TO SPECIFY IVORY)

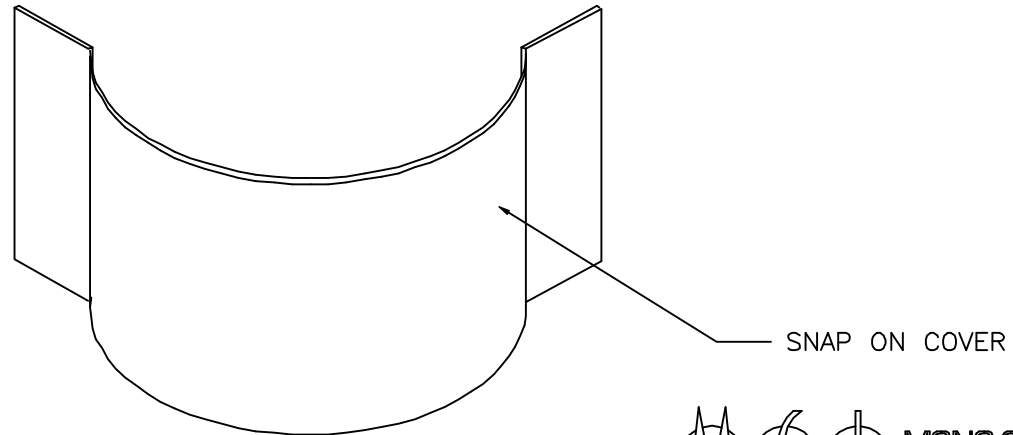


SMS4200 SERIES
STEEL RACEWAY
SECTION VIEW
EACH ORDERED SEPARATELY
SCALE: NONE



ASSEMBLY INSTRUCTIONS

1. SLIDE SMS4218FO INTO ENDS OF SMS4200 BASE SECTIONS.
2. SECURE ELBOW TO BASE SECTIONS USING PROVIDED HARDWARE.
3. SECURE ELBOW TO MOUNTING SURFACE WITH SCREWS SUPPLIED BY OTHERS.
4. SNAP COVER INTO PLACE.



FILENAME: SMS4218FO

www.monosystems.com

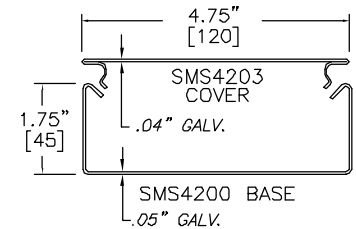


MONO-SYSTEMS, INC.
UNIQUE CABLE DISTRIBUTION SOLUTIONS
4 INTERNATIONAL DRIVE
RYE BROOK, NEW YORK 10573
PHONE: (914)-934-2075
FAX: (914)-934-2190

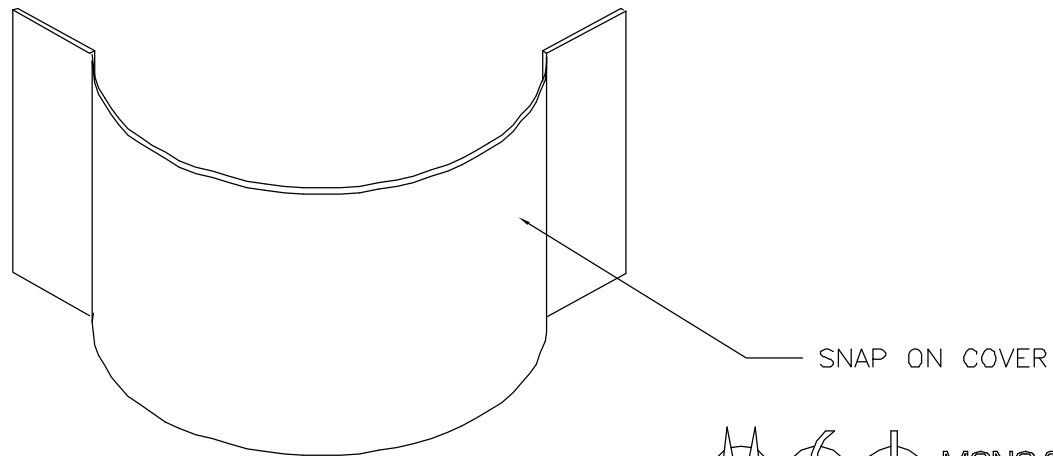
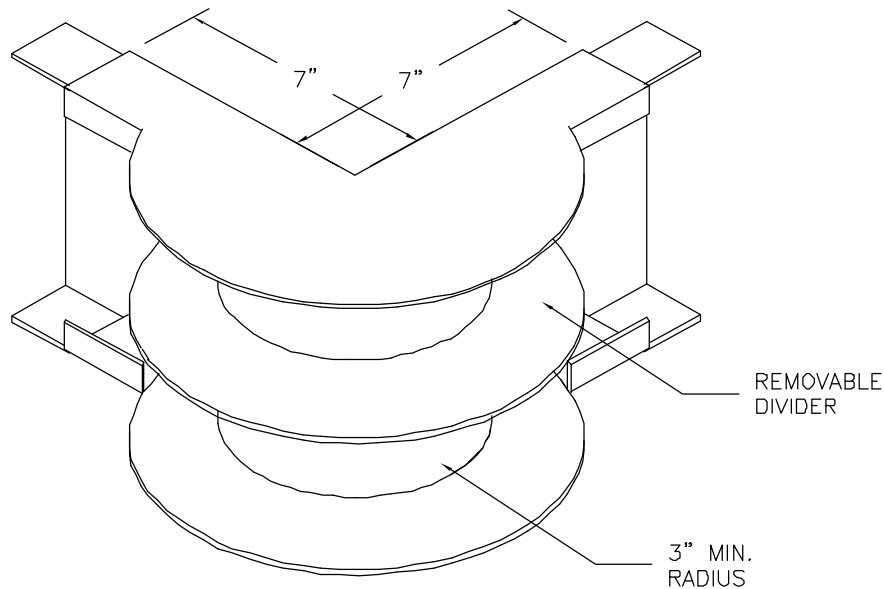
SnapMark™
SMS4200 Series

EXTERNAL ELBOW w/ 3" RADIUS – (SMS4218FO3)

AVAILABLE IN STANDARD GRAY OR IVORY
(ADD "-I" SUFFIX TO SPECIFY IVORY)



SMS4200 SERIES
STEEL RACEWAY
SECTION VIEW
EACH ORDERED SEPARATELY
SCALE: NONE



ASSEMBLY INSTRUCTIONS

1. SLIDE SMS4218FO3 INTO ENDS OF SMS4200 BASE SECTIONS.
2. SECURE ELBOW TO BASE SECTIONS USING PROVIDED HARDWARE.
3. SECURE ELBOW TO MOUNTING SURFACE WITH SCREWS SUPPLIED BY OTHERS.
4. SNAP COVER INTO PLACE.

FILENAME: SMS4218FO3

www.monosystems.com



MONO-SYSTEMS, INC.
UNIQUE CABLE DISTRIBUTION SOLUTIONS
4 INTERNATIONAL DRIVE
RYE BROOK, NEW YORK 10573
PHONE: (914)-934-2075
FAX: (914)-934-2190

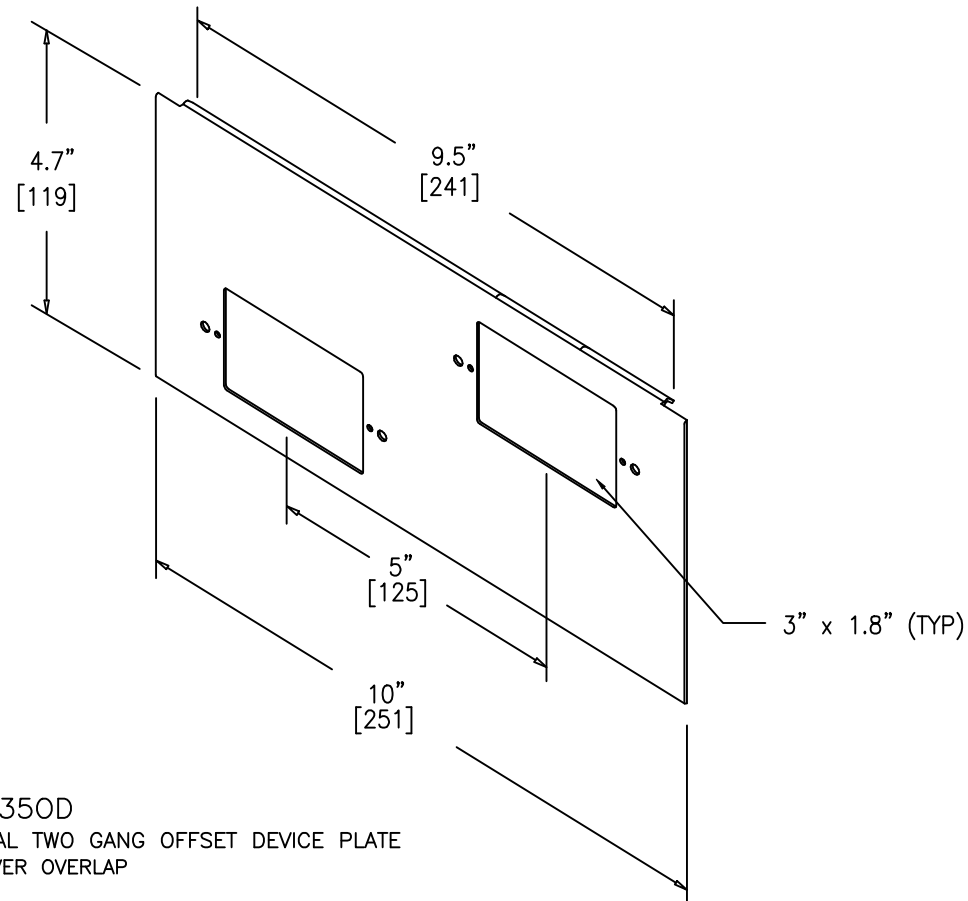
Mono-Systems, Inc.
SnapMark (tm)
SMS4200 / SMS4400 Series

SMS42350D UNIVERSAL TWO GANG OFFSET DEVICE PLATE

FOR USE WITH SMS4200
AND SMS4400 SERIES RACEWAYS

PATENTED
SCALE: NONE

AVAILABLE IN STANDARD GRAY OR IVORY
(ADD "-I" SUFFIX TO SPECIFY IVORY)



SMS42350D
UNIVERSAL TWO GANG OFFSET DEVICE PLATE
WITH COVER OVERLAP

USE WITH FLUSH PLATES BY OTHERS.

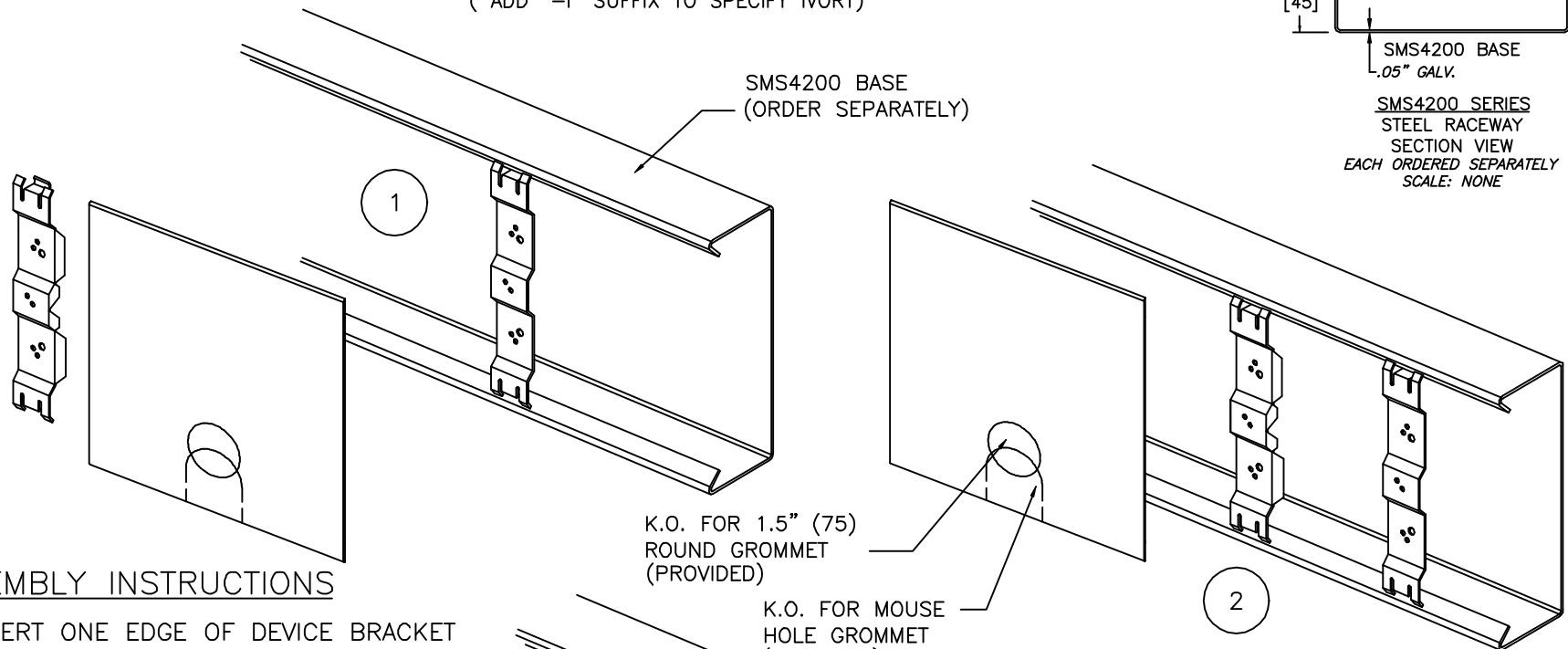
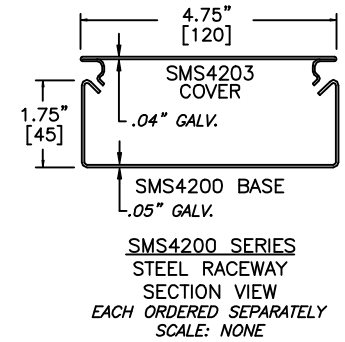


MONO-SYSTEMS, INC.
UNIQUE CABLE DISTRIBUTION SOLUTIONS
4 INTERNATIONAL DRIVE
RYE BROOK, NEW YORK 10573
PHONE: (914)-934-2075
FAX: (914)-934-2190

SnapMark™
SMS4200 Series

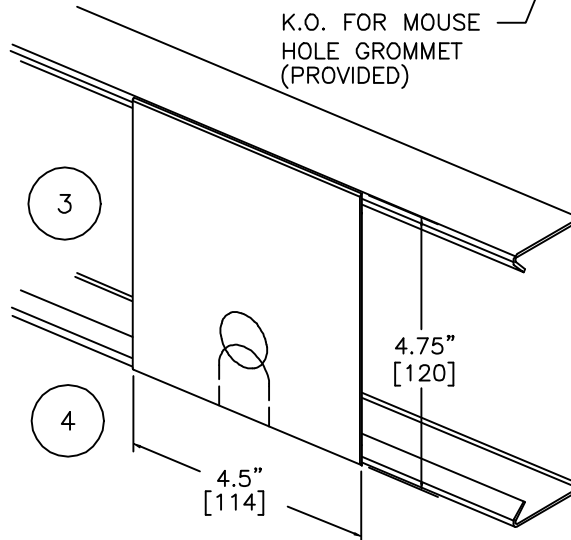
TELEPHONE PLATE (SMS4243)

AVAILABLE IN STANDARD GRAY OR IVORY
(ADD "-I" SUFFIX TO SPECIFY IVORY)



ASSEMBLY INSTRUCTIONS

1. INSERT ONE EDGE OF DEVICE BRACKET OVER LIP OF SMS4200 BASE SECTION IN APPROXIMATED AREA FOR DEVICE COVER. GENTLY SEAT OPPOSITE END OF DEVICE BRACKET USING A SLOT HEAD SCREWDRIVER. ENSURE THAT BOTH SIDES OF BRACKET ARE CORRECTLY SECURED TO BASE.
2. DETERMINE APPROXIMATE DISTANCE FOR SECOND DEVICE BRACKET, AND AFFIX TO BASE IN A SIMILAR FASHION.
3. TERMINATE WIRING PER LOCAL CODES.
4. AFTER DEVICE(S) ARE SECURED PROPERLY TO BRACKET (NOT SHOWN), COVER MAY BE SNAPPED OVER DEVICES.



FILENAME: SMS4243

www.monosystems.com

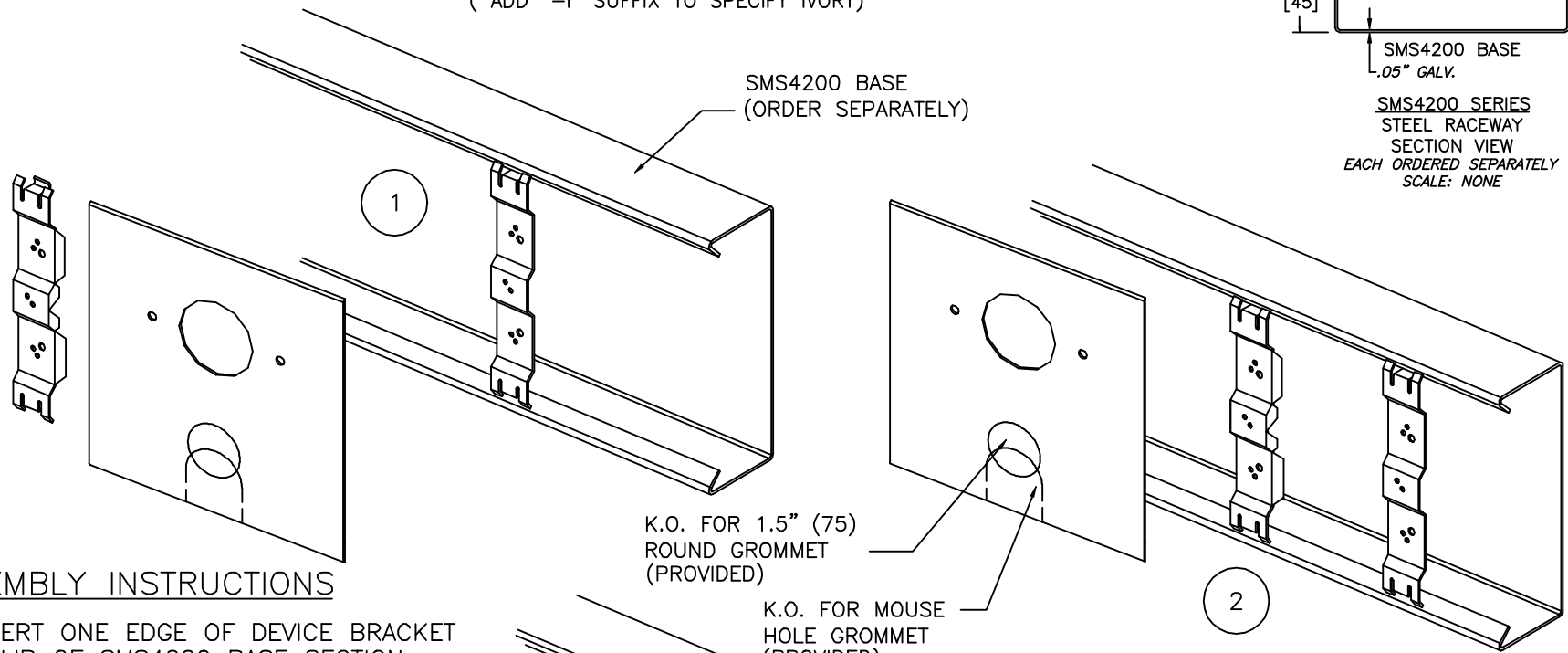
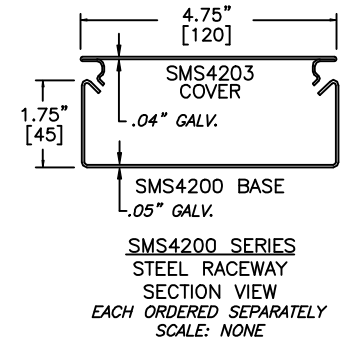


MONO-SYSTEMS, INC.
UNIQUE CABLE DISTRIBUTION SOLUTIONS
4 INTERNATIONAL DRIVE
RYE BROOK, NEW YORK 10573
PHONE: (914)-934-2075
FAX: (914)-934-2190

SnapMark™
SMS4200 Series

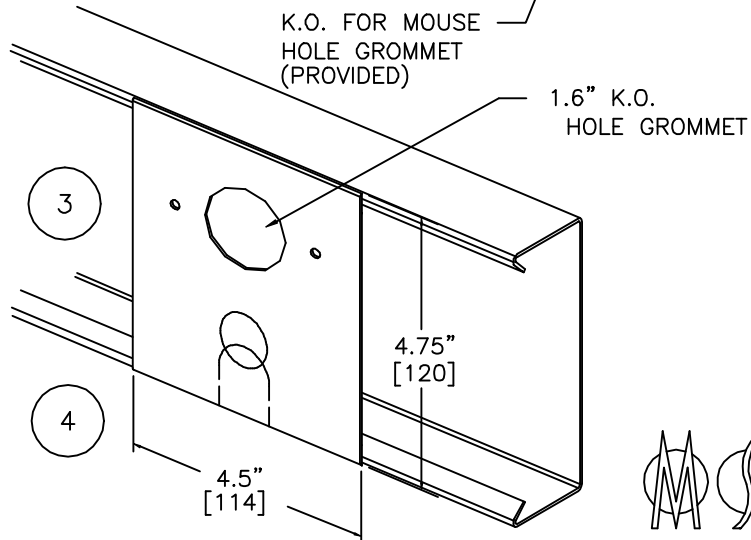
SINGLE OUTLET / TELEPHONE PLATE (SMS4245)

AVAILABLE IN STANDARD GRAY OR IVORY
(ADD "-I" SUFFIX TO SPECIFY IVORY)



ASSEMBLY INSTRUCTIONS

1. INSERT ONE EDGE OF DEVICE BRACKET OVER LIP OF SMS4200 BASE SECTION IN APPROXIMATED AREA FOR DEVICE COVER. GENTLY SEAT OPPOSITE END OF DEVICE BRACKET USING A SLOT HEAD SCREWDRIVER. ENSURE THAT BOTH SIDES OF BRACKET ARE CORRECTLY SECURED TO BASE.
2. DETERMINE APPROXIMATE DISTANCE FOR SECOND DEVICE BRACKET, AND AFFIX TO BASE IN A SIMILAR FASHION.
3. TERMINATE WIRING PER LOCAL CODES.
4. AFTER DEVICE(S) ARE SECURED PROPERLY TO BRACKET (NOT SHOWN), COVER MAY BE SNAPPED OVER DEVICES.



FILENAME: SMS4245

www.monosystems.com

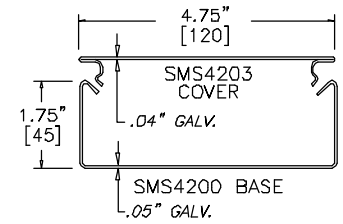


MONO-SYSTEMS, INC.
UNIQUE CABLE DISTRIBUTION SOLUTIONS
4 INTERNATIONAL DRIVE
RYE BROOK, NEW YORK 10573
PHONE: (914)-934-2075
FAX: (914)-934-2190

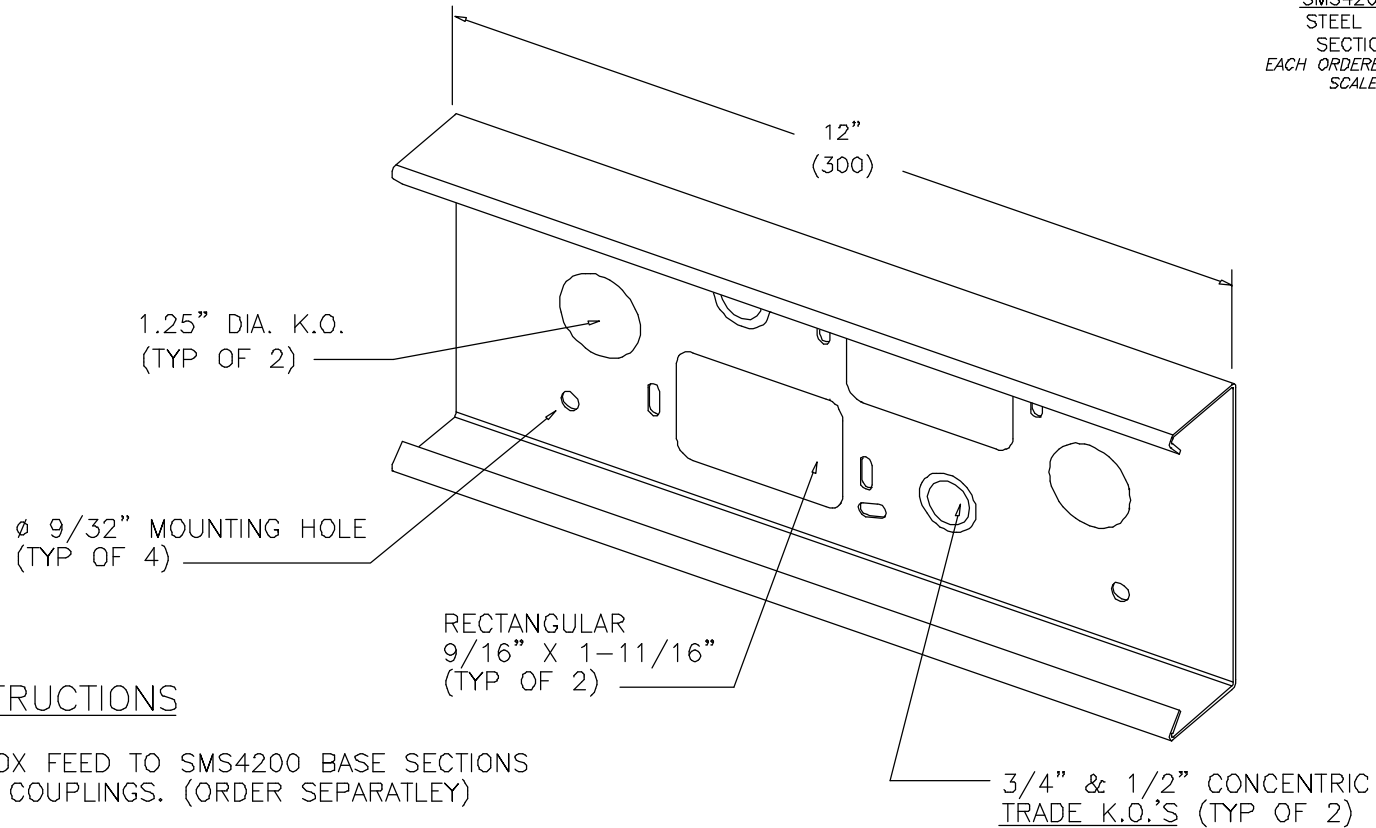
SnapMark™
SMS4200 Series

WALL BOX FEED – (SMS4230)

AVAILABLE IN STANDARD GRAY OR IVORY
(ADD "-I" SUFFIX TO SPECIFY IVORY)



SMS4200 SERIES
STEEL RACEWAY
SECTION VIEW
EACH ORDERED SEPARATELY
SCALE: NONE



ASSEMBLY INSTRUCTIONS

1. SECURE WALL BOX FEED TO SMS4200 BASE SECTIONS USING SMS4202 COUPLINGS. (ORDER SEPARATELY)
2. SECURE CONDUIT COUPLING AND OR WALL BOX (BY OTHERS) THROUGH DESIRED KNOCK OUT.
2. SECURE WALL BOX FEED (SMS4230) TO MOUNTING SURFACE THROUGH $\phi 9/32$ " MOUNTING HOLES. (MOUNTING HARDWARE BY OTHERS)
4. TERMINATE AND ENCLOSE ALL WIRING PER NEC AND LOCAL CODES.

ORDER SPLICE CONNECTORS SEPARATELY
P/N: SMS4202 – 2 REQUIRED

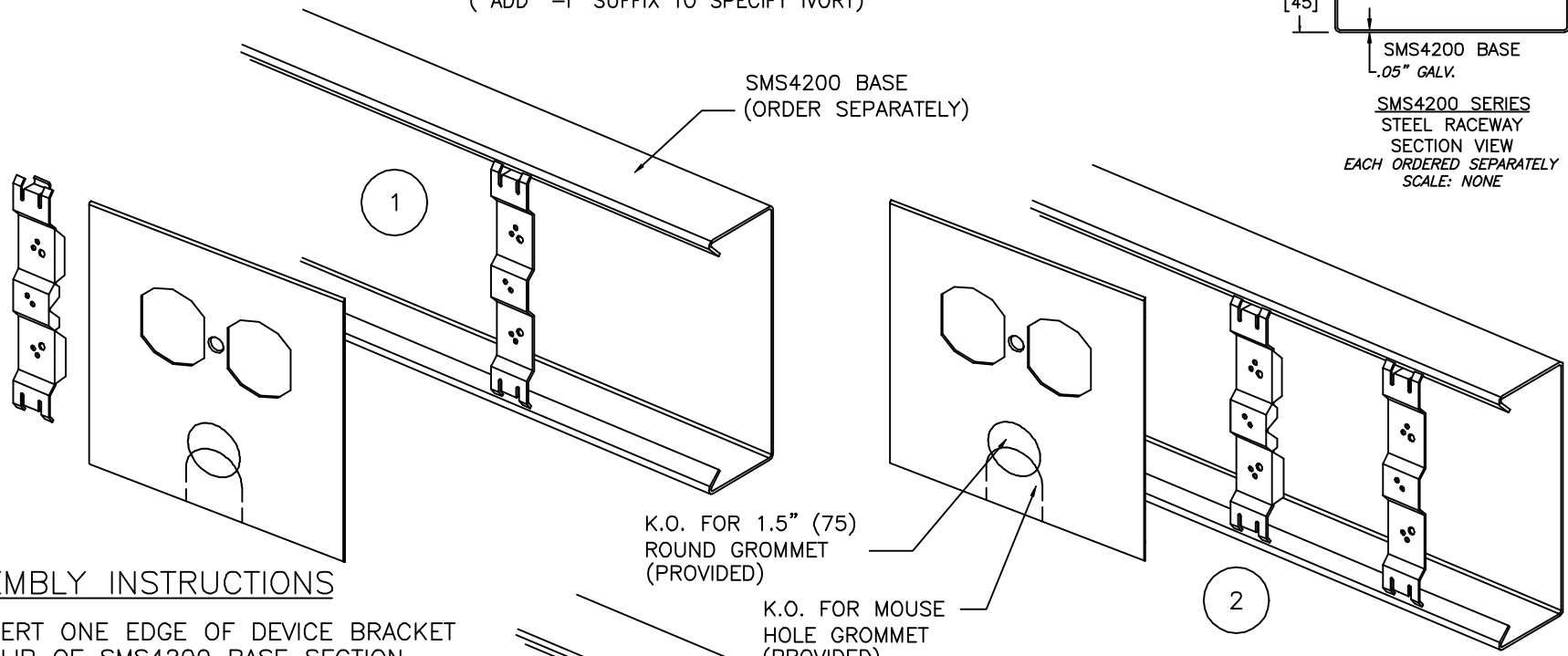
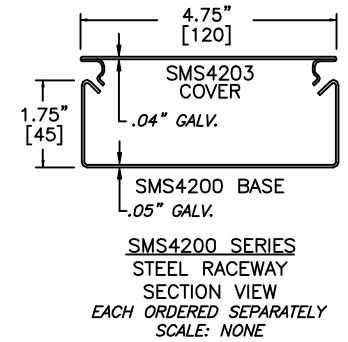


MONO-SYSTEMS, INC.
UNIQUE CABLE DISTRIBUTION SOLUTIONS
4 INTERNATIONAL DRIVE
RYE BROOK, NEW YORK 10573
PHONE: (914)-934-2075
FAX: (914)-934-2190

SnapMark™
SMS4200 Series

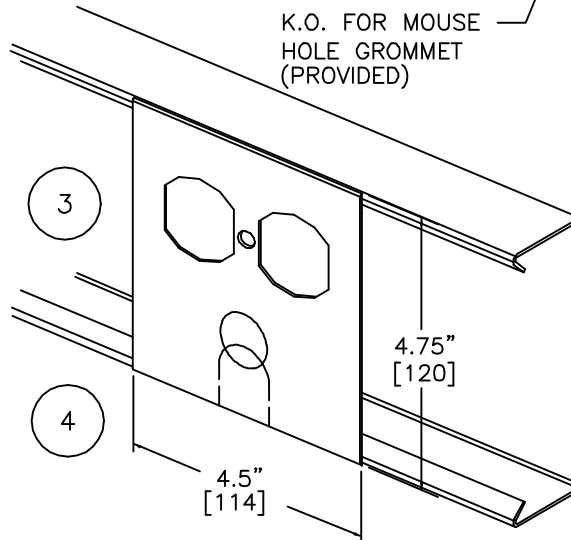
DUPLEX / TELEPHONE PLATE (SMS4246)

AVAILABLE IN STANDARD GRAY OR IVORY
(ADD "-I" SUFFIX TO SPECIFY IVORY)



ASSEMBLY INSTRUCTIONS

1. INSERT ONE EDGE OF DEVICE BRACKET OVER LIP OF SMS4200 BASE SECTION IN APPROXIMATED AREA FOR DEVICE COVER. GENTLY SEAT OPPOSITE END OF DEVICE BRACKET USING A SLOT HEAD SCREWDRIVER. ENSURE THAT BOTH SIDES OF BRACKET ARE CORRECTLY SECURED TO BASE.
2. DETERMINE APPROXIMATE DISTANCE FOR SECOND DEVICE BRACKET, AND AFFIX TO BASE IN A SIMILAR FASHION.
3. TERMINATE WIRING PER LOCAL CODES.
4. AFTER DEVICE(S) ARE SECURED PROPERLY TO BRACKET (NOT SHOWN), COVER MAY BE SNAPPED OVER DEVICES.



FILENAME: SMS4246

www.monosystems.com

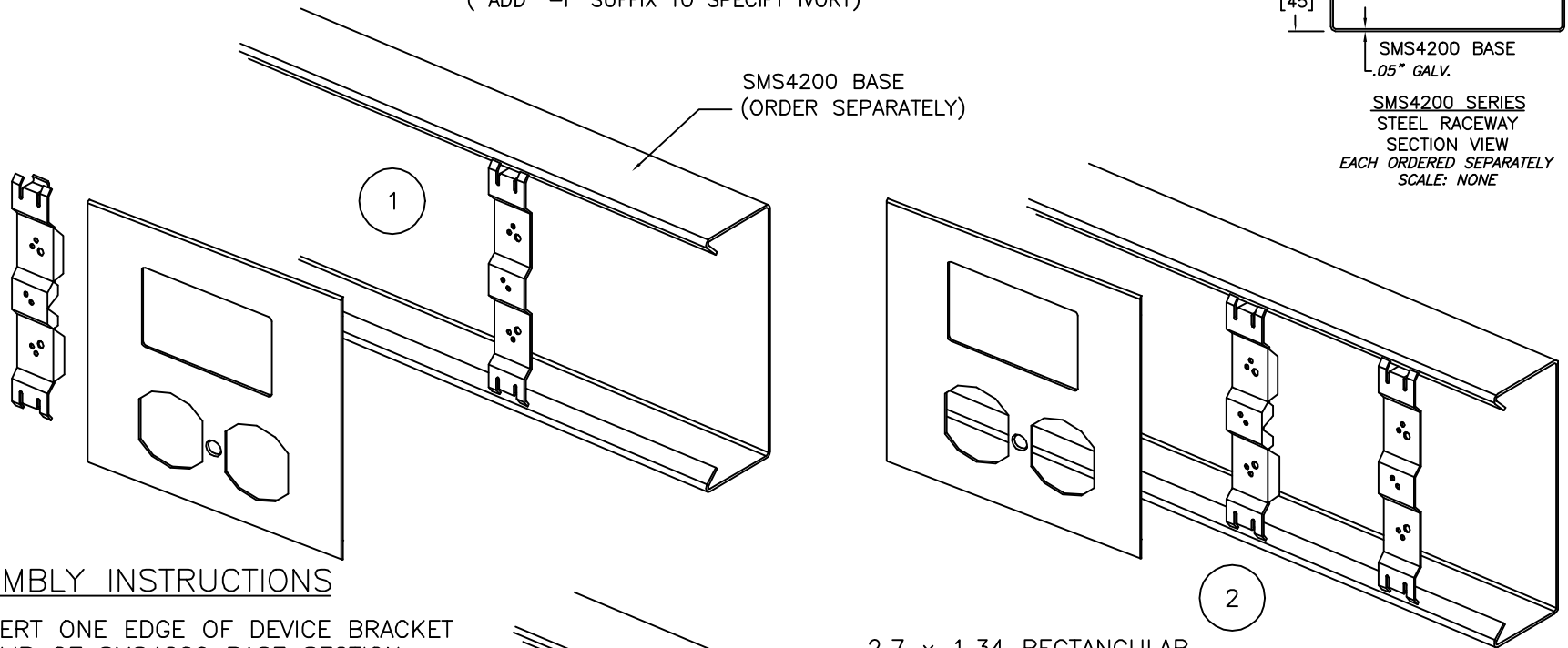
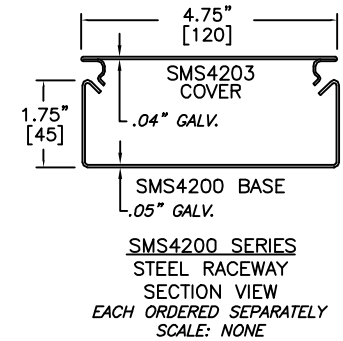


MONO-SYSTEMS, INC.
UNIQUE CABLE DISTRIBUTION SOLUTIONS
4 INTERNATIONAL DRIVE
RYE BROOK, NEW YORK 10573
PHONE: (914)-934-2075
FAX: (914)-934-2190

SnapMark™
SMS4200 Series

DUPLEX / DATA PLATE (SMS4248)

AVAILABLE IN STANDARD GRAY OR IVORY
(ADD "-I" SUFFIX TO SPECIFY IVORY)



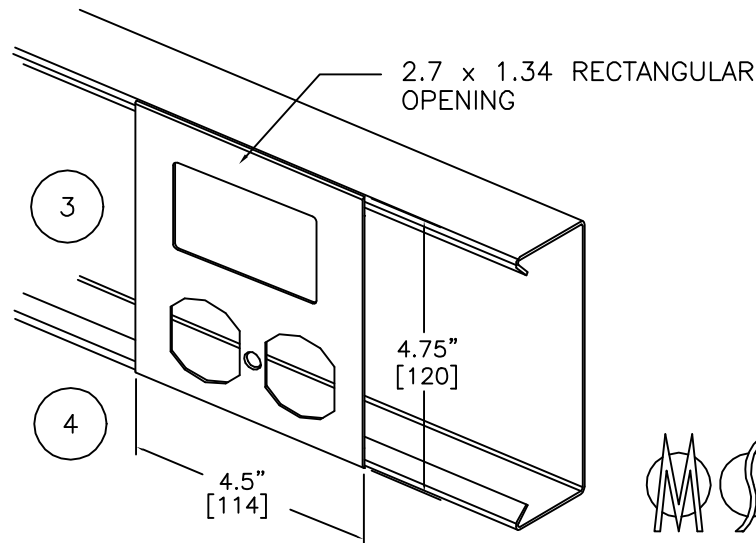
ASSEMBLY INSTRUCTIONS

1. INSERT ONE EDGE OF DEVICE BRACKET OVER LIP OF SMS4200 BASE SECTION IN APPROXIMATED AREA FOR DEVICE COVER. GENTLY SEAT OPPOSITE END OF DEVICE BRACKET USING A SLOT HEAD SCREWDRIVER. ENSURE THAT BOTH SIDES OF BRACKET ARE CORRECTLY SECURED TO BASE.

2. DETERMINE APPROXIMATE DISTANCE FOR SECOND DEVICE BRACKET, AND AFFIX TO BASE IN A SIMILAR FASHION.

3. TERMINATE WIRING PER LOCAL CODES.

4. AFTER DEVICE(S) ARE SECURED PROPERLY TO BRACKET (NOT SHOWN), COVER MAY BE SNAPPED OVER DEVICES.



MONO-SYSTEMS, INC.
UNIQUE CABLE DISTRIBUTION SOLUTIONS
4 INTERNATIONAL DRIVE
RYE BROOK, NEW YORK 10573
PHONE: (914)-934-2075
FAX: (914)-934-2190

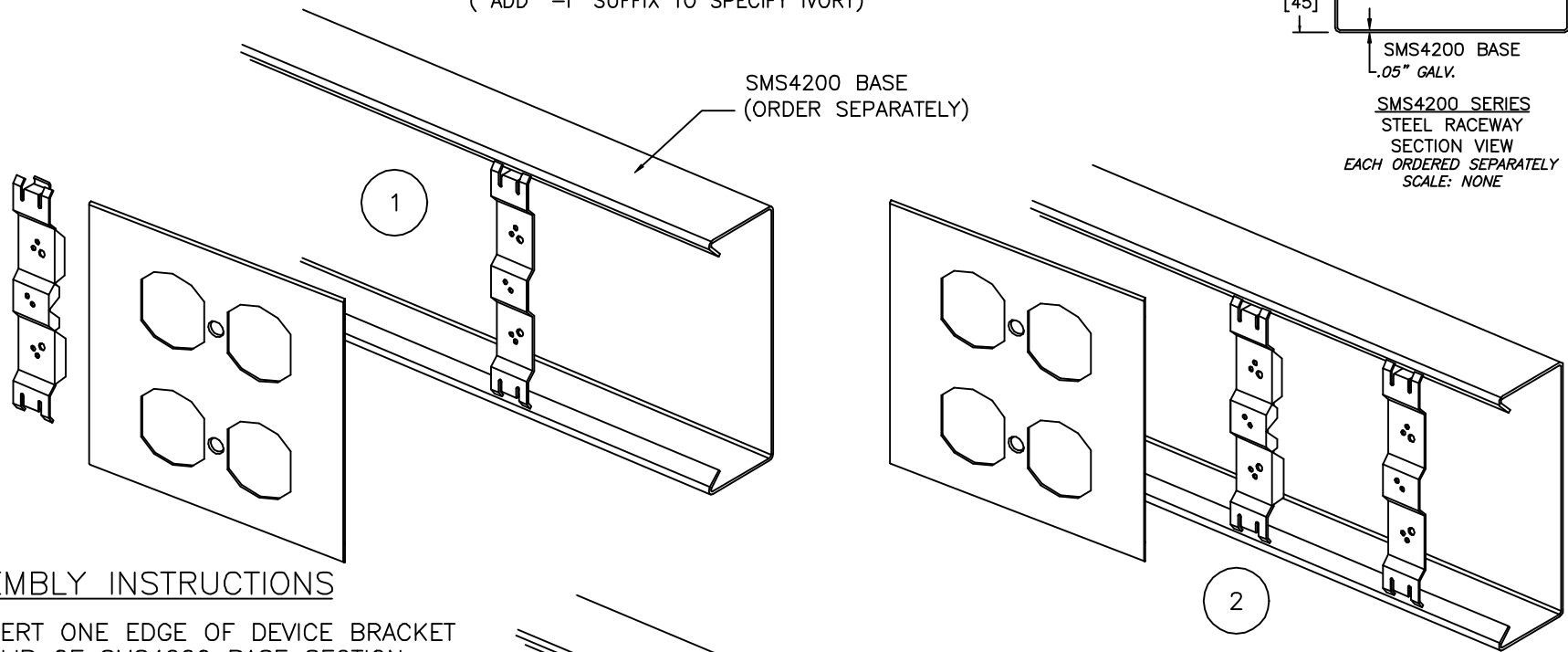
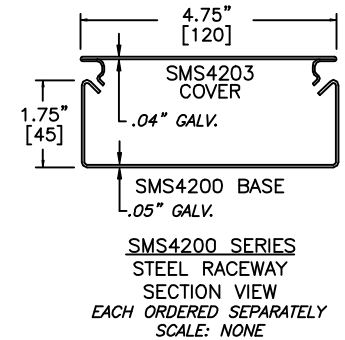
FILENAME: SMS4248

www.monosystems.com

SnapMark™
SMS4200 Series

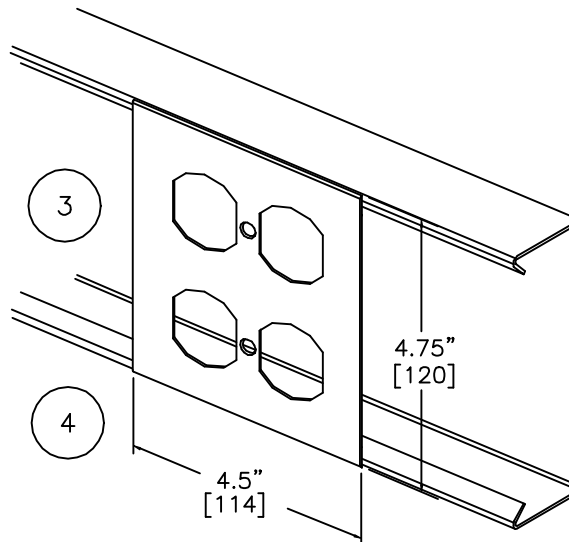
TWO GANG DUPLEX PLATE (SMS4249)

AVAILABLE IN STANDARD GRAY OR IVORY
(ADD "-I" SUFFIX TO SPECIFY IVORY)



ASSEMBLY INSTRUCTIONS

1. INSERT ONE EDGE OF DEVICE BRACKET OVER LIP OF SMS4200 BASE SECTION IN APPROXIMATED AREA FOR DEVICE COVER. GENTLY SEAT OPPOSITE END OF DEVICE BRACKET USING A SLOT HEAD SCREWDRIVER. ENSURE THAT BOTH SIDES OF BRACKET ARE CORRECTLY SECURED TO BASE.
2. DETERMINE APPROXIMATE DISTANCE FOR SECOND DEVICE BRACKET, AND AFFIX TO BASE IN A SIMILAR FASHION.
3. TERMINATE WIRING PER LOCAL CODES.
4. AFTER DEVICE(S) ARE SECURED PROPERLY TO BRACKET (NOT SHOWN), COVER MAY BE SNAPPED OVER DEVICES.



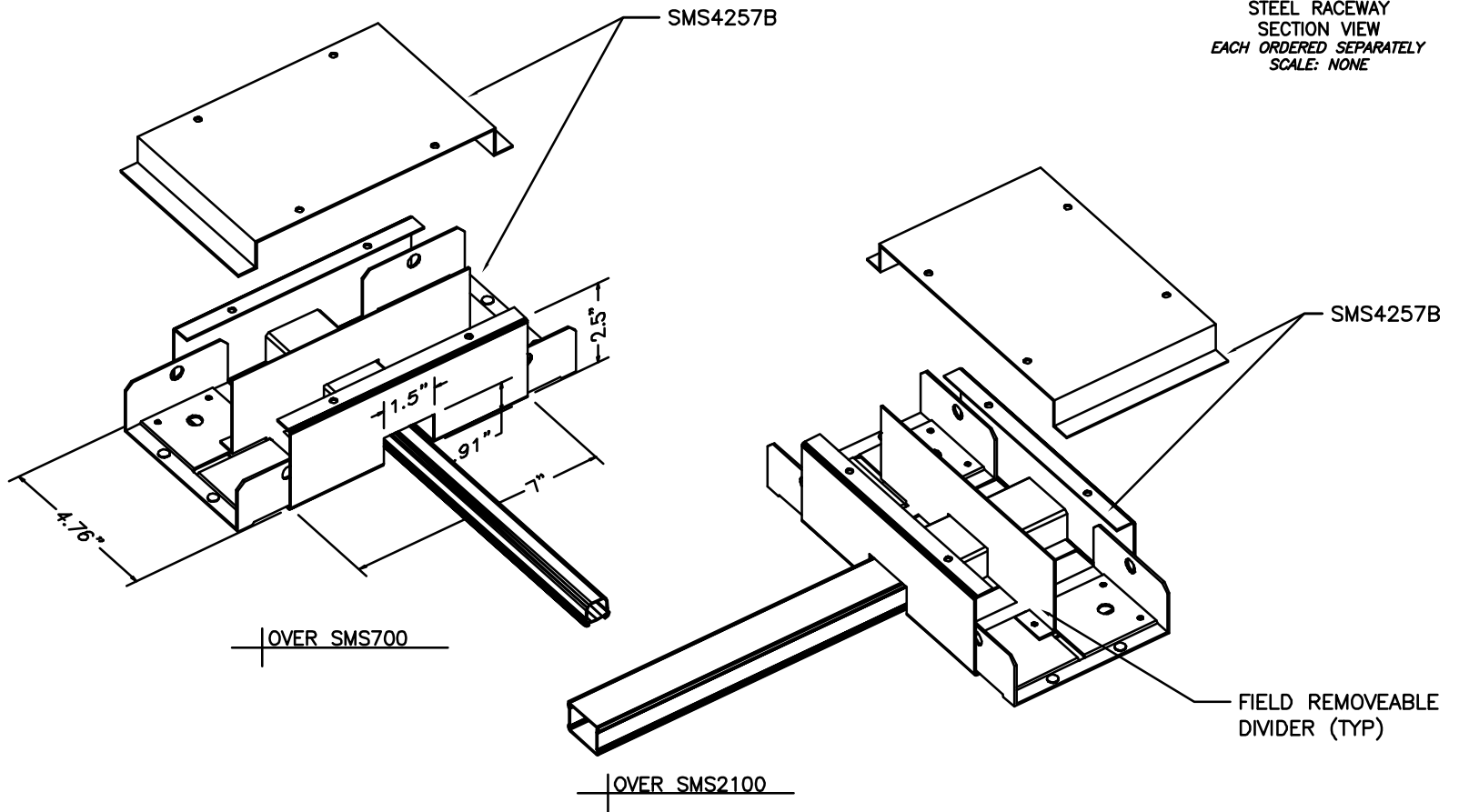
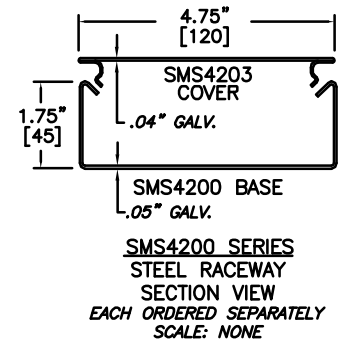
MONO-SYSTEMS, INC.
UNIQUE CABLE DISTRIBUTION SOLUTIONS
4 INTERNATIONAL DRIVE
RYE BROOK, NEW YORK 10573
PHONE: (914)-934-2075
FAX: (914)-934-2190

FILENAME: SMS4249

www.monosystems.com

SnapMark™
SMS4200 Series

M.S.I. P/N: SMS4257B
 SMS4200 SERIES BRIDGE (OVER SMS2100, SMS500 AND SMS700 SERIES)
 AVAILABLE IN STANDARD GRAY OR IVORY – COVER ATTACHMENT HARDWARE PROVIDED
 (ADD "-I" SUFFIX TO SPECIFY IVORY)



SMS500, SMS700 & SMS2100 SERIES RACEWAYS ORDERED SEPARATELY
 PATENT PENDING

FILENAME: SMS4257B

www.monosystems.com

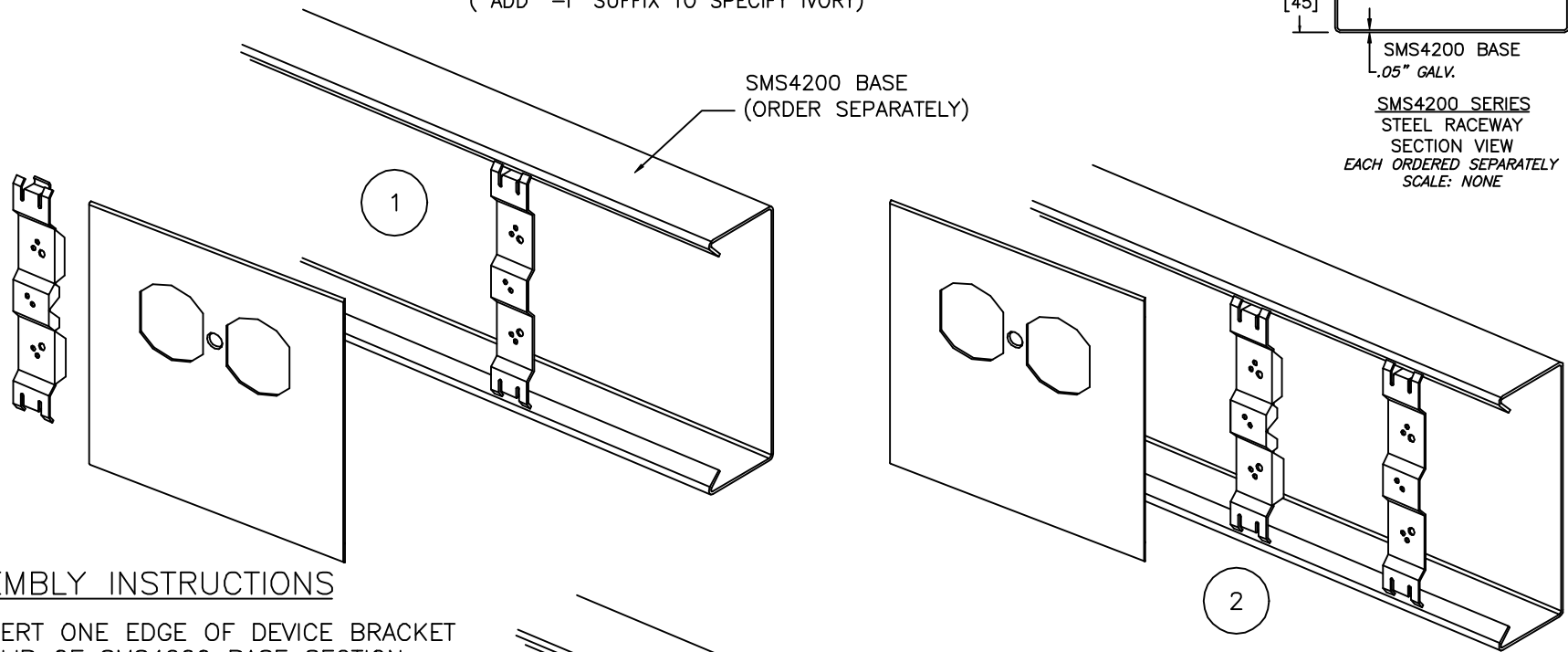
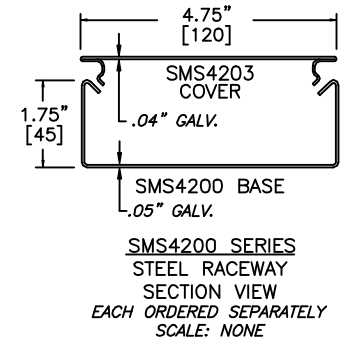


MONO-SYSTEMS, INC.
 UNIQUE CABLE DISTRIBUTION SOLUTIONS
 4 INTERNATIONAL DRIVE
 RYE BROOK, NEW YORK 10573
 PHONE: (914)-934-2075
 FAX: (914)-934-2190

SnapMark™
SMS4200 Series

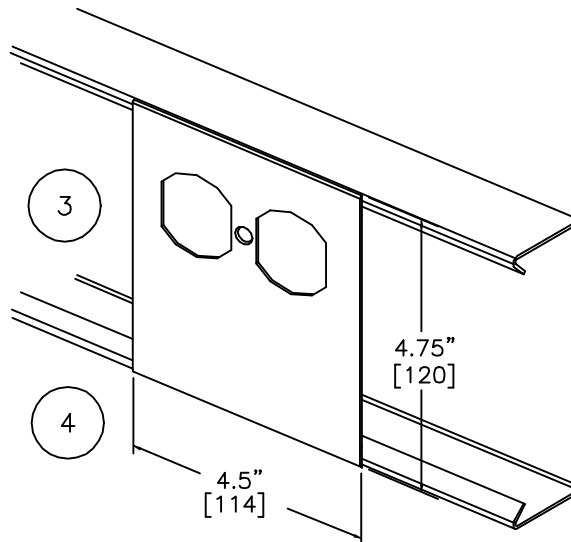
DUPLEX PLATE (SMS4260)

AVAILABLE IN STANDARD GRAY OR IVORY
(ADD "-I" SUFFIX TO SPECIFY IVORY)



ASSEMBLY INSTRUCTIONS

1. INSERT ONE EDGE OF DEVICE BRACKET OVER LIP OF SMS4200 BASE SECTION IN APPROXIMATED AREA FOR DEVICE COVER. GENTLY SEAT OPPOSITE END OF DEVICE BRACKET USING A SLOT HEAD SCREWDRIVER. ENSURE THAT BOTH SIDES OF BRACKET ARE CORRECTLY SECURED TO BASE.
2. DETERMINE APPROXIMATE DISTANCE FOR SECOND DEVICE BRACKET, AND AFFIX TO BASE IN A SIMILAR FASHION.
3. TERMINATE WIRING PER LOCAL CODES.
4. AFTER DEVICE(S) ARE SECURED PROPERLY TO BRACKET (NOT SHOWN), COVER MAY BE SNAPPED OVER DEVICES.



MONO-SYSTEMS, INC.
UNIQUE CABLE DISTRIBUTION SOLUTIONS
4 INTERNATIONAL DRIVE
RYE BROOK, NEW YORK 10573
PHONE: (914)-934-2075
FAX: (914)-934-2190

FILENAME: SMS4260

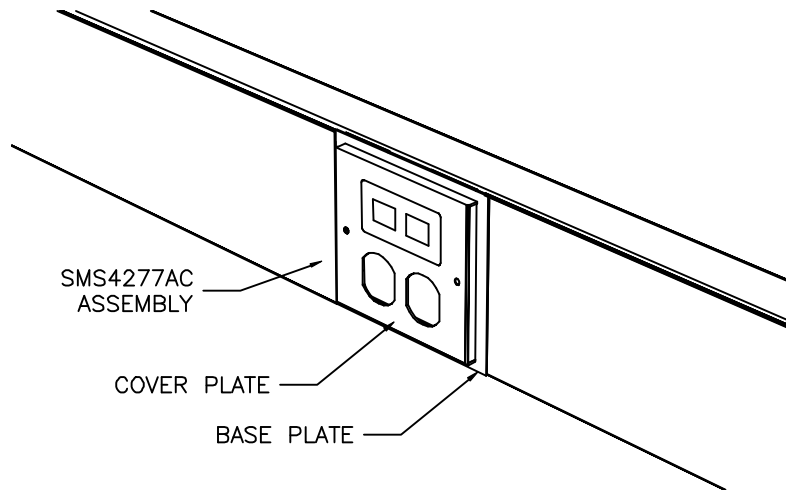
www.monosystems.com

SMS4277 SERIES COVER PLATE OPTIONS

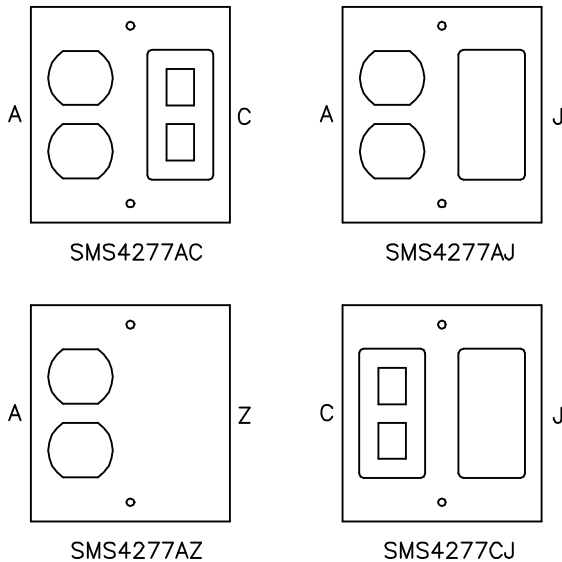
PATENTED

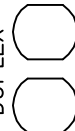


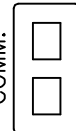






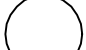
AVAILABLE IN STANDARD GRAY OR IVORY
 (ADD "-I" SUFFIX TO SPECIFY IVORY)

FOR USE WITH SMS4200
 AND SMS4400 SERIES RACEWAYS



STANDARD COVER PLATE OPTIONS



THRU HOLE OPTIONS:		K.O. OPTIONS:	
DUPEX  A	RECTANGULAR  J	RECTANGULAR  B	COMM.  C
DATA  K	DATA (2X)  L	DATA  D	DATA (2X)  E
SP SWITCH  H	BLANK Z	1.4" DIA.  F	1.6" DIA.  G

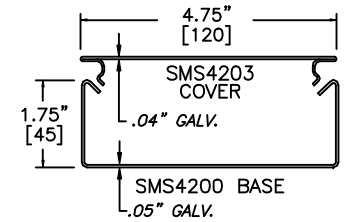


MONO-SYSTEMS, INC.
 UNIQUE CABLE DISTRIBUTION SOLUTIONS
 4 INTERNATIONAL DRIVE
 RYE BROOK, NEW YORK 10573
 PHONE: (914)-934-2075
 FAX: (914)-934-2190

SnapMark™
SMS4200 Series

PANEL CONNECTOR (SMS4286)

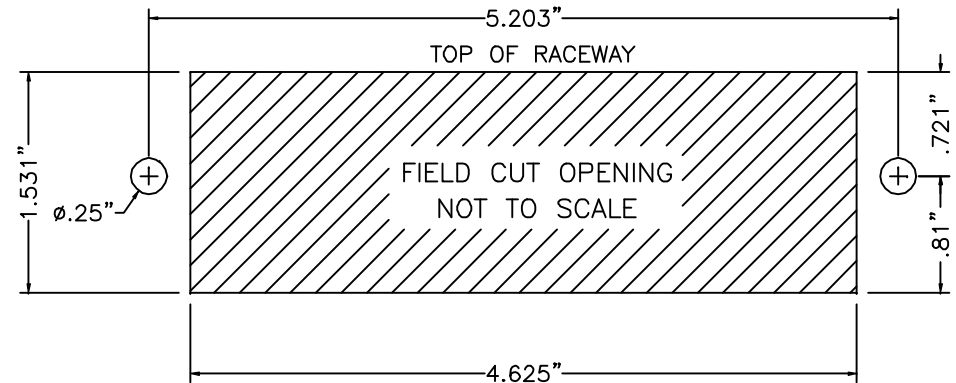
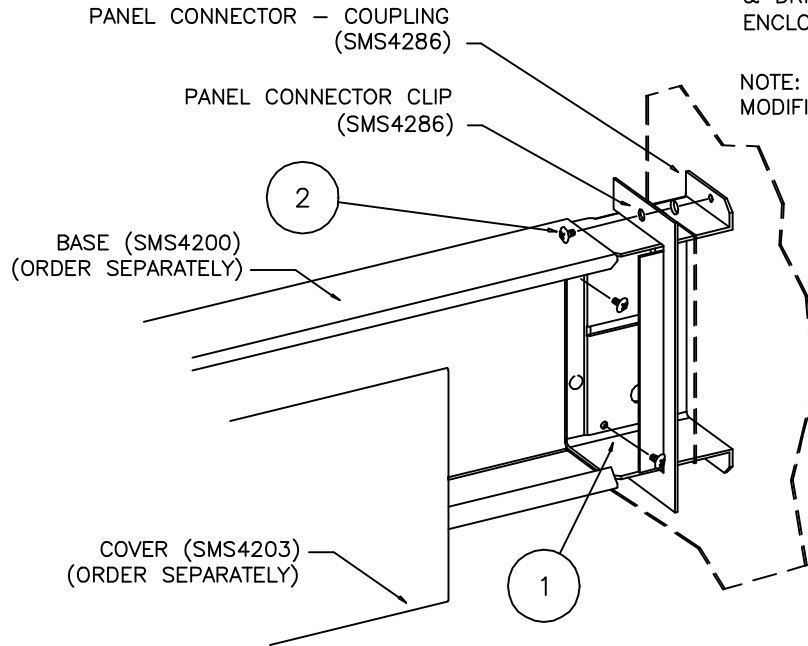
AVAILABLE IN STANDARD GRAY OR IVORY
(ADD "-I" SUFFIX TO SPECIFY IVORY)



SMS4200 SERIES
STEEL RACEWAY
SECTION VIEW
EACH ORDERED SEPARATELY
SCALE: NONE

FIELD CUT OPENING
& DRILL MTG. HOLES IN
ENCLOSURE.

NOTE: PANEL AND PANEL
MODIFICATIONS BY OTHERS ...



ASSEMBLY INSTRUCTIONS

1. POSITION PANEL CONECTOR COUPLING THROUGH OPENING IN ENCLOSURE BOX (BY OTHERS) SO THAT EMBOSSED 8-32 HOLES ARE ON THE EXTERIOR. SLIDE SMS4200 BASE ONTO PANEL CONNECTOR COUPLING AND SECURE WITH PROVIDED 8-32 x 3/16" PAN HEAD SCREWS.
2. ATTACH PANEL CONNECTOR CLIP AS SHOWN ON OUTSIDE OF PANEL BOX AND SECURE IN PLACE USING TWO 8-32 X 1/4" PAN HEAD SCREWS.

FILENAME: SMS4286

www.monosystems.com

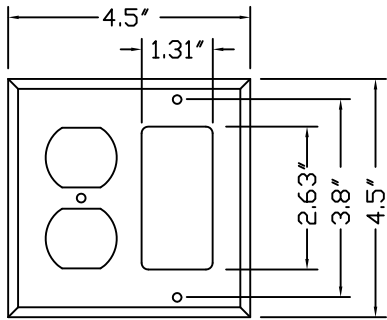


MONO-SYSTEMS, INC.
UNIQUE CABLE DISTRIBUTION SOLUTIONS
4 INTERNATIONAL DRIVE
RYE BROOK, NEW YORK 10573
PHONE: (914)-934-2075
FAX: (914)-934-2190

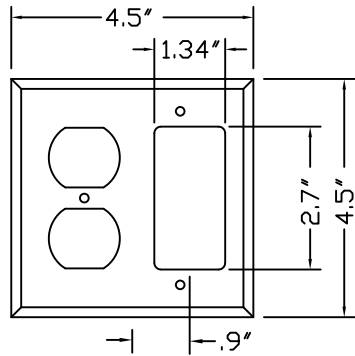
SMS4289 SERIES COVER PLATE OPTIONS

AVAILABLE IN STANDARD GRAY OR IVORY
 (ADD "-I" SUFFIX TO SPECIFY IVORY)

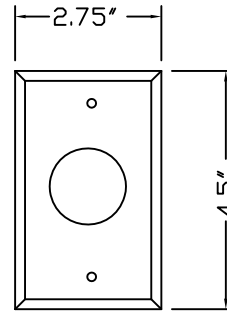
STEEL DEVICE COVERS FOR USE WITH SMS4231, 4235 AND SMS4237 DEVICE PLATES.



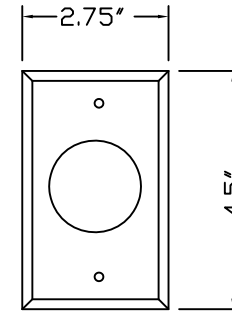
SMS4289AM
 DUPLEX / DECOR



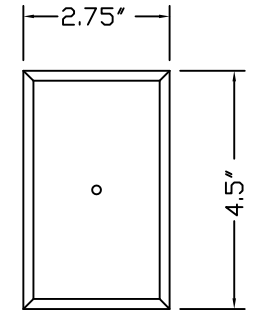
SMS4289AJ
 DUPLEX / DATACOM



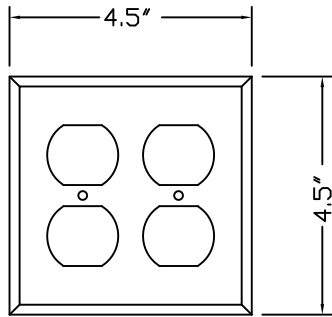
SMS4289N
 1.43" DIA HOLE



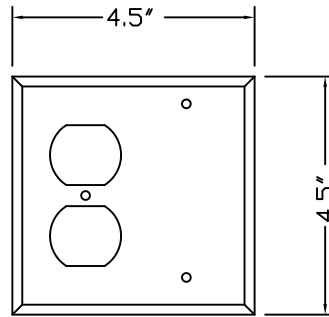
SMS4289Q
 1.59" DIA HOLE



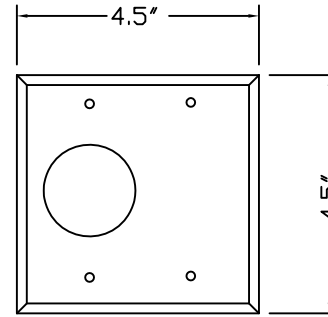
SMS4289Z
 BLANK



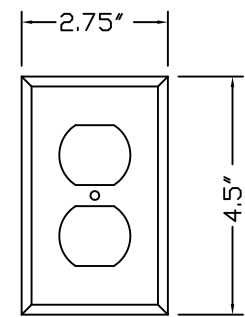
SMS4289AA
 DUPLEX / DUPLEX



SMS4289AZ
 DUPLEX / BLANK



SMS4289PZ
 2.16" DIA. HOLE



SMS4289A
 DUPLEX



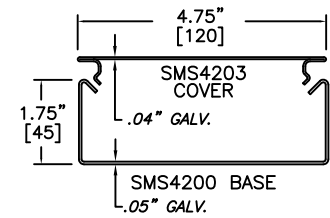
MONO-SYSTEMS, INC.
UNIQUE CABLE DISTRIBUTION SOLUTIONS
 4 INTERNATIONAL DRIVE
 RYE BROOK, NEW YORK 10573
 PHONE: (914)-934-2075
 FAX: (914)-934-2190

SMS4295

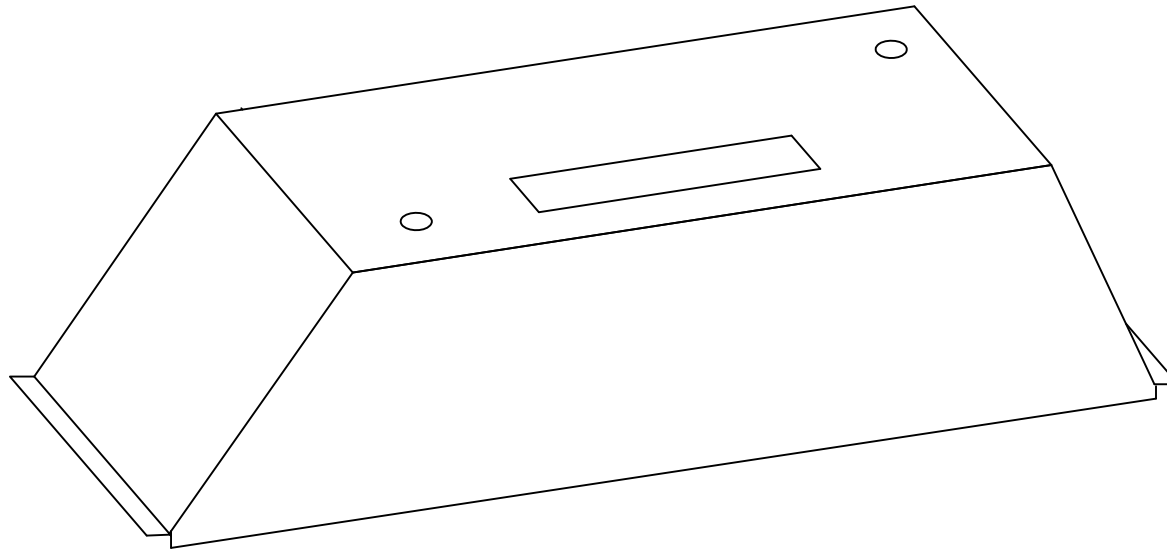
CIRCUIT BREAKER HOUSING

GRAY STANDARD FINISH USE SUFFIX "-I" FOR IVORY
SINGLE POLE HOUSING
FOR USE WITH SQUARE D QOU-GFI STYLE BREAKERS

SnapMark™
SMS4200 Series



SMS4200 SERIES
STEEL RACEWAY
SECTION VIEW
EACH ORDERED SEPARATELY
SCALE: NONE



MONO-SYSTEMS, INC.
UNIQUE CABLE DISTRIBUTION SOLUTIONS
4 INTERNATIONAL DRIVE
RYE BROOK, NEW YORK 10573
PHONE: (914)-934-2075
FAX: (914)-934-2190