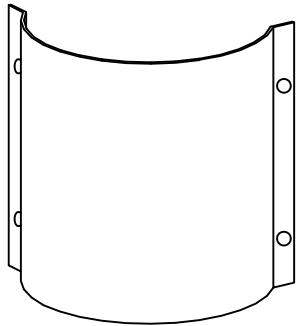
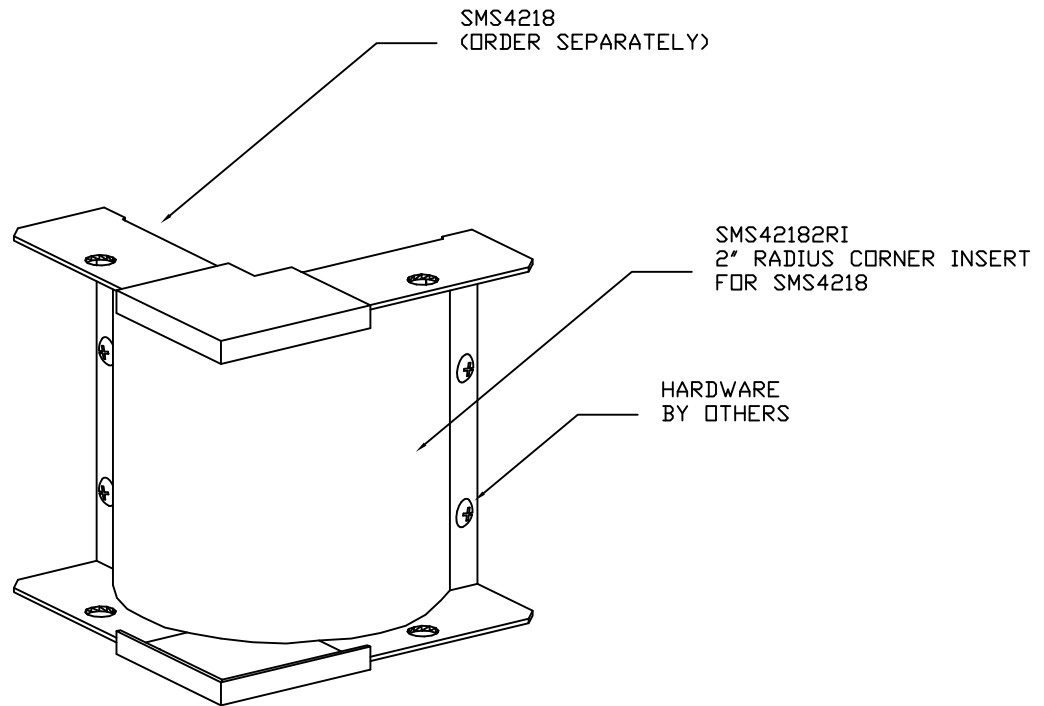


**SnapMold™** SMS42182RI  
**SMS4200 Series** 2" RADIUS CORNER INSERT  
*SCALE: NONE*

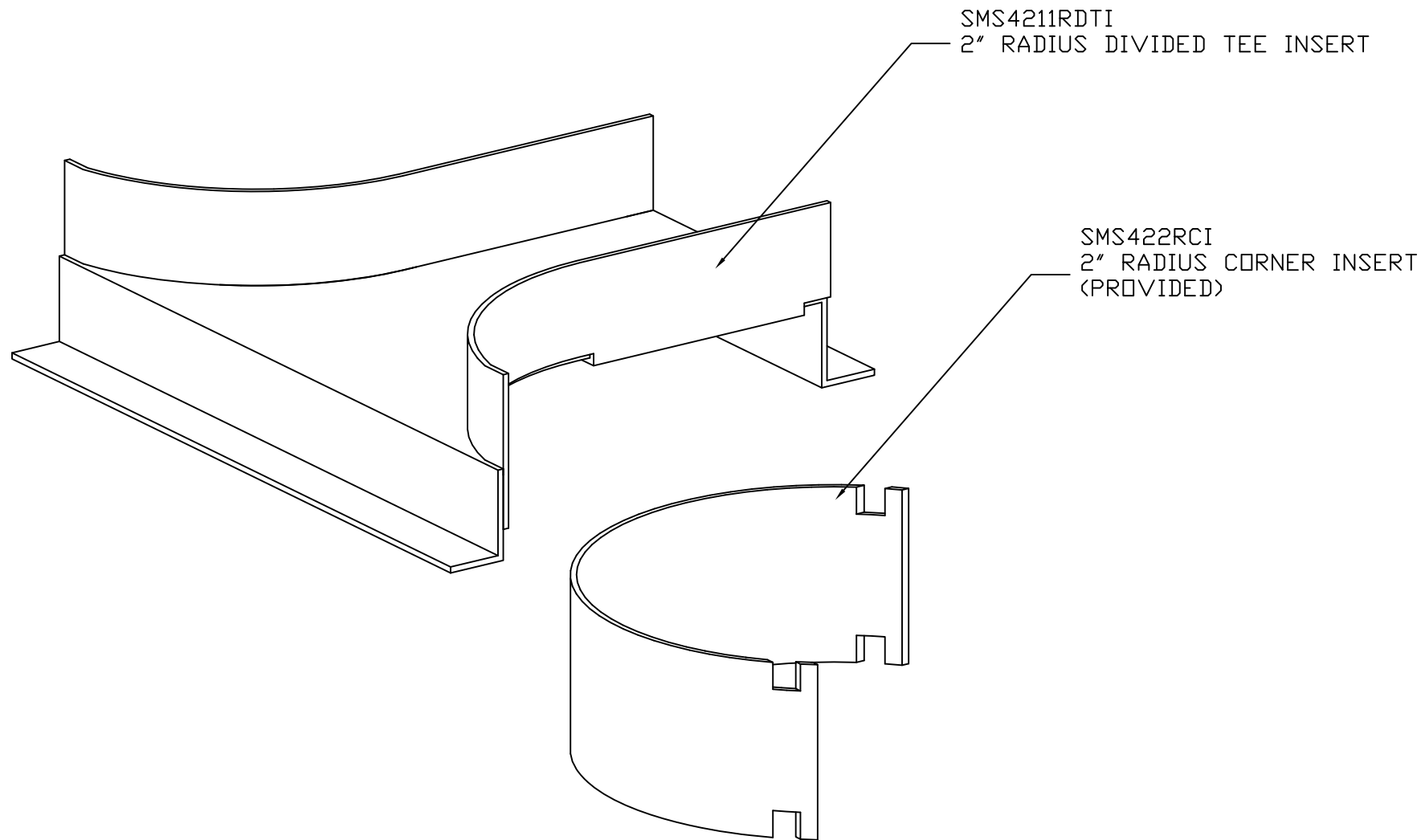


SMS42182RI



SnapMold™  
SMS4200 Series

SMS4211RDTI  
2" RADIUS DIVIDED TEE INSERT  
SCALE: NONE

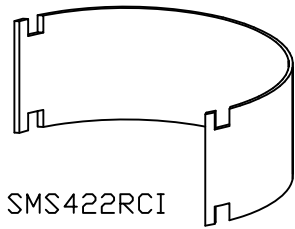


SMS4211RDTI  
2" RADIUS DIVIDED TEE INSERT

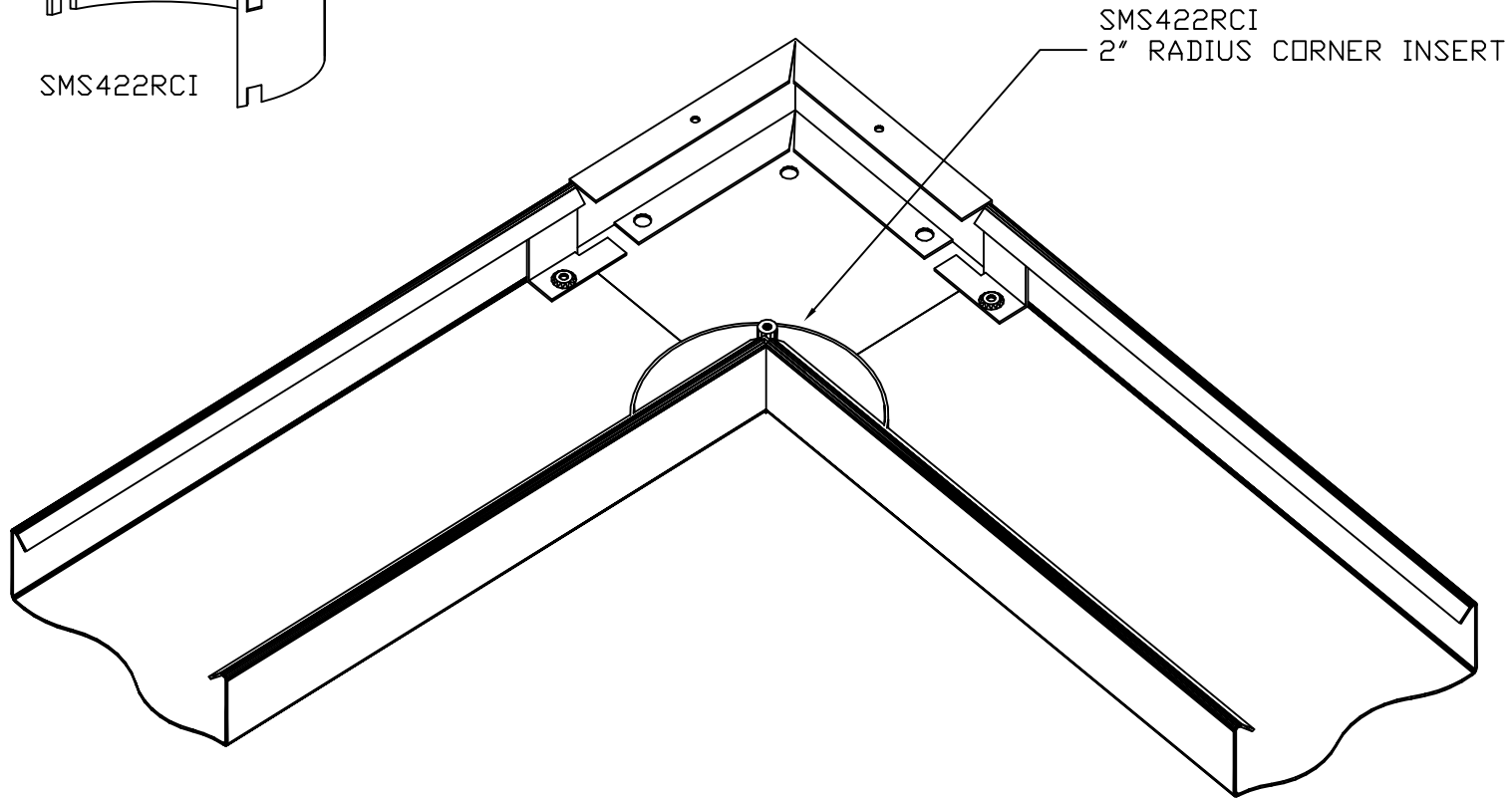
SMS422RCI  
2" RADIUS CORNER INSERT  
(PROVIDED)



**SnapMold™** SMS422RCI  
**SMS4200 Series** 2" RADIUS CORNER INSERT  
*SCALE: NONE*



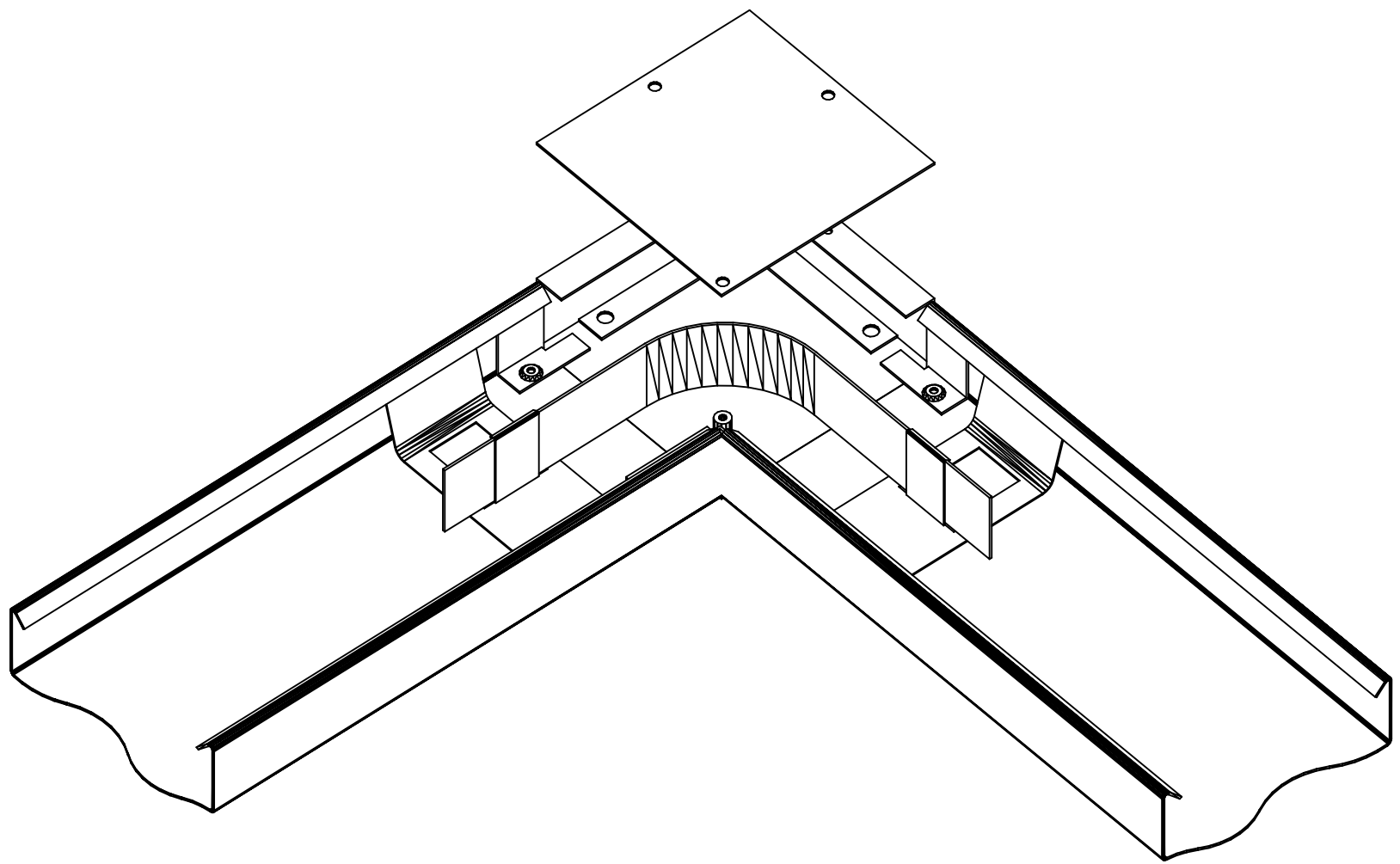
SMS422RCI



**MONO-SYSTEMS, INC.**  
UNIQUE CABLE DISTRIBUTION SOLUTIONS  
4 INTERNATIONAL DRIVE  
RYE BROOK, NEW YORK 10573  
PHONE: (914)-934-2075  
FAX: (914)-934-2190

**SnapMold™**  
**SMS4200 Series**

SMS422RDCI  
2" RADIUSED CORNER INSERT  
SCALE: NONE



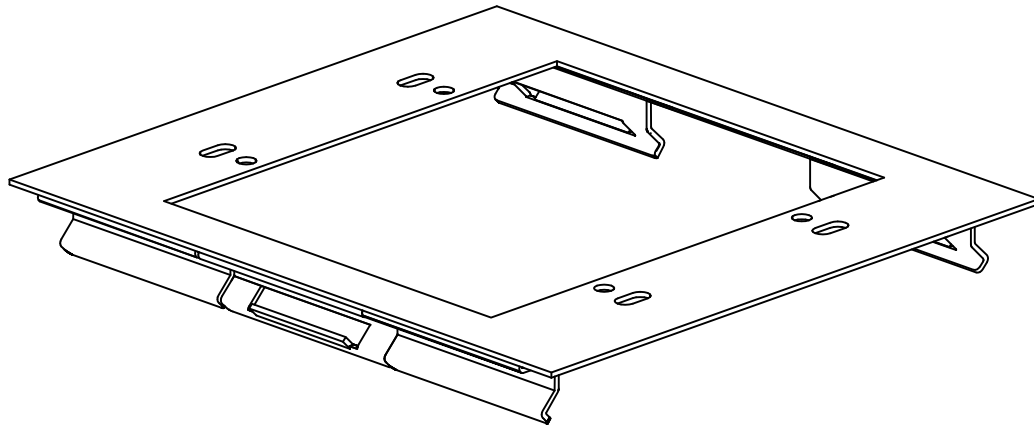
**MONO-SYSTEMS, INC.**  
UNIQUE CABLE DISTRIBUTION SOLUTIONS  
4 INTERNATIONAL DRIVE  
RYE BROOK, NEW YORK 10573  
PHONE: (914)-934-2075  
FAX: (914)-934-2190

**Mono-Systems, Inc.**  
**SnapMark (tm)**  
**SMS4200 / SMS4400 Series**

P/N# SMS4235

AVAILABLE IN STANDARD GRAY OR IVORY  
( ADD "-I" SUFFIX TO SPECIFY IVORY )

## UNIVERSAL DOUBLE TWO GANG DEVICE PLATE

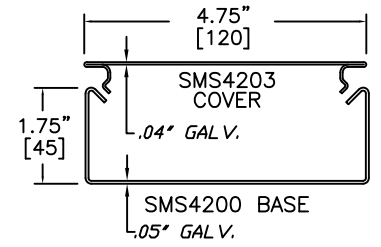


UNIQUE LOCKING DESIGN ELIMINATES DEVICE BRACKETS  
UNIVERSAL MOUNTING PATTERN PROVIDES MOUNTING FOR  
MANY STANDARD POWER / COMMUNICATION DEVICES.  
USE WITH SMS4289 PLATES.

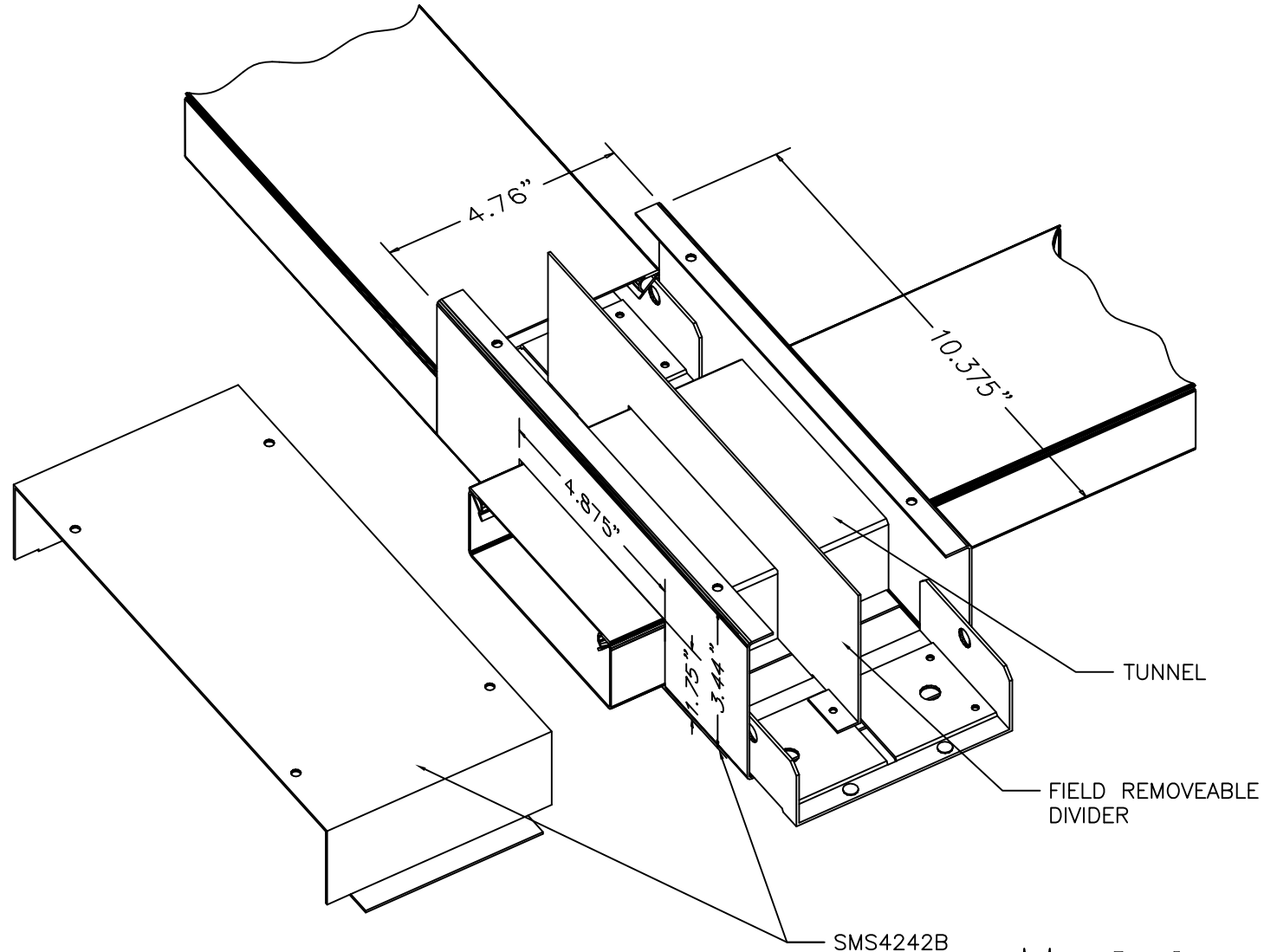


**SnapMark™**  
SMS4200 Series

M.S.I. P/N: SMS4242B  
SMS4200 SERIES BRIDGE (OVER SMS4200 & SMS3200 SERIES)  
AVAILABLE IN STANDARD GRAY OR IVORY – COVER ATTACHMENT HARDWARE PROVIDED  
( ADD "-I" SUFFIX TO SPECIFY IVORY)



SMS4200 SERIES  
STEEL RACEWAY  
SECTION VIEW  
EACH ORDERED SEPARATELY  
SCALE: NONE



RACEWAYS ORDERED SEPARATELY  
PATENT PENDING  
MATERIAL: 18 GA. GALVANNEALED

FILENAME: CS-SMS4242B 12/21/2010

[www.monosystems.com](http://www.monosystems.com)



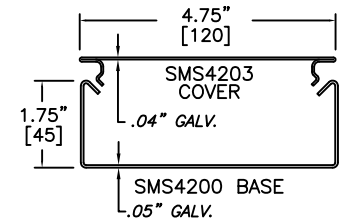
**MONO-SYSTEMS, INC.**  
UNIQUE CABLE DISTRIBUTION SOLUTIONS  
4 INTERNATIONAL DRIVE  
RYE BROOK, NEW YORK 10573  
PHONE: (914)-934-2075  
FAX: (914)-934-2190

SMS4295

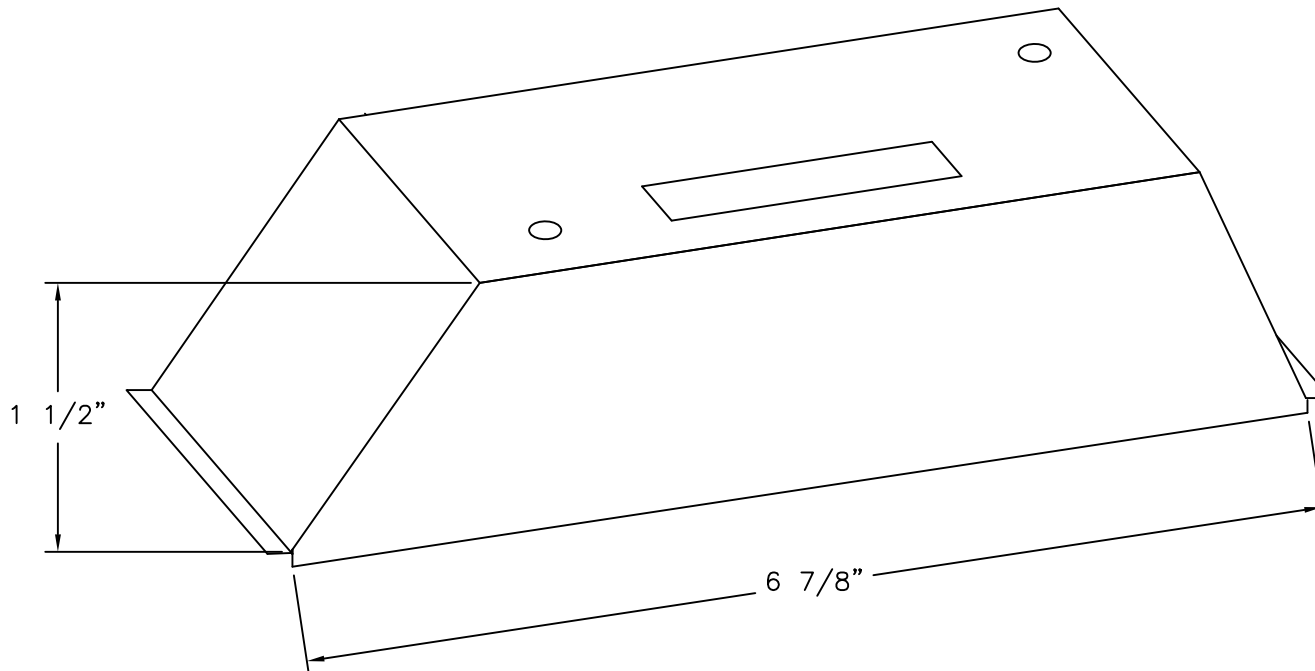
CIRCUIT BREAKER HOUSING

GRAY STANDARD FINISH USE SUFFIX "-I" FOR IVORY  
SINGLE POLE HOUSING  
FOR USE WITH SQUARE D QOU-GFI STYLE BREAKERS

**SnapMark™**  
SMS4200 Series



SMS4200 SERIES  
STEEL RACEWAY  
SECTION VIEW  
EACH ORDERED SEPARATELY  
SCALE: NONE

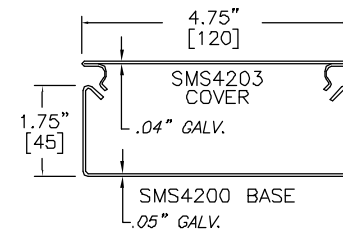


**MONO-SYSTEMS, INC.**  
UNIQUE CABLE DISTRIBUTION SOLUTIONS  
4 INTERNATIONAL DRIVE  
RYE BROOK, NEW YORK 10573  
PHONE: (914)-934-2075  
FAX: (914)-934-2190

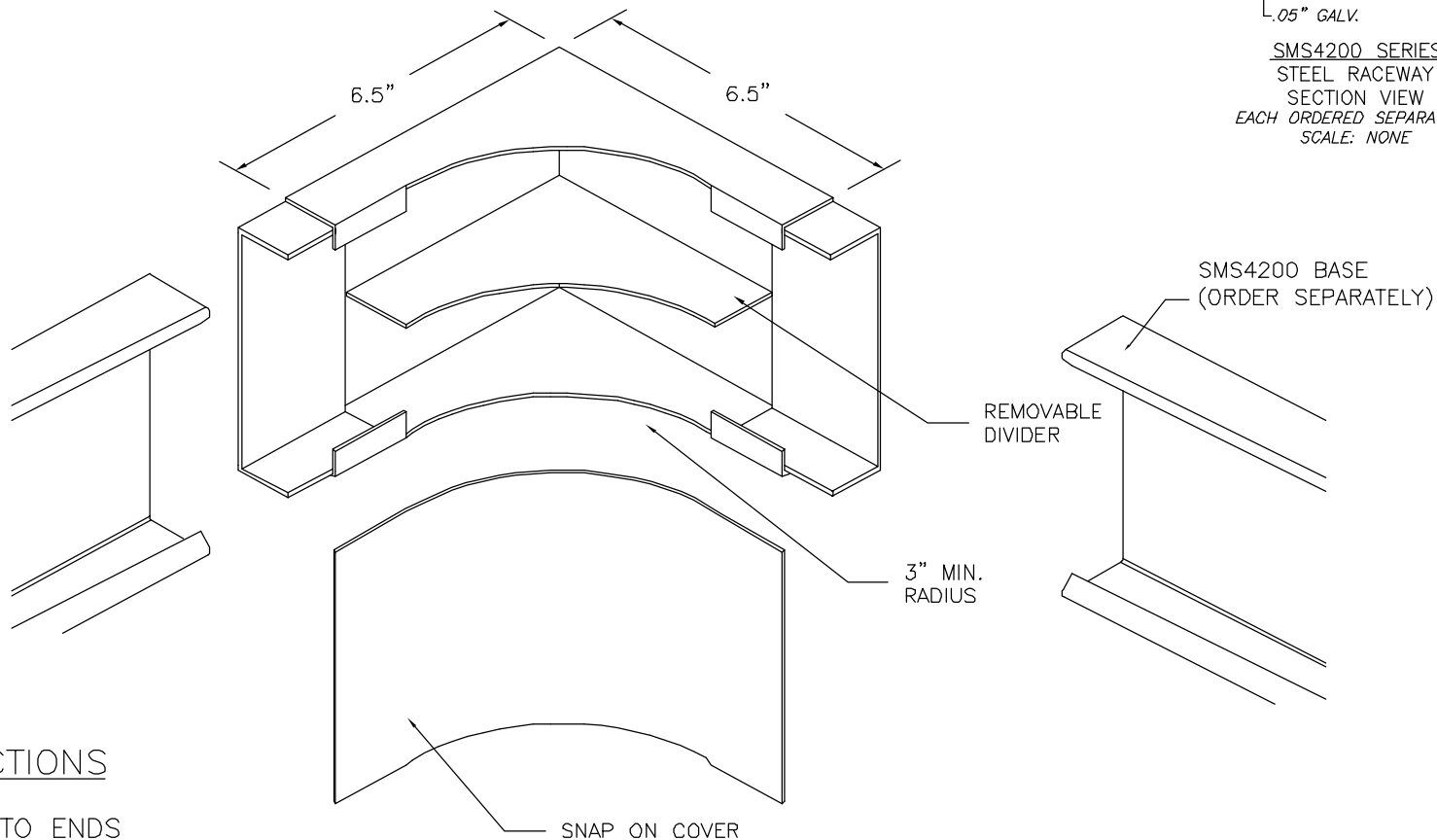
**SnapMark™**  
SMS4200 Series

# 90° INTERNAL ELBOW w/ 3" RADIUS – (SMS4214F03)

AVAILABLE IN STANDARD GRAY OR IVORY  
( ADD "-I" SUFFIX TO SPECIFY IVORY)



SMS4200 SERIES  
STEEL RACEWAY  
SECTION VIEW  
EACH ORDERED SEPARATELY  
SCALE: NONE



## ASSEMBLY INSTRUCTIONS

1. SLIDE SMS4214F03 INTO ENDS OF SMS4200 BASE SECTIONS.
2. SECURE ELBOW TO BASE SECTIONS PROVIDED HARDWARE.
3. SECURE ELBOW TO MOUNTING SURFACE WITH SCREWS SUPPLIED BY OTHERS.
4. SNAP COVER INTO PLACE.

FILENAME: SMS4214F03

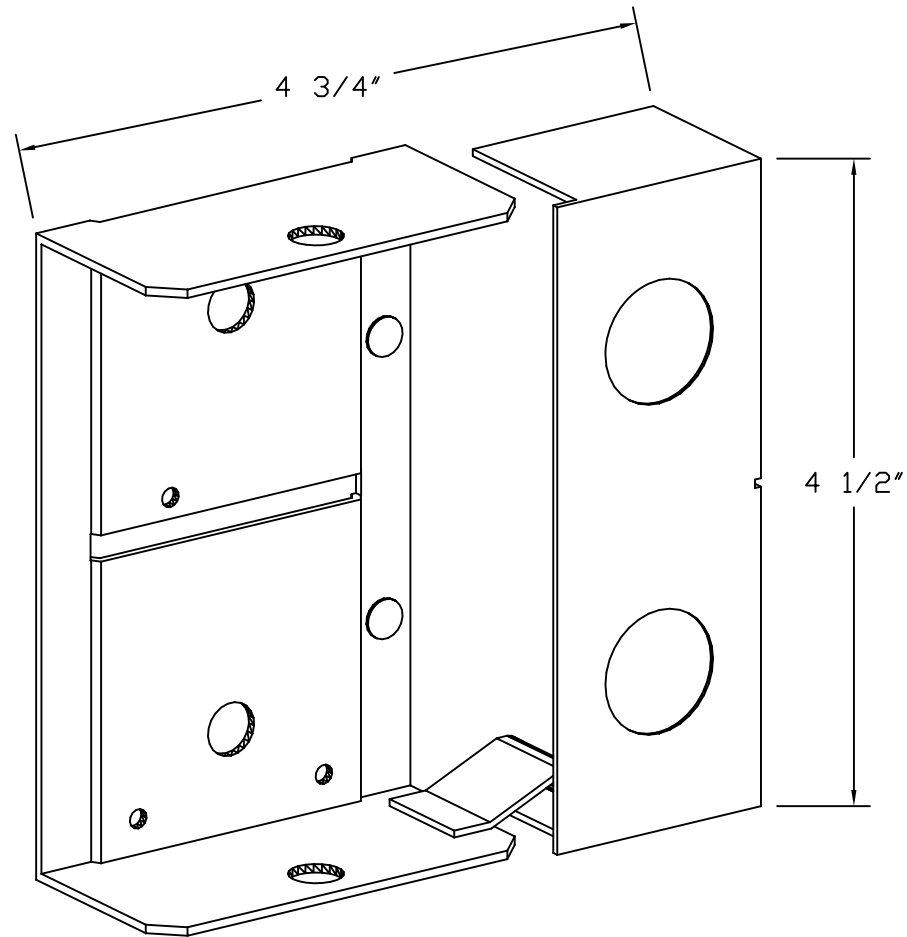
[www.monosystems.com](http://www.monosystems.com)



**MONO-SYSTEMS, INC.**  
UNIQUE CABLE DISTRIBUTION SOLUTIONS  
4 INTERNATIONAL DRIVE  
RYE BROOK, NEW YORK 10573  
PHONE: (914)-934-2075  
FAX: (914)-934-2190

SnapMold™  
SMS4200 Series

SMS4217  
INVERTED 90° INTERNAL ELBOW  
SCALE: NONE



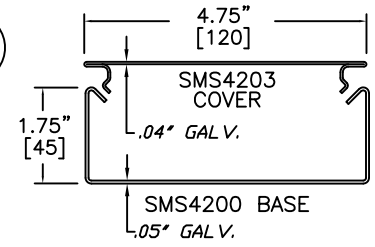
# SnapMark™

SMS4200 Series

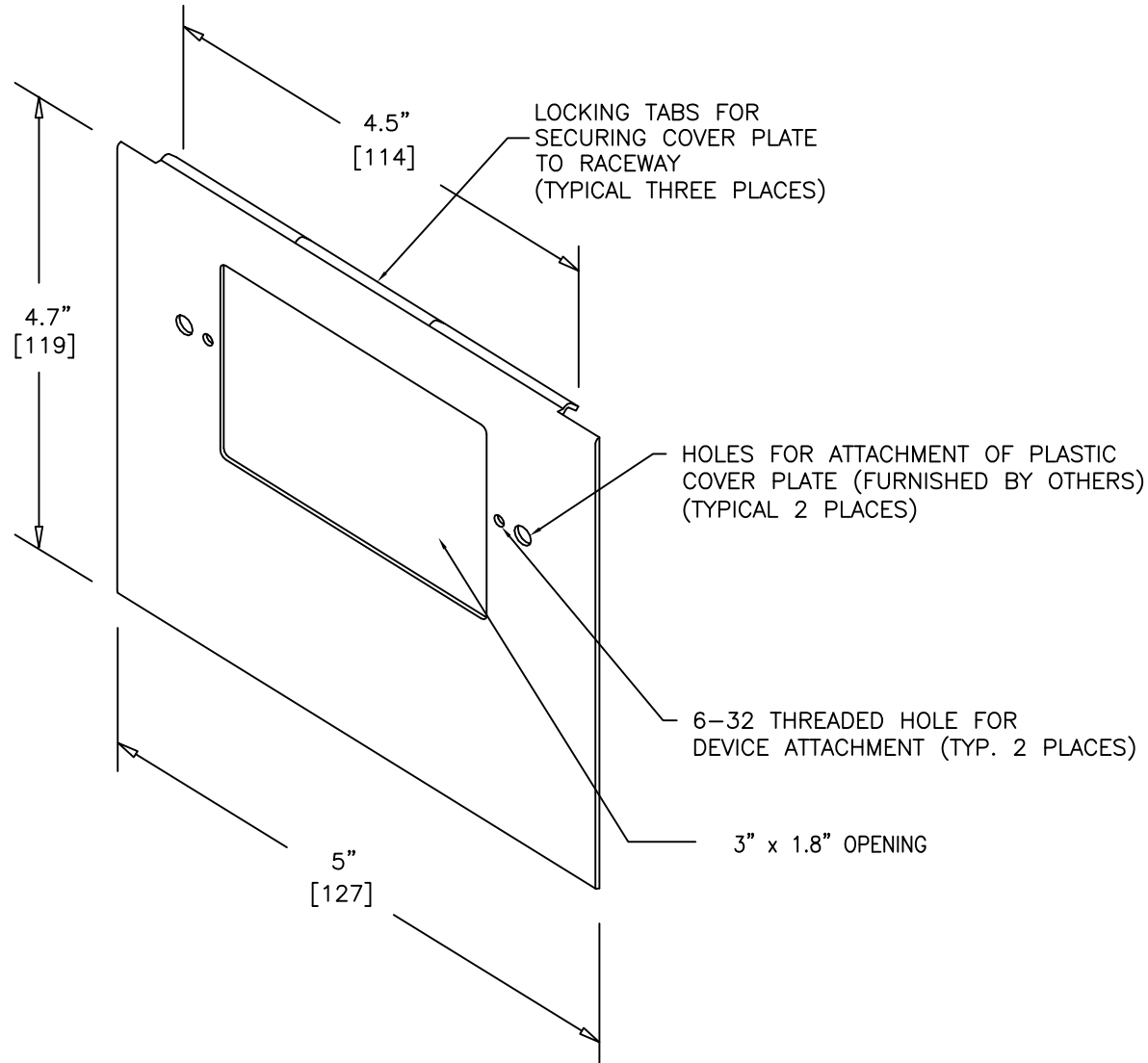
## SINGLE GANG UNIVERSAL PLATE WITH OVERLAP (SMS4231)

SINGLE GANG UNIVERSAL  
WITH COVER OVERLAP  
(NO MOUSE HOLE)  
USE WITH FLUSH PLATE  
BY OTHERS.

AVAILABLE IN STANDARD GRAY OR IVORY  
( ADD "-I" SUFFIX TO SPECIFY IVORY)



SMS4200 SERIES  
STEEL RACEWAY  
SECTION VIEW  
EACH ORDERED SEPARATELY  
SCALE: NONE



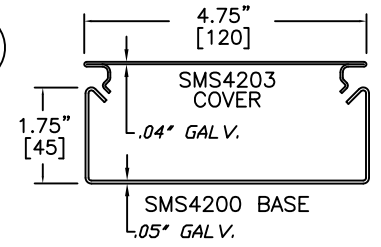
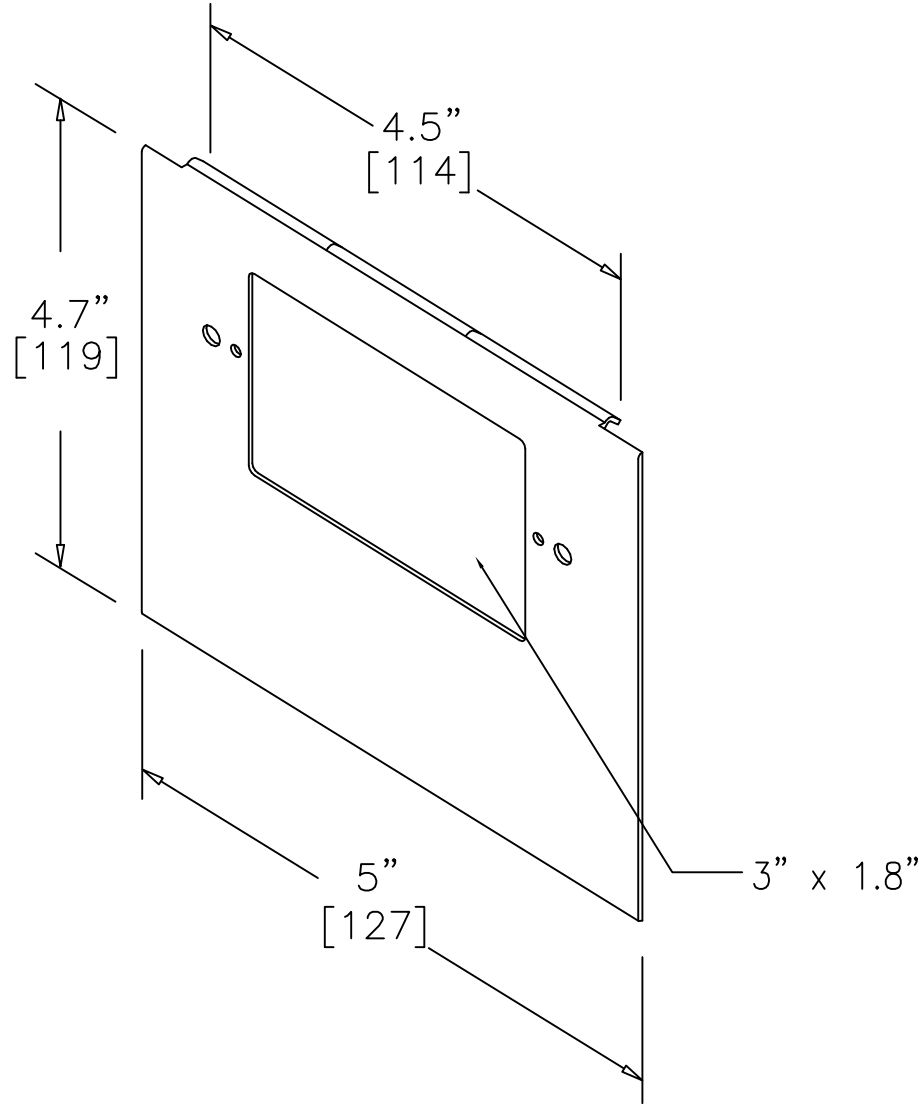
**MONO-SYSTEMS, INC.**  
UNIQUE CABLE DISTRIBUTION SOLUTIONS  
4 INTERNATIONAL DRIVE  
RYE BROOK, NEW YORK 10573  
PHONE: (914)-934-2075  
FAX: (914)-934-2190

**SnapMark™**  
SMS4200 Series

SINGLE GANG UNIVERSAL  
WITH COVER OVERLAP  
(NO MOUSE HOLE)  
USE WITH FLUSH PLATE  
BY OTHERS.

SINGLE GANG UNIVERSAL PLATE WITH OVERLAP (SMS4231)

AVAILABLE IN STANDARD GRAY OR IVORY  
( ADD "-I" SUFFIX TO SPECIFY IVORY)



SMS4203  
COVER  
.04" GALV.  
SMS4200 BASE  
.05" GALV.  
SMS4200 SERIES  
STEEL RACEWAY  
SECTION VIEW  
EACH ORDERED SEPARATELY  
SCALE: NONE



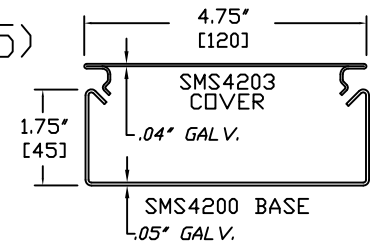
**MONO-SYSTEMS, INC.**  
UNIQUE CABLE DISTRIBUTION SOLUTIONS  
4 INTERNATIONAL DRIVE  
RYE BROOK, NEW YORK 10573  
PHONE: (914)-934-2075  
FAX: (914)-934-2190

**SnapMark™**  
SMS4200 Series

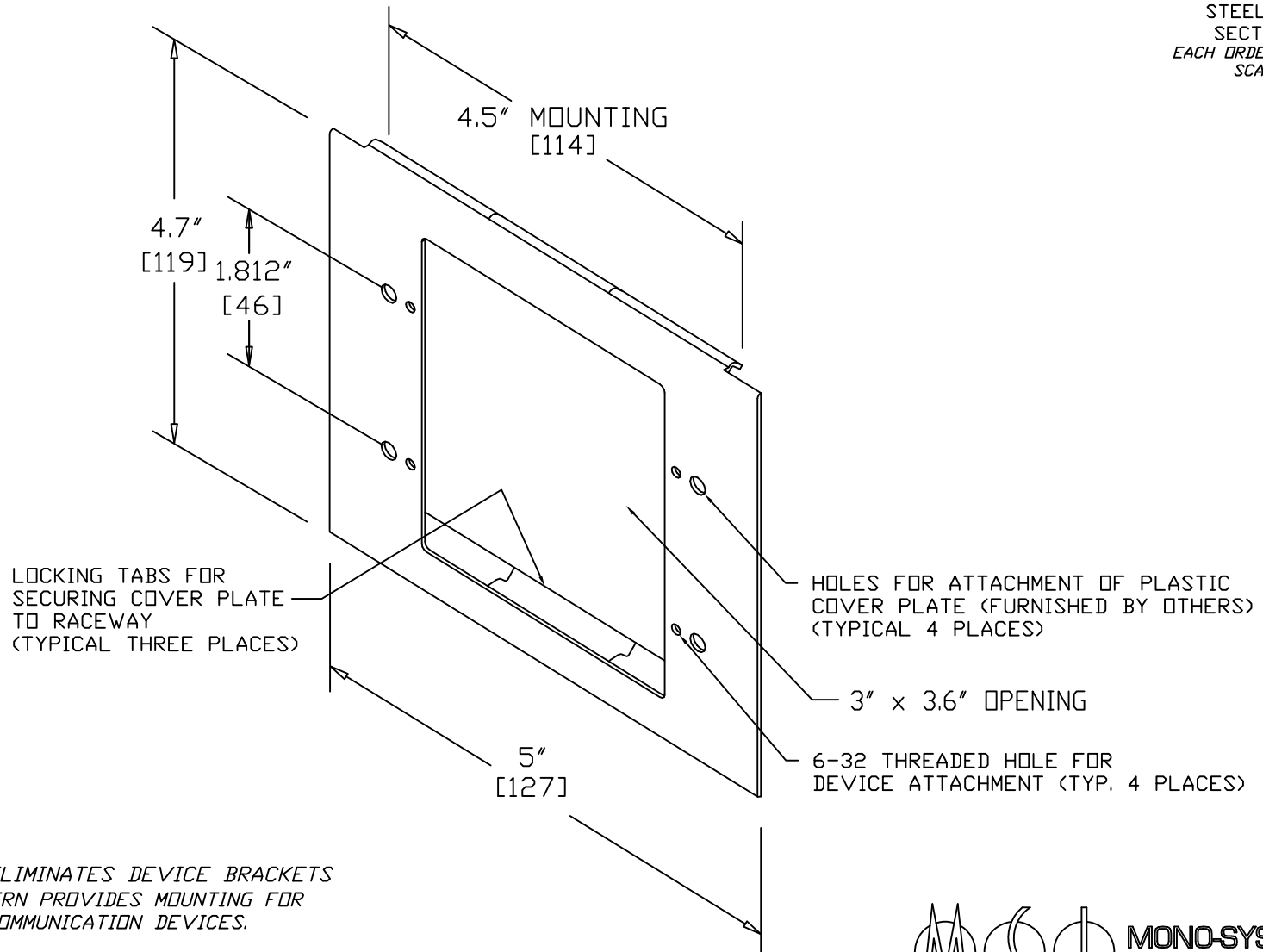
DUAL GANG UNIVERSAL  
WITH COVER OVERLAP  
(NO MOUSE HOLE)  
USE WITH FLUSH PLATE  
BY OTHERS.

DOUBLE GANG UNIVERSAL PLATE WITH OVERLAP (SMS4235)

AVAILABLE IN STANDARD GRAY OR IVORY  
( ADD "-I" SUFFIX TO SPECIFY IVORY)



SMS4200 SERIES  
STEEL RACEWAY  
SECTION VIEW  
EACH ORDERED SEPARATELY  
SCALE: NONE



UNIQUE LOCKING DESIGN ELIMINATES DEVICE BRACKETS  
UNIVERSAL MOUNTING PATTERN PROVIDES MOUNTING FOR  
MANY STANDARD POWER / COMMUNICATION DEVICES.  
USE WITH SMS4289 PLATES.



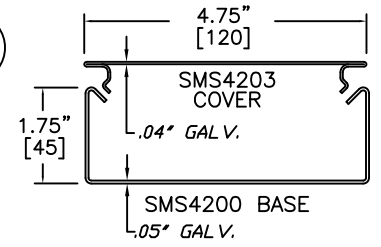
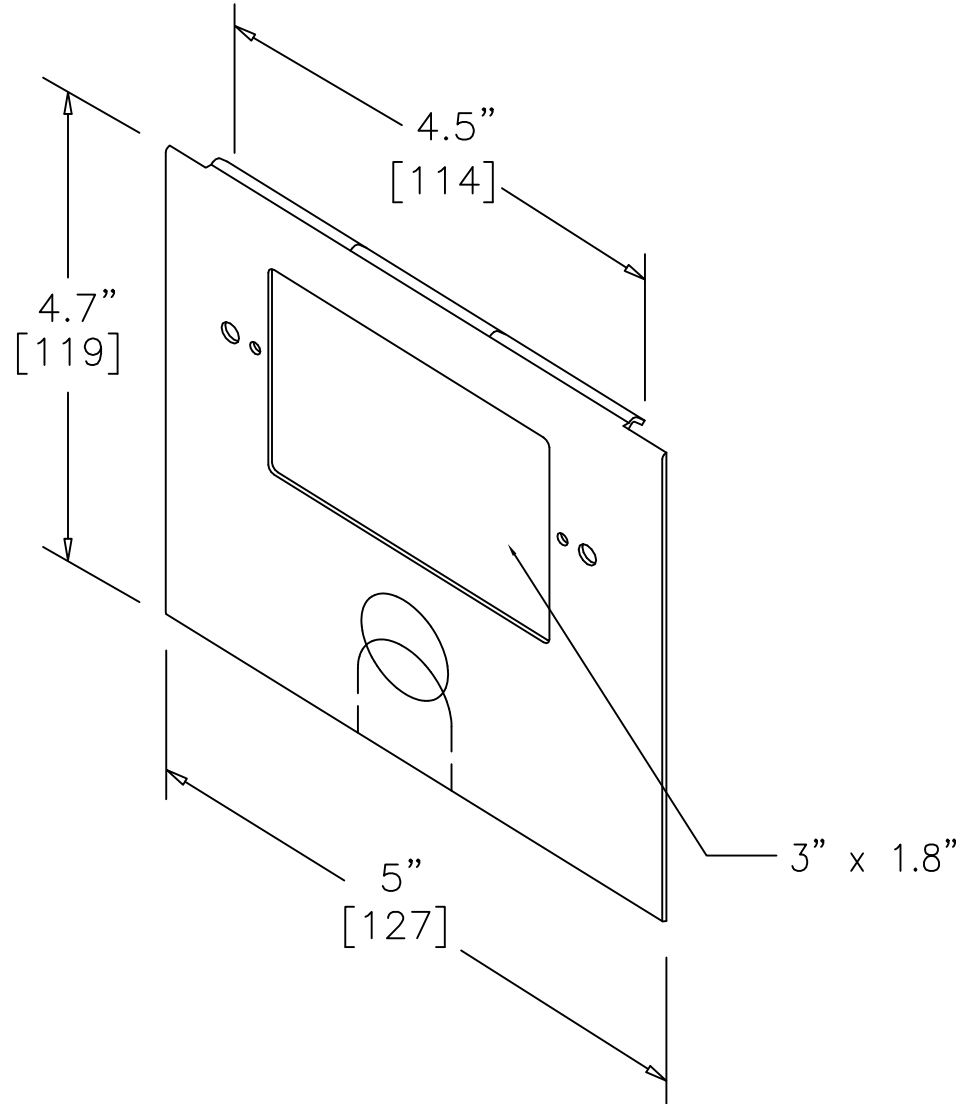
**MONO-SYSTEMS, INC.**  
UNIQUE CABLE DISTRIBUTION SOLUTIONS  
4 INTERNATIONAL DRIVE  
RYE BROOK, NEW YORK 10573  
PHONE: (914)-934-2075  
FAX: (914)-934-2190

**SnapMark™**  
SMS4200 Series

SINGLE GANG UNIVERSAL PLATE WITH OVERLAP (SMS4237)

SINGLE GANG UNIVERSAL  
/ TELEPHONE COMBO  
WITH COVER OVERLAP  
GROMMETS INCL.  
USE WITH FLUSH PLATE  
BY OTHERS.

AVAILABLE IN STANDARD GRAY OR IVORY  
( ADD "-I" SUFFIX TO SPECIFY IVORY)



SMS4203  
COVER  
.04" GALV.  
SMS4200 BASE  
.05" GALV.  
SMS4200 SERIES  
STEEL RACEWAY  
SECTION VIEW  
EACH ORDERED SEPARATELY  
SCALE: NONE



**MONO-SYSTEMS, INC.**  
UNIQUE CABLE DISTRIBUTION SOLUTIONS  
4 INTERNATIONAL DRIVE  
RYE BROOK, NEW YORK 10573  
PHONE: (914)-934-2075  
FAX: (914)-934-2190

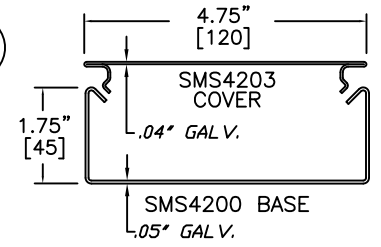
# SnapMark™

SMS4200 Series

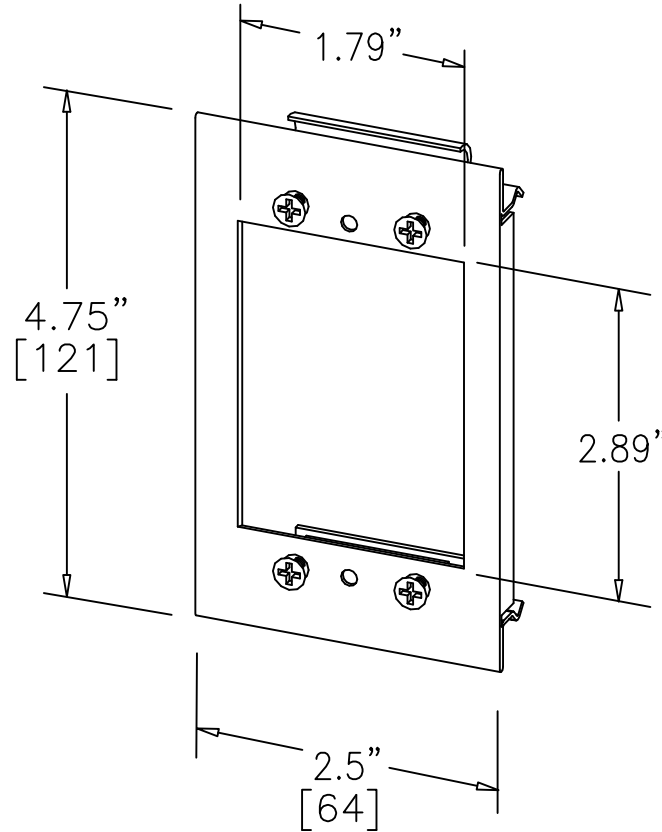
USE WITH FLUSH PLATE  
BY OTHERS.

## VERTICAL SINGLE GANG UNIVERSAL PLATE (SMS4238)

AVAILABLE IN STANDARD GRAY OR IVORY  
( ADD "-I" SUFFIX TO SPECIFY IVORY)



SMS4200 SERIES  
STEEL RACEWAY  
SECTION VIEW  
EACH ORDERED SEPARATELY  
SCALE: NONE



**MONO-SYSTEMS, INC.**  
UNIQUE CABLE DISTRIBUTION SOLUTIONS  
4 INTERNATIONAL DRIVE  
RYE BROOK, NEW YORK 10573  
PHONE: (914)-934-2075  
FAX: (914)-934-2190

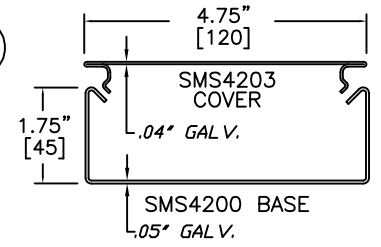
**SnapMark™**

**SMS4200 Series**

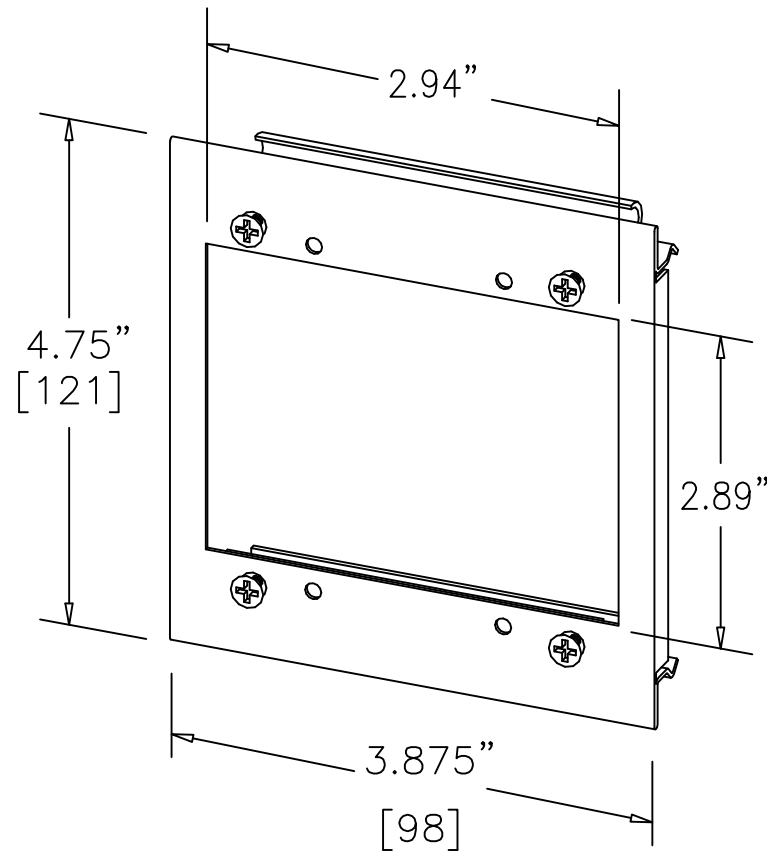
USE WITH FLUSH PLATE  
BY OTHERS.

# VERTICAL TWO GANG UNIVERSAL PLATE (SMS4239)

AVAILABLE IN STANDARD GRAY OR IVORY  
( ADD "-I" SUFFIX TO SPECIFY IVORY)



SMS4200 SERIES  
STEEL RACEWAY  
SECTION VIEW  
EACH ORDERED SEPARATELY  
SCALE: NONE



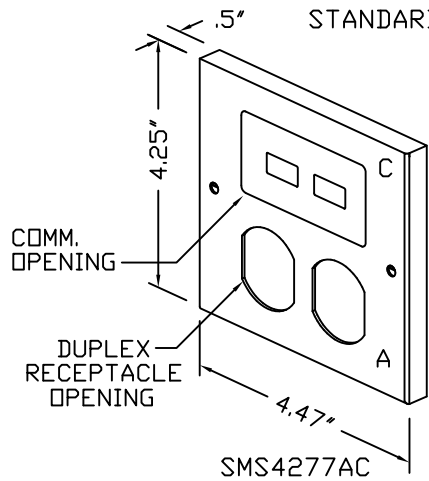
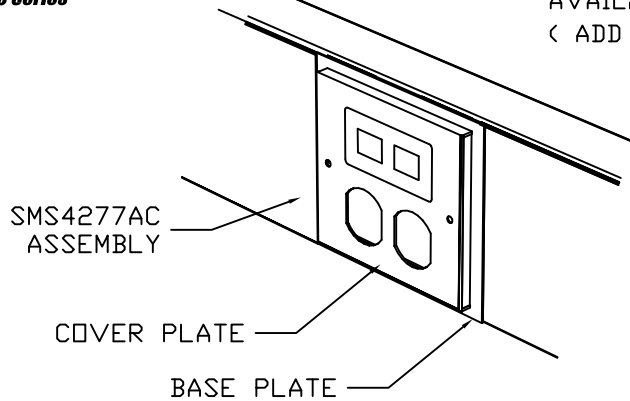
**MONO-SYSTEMS, INC.**  
UNIQUE CABLE DISTRIBUTION SOLUTIONS  
4 INTERNATIONAL DRIVE  
RYE BROOK, NEW YORK 10573  
PHONE: (914)-934-2075  
FAX: (914)-934-2190

**SMS4277 SERIES COVER PLATE OPTIONS**

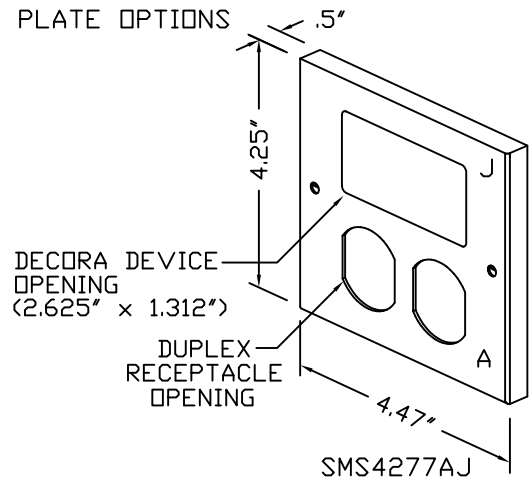
PATENTED

AVAILABLE IN STANDARD GRAY OR IVORY  
 ( ADD "-I" SUFFIX TO SPECIFY IVORY)

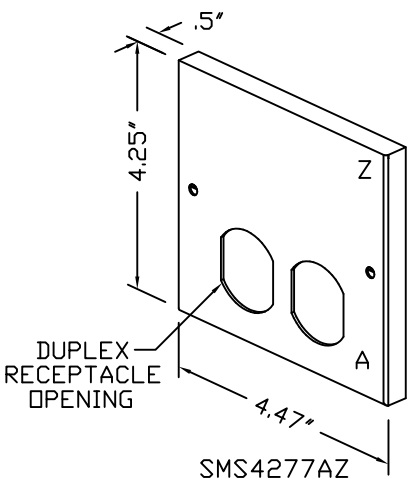
FOR USE WITH SMS4200  
 AND SMS4400 SERIES RACEWAYS



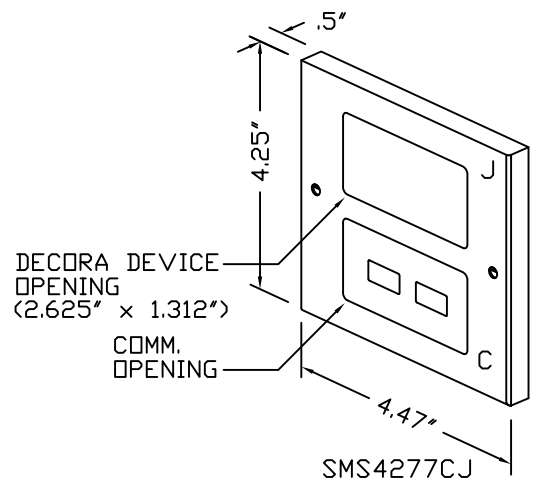
SMS4277AC



SMS4277AJ



SMS4277AZ



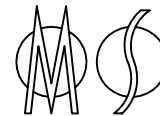
SMS4277CJ

**SPECIAL COVER PLATE ORDERING**

SMS4277  X   X

CHOOSE TWO COVER OPTIONS FROM BELOW.

THRU HOLE OPTIONS:		K.O. OPTIONS:	
DUPLEX A	RECTANGULAR J	RECTANGULAR B	COMM. C
DATA K	DATA (2X) L	DATA D	DATA (2X) E
SP. SWITCH I	N BLANK N	1.4" DIA. F	1.6" DIA. G



**MONO-SYSTEMS, INC.**  
 UNIQUE CABLE DISTRIBUTION SOLUTIONS  
 4 INTERNATIONAL DRIVE  
 RYE BROOK, NEW YORK 10573  
 PHONE: (914)-934-2075  
 FAX: (914)-934-2190