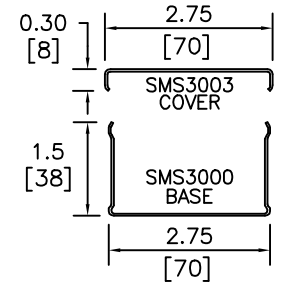


Mono-Systems, Inc.
Snap-Mark (tm)
SMS3000 SERIES

10' [3m] BASE SECTION (SMS3000)

SCALE: NONE

AVAILABLE IN STANDARD GRAY OR IVORY
 (ADD "-I" SUFFIX TO SPECIFY IVORY)

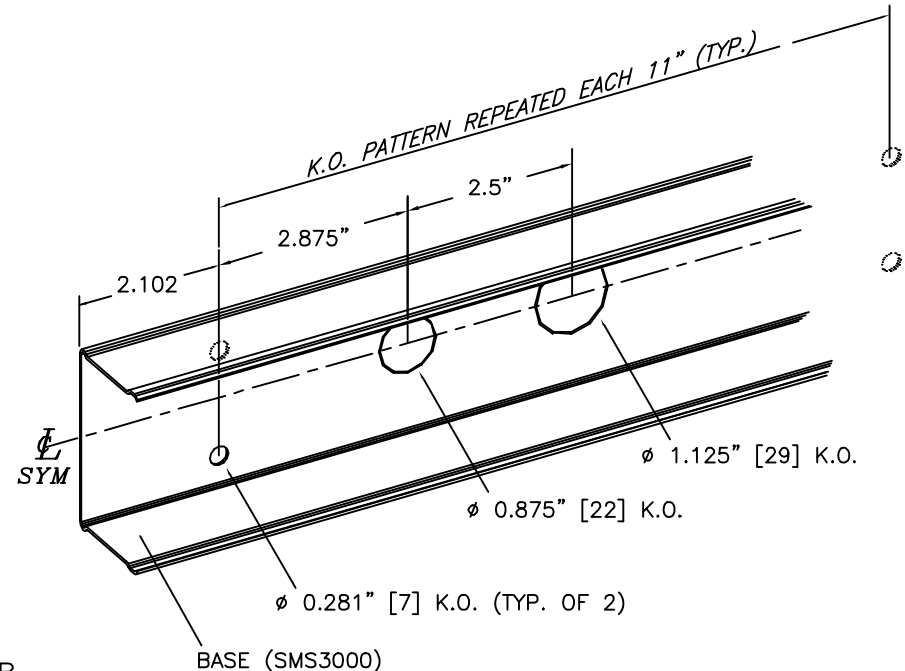


SMS3000 SERIES
STEEL RACEWAY
SECTION VIEW
 SCALE: NONE

THHN / THWN WIRE SIZE	OUTSIDE DIAMETER	POWER WIRING WITHOUT DEVICES (40% FILL)	POWER WIRING WITH DEVICES (40% FILL)	POWER WIRING WITH SURGE / GFI (40% FILL)
6 AWG	0.257"	27	15	11
8 AWG	0.218"	38	21	15
10 AWG	0.153"	76	43	30
12 AWG	0.122"	120	68	48
14 AWG	0.105"	162	92	65

CABLE TYPE	SIZE	CABLE O.D.	30% FILL	60% FILL
COAXIAL CABLES	RG62A/U 22 GAGE	0.260"	20	40
	RG6/U 18 GAGE	0.275"	18	35
	RG59/U 20 GAGE	0.242"	23	46
	RG58A/U 20 GAGE	0.195"	35	71
IBM CABLING SYSTEM	TYPE 1 CABLE	0.430"	7	15
	TYPE 2 CABLE	0.510"	5	10
LOW VOLTAGE WIRING	18 AWG	0.066"	308	616
	20 AWG	0.057"	413	826
	22 AWG	0.050"	537	1073
	24 AWG	0.044"	693	1386

TYPE	# OF PAIRS	CABLE O.D.	30% FILL	60% FILL
24 AWG. TELEPHONE CABLES (CM/CMR)	100	0.68"	3	6
	75	0.60"	4	7
	50	0.50"	5	11
	25	0.38"	9	19
	6	0.22"	28	55
	4	0.18"	41	83
	3	0.14"	68	197
	2	0.12"	93	186



ASSEMBLY INSTRUCTIONS

1. RIGIDLY SECURE BASE SECTION TO STRUCTURAL BUILDING MEMBER OR WALL CONSTRUCTION AT 18" MAXIMUM MOUNTING CENTERS. ENGINEER TO VERIFY FASTENERS & MOUNTING INTERVAL BASED ON MOUNTING SURFACE CONSTRUCTION. (HARDWARE BY OTHERS)
2. COUPLE ADJOINING RACEWAY LENGTHS USING SMS3001 OR SMS3002 COUPLINGS. (ORDERED SEPARATELY)

FILENAME: SMS3000

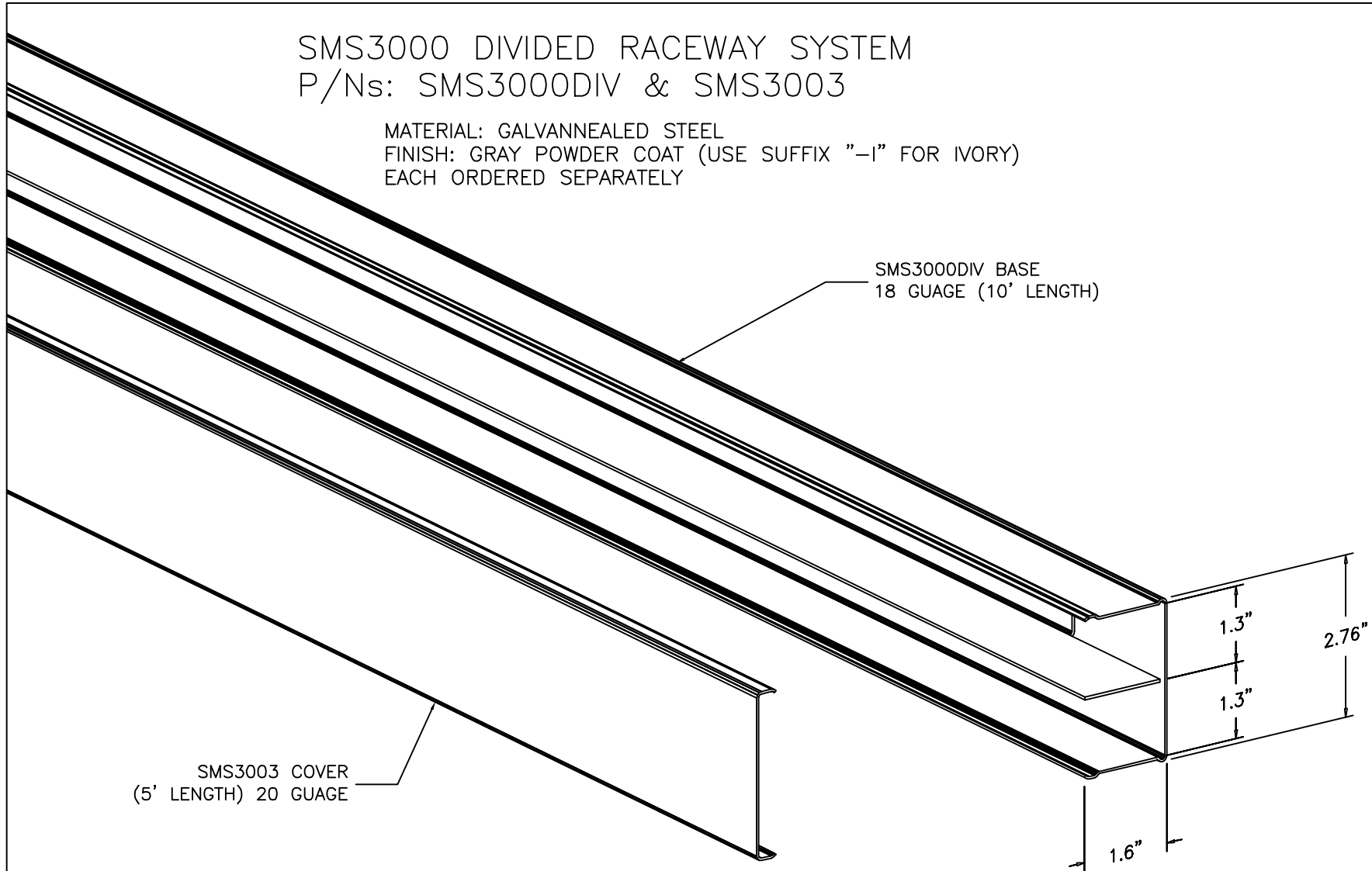


MONO-SYSTEMS, INC.
UNIQUE CABLE DISTRIBUTION SOLUTIONS
 4 INTERNATIONAL DRIVE
 RYE BROOK, NEW YORK 10573
 PHONE: (914)-934-2075
 FAX: (914)-934-2190

SMS3000 DIVIDED RACEWAY SYSTEM

P/Ns: SMS3000DIV & SMS3003

MATERIAL: GALVANNEALED STEEL
FINISH: GRAY POWDER COAT (USE SUFFIX "-I" FOR IVORY)
EACH ORDERED SEPARATELY



SMS3000DIV BASE
18 GAUGE (10' LENGTH)

SMS3003 COVER
(5' LENGTH) 20 GAUGE

1. RIGIDLY SECURE BASE SECTION TO STRUCTURAL BUILDING MEMBER OR WALL CONSTRUCTION AT 18" MAXIMUM MOUNTING CENTERS. ENGINEER TO VERIFY FASTENERS & MOUNTING INTERVAL BASED ON MOUNTING SURFACE CONSTRUCTION. (HARDWARE BY OTHERS)
2. COUPLE ADJOINING RACEWAY LENGTHS USING SMS3001 OR SMS3002 COUPLINGS. (ORDERED SEPARATELY)

09/07/04 DOCUMENT REF. NO.: SMS3000DIV.DWG

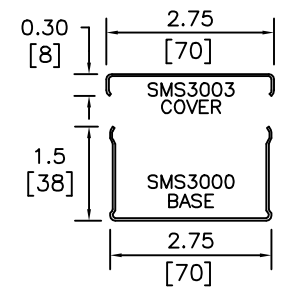


MONO-SYSTEMS, INC.
UNIQUE CABLE DISTRIBUTION SOLUTIONS
4 INTERNATIONAL DRIVE
RYE BROOK, NEW YORK 10573
PHONE: (914)-934-2075
FAX: (914)-934-2190

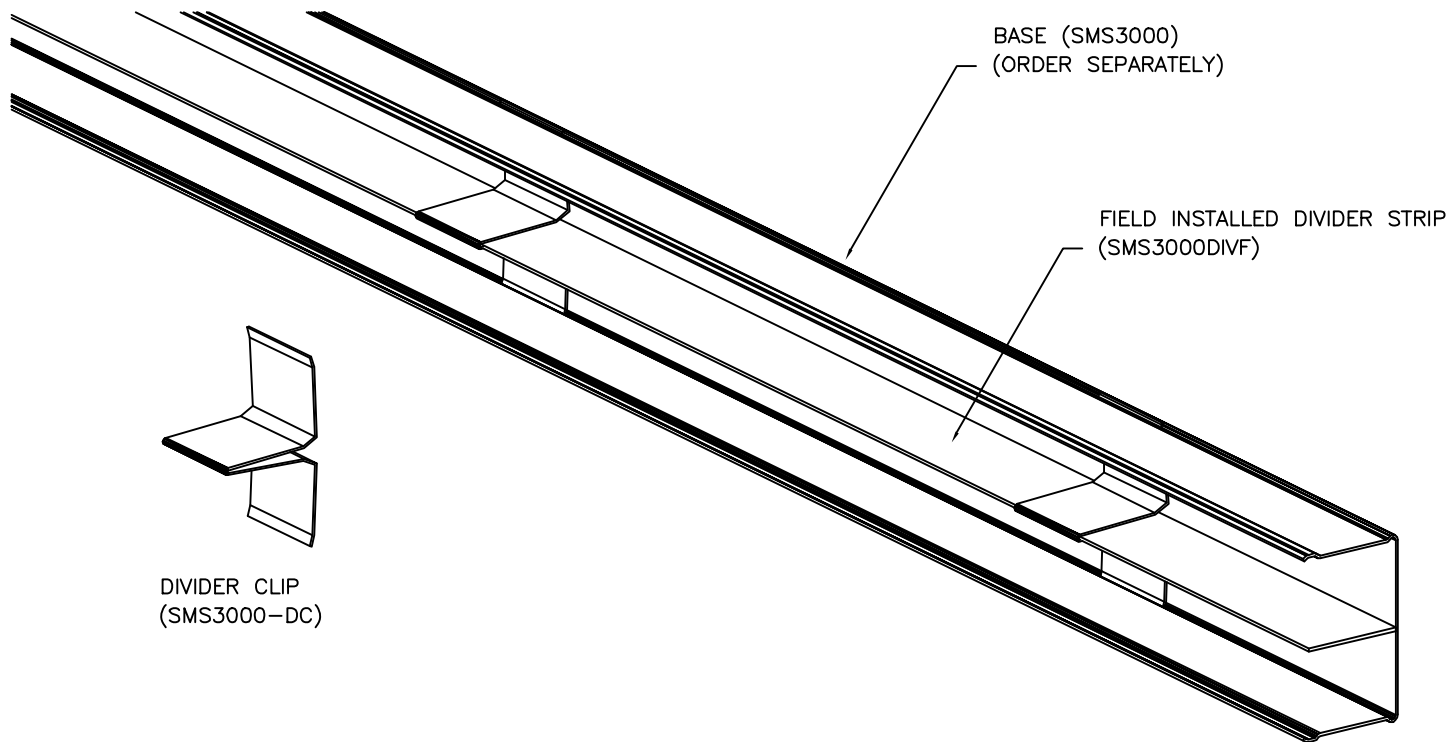
Mono-Systems, Inc.
Snap-Mark (tm)
SMS3000 SERIES

5' [1.5M] FIELD INSTALLED DIVIDER STRIP (SMS3000DIVF)

SCALE: NONE



SMS3000 SERIES
STEEL RACEWAY
SECTION VIEW
SCALE: NONE



DIVIDER CLIP
(SMS3000-DC)

1. LOCATE DIVIDER CLIPS EVERY 2.5'.
2. FIELD INSTALLED DIVIDER (SMS3000DIVF) AND DIVIDER CLIPS (SMS3000-DC) ARE EACH SOLD SEPARATELY.

FILENAME: 3200DIVF.DWG

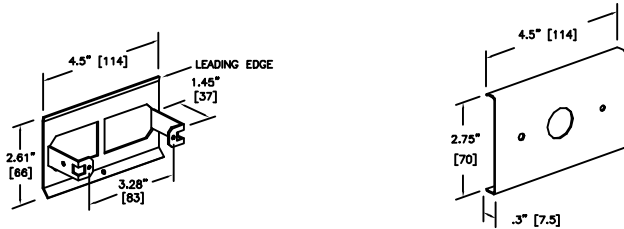


MONO-SYSTEMS, INC.
UNIQUE CABLE DISTRIBUTION SOLUTIONS
4 INTERNATIONAL DRIVE
RYE BROOK, NEW YORK 10573
PHONE: (914)-934-2075
FAX: (914)-934-2190

COVER PLATE OPTIONS

SCALE: NONE

STANDARD DIMENSIONS

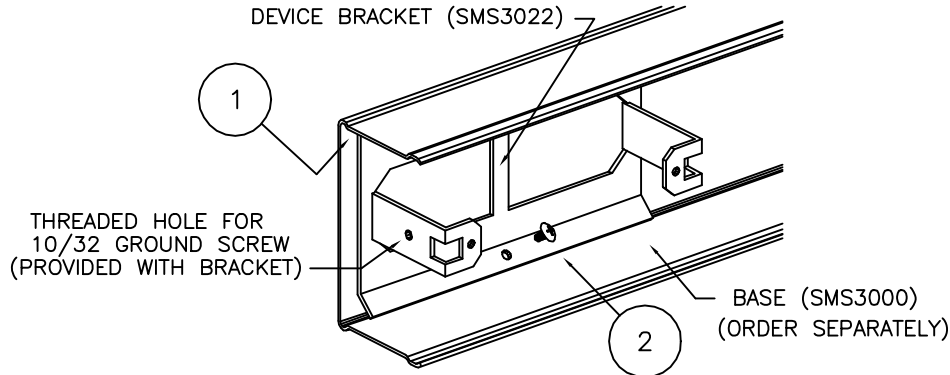


DEVICE BRACKET (SMS3022)
 FURNISHED WITH ALL PLATES

TYPICAL COVER – OVERALL DIMENSIONS
 (SMS3053 SHOWN)

AVAILABLE IN STANDARD GRAY OR IVORY
 (ADD "-I" SUFFIX TO SPECIFY IVORY)

DEVICE BRACKET (SMS3022)

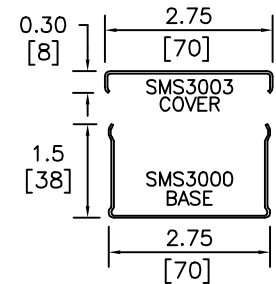


ASSEMBLY INSTRUCTIONS

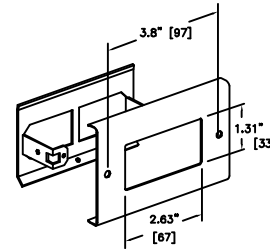
1. INSERT LEADING EDGE OF DEVICE BRACKET INTO AN INNER GROOVE OF THE SMS3000 BASE SECTION, AT THE DESIRED LOCATION FOR THE DEVICE.
2. USING ONE 6-32 x 5/16" SCREW SECURE THE DEVICE BRACKET TO THE BASE SECTION.
3. TERMINATE WIRING PER LOCAL CODES.
4. AFTER DEVICE(S) ARE SECURED PROPERLY TO BRACKET, COVER MAY BE SNAPPED OVER DEVICES.

FILENAME: SMS30CPO

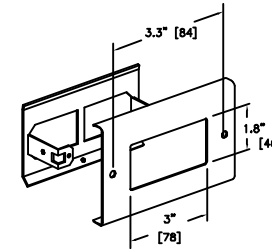
- DEVICE BRACKET (SMS3022)
- DESIGNER OUTLET (SMS3023)
- SINGLE RECEPTACLE (SMS3045)
- BLANK COVER (SMS3053)
- SWITCH PLATE (SMS3048)
- DUPLEX RECEPTACLE (SMS3046)
- EXTENSION PLATE (SMS3051)



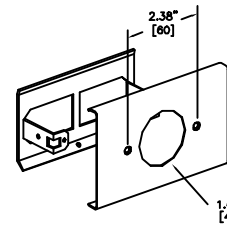
SMS3000 SERIES
 STEEL RACEWAY
 SECTION VIEW
 SCALE: NONE



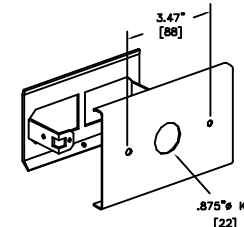
DESIGNER OUTLET (SMS3023)



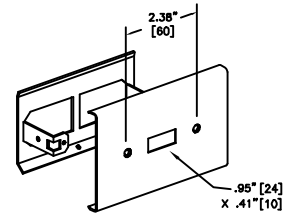
EXTENSION PLATE (SMS3051)



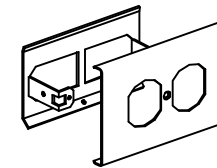
SINGLE RECT. (SMS3045)



BLANK COVER (SMS3053)



SWITCH PLATE (SMS3048)



DUPLEX RECEPTACLE (SMS3046)

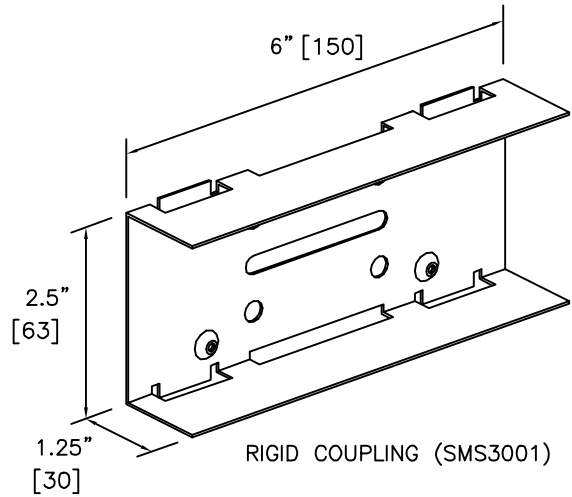


MONO-SYSTEMS, INC.
UNIQUE CABLE DISTRIBUTION SOLUTIONS
 4 INTERNATIONAL DRIVE
 RYE BROOK, NEW YORK 10573
 PHONE: (914)-934-2075
 FAX: (914)-934-2190

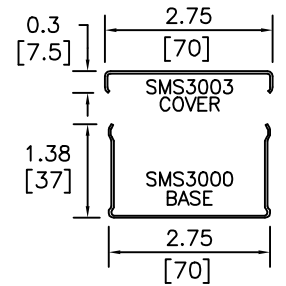
Mono-Systems, Inc.
Snap-Mark (tm)
SMS3000 SERIES

RIGID COUPLING (SMS3001)

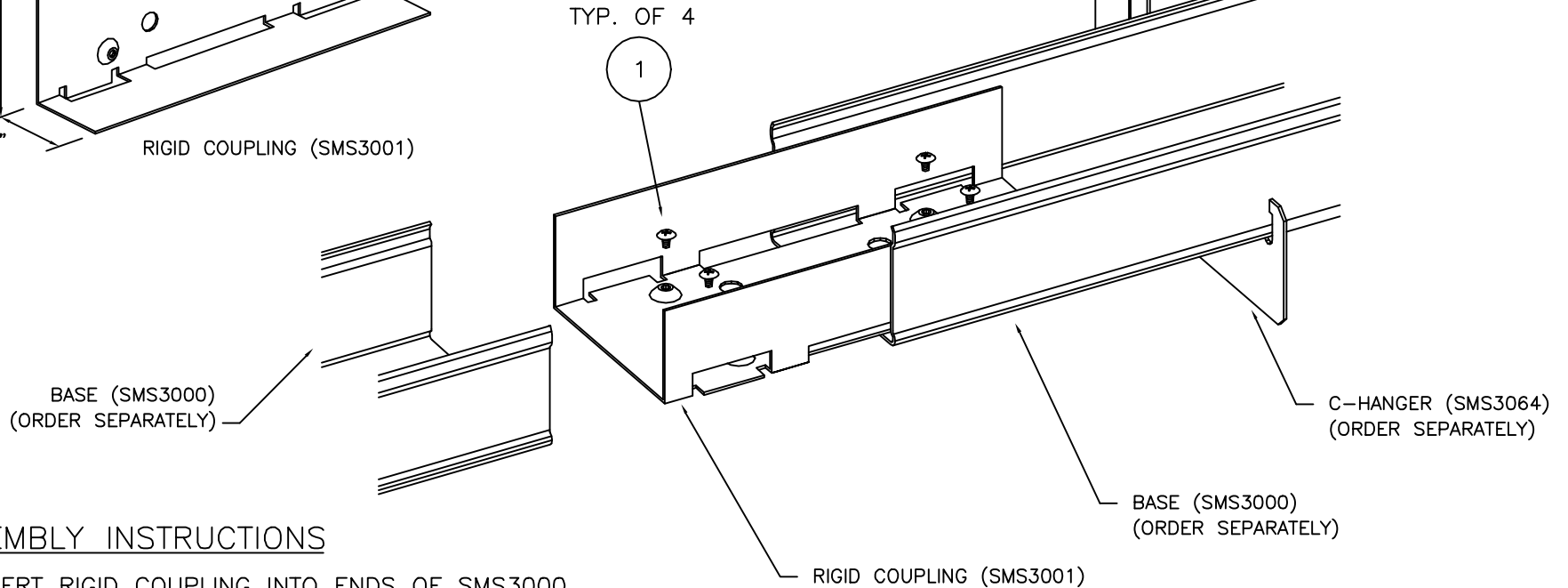
SCALE: NONE



- 1.) FOR CONNECTING BASE SECTIONS THAT ARE INSTALLED OVERHEAD
- 2.) MAY ALSO BE USED WITH WALL MOUNTED APPLICATIONS



SMS3000 SERIES
STEEL RACEWAY
SECTION VIEW
 SCALE: NONE



ASSEMBLY INSTRUCTIONS

1. INSERT RIGID COUPLING INTO ENDS OF SMS3000 BASE SECTIONS TO BE JOINED. SECURE IN PLACE USING FOUR 6-32 X 1/4" PAN HEAD SCREWS.

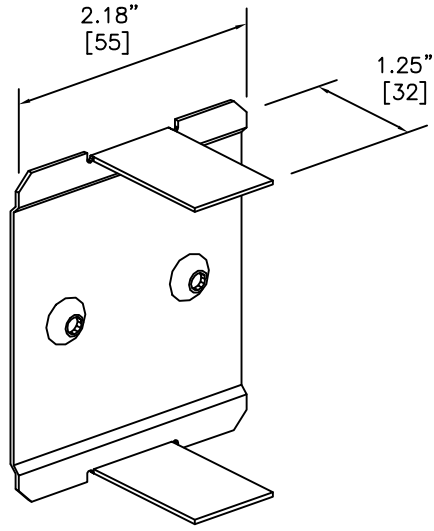


MONO-SYSTEMS, INC.
UNIQUE CABLE DISTRIBUTION SOLUTIONS
 4 INTERNATIONAL DRIVE
 RYE BROOK, NEW YORK 10573
 PHONE: (914)-934-2075
 FAX: (914)-934-2190

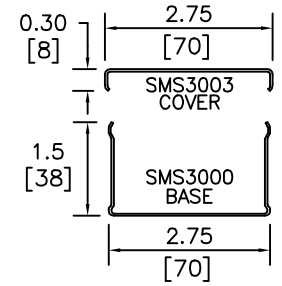
Mono-Systems, Inc.
Snap-Mark (tm)
SMS3000 SERIES

COUPLING (SMS3002)

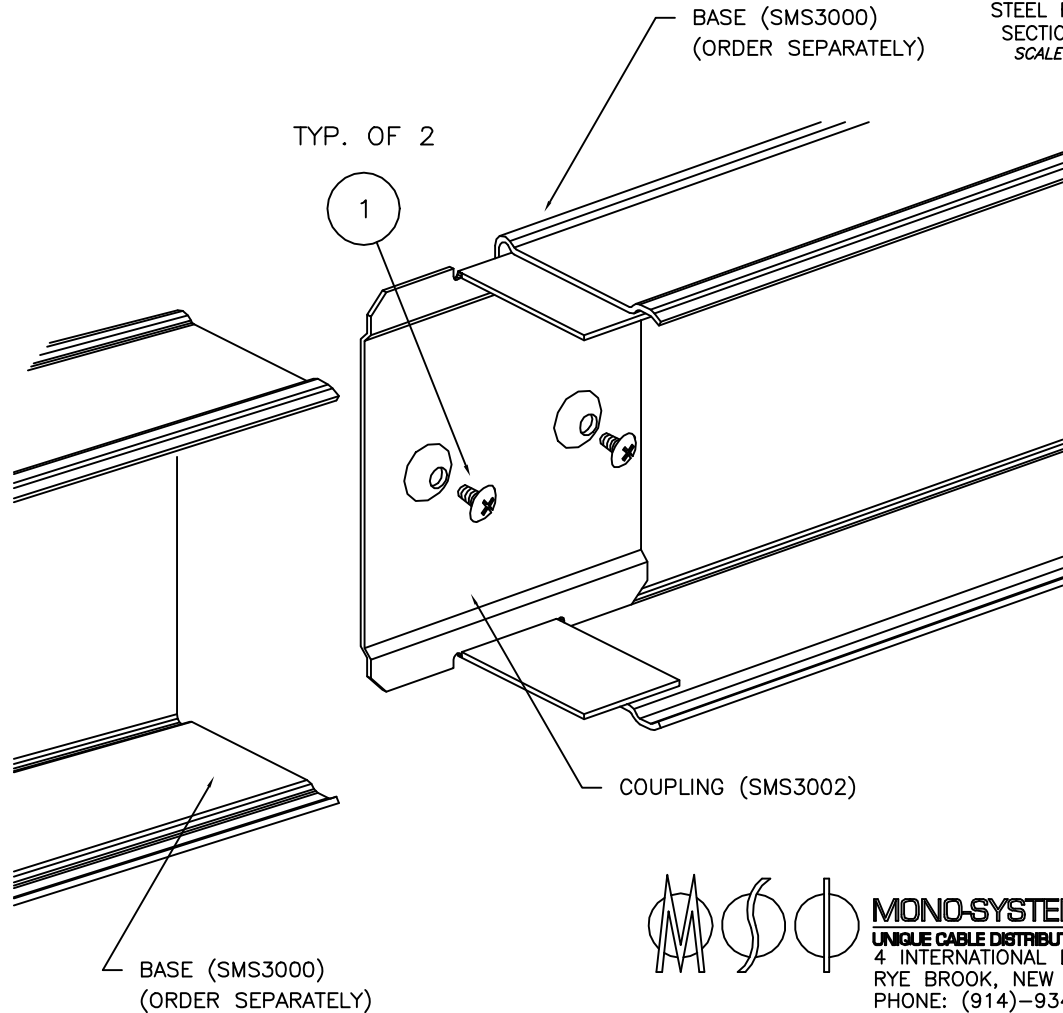
SCALE: NONE



COUPLING (SMS3002)



SMS3000 SERIES
 STEEL RACEWAY
 SECTION VIEW
 SCALE: NONE



ASSEMBLY INSTRUCTIONS

1. INSERT COUPLING INTO ENDS OF SMS3000 BASE SECTIONS TO BE JOINED. SECURE IN PLACE USING TWO 6-32 X 1/4" PAN HEAD SCREWS.

FILENAME: SMS3002



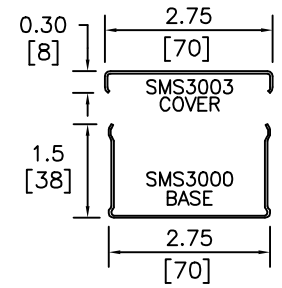
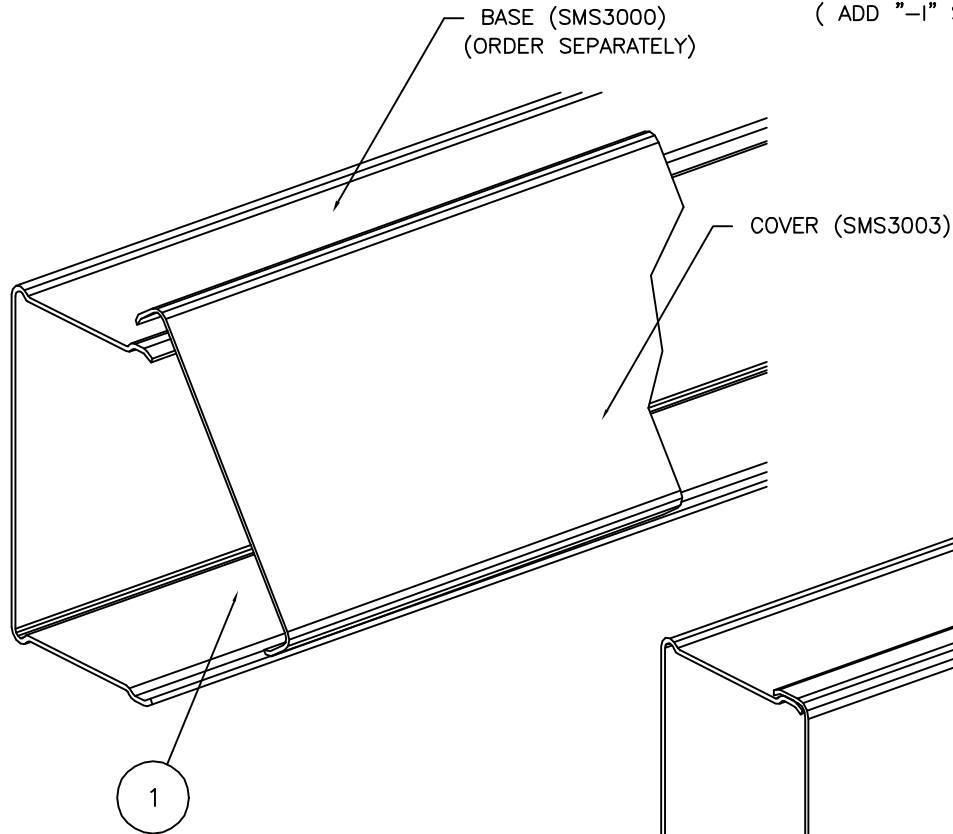
MONO-SYSTEMS, INC.
 UNIQUE CABLE DISTRIBUTION SOLUTIONS
 4 INTERNATIONAL DRIVE
 RYE BROOK, NEW YORK 10573
 PHONE: (914)-934-2075
 FAX: (914)-934-2190

Mono-Systems, Inc.
Snap-Mark (tm)
SMS3000 SERIES

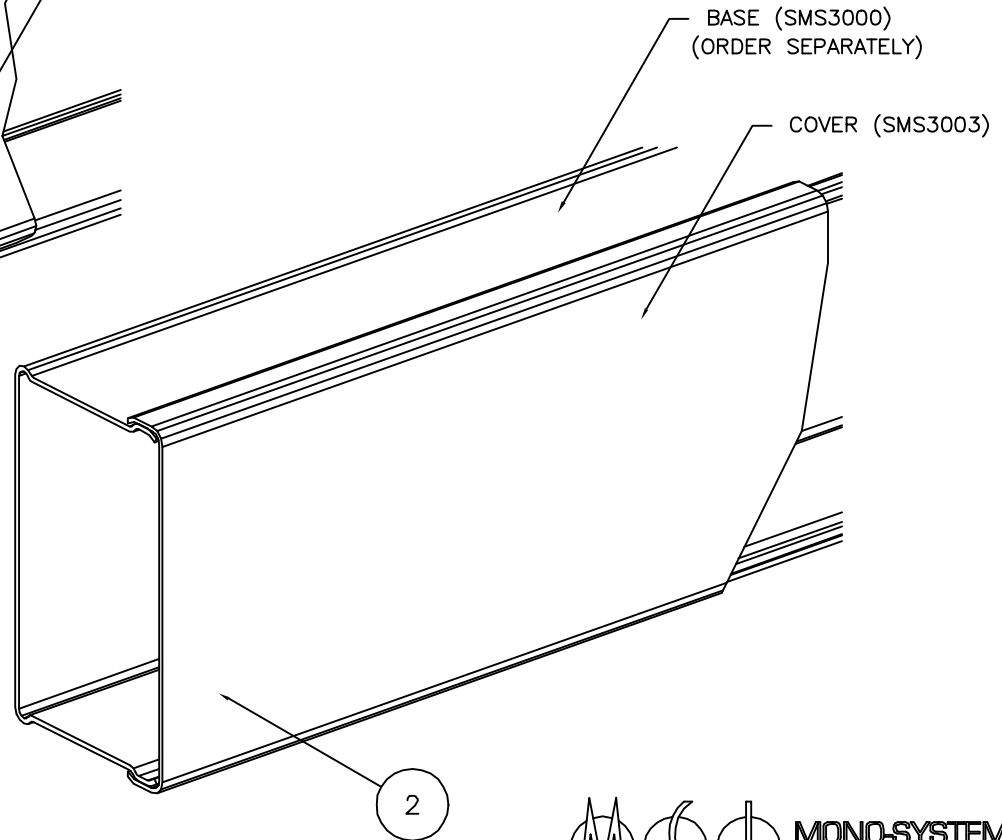
5' [1.5M] COVER SECTION (SMS3003)

SCALE: NONE

AVAILABLE IN STANDARD GRAY OR IVORY
(ADD "-I" SUFFIX TO SPECIFY IVORY)



SMS3000 SERIES
STEEL RACEWAY
SECTION VIEW
SCALE: NONE



ASSEMBLY INSTRUCTIONS

1. INSERT ONE EDGE OF COVER OVER LIP OF SMS3000 BASE.
2. FIRMLY PRESS COVER INTO PLACE ENSURING THAT BOTH SIDES ARE COMPLETELY SNAPPED OVER BASE SECTION.



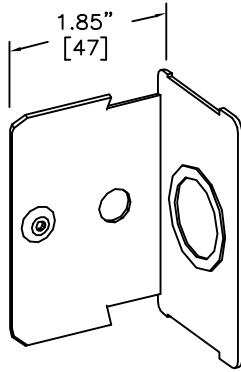
MONO-SYSTEMS, INC.
UNIQUE CABLE DISTRIBUTION SOLUTIONS
4 INTERNATIONAL DRIVE
RYE BROOK, NEW YORK 10573
PHONE: (914)-934-2075
FAX: (914)-934-2190

Mono-Systems, Inc.
Snap-Mark (tm)
SMS3000 SERIES

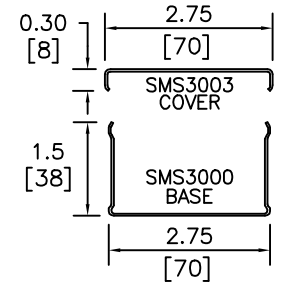
BLANK END FITTING (SMS3004)

SCALE: NONE

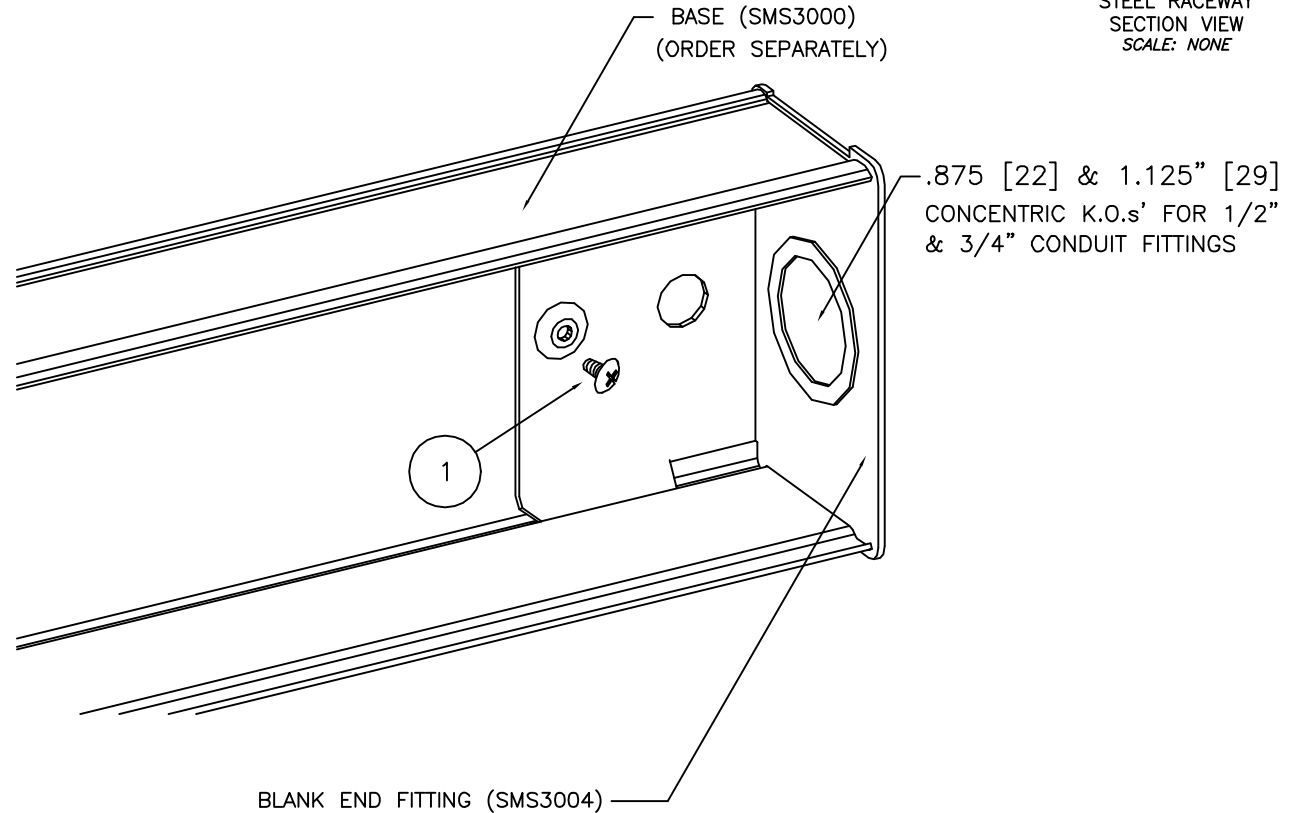
AVAILABLE IN STANDARD GRAY OR IVORY
(ADD "-I" SUFFIX TO SPECIFY IVORY)



BLANK END FITTING (SMS3004)



SMS3000 SERIES
STEEL RACEWAY
SECTION VIEW
SCALE: NONE



ASSEMBLY INSTRUCTIONS

1. INSERT BLANK END FULLY INTO SMS3000 BASE SECTION. SECURE WITH ONE 6-32 X 1/4" PAN HEAD SCREW.

FILENAME: SMS3004



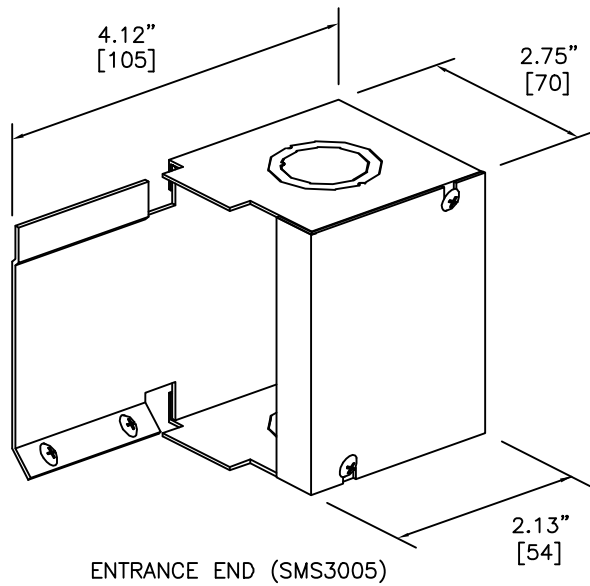
MONO-SYSTEMS, INC.
UNIQUE CABLE DISTRIBUTION SOLUTIONS
4 INTERNATIONAL DRIVE
RYE BROOK, NEW YORK 10573
PHONE: (914)-934-2075
FAX: (914)-934-2190

Mono-Systems, Inc.
Snap-Mark (tm)
SMS3000 SERIES

ENTRANCE END (SMS3005)

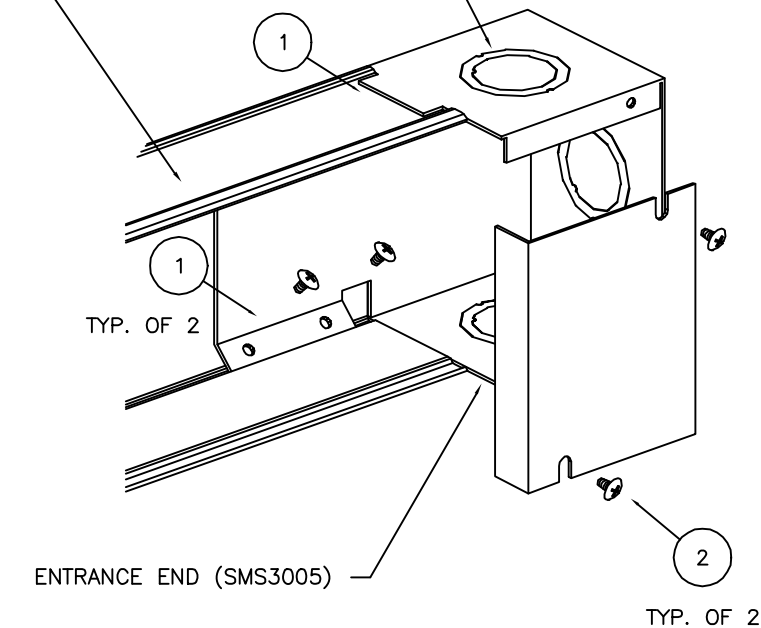
SCALE: NONE

AVAILABLE IN STANDARD GRAY OR IVORY
 (ADD "-I" SUFFIX TO SPECIFY IVORY)



∅ .875 [22] & 1.125 [29]
 CONCENTRIC K.O.s' (TYP. OF 3)

BASE (SMS3000)
 (ORDER SEPARATELY)



ASSEMBLY INSTRUCTIONS

1. SLIDE ENTRANCE END INTO END OF SMS3000 BASE SECTION AND SECURE WITH TWO 6-32 X 1/4" PAN HEAD SCREWS.
2. COVER IS SECURED TO ENTRANCE END WITH TWO 6/32 X 1/8" PAN HEAD SCREWS.

FILENAME: SMS3005

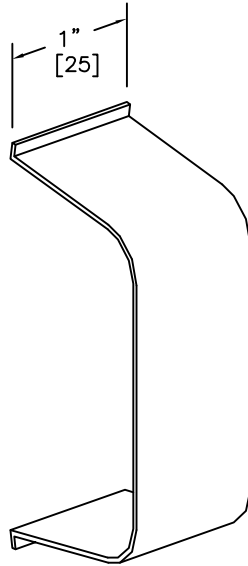


MONO-SYSTEMS, INC.
UNIQUE CABLE DISTRIBUTION SOLUTIONS
 4 INTERNATIONAL DRIVE
 RYE BROOK, NEW YORK 10573
 PHONE: (914)-934-2075
 FAX: (914)-934-2190

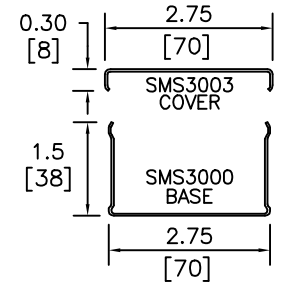
Mono-Systems, Inc.
Snap-Mark (tm)
SMS3000 SERIES

WIRE CLIP (SMS3006)

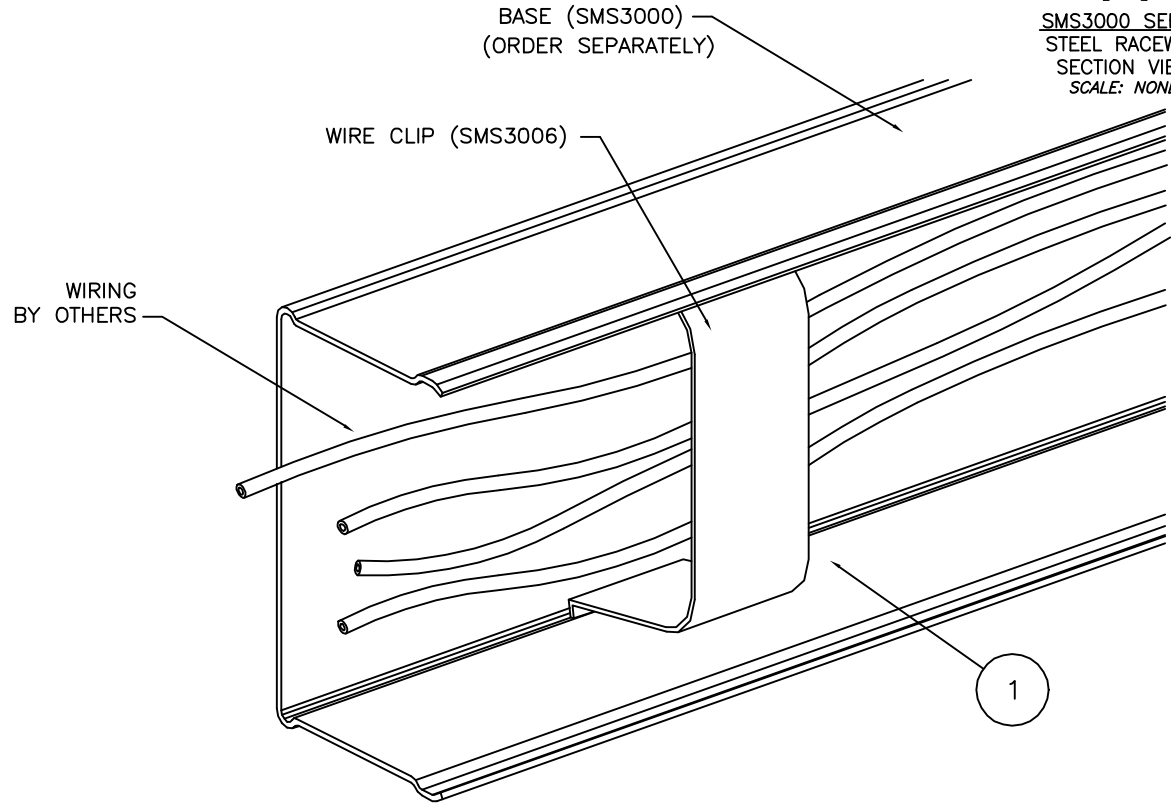
SCALE: NONE



WIRE CLIP (SMS3006)



SMS3000 SERIES
STEEL RACEWAY
SECTION VIEW
SCALE: NONE



ASSEMBLY INSTRUCTIONS

1. AFTER INSTALLATION OF WIRING;
FIRMLY PRESS WIRE CLIP INTO
INNER GROOVES OF SMS3000 BASE
ENSURING THAT BOTH ENDS OF CLIP ARE
COMPLETELY WITHIN GROOVES OF BASE SECTION.



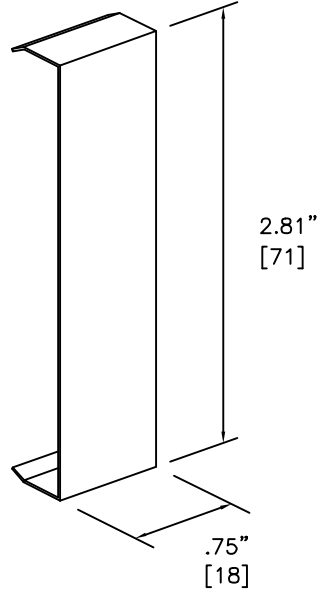
MONO-SYSTEMS, INC.
UNIQUE CABLE DISTRIBUTION SOLUTIONS
4 INTERNATIONAL DRIVE
RYE BROOK, NEW YORK 10573
PHONE: (914)-934-2075
FAX: (914)-934-2190

Mono-Systems, Inc.
Snap-Mark (tm)
SMS3000 SERIES

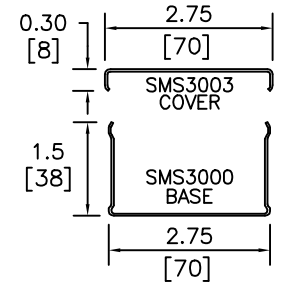
COVER CLIP (SMS3007)

SCALE: NONE

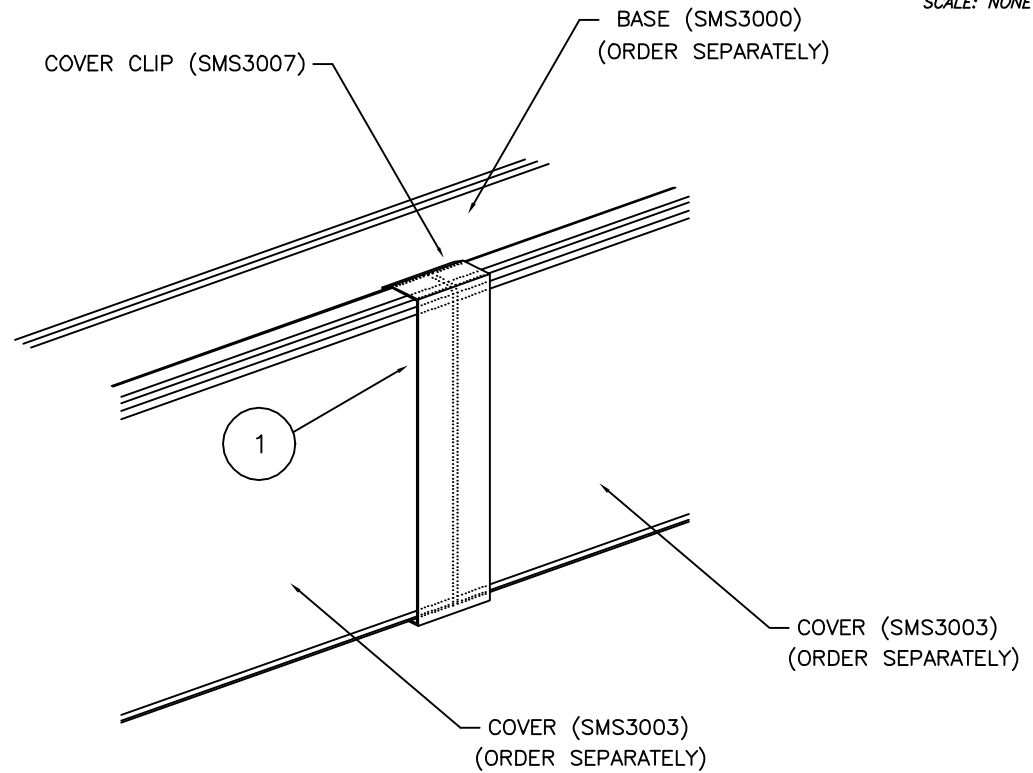
AVAILABLE IN STANDARD GRAY OR IVORY
 (ADD "-I" SUFFIX TO SPECIFY IVORY)



COVER CLIP (SMS3007)



SMS3000 SERIES
 STEEL RACEWAY
 SECTION VIEW
 SCALE: NONE



ASSEMBLY INSTRUCTIONS

1. POSITION COVER CLIP OVER GAPS BETWEEN ADJOINING COVER SECTIONS, AND SNAP INTO PLACE.

FILENAME: SMS3007



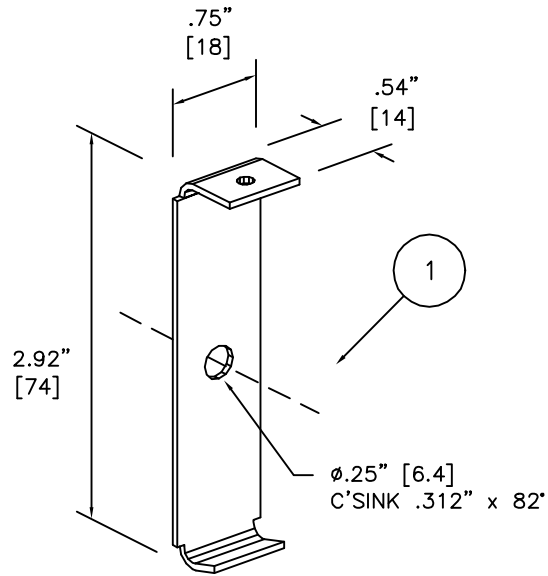
MONO-SYSTEMS, INC.
 UNIQUE CABLE DISTRIBUTION SOLUTIONS
 4 INTERNATIONAL DRIVE
 RYE BROOK, NEW YORK 10573
 PHONE: (914)-934-2075
 FAX: (914)-934-2190

Mono-Systems, Inc.
Snap-Mark (tm)
SMS3200 SERIES

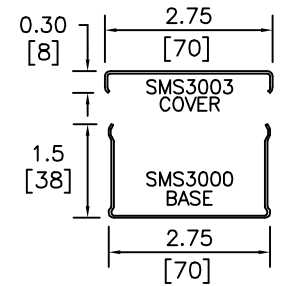
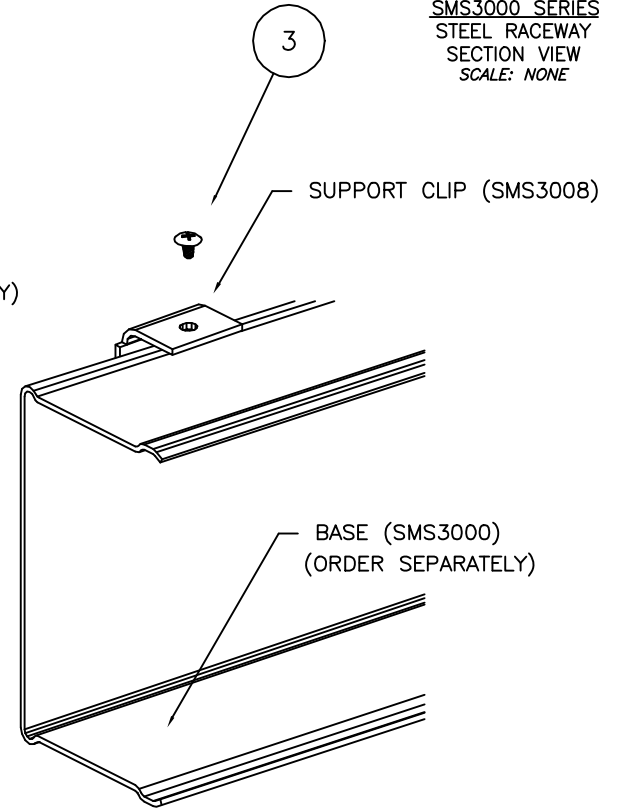
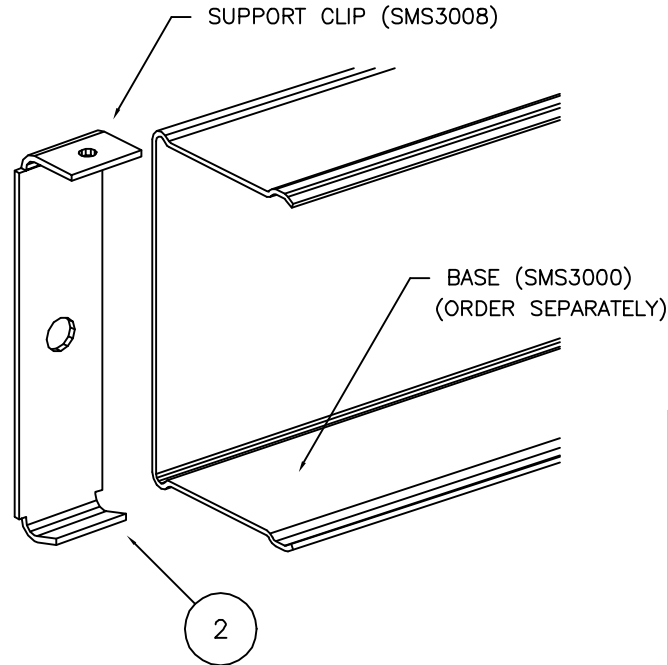
SUPPORT CLIP (SMS3008)

SCALE: NONE

AVAILABLE IN STANDARD GRAY OR IVORY
 (ADD "-I" SUFFIX TO SPECIFY IVORY)



SUPPORT CLIP (SMS3008)



SMS3000 SERIES
STEEL RACEWAY
SECTION VIEW
 SCALE: NONE

ASSEMBLY INSTRUCTIONS

1. LOCATE SUPPORT CLIP IN DESIRED LOCATION AND SECURE INTO STRUCTURAL MEMBER USING APPROPRIATE COUNTERSUNK FASTENER. (BY OTHERS)
2. INSERT SMS3000 BASE SECTION INTO SUPPORT CLIP.
3. SECURE IN PLACE WITH 8-32 x 1/4 PAN HEAD SCREW THROUGH THREADED HOLE.

FILENAME: SMS3008



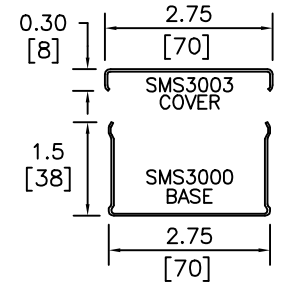
MONO-SYSTEMS, INC.
UNIQUE CABLE DISTRIBUTION SOLUTIONS
 4 INTERNATIONAL DRIVE
 RYE BROOK, NEW YORK 10573
 PHONE: (914)-934-2075
 FAX: (914)-934-2190

Mono-Systems, Inc.
Snap-Mark (tm)
SMS3000 SERIES

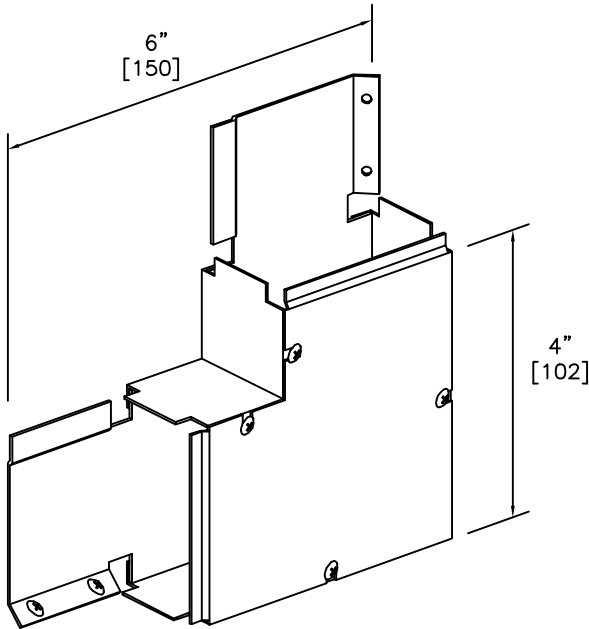
90° FLAT ELBOW (SMS3009)

SCALE: NONE

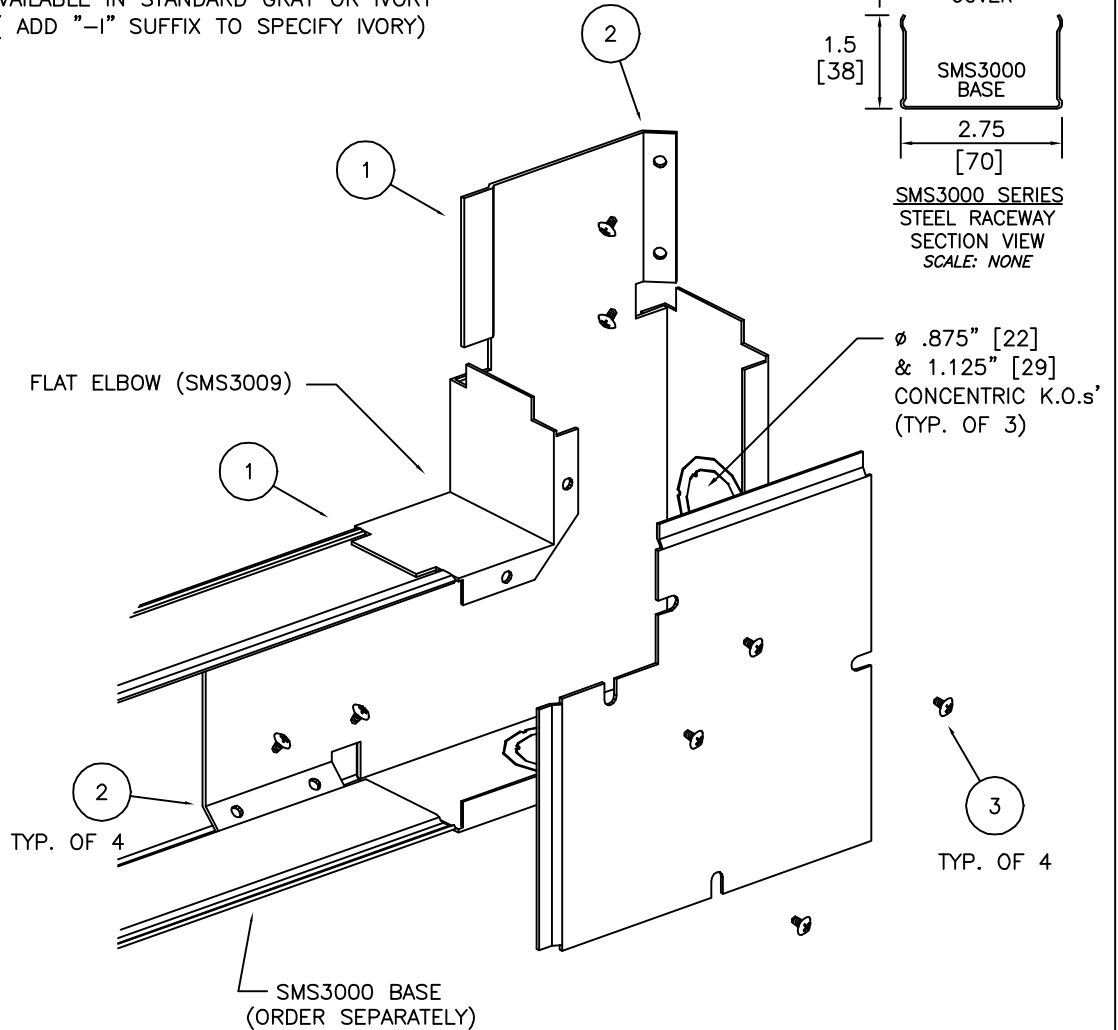
AVAILABLE IN STANDARD GRAY OR IVORY
 (ADD "-I" SUFFIX TO SPECIFY IVORY)



SMS3000 SERIES
STEEL RACEWAY
SECTION VIEW
 SCALE: NONE



FLAT ELBOW (SMS3009)



ASSEMBLY INSTRUCTIONS

1. INSERT 90° FLAT ELBOW INTO ENDS OF SMS3000 BASE SECTIONS.
2. SECURE ELBOW TO BASE SECTION USING TWO 6-32 X 1/4" PAN HEAD SCREWS.
3. FOUR 6-32 X 1/8" PAN HEAD SCREWS ARE USED TO SECURE COVER TO FLAT ELBOW.



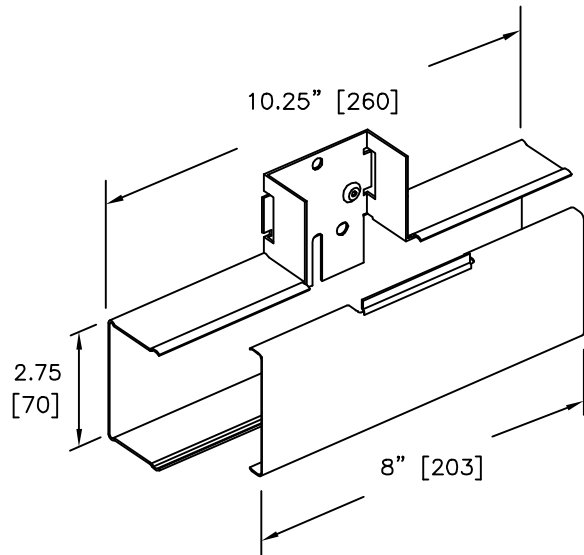
MONO-SYSTEMS, INC.
UNIQUE CABLE DISTRIBUTION SOLUTIONS
 4 INTERNATIONAL DRIVE
 RYE BROOK, NEW YORK 10573
 PHONE: (914)-934-2075
 FAX: (914)-934-2190

Mono-Systems, Inc.
Snap-Mark (tm)
SMS3000 SERIES

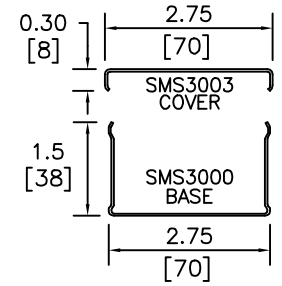
TEE (SMS3010)

SCALE: NONE

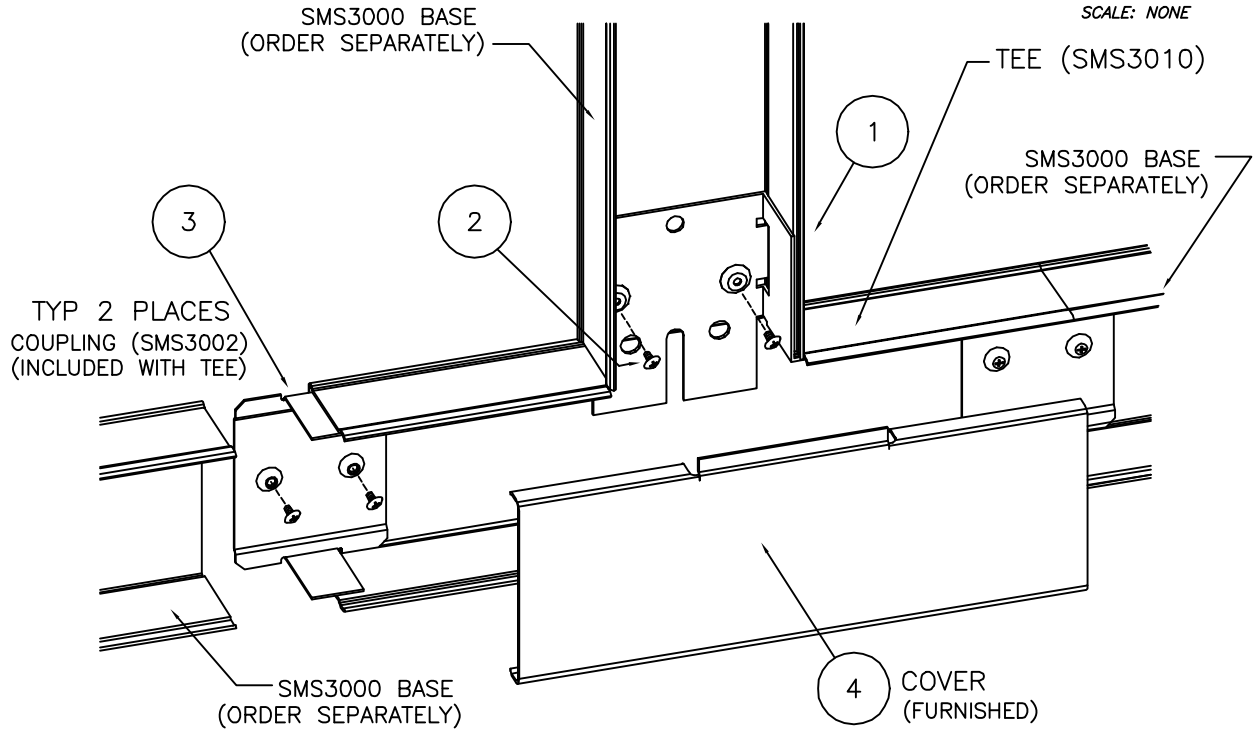
AVAILABLE IN STANDARD GRAY OR IVORY
 (ADD "-I" SUFFIX TO SPECIFY IVORY)



TEE (SMS3010)



SMS3000 SERIES
 STEEL RACEWAY
 SECTION VIEW
 SCALE: NONE



TYP 2 PLACES
 COUPLING (SMS3002)
 (INCLUDED WITH TEE)

ASSEMBLY INSTRUCTIONS

1. SLIDE TEE COUPLING INTO DESIRED END OF SMS3000 BASE SECTION.
2. SECURE TEE TO BASE SECTION USING TWO 6-32 X 1/4" PAN HEAD SCREWS.
3. USING SUPPLIED COUPLINGS (SMS3202) SECURE TEE TO REMAINING BASE SECTIONS TO BE JOINED.
4. SNAP COVER IN PLACE.



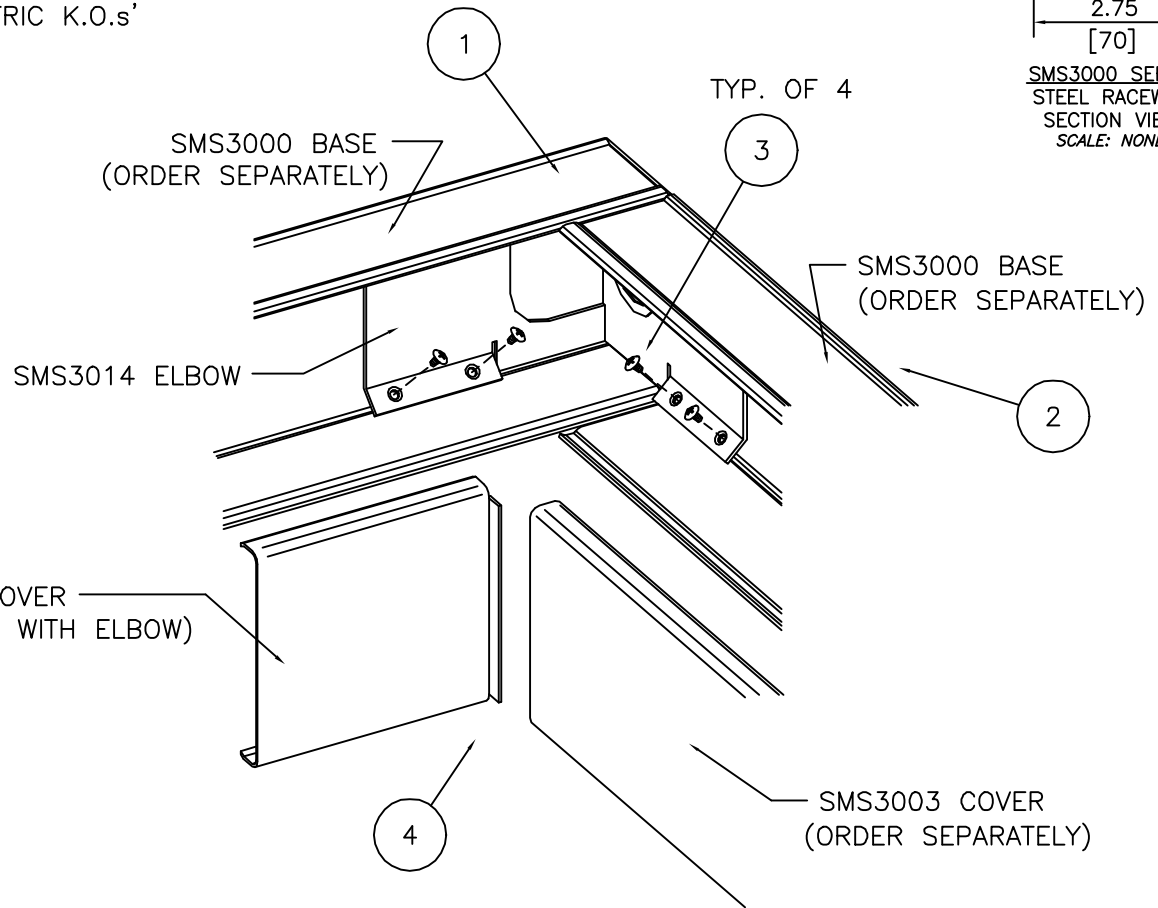
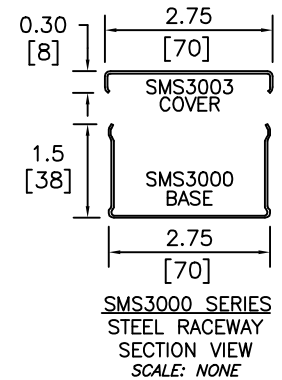
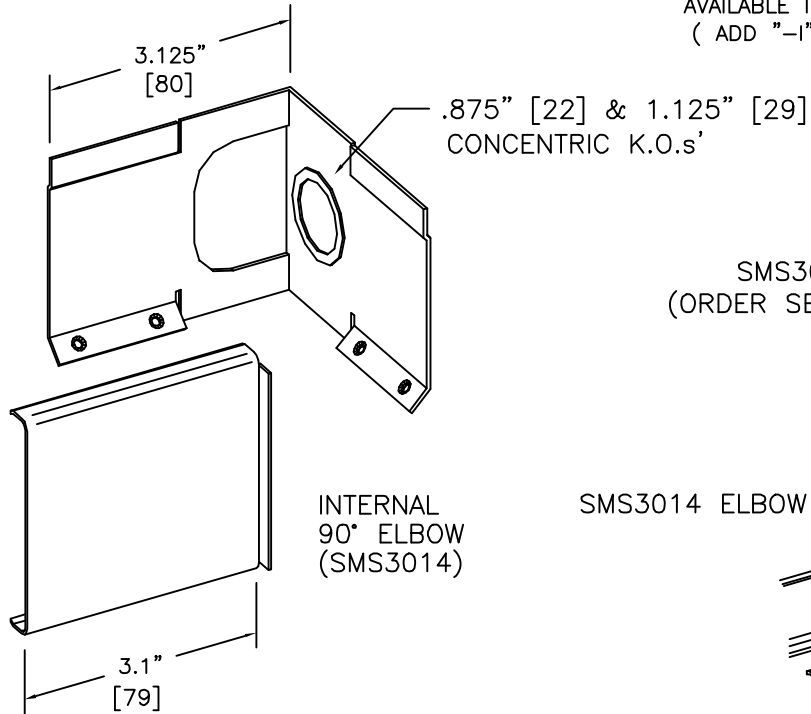
MONO-SYSTEMS, INC.
UNIQUE CABLE DISTRIBUTION SOLUTIONS
 4 INTERNATIONAL DRIVE
 RYE BROOK, NEW YORK 10573
 PHONE: (914)-934-2075
 FAX: (914)-934-2190

Mono-Systems, Inc.
Snap-Mark (tm)
SMS3000 SERIES

90° INTERNAL ELBOW (SMS3014)

SCALE: NONE

AVAILABLE IN STANDARD GRAY OR IVORY
 (ADD "-I" SUFFIX TO SPECIFY IVORY)



ASSEMBLY INSTRUCTIONS

1. INSERT INTERNAL 90° ELBOW INTO END OF SMS3000 BASE SECTION.
2. SLIDE OTHER SMS3200 BASE SECTION INTO INTERNAL 90° ELBOW.
3. SECURE ELBOW TO BASE SECTION USING FOUR 6-32 X 1/4" PAN HEAD SCREWS.
4. SNAP SMS3014 COVER INTO PLACE.

FILENAME: SMS3014



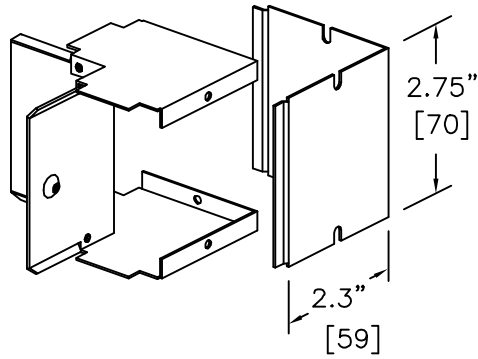
MONO-SYSTEMS, INC.
UNIQUE CABLE DISTRIBUTION SOLUTIONS
 4 INTERNATIONAL DRIVE
 RYE BROOK, NEW YORK 10573
 PHONE: (914)-934-2075
 FAX: (914)-934-2190

Mono-Systems, Inc.
Snap-Mark (tm)
SMS3000 SERIES

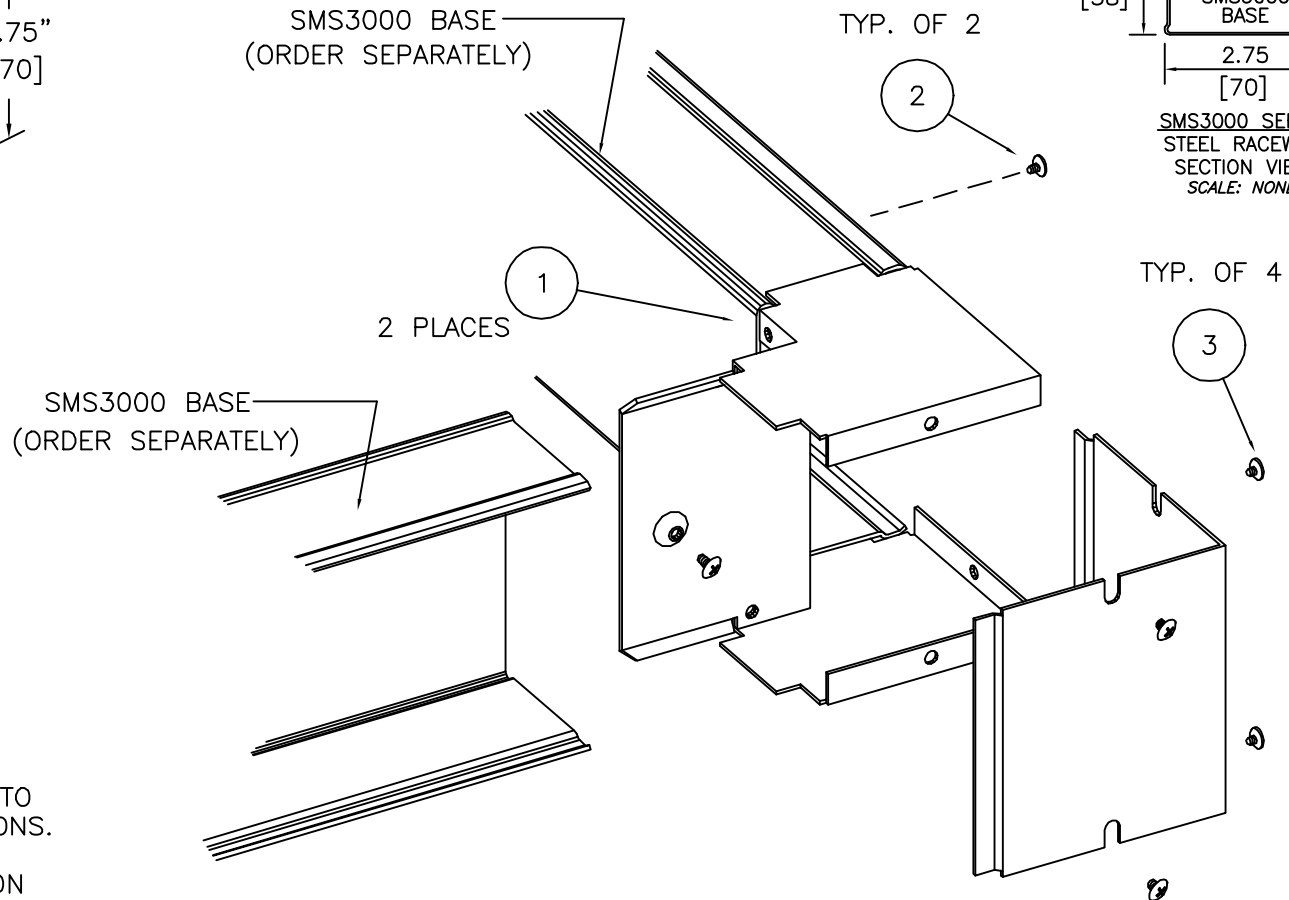
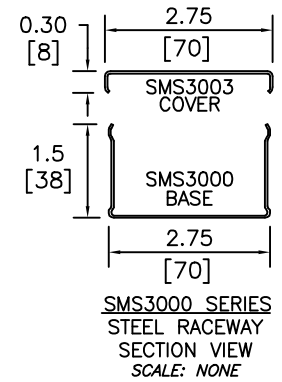
90° EXTERNAL ELBOW (SMS3018)

SCALE: NONE

AVAILABLE IN STANDARD GRAY OR IVORY
 (ADD "-I" SUFFIX TO SPECIFY IVORY)



EXTERNAL 90° ELBOW
 (SMS3018)



ASSEMBLY INSTRUCTIONS

1. INSERT EXTERNAL 90° ELBOW INTO ENDS OF SMS3000 BASE SECTIONS.
2. SECURE ELBOW TO BASE SECTION USING FOUR 6-32 X 1/4" PAN HEAD SCREWS.
3. SECURE ELBOW COVER IN PLACE USING FOUR 6-32 X 1/8" PAN HEAD SCREWS.

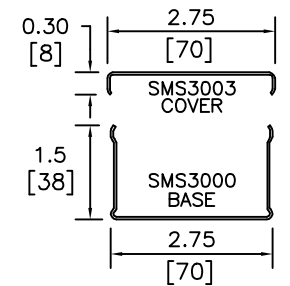


MONO-SYSTEMS, INC.
 UNIQUE CABLE DISTRIBUTION SOLUTIONS
 4 INTERNATIONAL DRIVE
 RYE BROOK, NEW YORK 10573
 PHONE: (914)-934-2075
 FAX: (914)-934-2190

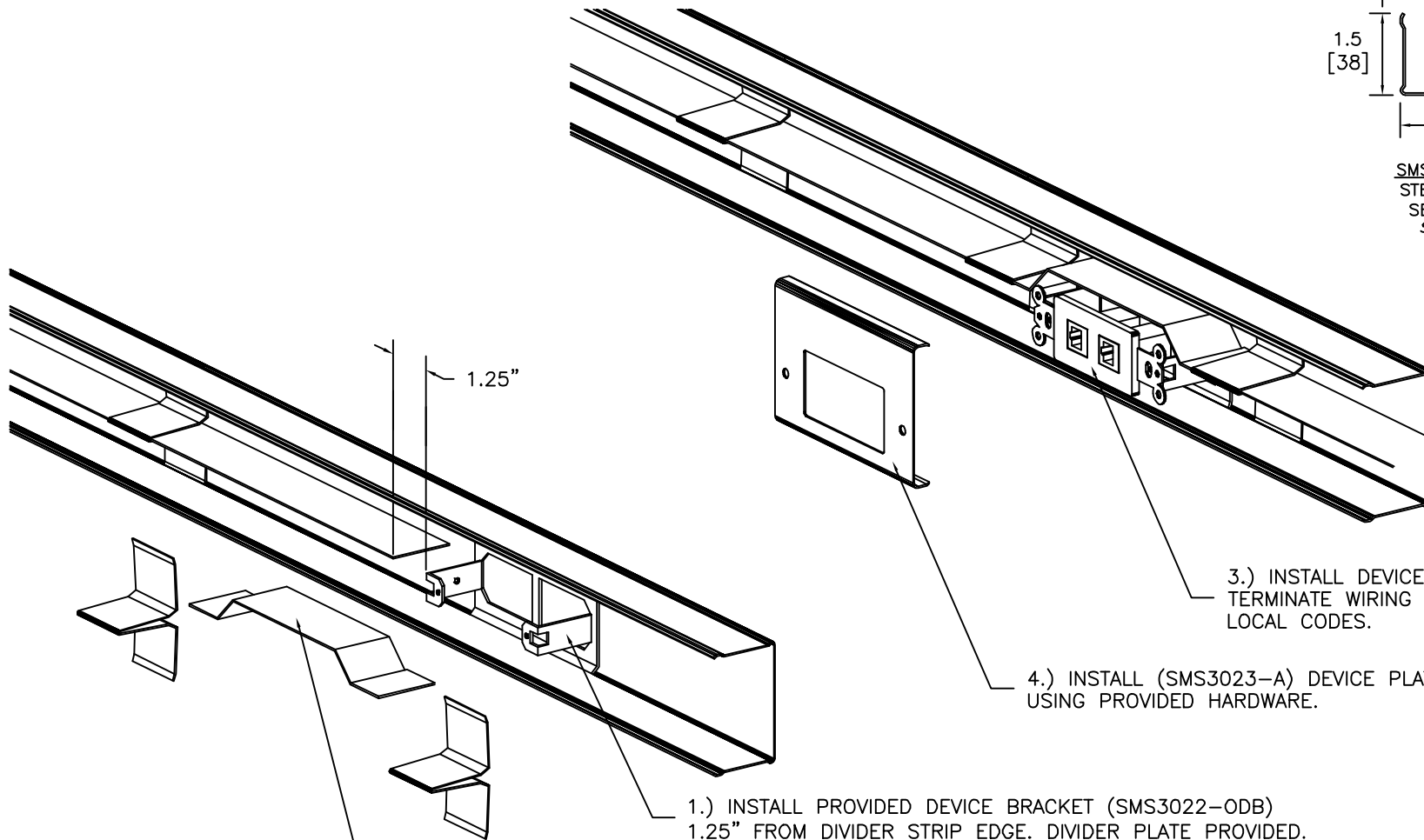
Mono-Systems, Inc.
Snap-Mark (tm)
SMS3000 SERIES

OFFSET DECOR DEVICE PLATE (SMS3023-A)
 (SMS3022-ODB) OFFSET DEVICE BRACKET PROVIDED.

SCALE: NONE



SMS3000 SERIES
 STEEL RACEWAY
 SECTION VIEW
 SCALE: NONE



3.) INSTALL DEVICE (BY OTHERS)
 TERMINATE WIRING PER NEC AND
 LOCAL CODES.

4.) INSTALL (SMS3023-A) DEVICE PLATE
 USING PROVIDED HARDWARE.

1.) INSTALL PROVIDED DEVICE BRACKET (SMS3022-ODB)
 1.25" FROM DIVIDER STRIP EDGE. DIVIDER PLATE PROVIDED.

2.) HOLD DEVICE BRACKET DIVIDER PLATE
 IN PLACE USING TWO (SMS3000-DC) DIVIDER CLIPS.
 (ORDERED SEPARATELY)

NOTE: SMS3000 BASE, FIELD INSTALLED DIVIDER (SMS3000DIVF) AND
 DIVIDER CLIPS (SMS3000-DC) ARE EACH SOLD SEPARATELY.

FILENAME: 3200DIVF.DWG



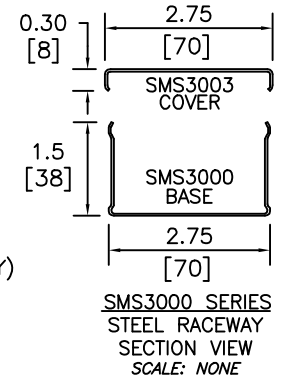
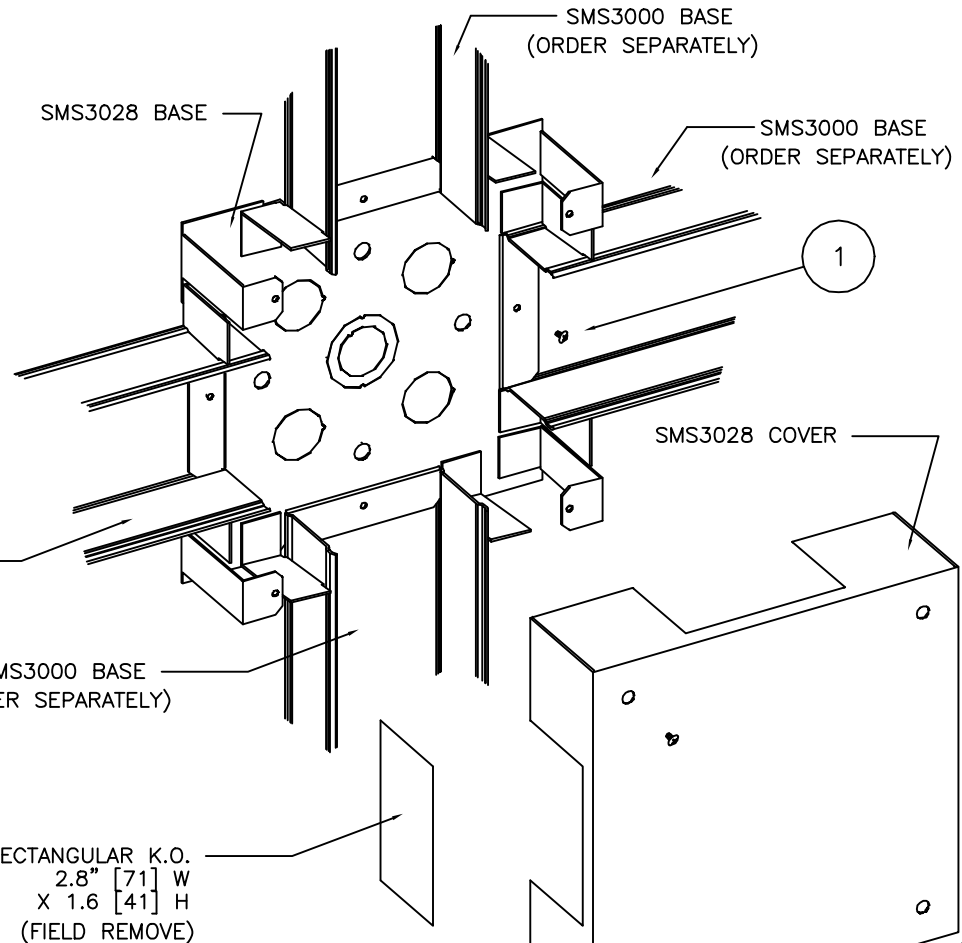
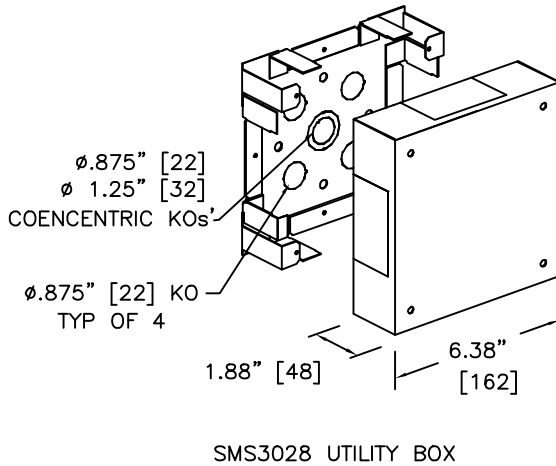
MONO-SYSTEMS, INC.
UNIQUE CABLE DISTRIBUTION SOLUTIONS
 4 INTERNATIONAL DRIVE
 RYE BROOK, NEW YORK 10573
 PHONE: (914)-934-2075
 FAX: (914)-934-2190

Mono-Systems, Inc.
Snap-Mark (tm)
SMS3000 SERIES

UTILITY BOX (SMS3028)

SCALE: NONE

AVAILABLE IN STANDARD GRAY OR IVORY
 (ADD "-I" SUFFIX TO SPECIFY IVORY)



ASSEMBLY INSTRUCTIONS

1. INSERT BASE SECTION(S) UNDER DESIRED ATTACHMENT TABS OF THE SMS3028. SECURE BASE SECTIONS TO THE SMS3028 USING 6-32 x 1/4" PAN HEAD SCREWS.
2. REMOVE APPROPRIATE RECTANGULAR K.O.s' AND FASTEN SMS3028 COVER USING (4 QTY) 6-32 x 1/8" PAN HEAD SCREWS.

FILENAME: SMS3028



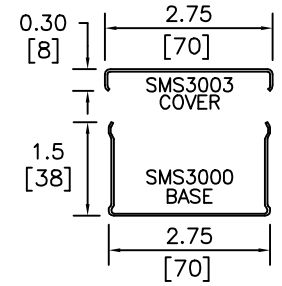
MONO-SYSTEMS, INC.
 UNIQUE CABLE DISTRIBUTION SOLUTIONS
 4 INTERNATIONAL DRIVE
 RYE BROOK, NEW YORK 10573
 PHONE: (914)-934-2075
 FAX: (914)-934-2190

Mono-Systems, Inc.
Snap-Mark (tm)
SMS3000 SERIES

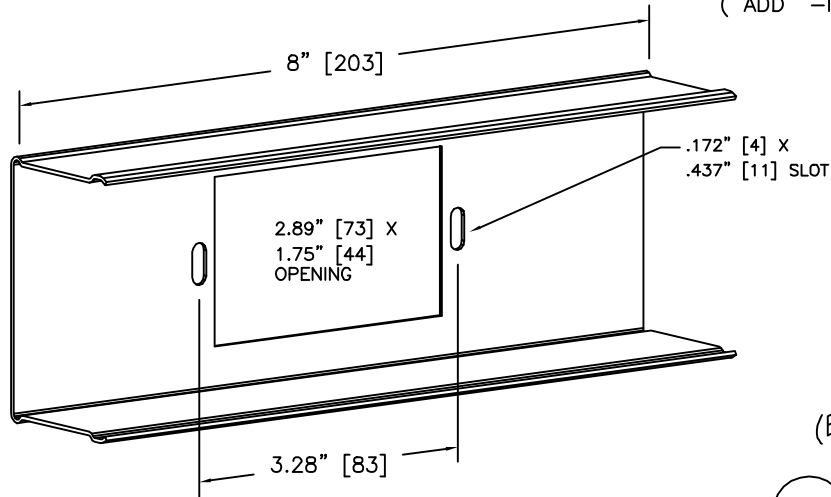
WALL BOX (SMS3030)

SCALE: NONE

AVAILABLE IN STANDARD GRAY OR IVORY
 (ADD "-I" SUFFIX TO SPECIFY IVORY)



SMS3000 SERIES
STEEL RACEWAY
SECTION VIEW
 SCALE: NONE



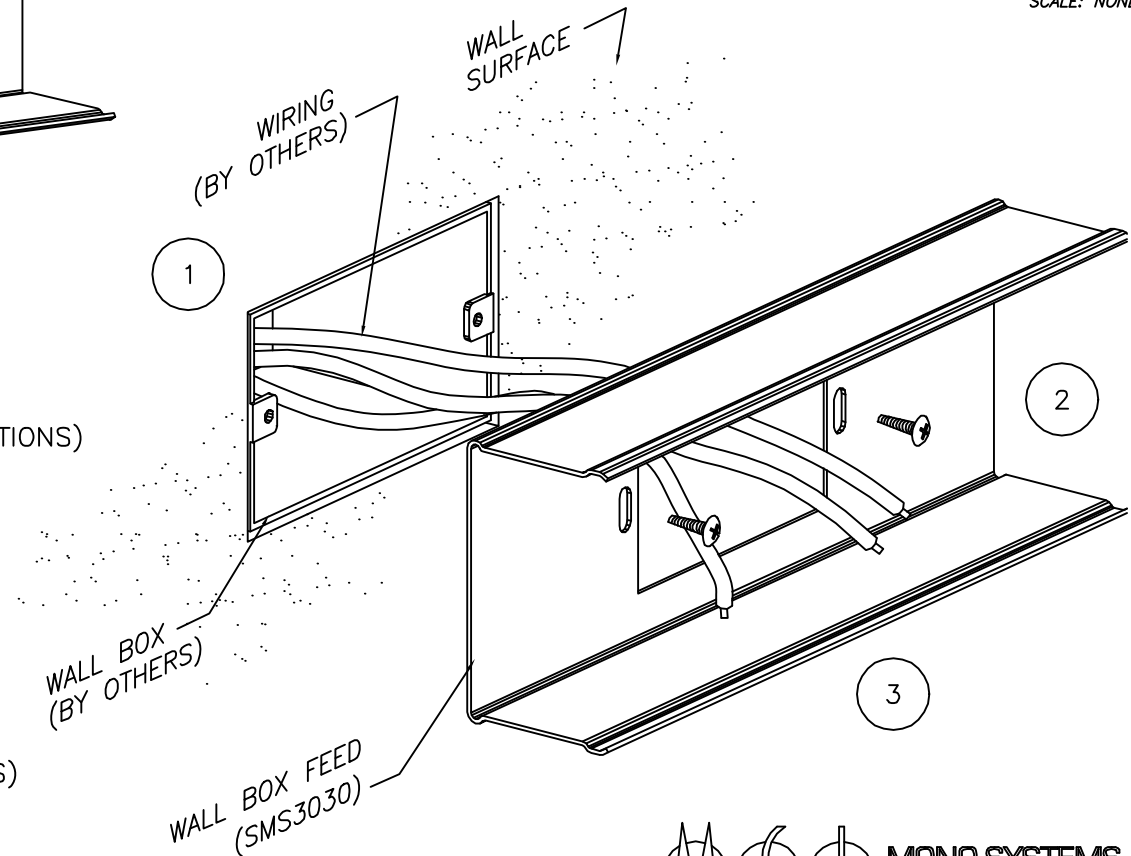
ORDER SPLICE CONNECTORS SEPARATELY

P/N: SMS3002

P/N: SMS3001 (FOR SUSPENDED APPLICATIONS)

ASSEMBLY INSTRUCTIONS

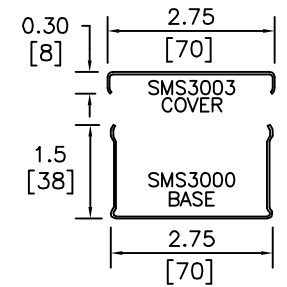
1. PULL WIRING THROUGH OPENING OF SMS3030 WALL BOX.
2. SECURE WALL BOX FEED TO WALL BOX WITH TWO 6-32 OVAL HEAD SCREWS. (SUPPLIED BY OTHERS)
3. TERMINATE AND ENCLOSE ALL WIRING PER NEC AND LOCAL CODES.



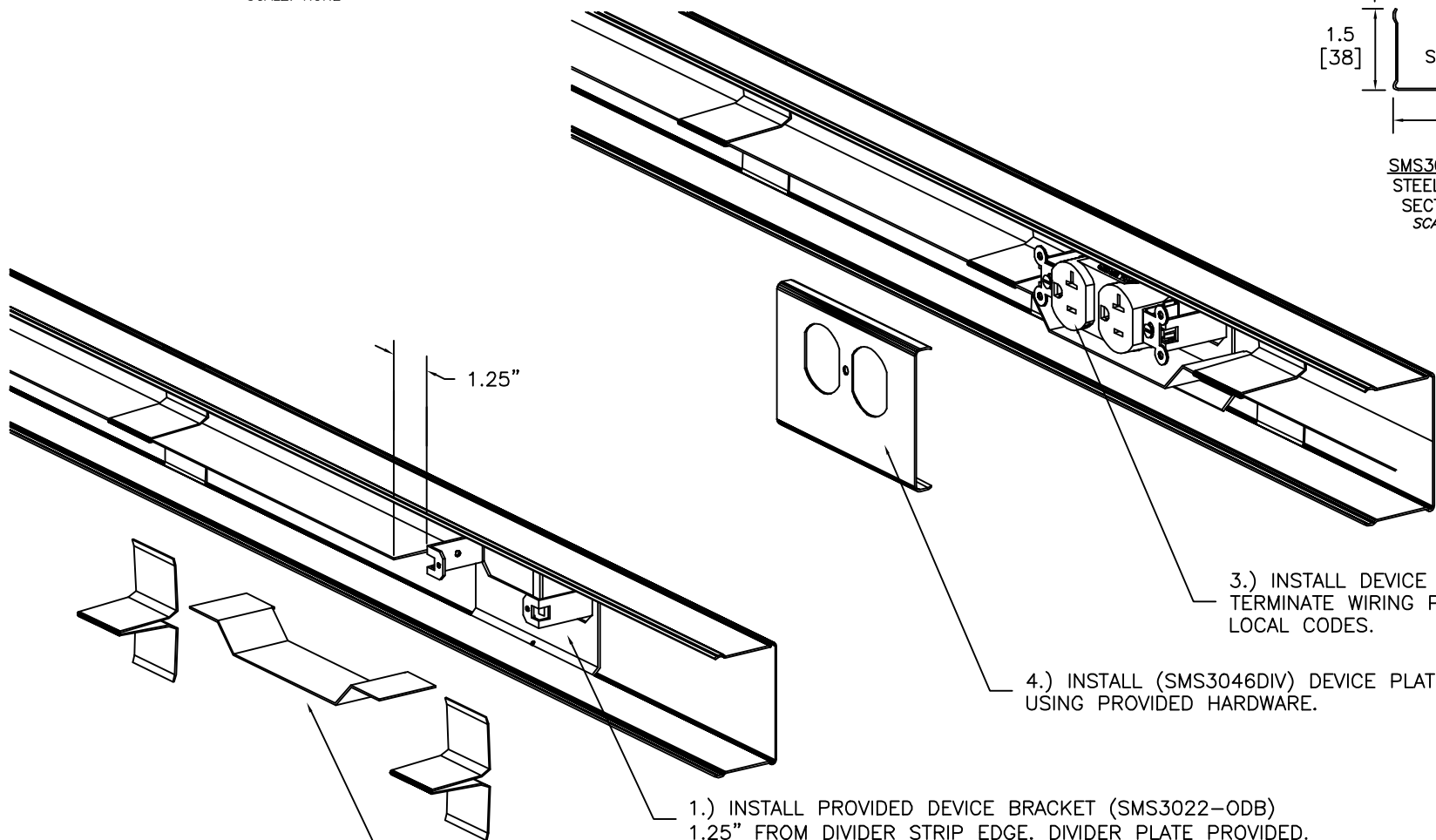
MONO-SYSTEMS, INC.
UNIQUE CABLE DISTRIBUTION SOLUTIONS
 4 INTERNATIONAL DRIVE
 RYE BROOK, NEW YORK 10573
 PHONE: (914)-934-2075
 FAX: (914)-934-2190

Mono-Systems, Inc.
Snap-Mark (tm)
SMS3000 SERIES

OFFSET DUPLEX DEVICE PLATE (SMS3046DIV)
 (SMS3022-ODB) OFFSET DEVICE BRACKET PROVIDED.
 SCALE: NONE



SMS3000 SERIES
 STEEL RACEWAY
 SECTION VIEW
 SCALE: NONE



3.) INSTALL DEVICE (BY OTHERS)
 TERMINATE WIRING PER NEC AND
 LOCAL CODES.

4.) INSTALL (SMS3046DIV) DEVICE PLATE
 USING PROVIDED HARDWARE.

1.) INSTALL PROVIDED DEVICE BRACKET (SMS3022-ODB)
 1.25" FROM DIVIDER STRIP EDGE. DIVIDER PLATE PROVIDED.

2.) HOLD DEVICE BRACKET DIVIDER PLATE
 IN PLACE USING TWO (SMS3000-DC) DIVIDER CLIPS.
 (ORDERED SEPARATELY)

NOTE: SMS3000 BASE, FIELD INSTALLED DIVIDER (SMS3000DIVF) AND
 DIVIDER CLIPS (SMS3000-DC) ARE EACH SOLD SEPARATELY.

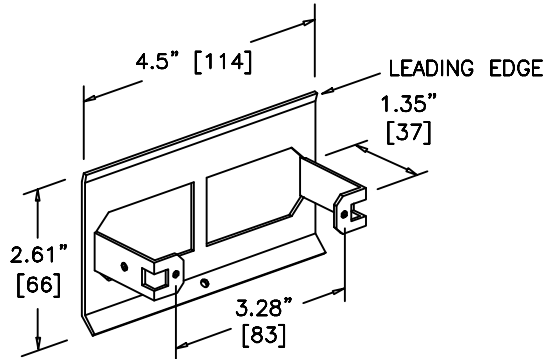
FILENAME: SMS3046-A.DWG



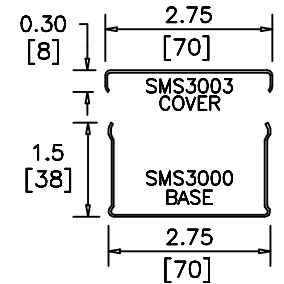
MONO-SYSTEMS, INC.
UNIQUE CABLE DISTRIBUTION SOLUTIONS
 4 INTERNATIONAL DRIVE
 RYE BROOK, NEW YORK 10573
 PHONE: (914)-934-2075
 FAX: (914)-934-2190

DEVICE BRACKET (SMS3022)

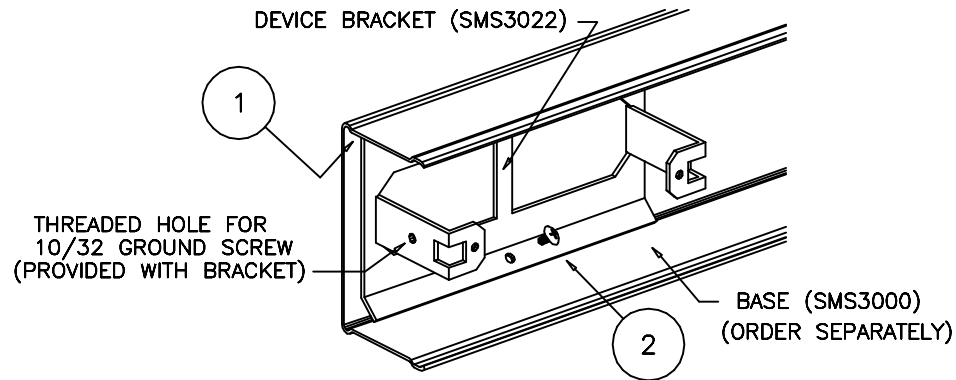
SCALE: NONE



DEVICE BRACKET (SMS3022)
FURNISHED WITH ALL PLATES



SMS3000 SERIES
STEEL RACEWAY
SECTION VIEW
SCALE: NONE



ASSEMBLY INSTRUCTIONS

1. INSERT LEADING EDGE OF DEVICE BRACKET INTO AN INNER GROOVE OF THE SMS3000 BASE SECTION, AT THE DESIRED LOCATION FOR THE DEVICE.
2. USING ONE 6-32 x 5/16" SCREW SECURE THE DEVICE BRACKET TO THE BASE SECTION.
3. TERMINATE WIRING PER LOCAL CODES.
4. AFTER DEVICE(S) ARE SECURED PROPERLY TO BRACKET, COVER MAY BE SNAPPED OVER DEVICES.



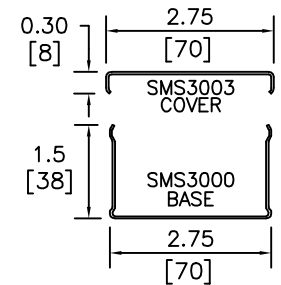
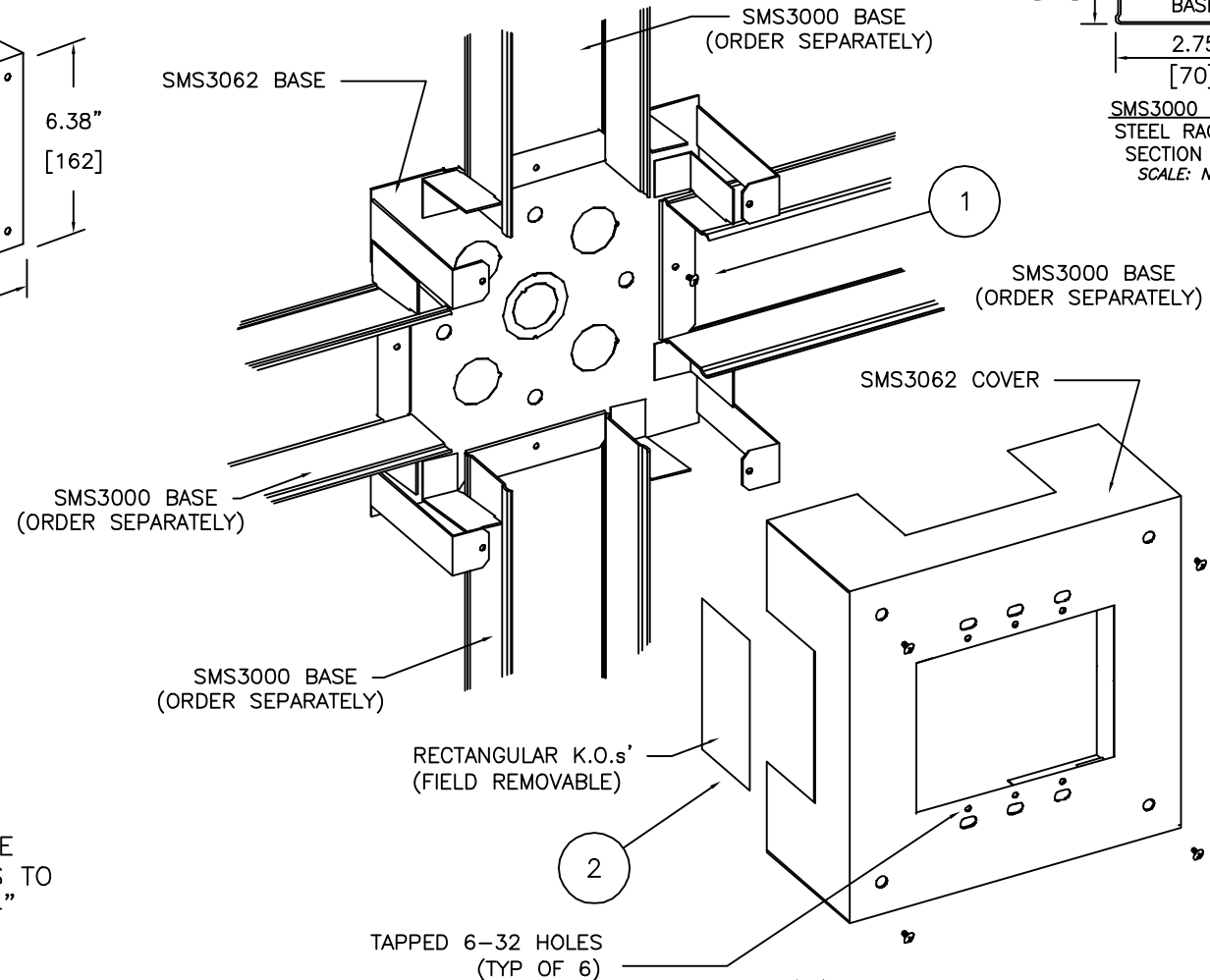
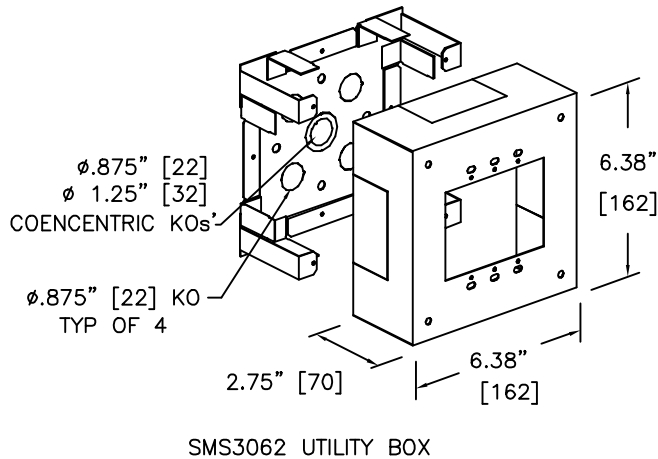
MONO-SYSTEMS, INC.
UNIQUE CABLE DISTRIBUTION SOLUTIONS
4 INTERNATIONAL DRIVE
RYE BROOK, NEW YORK 10573
PHONE: (914)-934-2075
FAX: (914)-934-2190

Mono-Systems, Inc.
Snap-Mark (tm)
SMS3000 SERIES

TWO GANG DEEP BOX (SMS3062)

SCALE: NONE

AVAILABLE IN STANDARD GRAY OR IVORY
 (ADD "-I" SUFFIX TO SPECIFY IVORY)



SMS3000 SERIES
 STEEL RACEWAY
 SECTION VIEW
 SCALE: NONE

ASSEMBLY INSTRUCTIONS

1. INSERT BASE SECTION(S) UNDER DESIRED ATTACHMENT TABS OF THE SMS3062. SECURE BASE SECTIONS TO THE SMS3062 USING 6-32 x 1/4" PAN HEAD SCREWS.
2. REMOVE APPROPRIATE RECTANGULAR K.O.s' AND FASTEN SMS3062 COVER USING (4 QTY) 6-32 x 1/8" PAN HEAD SCREWS.

FILENAME: 3062A.DWG

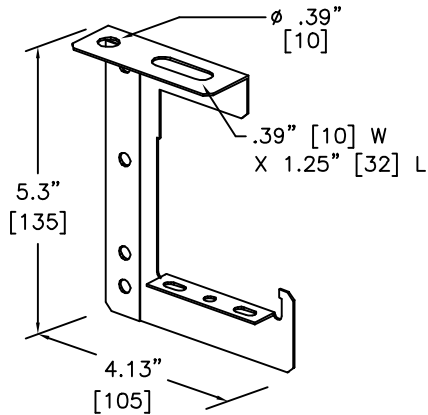


MONO-SYSTEMS, INC.
 UNIQUE CABLE DISTRIBUTION SOLUTIONS
 4 INTERNATIONAL DRIVE
 RYE BROOK, NEW YORK 10573
 PHONE: (914)-934-2075
 FAX: (914)-934-2190

Mono-Systems, Inc.
Snap-Mark (tm)
SMS3000 SERIES

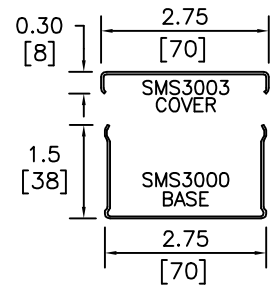
C-HANGER (SMS3064)

SCALE: NONE



C-HANGER
(SMS3064)

NOTE: WHEN USING SMS3000 SERIES IN SUSPENDED APPLICATIONS; RIGID COUPLINGS MUST BE USED TO JOIN BASE SECTIONS.
 SEE SMS3002 - (RIGID COUPLING) FILENAME: SMS3002



SMS3000 SERIES
 STEEL RACEWAY
 SECTION VIEW
 SCALE: NONE

4' [1.22m] MAX

C-HANGER (SMS3064)

3/8" THREADED
 STEEL ROD & HARDWARE
 (NOT INCLUDED TYP.)

- ① FASTEN C-HANGERS TO 3/8" THREADED ROD USING 3/8" WASHERS AND NUTS, HANGERS ARE TO BE INSTALLED @ 4' [122m] MAXIMUM CENTERS.
- ② FASTEN 3000 BASE SECTIONS TO EACH C-HANGER USING TWO 10-32 x 5/8" MACHINE SCREWS WITH WASHERS AND NUT.

LOAD INFORMATION:

30 LBS. / 10FT. SECTION
 @ 4' [122m] MAXIMUM CENTERS.

COVER (SMS3003)
 (ORDER SEPARATELY)

BASE (SMS3000)
 (ORDER SEPARATELY)

10-32 x 5/8" MACHINE SCREW
 #10 WASHERS & NUT (NOT INCLUDED)



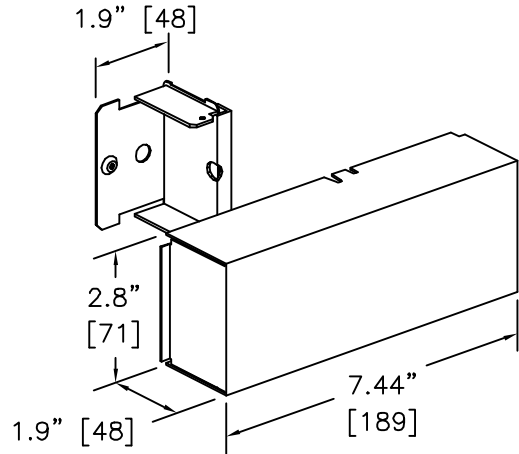
MONO-SYSTEMS, INC.
UNIQUE CABLE DISTRIBUTION SOLUTIONS
 4 INTERNATIONAL DRIVE
 RYE BROOK, NEW YORK 10573
 PHONE: (914)-934-2075
 FAX: (914)-934-2190

Mono-Systems, Inc.
Snap-Mark (tm)
SMS3200 SERIES

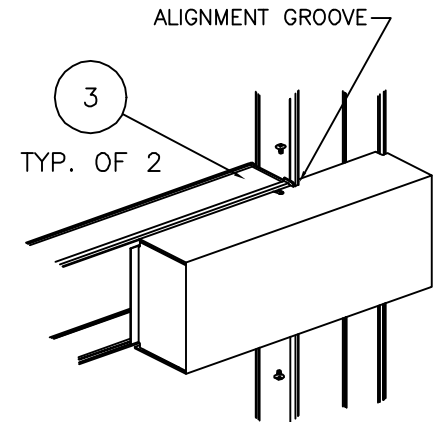
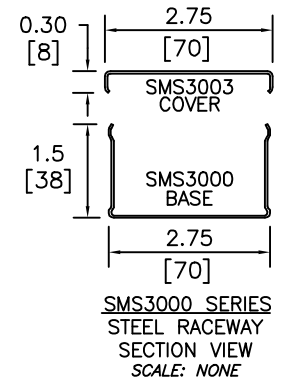
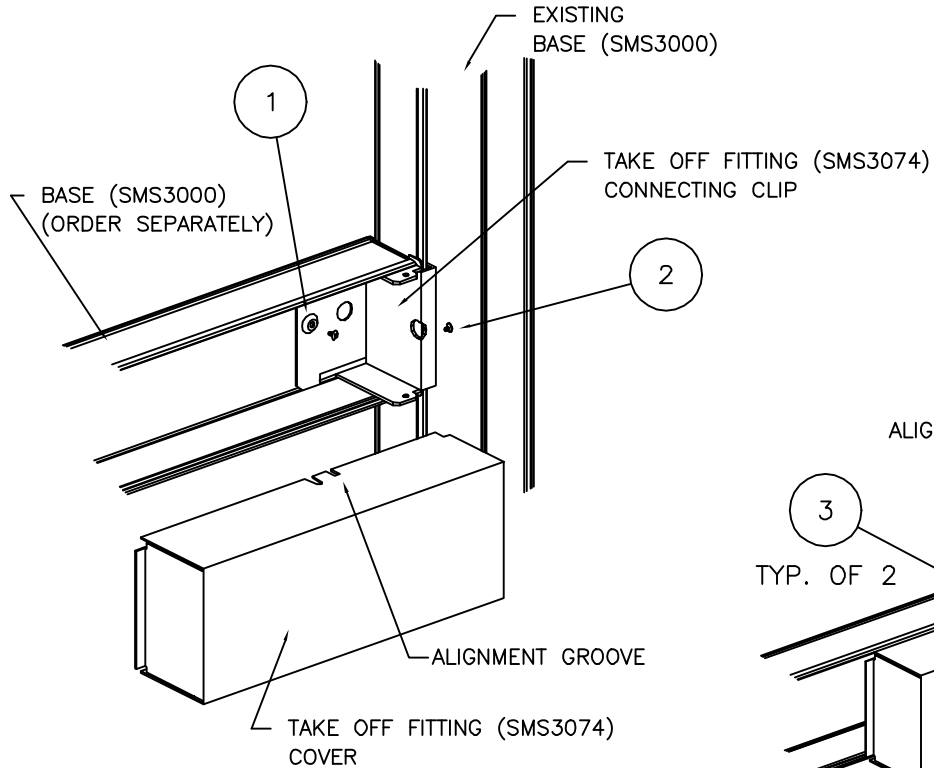
TAKE OFF FITTING (SMS3074)

SCALE: NONE

AVAILABLE IN STANDARD GRAY OR IVORY
 (ADD "-I" SUFFIX TO SPECIFY IVORY)



TAKE OFF FITTING (SMS3074)



TAKE OFF FITTING (SMS3074)
 (COVER IN PLACE)

ASSEMBLY INSTRUCTIONS

1. INSERT CONNECTING CLIP INTO END OF SMS3000 BASE SECTION TO BE JOINED. SECURE IN PLACE USING ONE 6-32 X 1/4" PAN HEAD SCREW.
2. SLIDE LIP OF CONNECTING CLIP OVER EDGE OF EXISTING PERPENDICULAR RACEWAY AND SECURE USING ONE 6-32 x 1/4" PAN HEAD SCREW.
3. LOCATE THE SMS3074 COVER OVER THE ADJOINING RACEWAYS, ENSURING THAT THE ALIGNMENT GROOVE IS POSITIONED OVER THE EDGE OF THE EXISTING RACEWAY. SECURE IN PLACE USING TWO 6-32 X 1/4" PAN HEAD SCREWS.



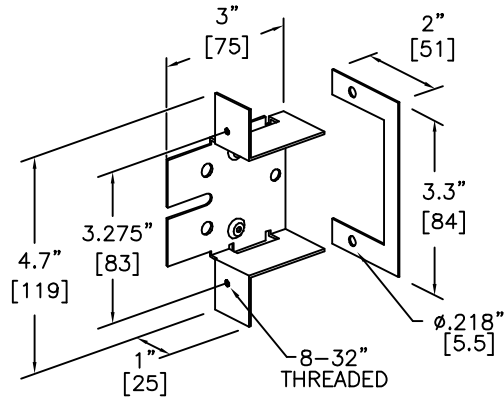
MONO-SYSTEMS, INC.
 UNIQUE CABLE DISTRIBUTION SOLUTIONS
 4 INTERNATIONAL DRIVE
 RYE BROOK, NEW YORK 10573
 PHONE: (914)-934-2075
 FAX: (914)-934-2190

Mono-Systems, Inc.
Snap-Mark (tm)
SMS3000 SERIES

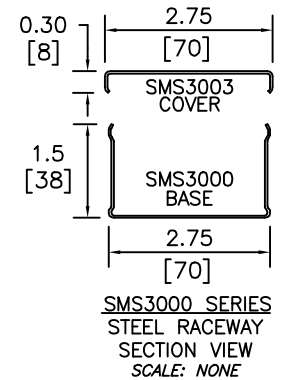
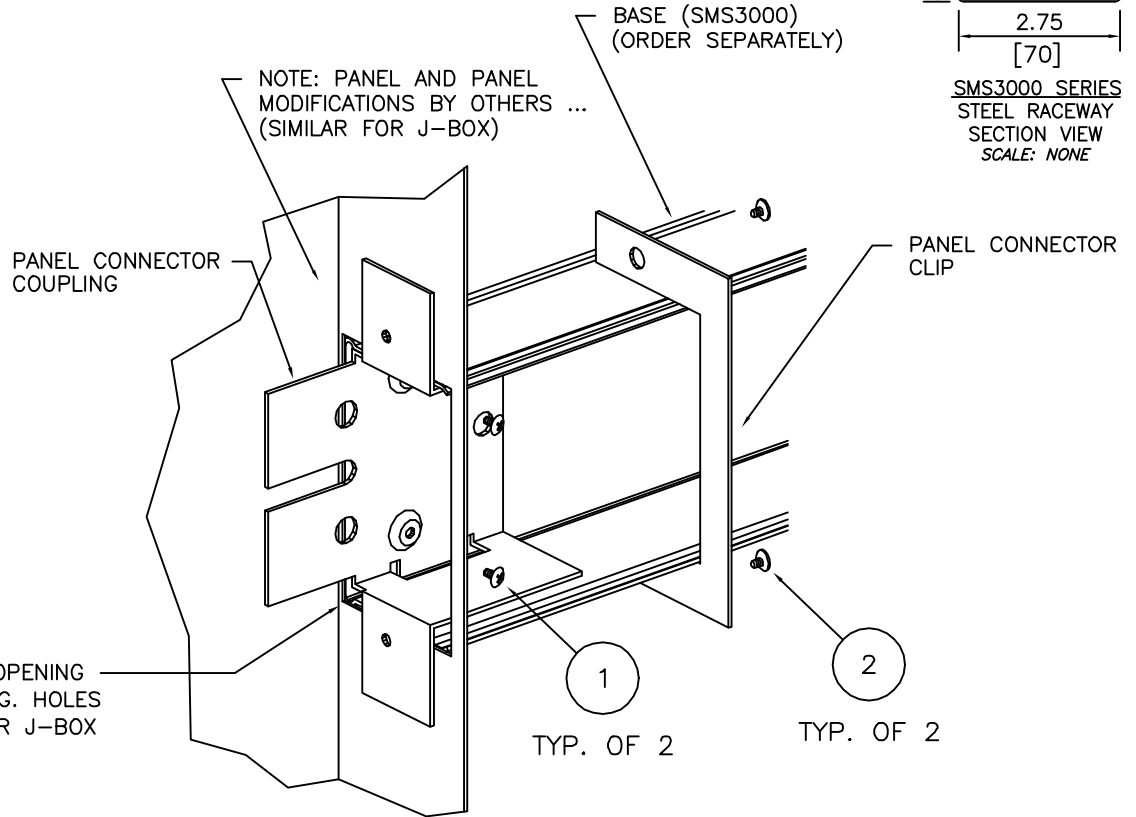
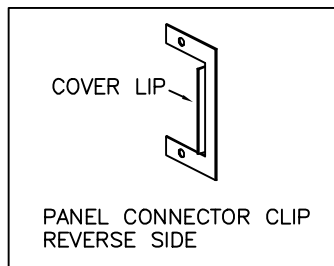
PANEL CONNECTOR (SMS3086)

SCALE: NONE

AVAILABLE IN STANDARD GRAY OR IVORY
 (ADD "-I" SUFFIX TO SPECIFY IVORY)



PANEL CONNECTOR (SMS3086)



ASSEMBLY INSTRUCTIONS

1. POSITION PANEL COUPLING THROUGH OPENING IN PANEL (BY OTHERS) SO THAT EMBOSSED 6-32 HOLES ARE ON THE EXTERIOR. SLIDE SMS3000 BASE ONTO PANEL CONNECTOR COUPLING AND SECURE WITH TWO 6-32 x 1/4" PAN HEAD SCREWS.
2. ATTACH PANEL CONNECTOR CLIP AS SHOWN ON OUTSIDE OF PANEL BOX AND SECURE IN PLACE USING TWO 8-32 X 1/4" PAN HEAD SCREWS.

FILENAME: SMS3086

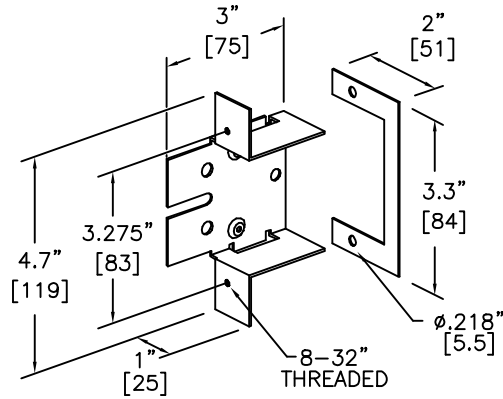


MONO-SYSTEMS, INC.
UNIQUE CABLE DISTRIBUTION SOLUTIONS
 4 INTERNATIONAL DRIVE
 RYE BROOK, NEW YORK 10573
 PHONE: (914)-934-2075
 FAX: (914)-934-2190

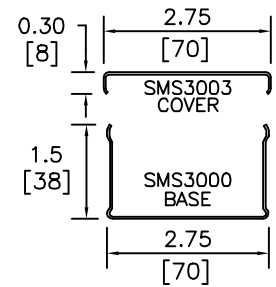
Mono-Systems, Inc.
SnapMark (tm)
SMS3000 SERIES

PANEL CONNECTOR (SMS3086)

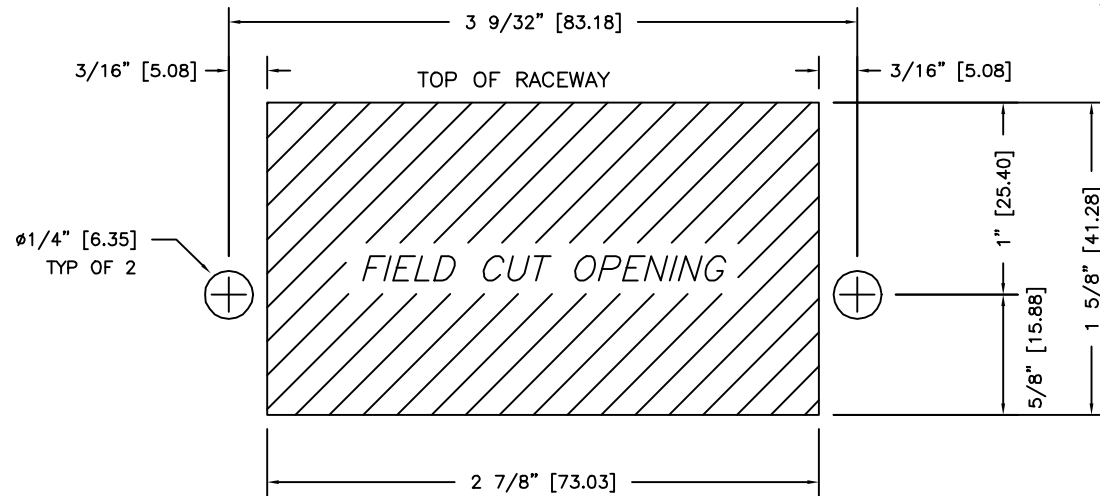
SCALE: AS NOTED



PANEL CONNECTOR (SMS3286)
 SCALE: NONE



SMS3000 SERIES
 STEEL RACEWAY
 SECTION VIEW
 SCALE: NONE



PANEL OR BOX OPENING TEMPLATE

SCALE: 1=1

FIELD CUT OPENING
 & DRILL MTG. HOLES
 IN PANEL OR J-BOX



MONO-SYSTEMS, INC.
UNIQUE CABLE DISTRIBUTION SOLUTIONS
 4 INTERNATIONAL DRIVE
 RYE BROOK, NEW YORK 10573
 PHONE: (914)-934-2075
 FAX: (914)-934-2190