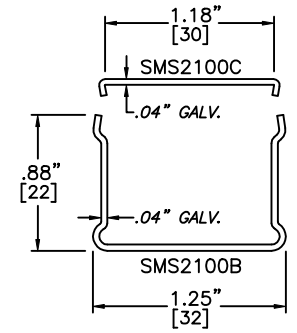
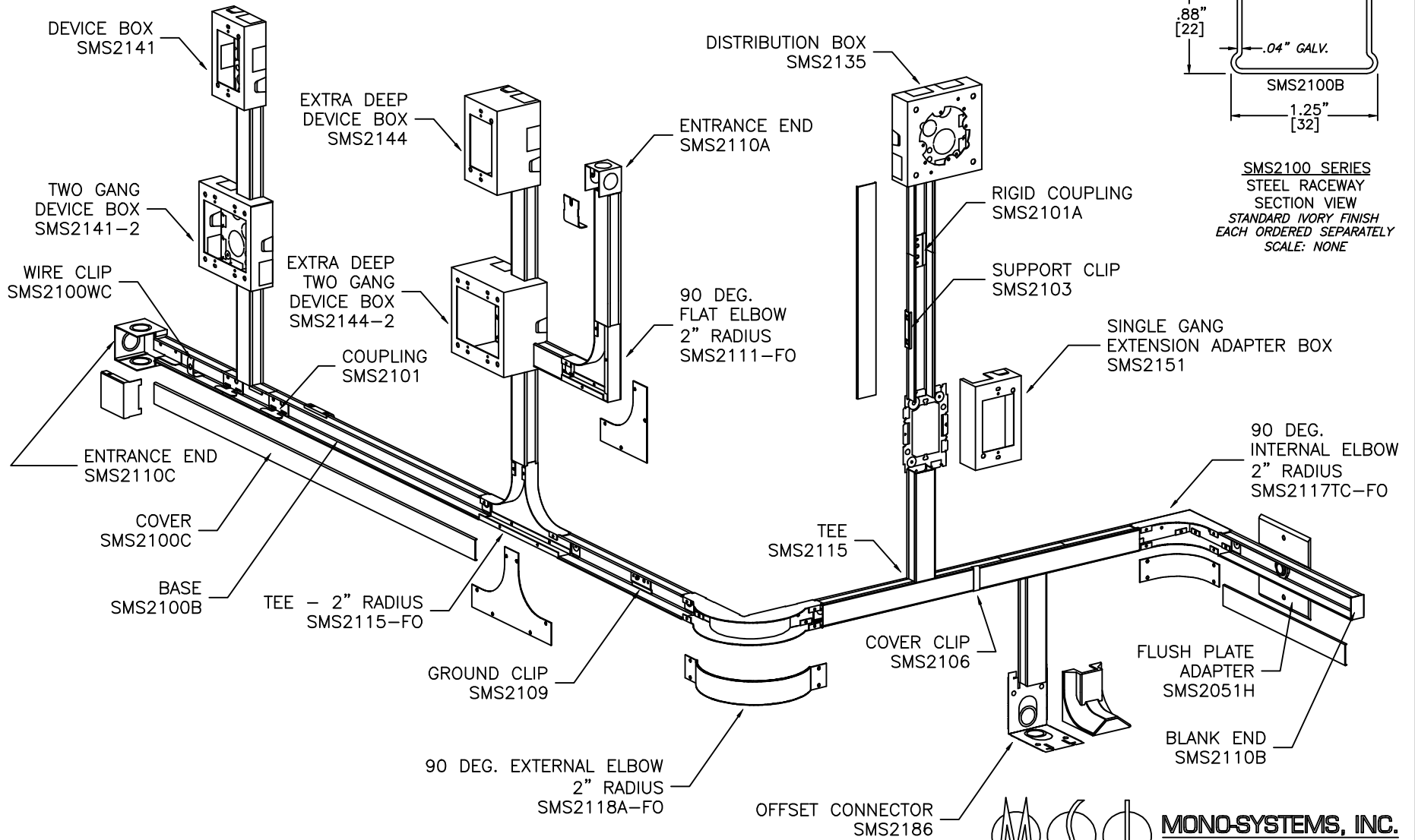


# SnapMark™ SMS2100 Series

## REFERENCE INSTALLATION



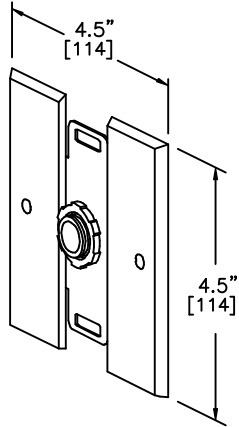
**SMS2100 SERIES**  
STEEL RACEWAY  
SECTION VIEW  
STANDARD IVORY FINISH  
EACH ORDERED SEPARATELY  
SCALE: NONE



**SnapMark™**  
SMS2100 Series

# FLUSH PLATE ADAPTER — (SMS2051H)

MATERIAL: STEEL — GALV / IVORY FINISH



SMS2051H  
FLUSH PLATE ADAPTER

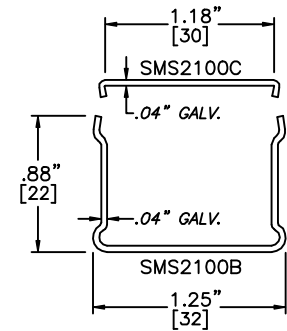
- A.) FOR EXTENDING FROM EXISTING FLUSH RECEPTACLE AND SWITCH OUTLETS / BOXES.
- B.) CAN ACCOMMODATE HORIZONTAL OR VERTICAL RACEWAY MOUNTING.
- C.) FEED THROUGH CAPACITY IS 10 #12 THHN CONDUCTORS.

## ASSEMBLY INSTRUCTIONS

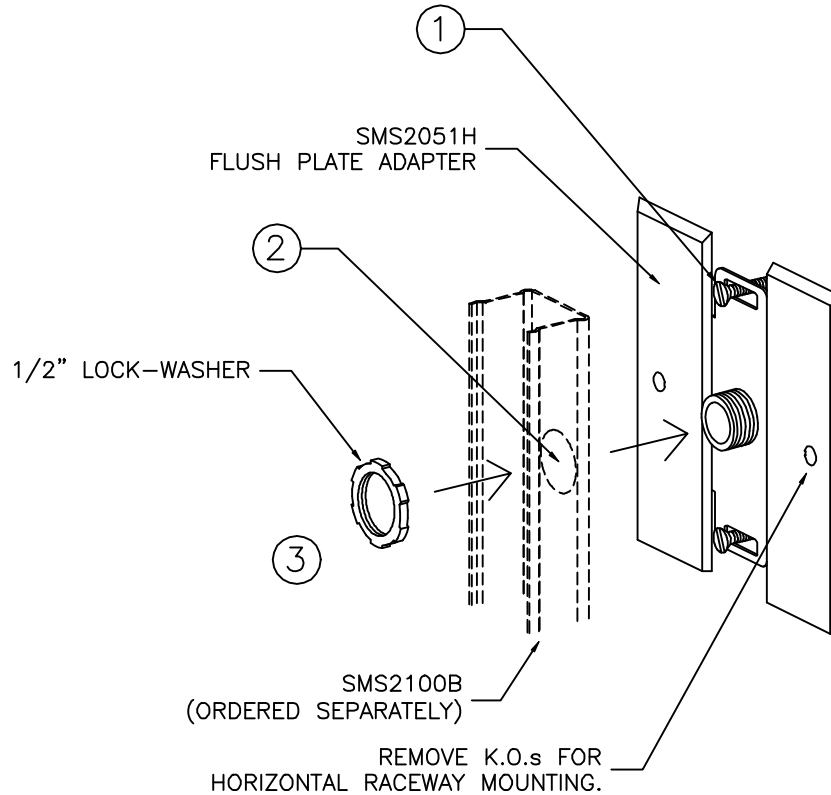
1. ATTACH FLUSH PLATE ADAPTER TO EXISTING WALL OUTLET USING PROVIDED HARDWARE.  
REMOVE INDICATED K.O.s FOR HORIZONTAL RACEWAY MOUNTING.
2. PUNCH OR DRILL A .825" DIA. HOLE IN BACK SURFACE OF RACEWAY AT APPROPRIATE LOCATION.
3. ATTACH RACEWAY TO FLUSH PLATE ADAPTER USING PROVIDED 1/2" LOCK-WASHER.
4. TERMINATE WIRING PER NEC AND LOCAL CODES.

FILENAME: SMS2051H

[www.monosystems.com](http://www.monosystems.com)



SMS2100 SERIES  
STEEL RACEWAY  
SECTION VIEW  
STANDARD IVORY FINISH  
EACH ORDERED SEPARATELY  
SCALE: NONE



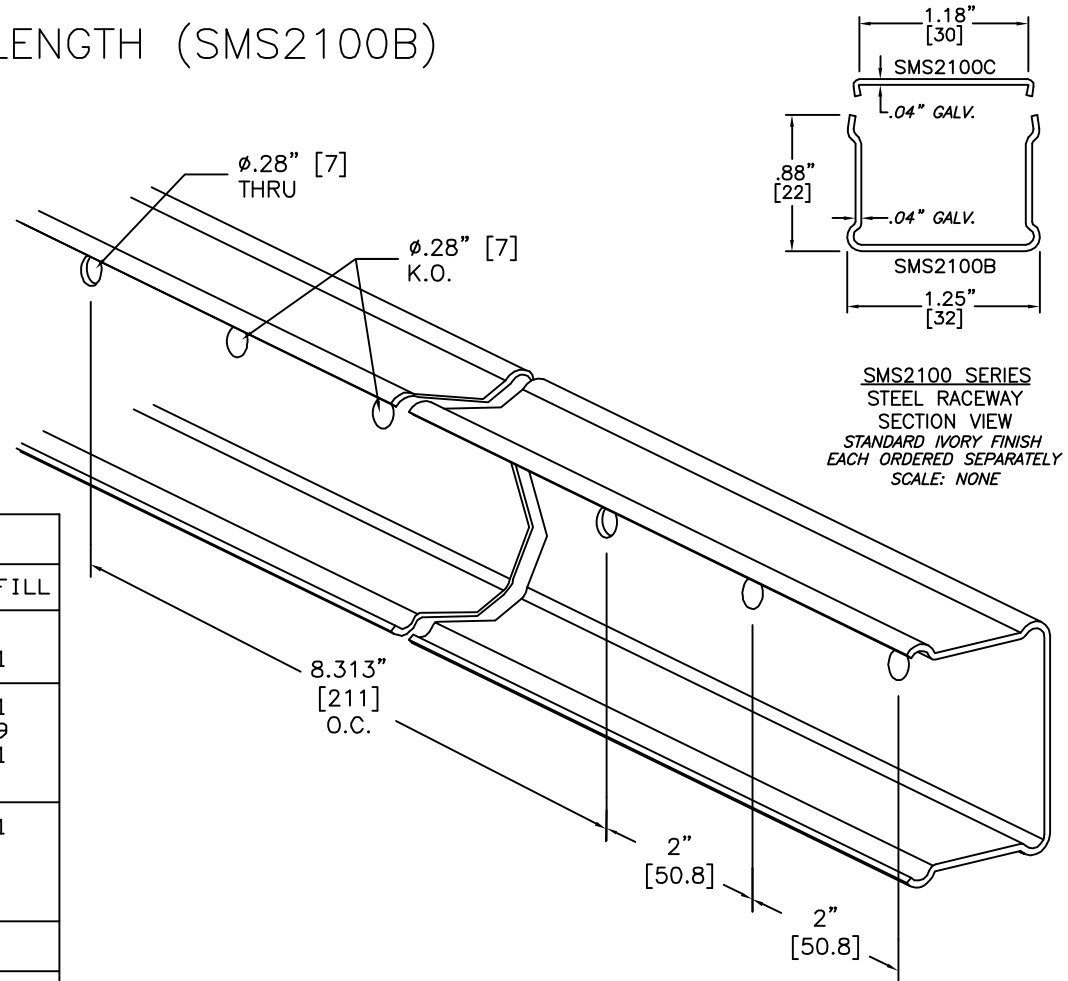
**MONO-SYSTEMS, INC.**  
UNIQUE CABLE DISTRIBUTION SOLUTIONS  
4 INTERNATIONAL DRIVE  
RYE BROOK, NEW YORK 10573  
PHONE: (914)-934-2075  
FAX: (914)-934-2190

# SnapMark™ SMS2100 Series

BASE – 10' [3m] LENGTH (SMS2100B)

POWER WIRE FILL CAPACITY	
WIRE SIZE THHN/THWN	CONDUCTORS (40% FILL)
6 Awg	6
8 Awg	9
10 Awg	15
12 Awg	25
14 Awg	34

DATA/COMM. WIRE FILL CAPACITIES			
CABLE TYPE	CATEGORY/DESIGNATION	20% FILL	40% FILL
UNSHIELDED TWISTED PAIR	4-PAIR, 24 AWG Cat 5 UTP	4	8
	4-PAIR, 24 AWG Cat 3 UTP	5	11
TELEPHONE	2-PAIR, 24 AWG	10	21
	3-PAIR, 24 AWG	9	19
	4-PAIR, 24 AWG	5	11
	25-PAIR, 24 AWG	1	2
COAXIAL	RG58/U	5	11
	RG59/U	3	7
	RG62/U	3	7
	RG6/U	2	5
TWINAXIAL	100 Ohm	1	3
SHIELDED TWISTED PAIR	TYPE 1	1	2
	TYPE 2	0	1
	TYPE 3	3	7



SMS2100 SERIES  
STEEL RACEWAY  
SECTION VIEW  
STANDARD IVORY FINISH  
EACH ORDERED SEPARATELY  
SCALE: NONE

## ASSEMBLY INSTRUCTIONS

1. RIGIDLY SECURE BASE SECTION TO STRUCTURAL BUILDING MEMBER OR WALL CONSTRUCTION AT 18" MAXIMUM MOUNTING CENTERS. ENGINEER TO VERIFY FASTENERS & MOUNTING INTERVAL BASED ON MOUNTING SURFACE CONSTRUCTION. (HARDWARE BY OTHERS)
2. COUPLE ADJOINING RACEWAY LENGTHS USING SMS2101 OR SMS2101A COUPLINGS. (ORDERED SEPARATELY)

FILENAME: SMS2100B

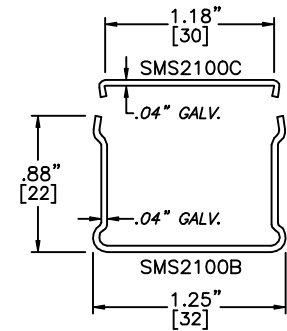
www.monosystems.com



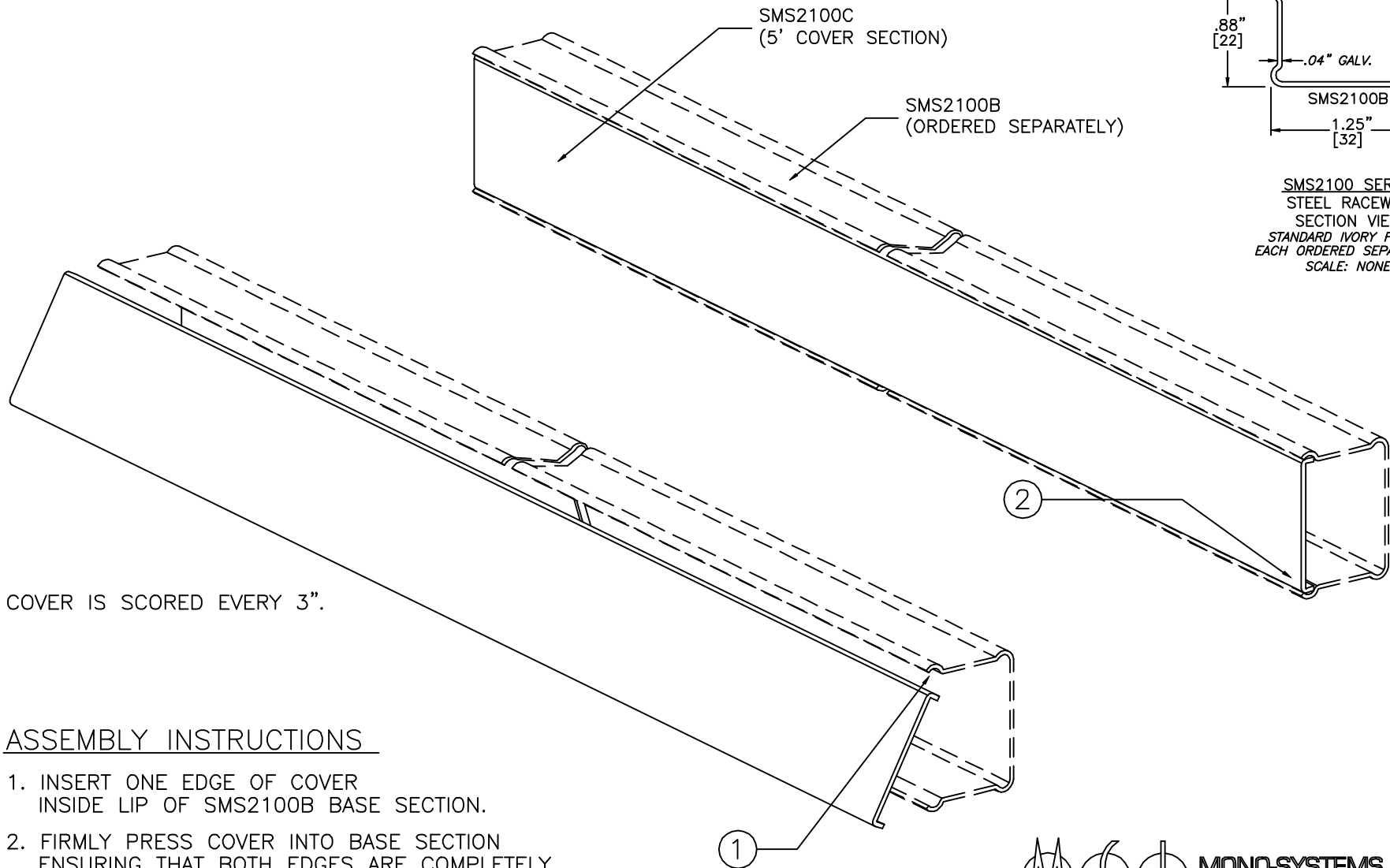
**MONO-SYSTEMS, INC.**  
UNIQUE CABLE DISTRIBUTION SOLUTIONS  
4 INTERNATIONAL DRIVE  
RYE BROOK, NEW YORK 10573  
PHONE: (914)-934-2075  
FAX: (914)-934-2190

**SnapMark™**  
**SMS2100 Series**

COVER – 5' [1.5m] LENGTH (SMS2100C)



**SMS2100 SERIES**  
STEEL RACEWAY  
SECTION VIEW  
STANDARD IVORY FINISH  
EACH ORDERED SEPARATELY  
SCALE: NONE



COVER IS SCORED EVERY 3".

### ASSEMBLY INSTRUCTIONS

1. INSERT ONE EDGE OF COVER INSIDE LIP OF SMS2100B BASE SECTION.
2. FIRMLY PRESS COVER INTO BASE SECTION ENSURING THAT BOTH EDGES ARE COMPLETELY SNAPPED INSIDE BASE SECTION.

FILENAME: SMS2100C

[www.monosystems.com](http://www.monosystems.com)

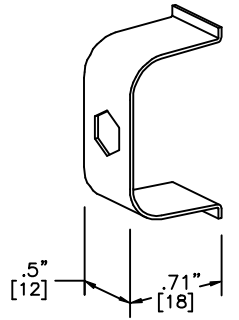


**MONO-SYSTEMS, INC.**  
UNIQUE CABLE DISTRIBUTION SOLUTIONS  
4 INTERNATIONAL DRIVE  
RYE BROOK, NEW YORK 10573  
PHONE: (914)-934-2075  
FAX: (914)-934-2190

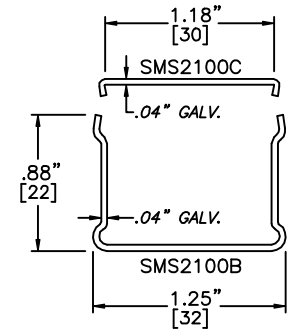
**SnapMark™**  
SMS2100 Series

WIRE CLIP – (SMS2100WC)

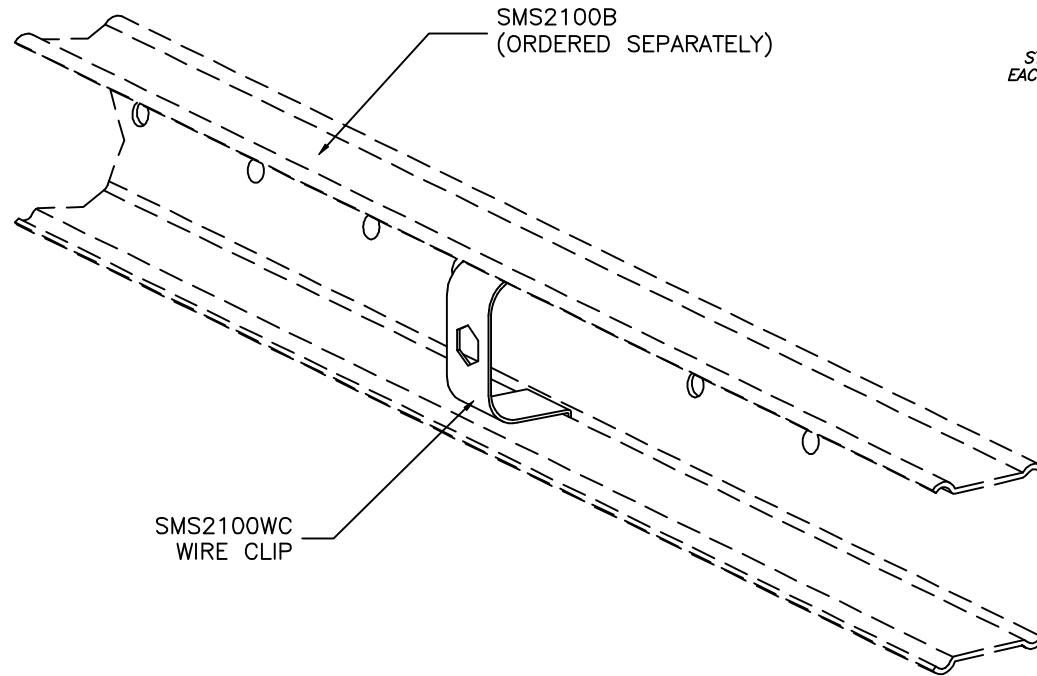
MATERIAL: PLATED STEEL



SMS2100WC  
WIRE CLIP



SMS2100 SERIES  
STEEL RACEWAY  
SECTION VIEW  
STANDARD IVORY FINISH  
EACH ORDERED SEPARATELY  
SCALE: NONE



ASSEMBLY INSTRUCTIONS

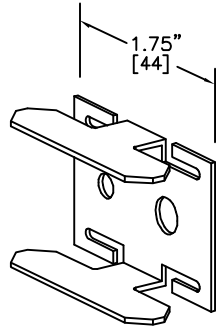
1. SNAP INTO SMS2100B AS SHOWN.  
USE AS REQUIRED TO HOLD CONDUCTORS IN PLACE.



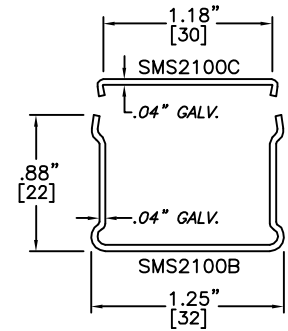
**MONO-SYSTEMS, INC.**  
UNIQUE CABLE DISTRIBUTION SOLUTIONS  
4 INTERNATIONAL DRIVE  
RYE BROOK, NEW YORK 10573  
PHONE: (914)-934-2075  
FAX: (914)-934-2190

# SnapMark™ COUPLING — (SMS2101)

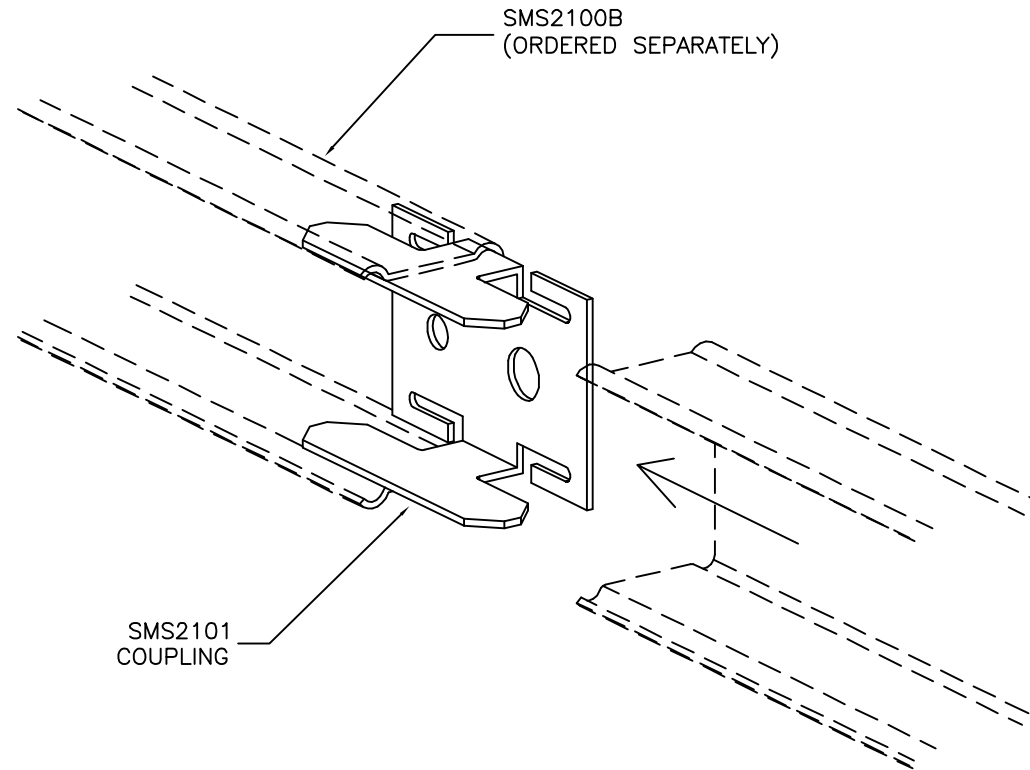
## SMS2100 Series



SMS2101  
COUPLING



SMS2100 SERIES  
STEEL RACEWAY  
SECTION VIEW  
STANDARD IVORY FINISH  
EACH ORDERED SEPARATELY  
SCALE: NONE



### ASSEMBLY INSTRUCTIONS

1. INSERT COUPLING BETWEEN SMS2100B LENGTHS TO BE CONNECTED.

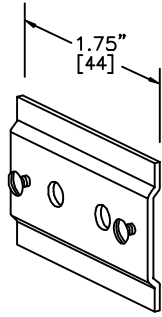


**MONO-SYSTEMS, INC.**  
UNIQUE CABLE DISTRIBUTION SOLUTIONS  
4 INTERNATIONAL DRIVE  
RYE BROOK, NEW YORK 10573  
PHONE: (914)-934-2075  
FAX: (914)-934-2190

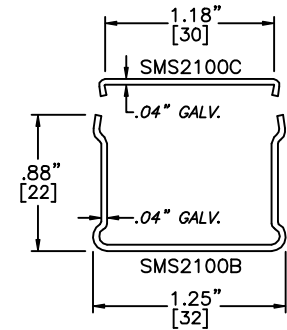
**SnapMark™**  
**SMS2100 Series**

# RIGID COUPLING – (SMS2101A)

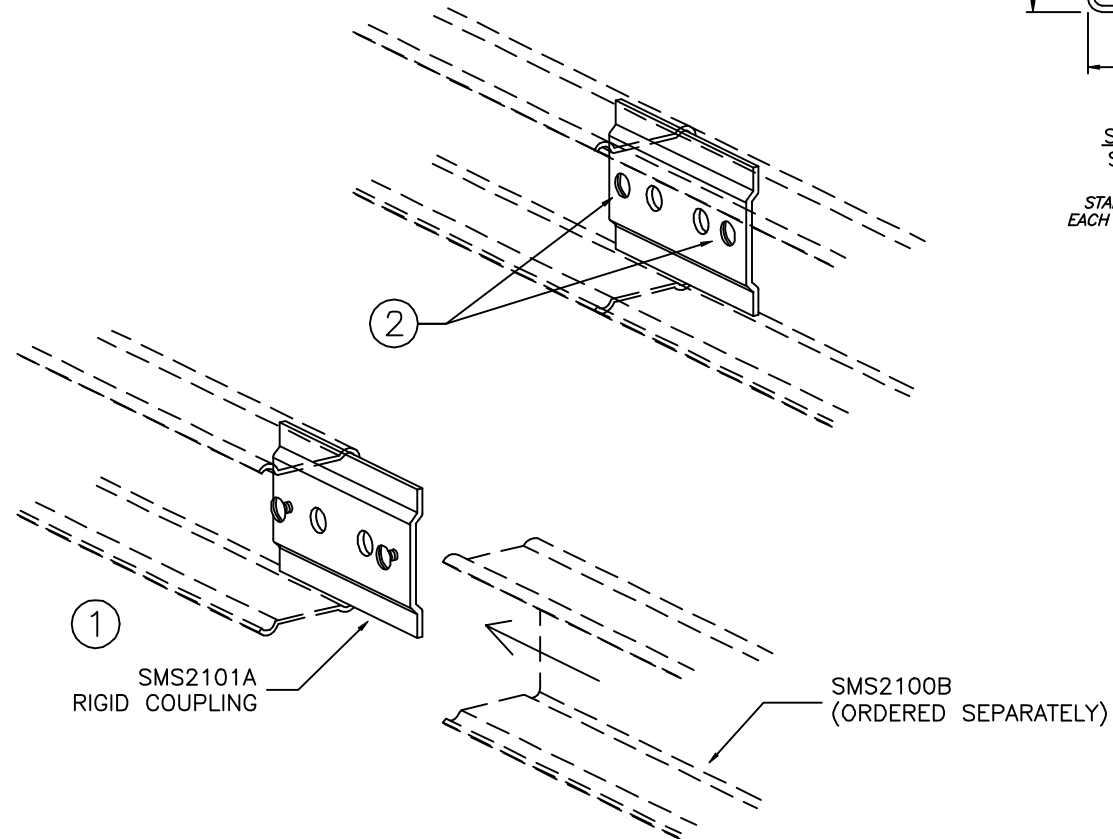
MATERIAL: GALVANIZED STEEL



SMS2101A  
RIGID COUPLING



SMS2100 SERIES  
STEEL RACEWAY  
SECTION VIEW  
STANDARD IVORY FINISH  
EACH ORDERED SEPARATELY  
SCALE: NONE



## ASSEMBLY INSTRUCTIONS

1. INSERT RIGID COUPLING BETWEEN SMS2100B LENGTHS TO BE CONNECTED.
2. TIGHTEN PROVIDED 6-32 SET SCREWS TO SECURE IN PLACE.

FILENAME: SMS2101A

[www.monosystems.com](http://www.monosystems.com)

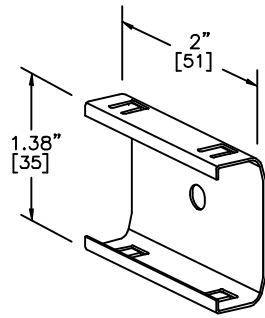


**MONO-SYSTEMS, INC.**  
UNIQUE CABLE DISTRIBUTION SOLUTIONS  
4 INTERNATIONAL DRIVE  
RYE BROOK, NEW YORK 10573  
PHONE: (914)-934-2075  
FAX: (914)-934-2190

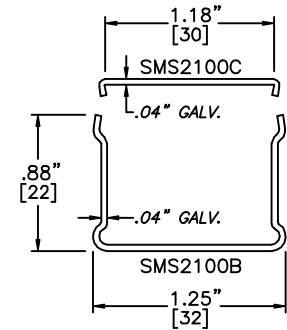
**SnapMark™**  
**SMS2100 Series**

# SUPPORT CLIP – (SMS2103)

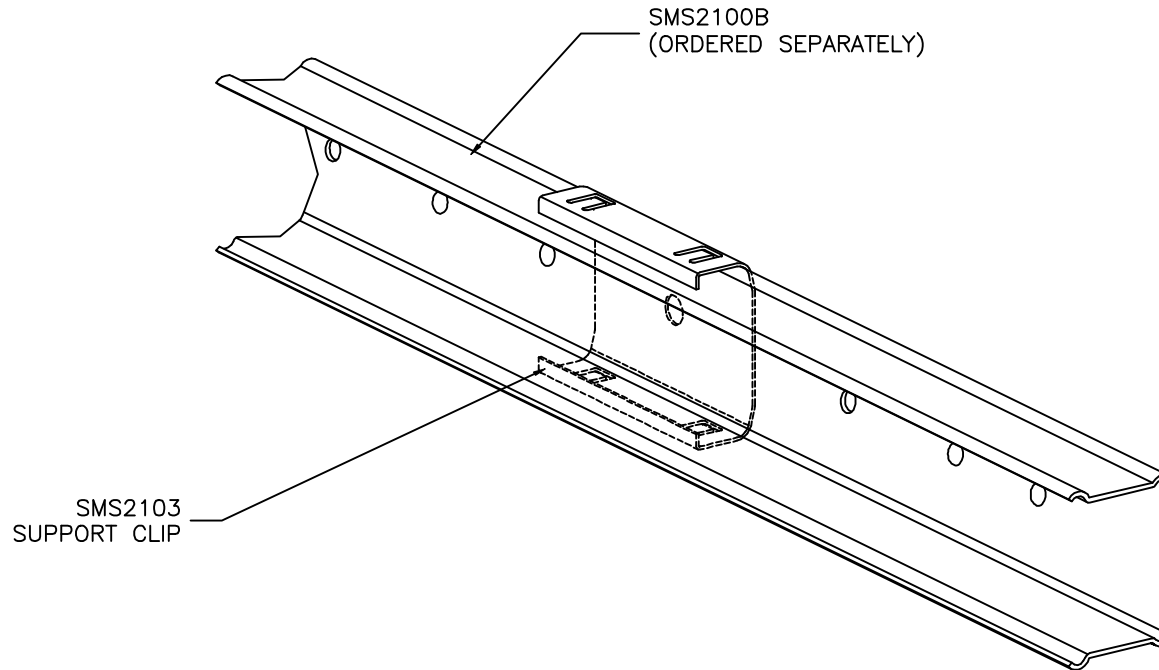
MATERIAL: STEEL – IVORY FINISH



SMS2103  
SUPPORT CLIP



**SMS2100 SERIES**  
STEEL RACEWAY  
SECTION VIEW  
STANDARD IVORY FINISH  
EACH ORDERED SEPARATELY  
SCALE: NONE



## ASSEMBLY INSTRUCTIONS

1. ATTACH SUPPORT CLIP TO MOUNTING SURFACE USING NO. 6 FLAT HEAD HARDWARE AND ANCHOR IF REQUIRED. (BY OTHERS)
2. SNAP SMS2100B INTO SUPPORT CLIP AS SHOWN.

FILENAME: SMS2103

[www.monosystems.com](http://www.monosystems.com)

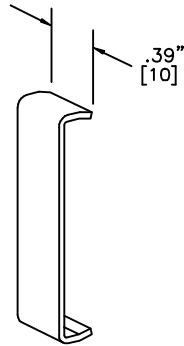


**MONO-SYSTEMS, INC.**  
UNIQUE CABLE DISTRIBUTION SOLUTIONS  
4 INTERNATIONAL DRIVE  
RYE BROOK, NEW YORK 10573  
PHONE: (914)-934-2075  
FAX: (914)-934-2190

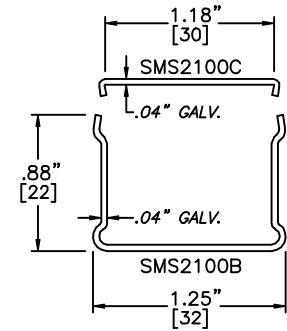
**SnapMark™**  
**SMS2100 Series**

**COVER CLIP – (SMS2106)**

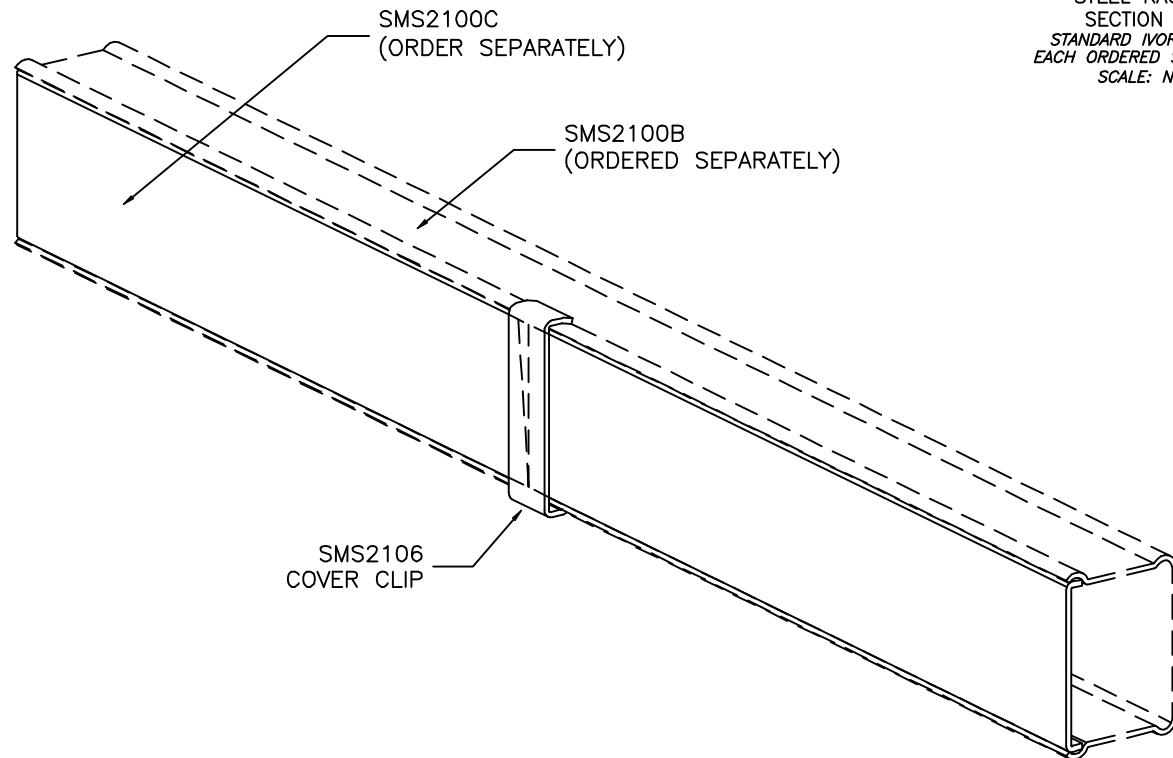
MATERIAL: STEEL – IVORY FINISH



SMS2106  
 COVER CLIP



**SMS2100 SERIES**  
 STEEL RACEWAY  
 SECTION VIEW  
 STANDARD IVORY FINISH  
 EACH ORDERED SEPARATELY  
 SCALE: NONE



ASSEMBLY INSTRUCTIONS

1. SNAP COVER CLIP OVER UNEVEN COVER CUTS.

FILENAME: SMS2106

[www.monosystems.com](http://www.monosystems.com)

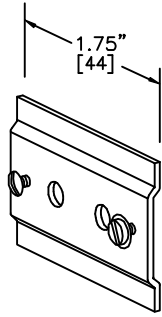


**MONO-SYSTEMS, INC.**  
 UNIQUE CABLE DISTRIBUTION SOLUTIONS  
 4 INTERNATIONAL DRIVE  
 RYE BROOK, NEW YORK 10573  
 PHONE: (914)-934-2075  
 FAX: (914)-934-2190

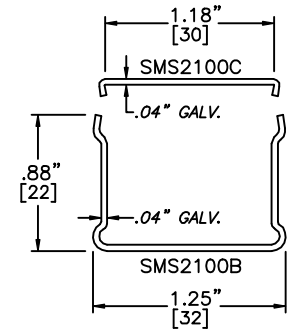
**SnapMark™**  
SMS2100 Series

# GROUND CLIP — (SMS2109)

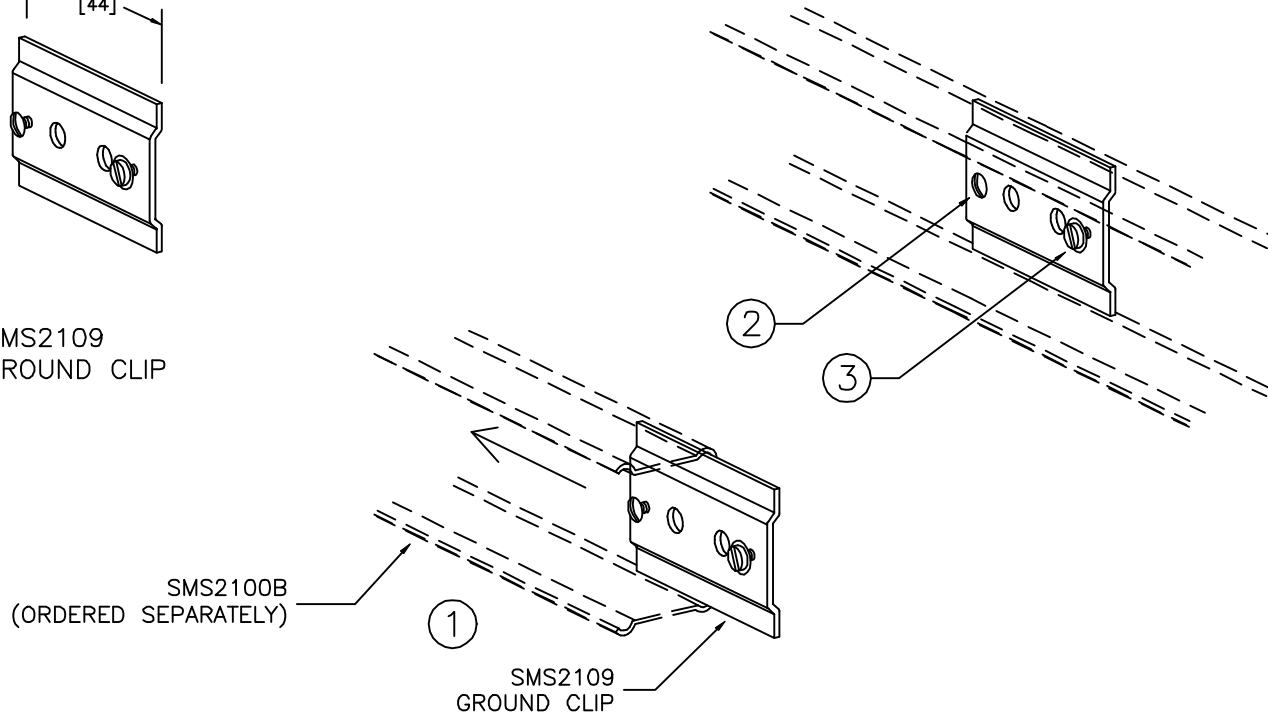
MATERIAL: GALVANIZED STEEL



SMS2109  
GROUND CLIP



SMS2100 SERIES  
STEEL RACEWAY  
SECTION VIEW  
STANDARD IVORY FINISH  
EACH ORDERED SEPARATELY  
SCALE: NONE



## ASSEMBLY INSTRUCTIONS

1. INSERT GROUND CLIP INTO SMS2100B SECTIONS.
2. TIGHTEN PROVIDED 6-32 SET SCREW TO SECURE IN PLACE.
3. TERMINATE GROUNDING CONDUCTOR TO PROVIDED 10-32 GROUND SCREW PER NEC AND LOCAL CODES. (GROUNDING CONDUCTOR AND TERMINATION BY OTHERS)

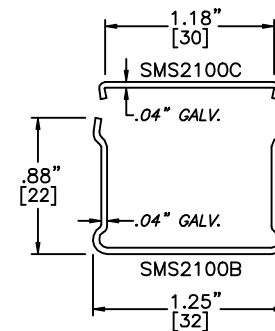


**MONO-SYSTEMS, INC.**  
UNIQUE CABLE DISTRIBUTION SOLUTIONS  
4 INTERNATIONAL DRIVE  
RYE BROOK, NEW YORK 10573  
PHONE: (914)-934-2075  
FAX: (914)-934-2190

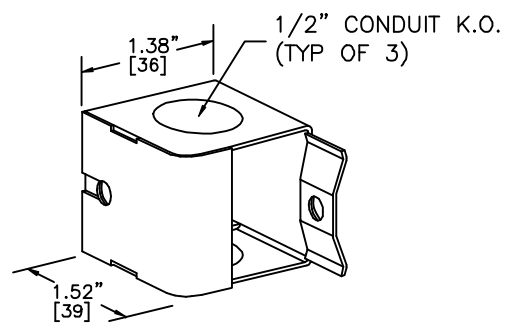
**SnapMark™**  
SMS2100 Series

# ENTRANCE END FITTING – (SMS2110A)

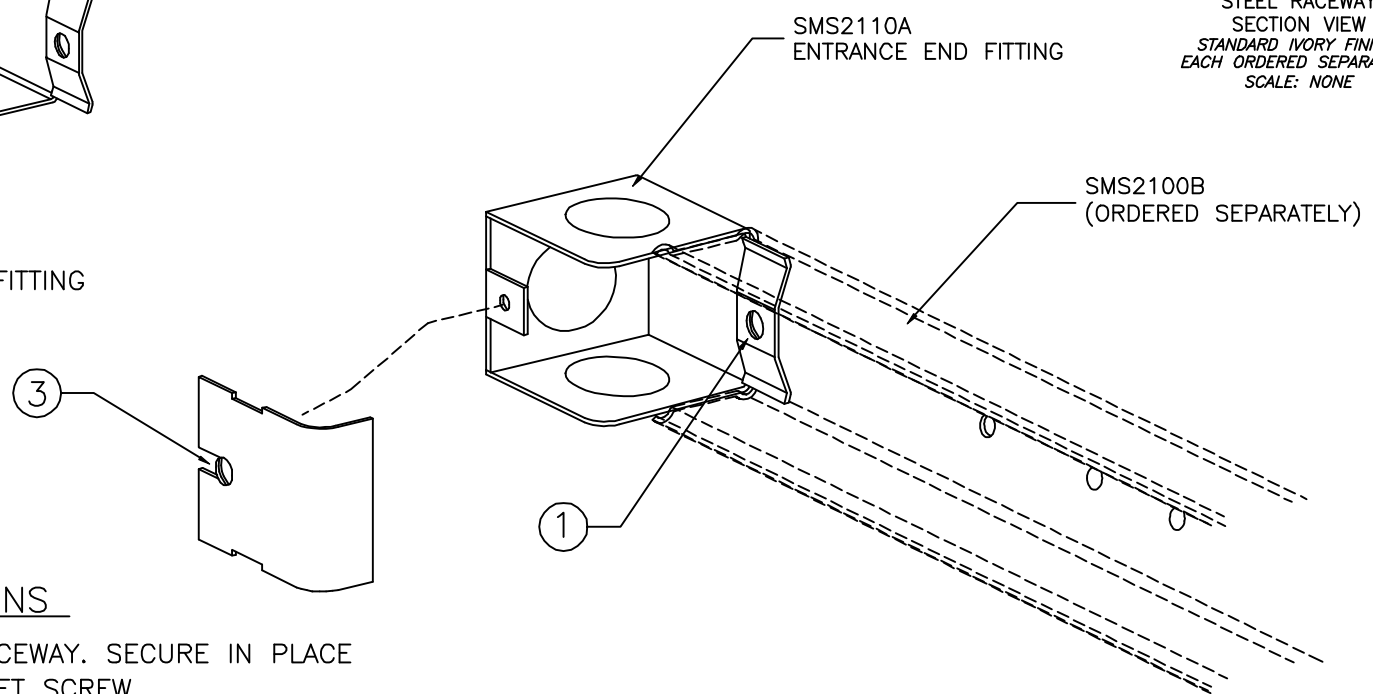
MATERIAL: STEEL – IVORY FINISH



SMS2100 SERIES  
STEEL RACEWAY  
SECTION VIEW  
STANDARD IVORY FINISH  
EACH ORDERED SEPARATELY  
SCALE: NONE



SMS2110A  
ENTRANCE END FITTING



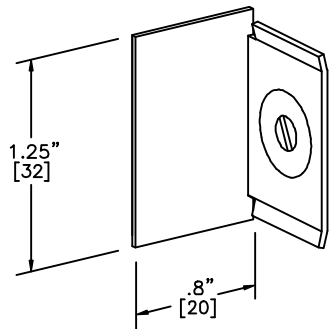
## ASSEMBLY INSTRUCTIONS

1. SLIDE SMS2110A INTO RACEWAY. SECURE IN PLACE USING PROVIDED NO. 6 SET SCREW.
2. TERMINATE WIRING PER NEC AND LOCAL CODES. (BY OTHERS)
3. ATTACH SMS2110A COVER USING PROVIDED NO. 6 SCREW.

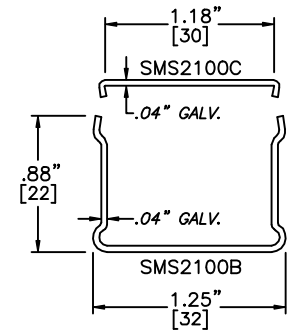


**MONO-SYSTEMS, INC.**  
UNIQUE CABLE DISTRIBUTION SOLUTIONS  
4 INTERNATIONAL DRIVE  
RYE BROOK, NEW YORK 10573  
PHONE: (914)-934-2075  
FAX: (914)-934-2190

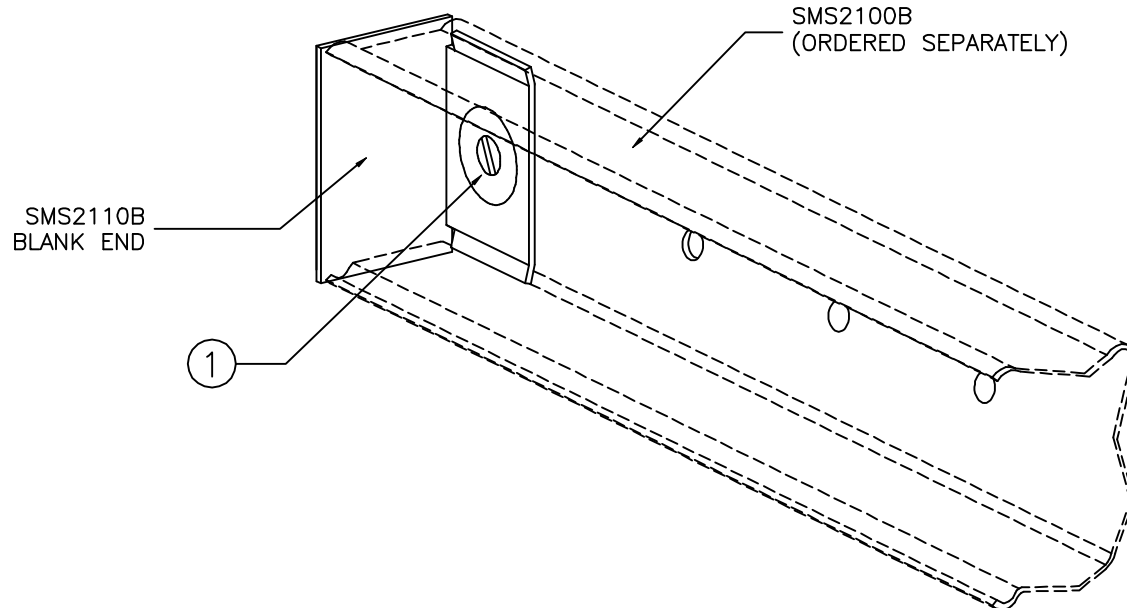
**SnapMark™** BLANK END – (SMS2110B)  
**SMS2100 Series**



SMS2110B  
 BLANK END



SMS2100 SERIES  
 STEEL RACEWAY  
 SECTION VIEW  
 STANDARD IVORY FINISH  
 EACH ORDERED SEPARATELY  
 SCALE: NONE



ASSEMBLY INSTRUCTIONS

1. SLIDE BLANK END INTO END OF SMS2100B.  
 SECURE IN PLACE USING SUPPLIED NO. 6 SET SCREW.

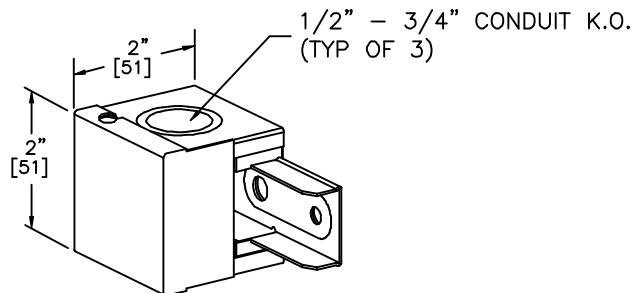


**MONO-SYSTEMS, INC.**  
 UNIQUE CABLE DISTRIBUTION SOLUTIONS  
 4 INTERNATIONAL DRIVE  
 RYE BROOK, NEW YORK 10573  
 PHONE: (914)-934-2075  
 FAX: (914)-934-2190

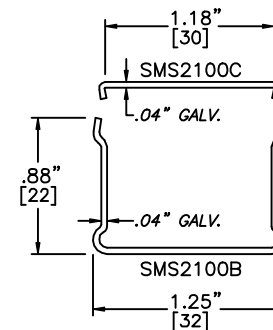
**SnapMark™**  
SMS2100 Series

# ENTRANCE END – (SMS2110C)

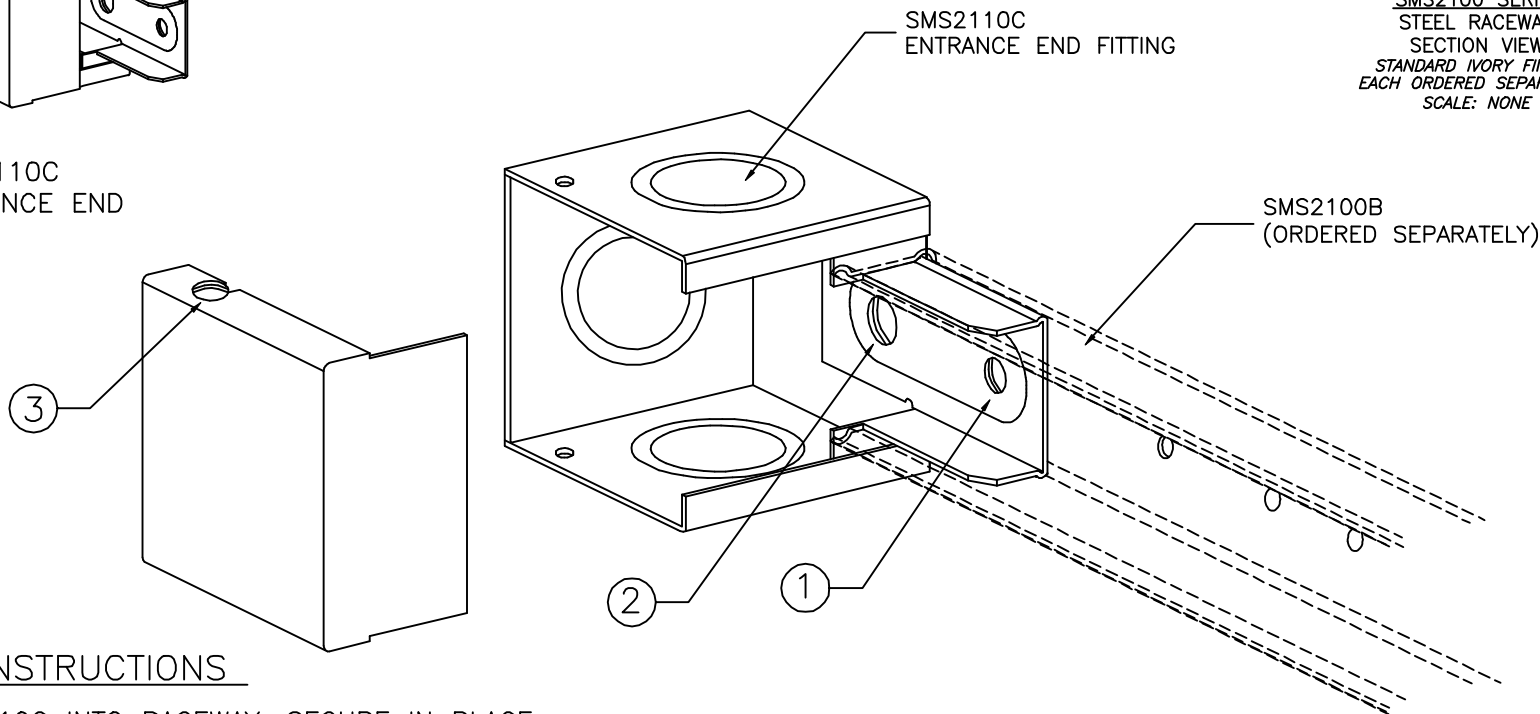
MATERIAL: STEEL – IVORY FINISH



SMS2110C  
ENTRANCE END



SMS2100 SERIES  
STEEL RACEWAY  
SECTION VIEW  
STANDARD IVORY FINISH  
EACH ORDERED SEPARATELY  
SCALE: NONE



## ASSEMBLY INSTRUCTIONS

1. SLIDE SMS2110C INTO RACEWAY. SECURE IN PLACE USING PROVIDED NO. 6 SET SCREW.
2. TERMINATE WIRING AND GROUND CONDUCTOR PER NEC AND LOCAL CODES. (BY OTHERS)
3. ATTACH SMS2110C COVER USING PROVIDED NO. 6 SCREWS.
4. 10-32 GROUND SCREW PROVIDED.

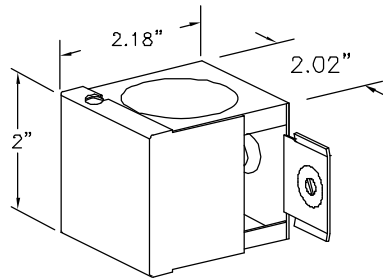


**MONO-SYSTEMS, INC.**  
UNIQUE CABLE DISTRIBUTION SOLUTIONS  
4 INTERNATIONAL DRIVE  
RYE BROOK, NEW YORK 10573  
PHONE: (914)-934-2075  
FAX: (914)-934-2190

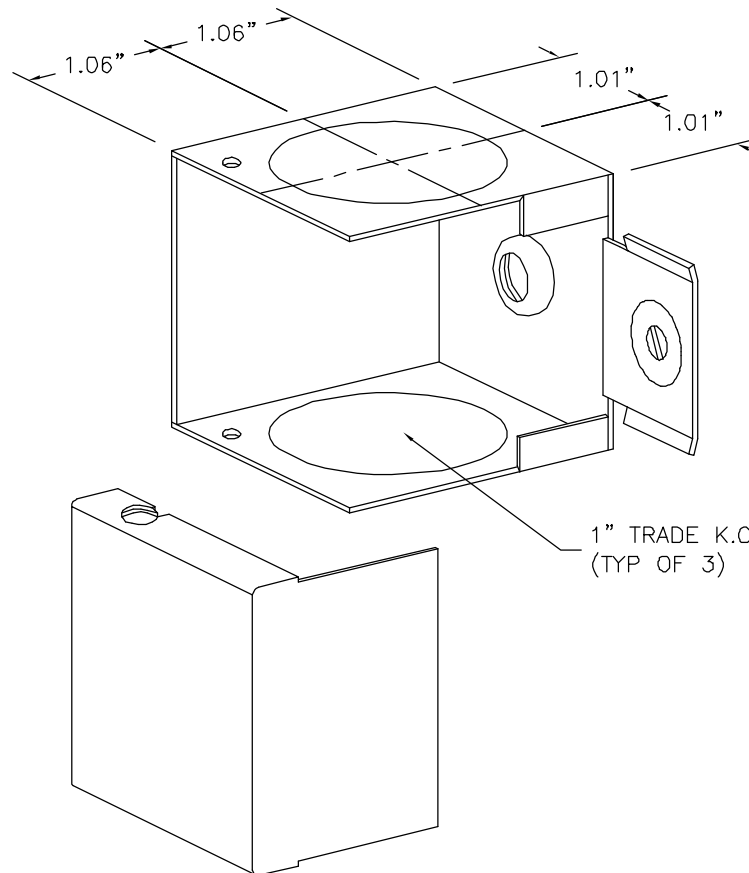
**SnapMark™**  
SMS2100 Series

ENTRANCE END — (SMS2110C-1)

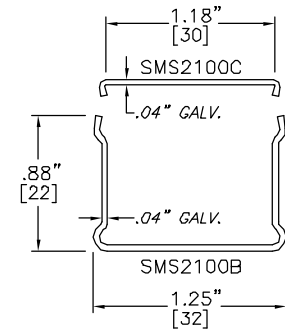
MATERIAL: STEEL — IVORY FINISH



SMS2110C-1  
ENTRANCE END FITTING



1" TRADE K.O.  
(TYP OF 3)



SMS2100 SERIES  
STEEL RACEWAY  
SECTION VIEW  
STANDARD IVORY FINISH  
EACH ORDERED SEPARATELY  
SCALE: NONE

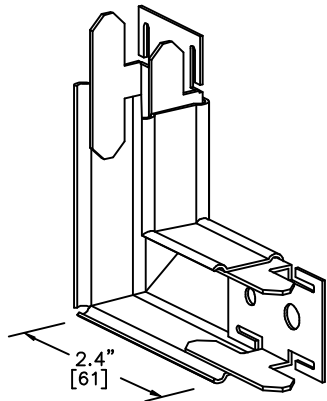


**MONO-SYSTEMS, INC.**  
UNIQUE CABLE DISTRIBUTION SOLUTIONS  
4 INTERNATIONAL DRIVE  
RYE BROOK, NEW YORK 10573  
PHONE: (914)-934-2075  
FAX: (914)-934-2190

**SnapMark™**  
**SMS2100 Series**

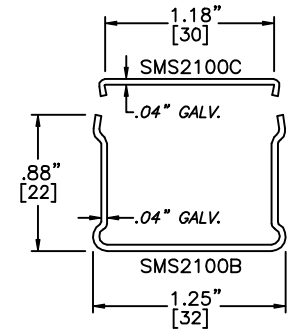
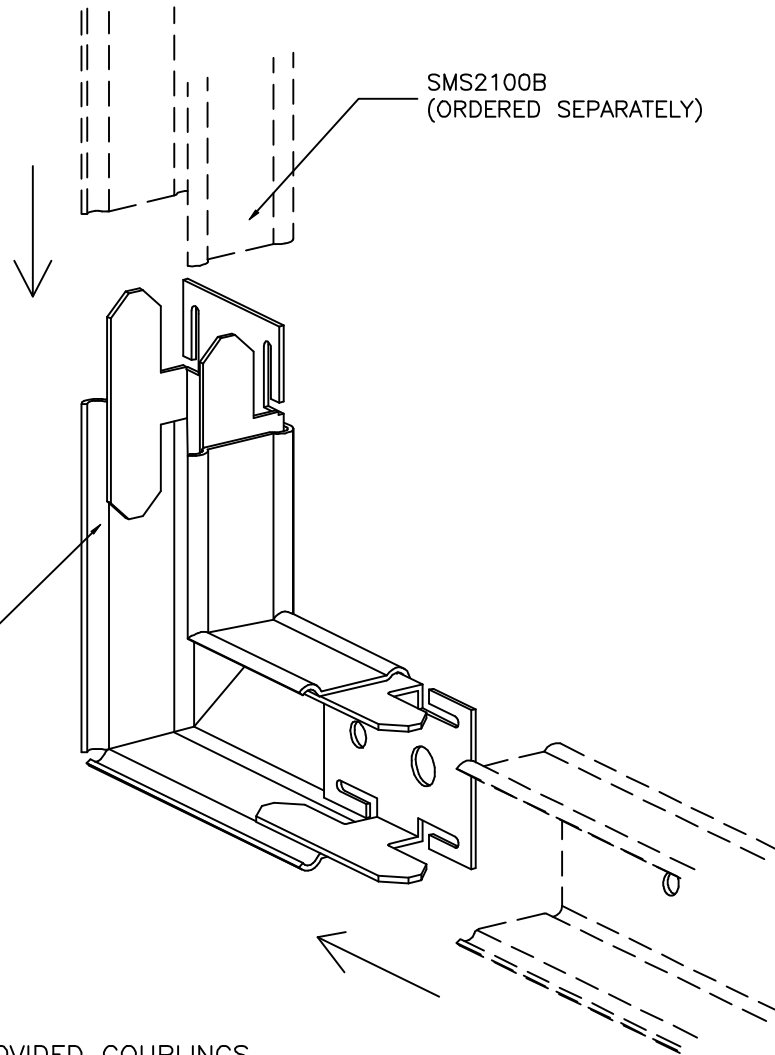
**90° FLAT ELBOW – (SMS2111)**

MATERIAL: STEEL – IVORY FINISH



SMS2111  
 FLAT ELBOW

SMS2111  
 FLAT ELBOW



SMS2100 SERIES  
 STEEL RACEWAY  
 SECTION VIEW  
 STANDARD IVORY FINISH  
 EACH ORDERED SEPARATELY  
 SCALE: NONE

ASSEMBLY INSTRUCTIONS

1. SLIDE SMS2100B SECTIONS AS SHOWN OVER PROVIDED COUPLINGS.
2. USE SMS2100C COVER OVER ELBOW OPENING. (ORDERED SEPARATELY)

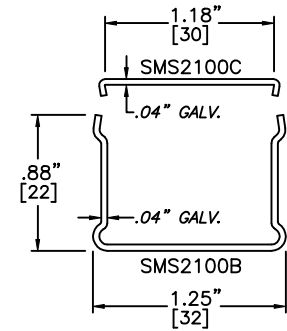


**MONO-SYSTEMS, INC.**  
 UNIQUE CABLE DISTRIBUTION SOLUTIONS  
 4 INTERNATIONAL DRIVE  
 RYE BROOK, NEW YORK 10573  
 PHONE: (914)-934-2075  
 FAX: (914)-934-2190

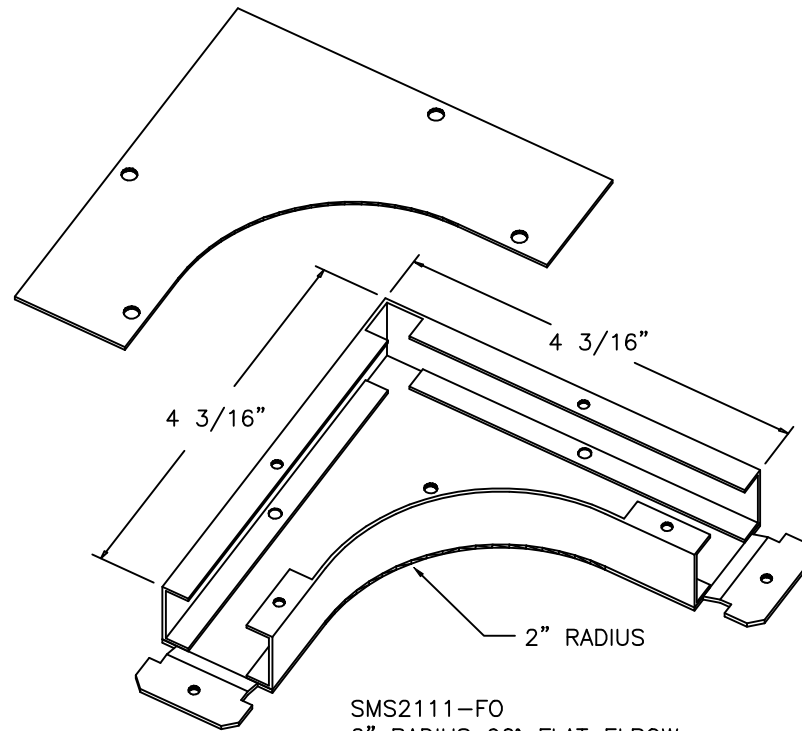
**SnapMark™**  
**SMS2100 Series**

# 2" RADIUS 90° FLAT ELBOW – (SMS2111-FO)

MATERIAL: STEEL – IVORY FINISH



SMS2100 SERIES  
STEEL RACEWAY  
SECTION VIEW  
STANDARD IVORY FINISH  
EACH ORDERED SEPARATELY  
SCALE: NONE



SMS2111-FO  
2" RADIUS 90° FLAT ELBOW  
(ASSEMBLY HARDWARE PROVIDED)

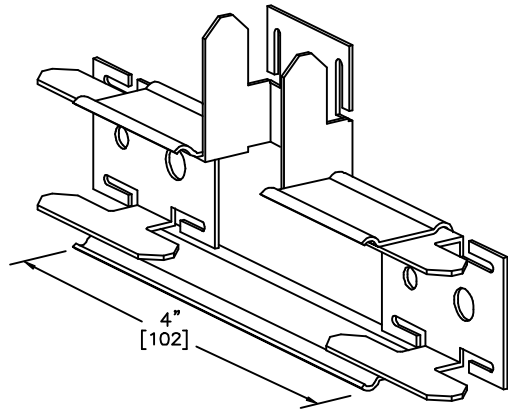


**MONO-SYSTEMS, INC.**  
UNIQUE CABLE DISTRIBUTION SOLUTIONS  
4 INTERNATIONAL DRIVE  
RYE BROOK, NEW YORK 10573  
PHONE: (914)-934-2075  
FAX: (914)-934-2190

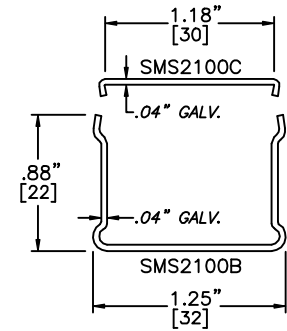
**SnapMark™**  
SMS2100 Series

TEE — (SMS2115)

MATERIAL: STEEL — IVORY FINISH

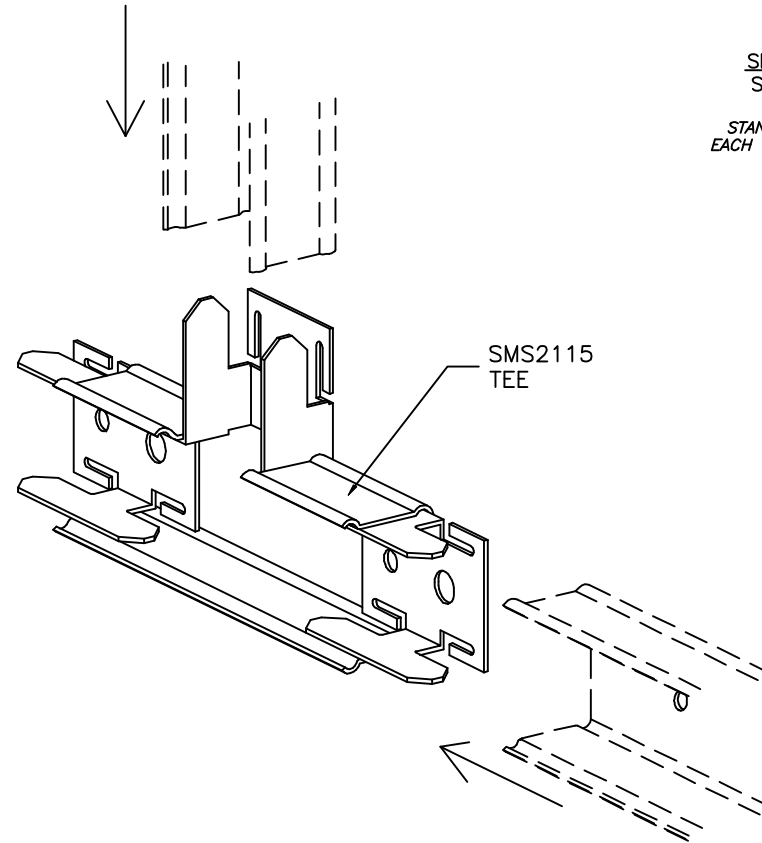


SMS2115  
TEE



SMS2100 SERIES  
STEEL RACEWAY  
SECTION VIEW  
STANDARD IVORY FINISH  
EACH ORDERED SEPARATELY  
SCALE: NONE

SMS2100B  
(ORDERED SEPARATELY)



**MONO-SYSTEMS, INC.**  
UNIQUE CABLE DISTRIBUTION SOLUTIONS  
4 INTERNATIONAL DRIVE  
RYE BROOK, NEW YORK 10573  
PHONE: (914)-934-2075  
FAX: (914)-934-2190

ASSEMBLY INSTRUCTIONS

1. SLIDE SMS2100B SECTIONS AS SHOWN OVER PROVIDED COUPLINGS.
2. USE SMS2100C COVER OVER TEE OPENING. (ORDERED SEPARATELY)

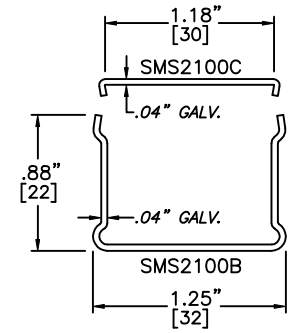
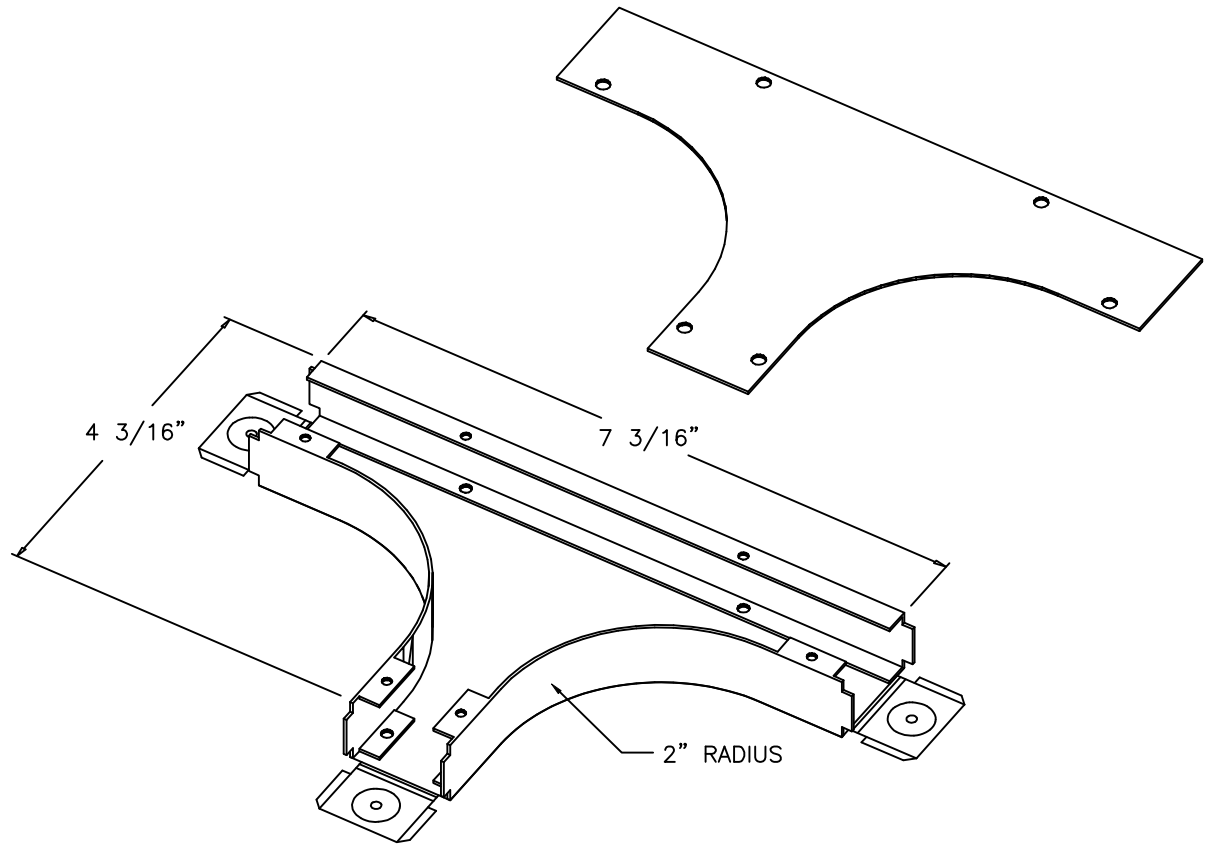
FILENAME: SMS2115

[www.monosystems.com](http://www.monosystems.com)

SnapMark™  
SMS2100 Series

# 2" RADIUS TEE – (SMS2115-FO)

MATERIAL: STEEL – IVORY FINISH



SMS2100 SERIES  
STEEL RACEWAY  
SECTION VIEW  
STANDARD IVORY FINISH  
EACH ORDERED SEPARATELY  
SCALE: NONE

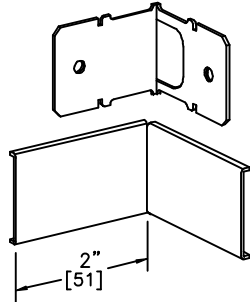
SMS2115-FO  
2" RADIUS TEE  
(ASSEMBLY HARDWARE PROVIDED)



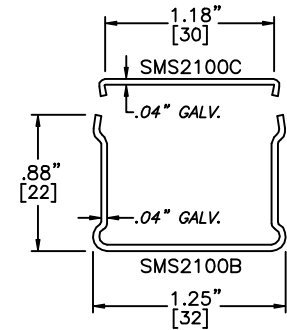
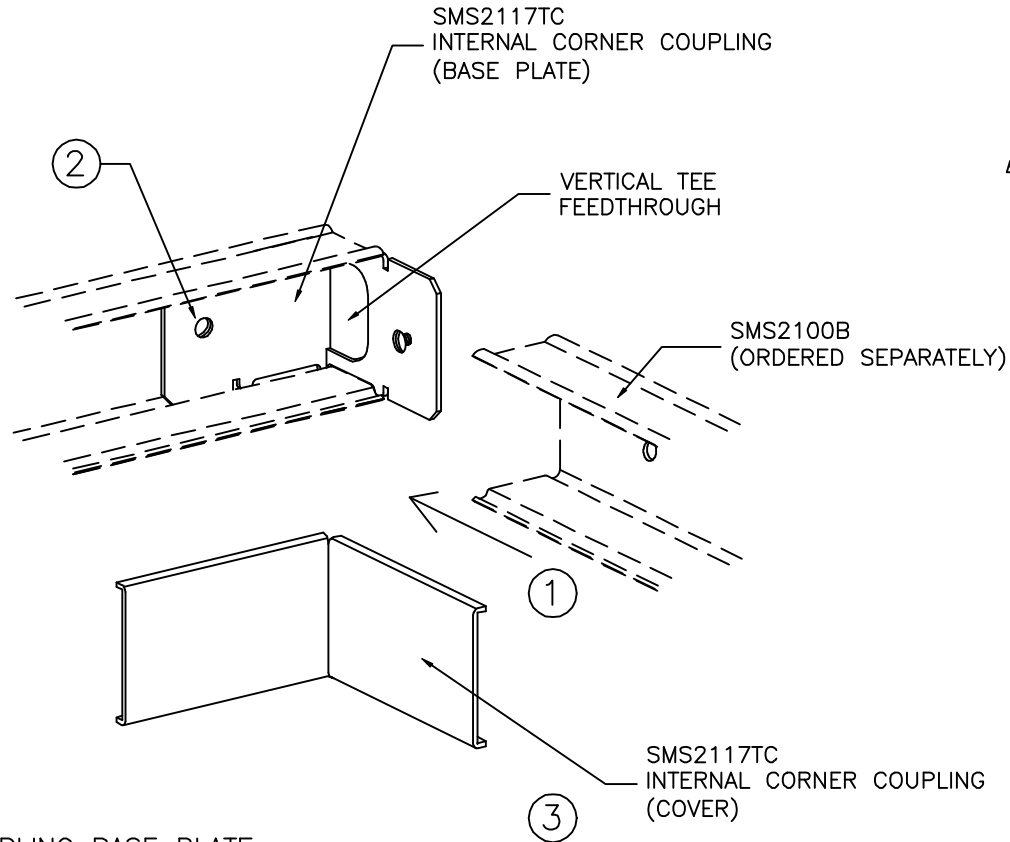
**SnapMark™**  
SMS2100 Series

# INTERNAL CORNER COUPLING – (SMS2117TC)

MATERIAL: STEEL – GALV / IVORY FINISH



SMS2117TC  
INTERNAL CORNER COUPLING



SMS2100 SERIES  
STEEL RACEWAY  
SECTION VIEW  
STANDARD IVORY FINISH  
EACH ORDERED SEPARATELY  
SCALE: NONE

## ASSEMBLY INSTRUCTIONS

1. SLIDE SMS2100B SECTIONS OVER COUPLING BASE PLATE.
2. SECURE IN PLACE USING PROVIDED NO. 6 SET SCREWS.
3. SNAP PROVIDED COVER INTO PLACE.
4. CAN ALSO BE USED AS A VERTICAL TEE.

FILENAME: SMS2117TC

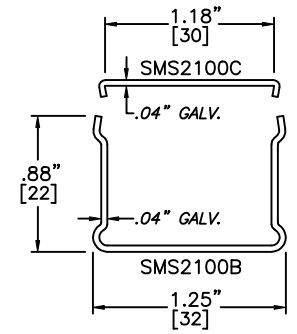
[www.monosystems.com](http://www.monosystems.com)



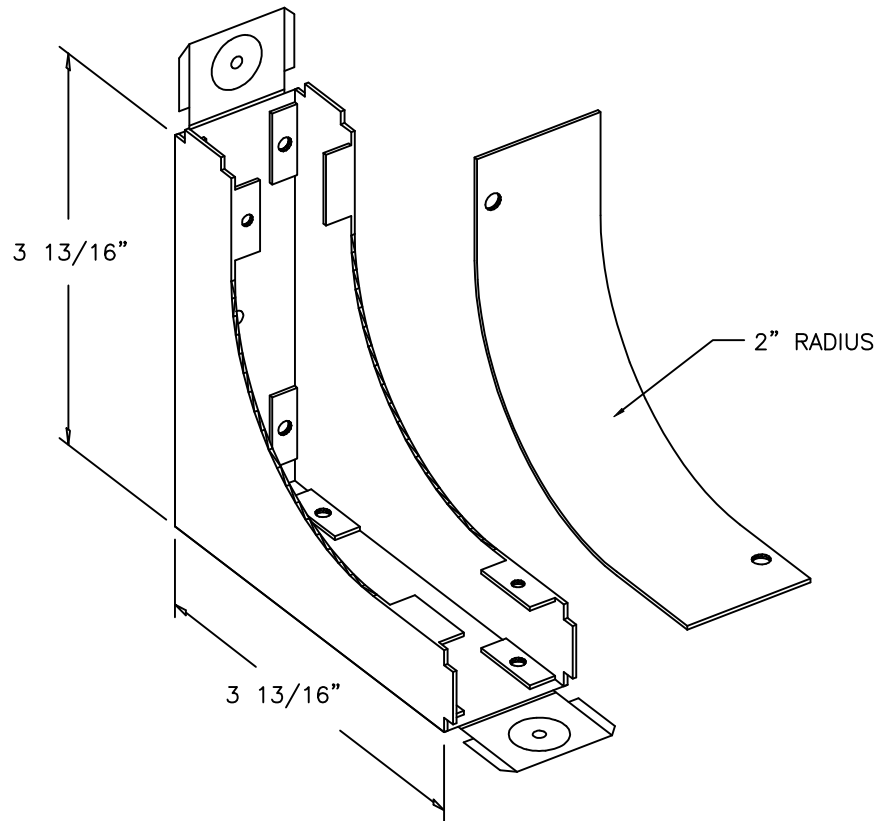
**MONO-SYSTEMS, INC.**  
UNIQUE CABLE DISTRIBUTION SOLUTIONS  
4 INTERNATIONAL DRIVE  
RYE BROOK, NEW YORK 10573  
PHONE: (914)-934-2075  
FAX: (914)-934-2190

**SnapMark™**  
**SMS2100 Series**

**2" RADIUS 90° INTERNAL ELBOW – (SMS2117TC-FO)**  
 MATERIAL: STEEL – IVORY FINISH



SMS2100 SERIES  
 STEEL RACEWAY  
 SECTION VIEW  
 STANDARD IVORY FINISH  
 EACH ORDERED SEPARATELY  
 SCALE: NONE



SMS2117TC-FO  
 2" RADIUS 90° INTERNAL ELBOW  
 (ASSEMBLY HARDWARE PROVIDED)

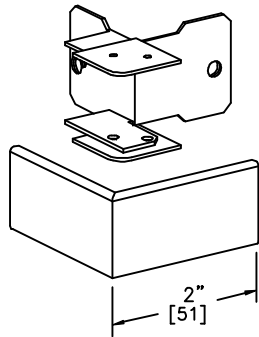


**MONO-SYSTEMS, INC.**  
 UNIQUE CABLE DISTRIBUTION SOLUTIONS  
 4 INTERNATIONAL DRIVE  
 RYE BROOK, NEW YORK 10573  
 PHONE: (914)-934-2075  
 FAX: (914)-934-2190

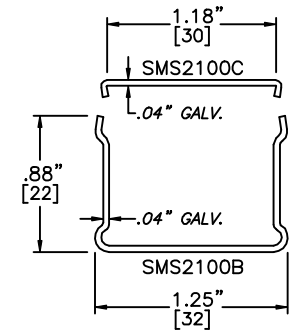
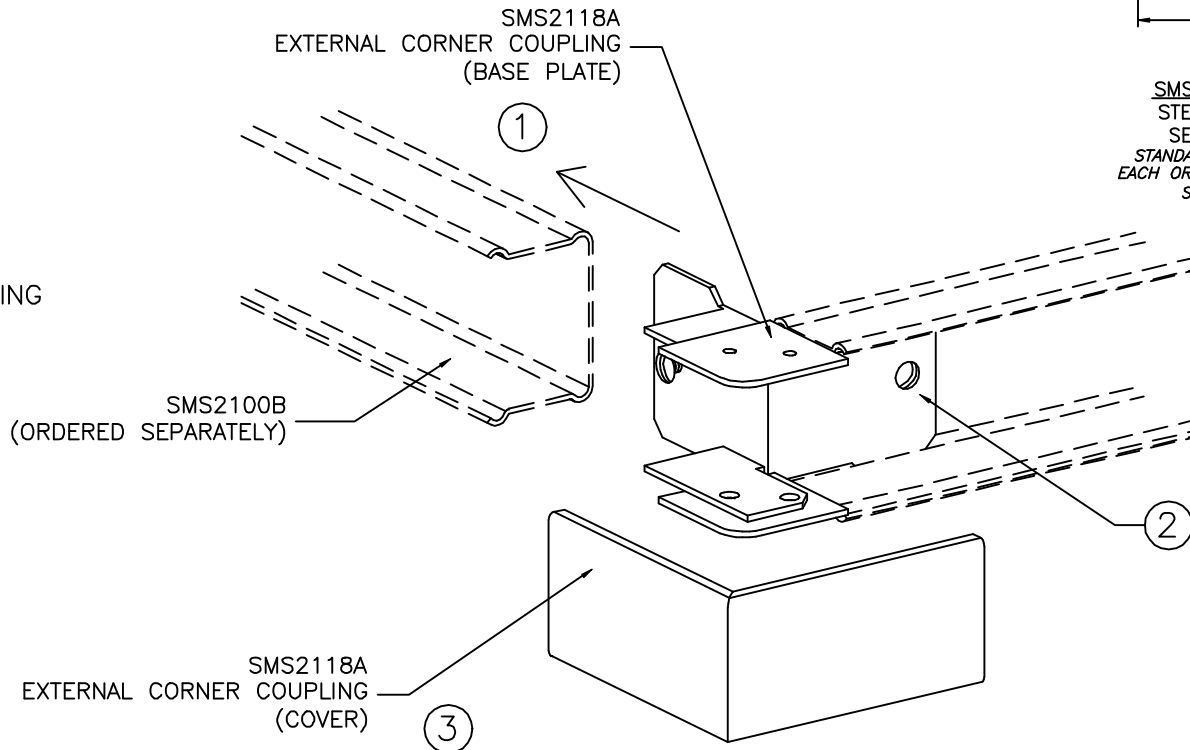
**SnapMark™**  
SMS2100 Series

# EXTERNAL CORNER COUPLING – (SMS2118A)

MATERIAL: STEEL – GALV / IVORY FINISH



SMS2118A  
EXTERNAL CORNER COUPLING



SMS2100 SERIES  
STEEL RACEWAY  
SECTION VIEW  
STANDARD IVORY FINISH  
EACH ORDERED SEPARATELY  
SCALE: NONE

## ASSEMBLY INSTRUCTIONS

1. SLIDE SMS2100B SECTIONS OVER COUPLING PLATE.
2. SECURE IN PLACE USING PROVIDED NO. 6 SET SCREWS.
3. SNAP PROVIDED COVER INTO PLACE.

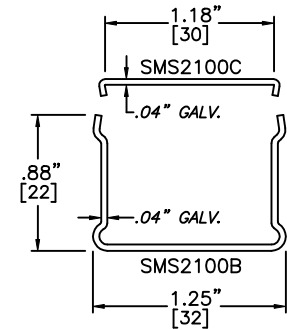


**MONO-SYSTEMS, INC.**  
UNIQUE CABLE DISTRIBUTION SOLUTIONS  
4 INTERNATIONAL DRIVE  
RYE BROOK, NEW YORK 10573  
PHONE: (914)-934-2075  
FAX: (914)-934-2190

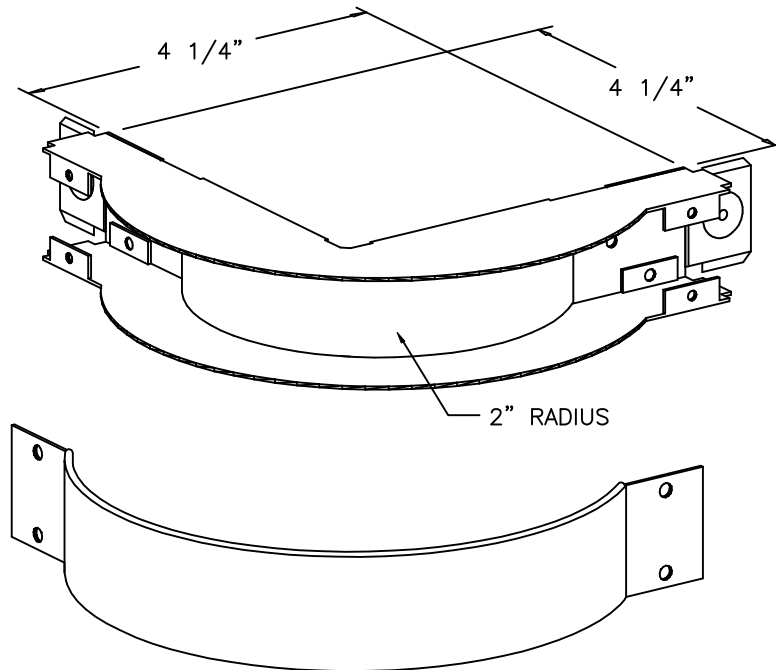
**SnapMark™**  
**SMS2100 Series**

# 2" RADIUS 90° EXTERNAL ELBOW – (SMS2118A-FO)

MATERIAL: STEEL – IVORY FINISH



SMS2100 SERIES  
STEEL RACEWAY  
SECTION VIEW  
STANDARD IVORY FINISH  
EACH ORDERED SEPARATELY  
SCALE: NONE



SMS2118A-FO  
2" RADIUS 90° EXTERNAL ELBOW  
(ASSEMBLY HARDWARE PROVIDED)

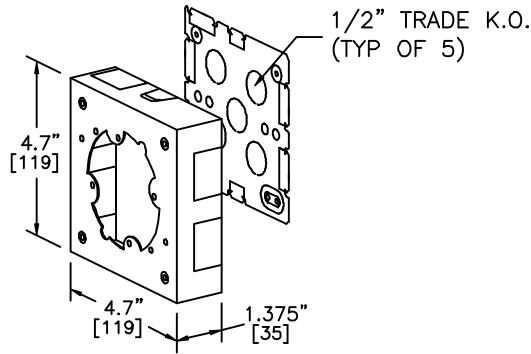


**MONO-SYSTEMS, INC.**  
UNIQUE CABLE DISTRIBUTION SOLUTIONS  
4 INTERNATIONAL DRIVE  
RYE BROOK, NEW YORK 10573  
PHONE: (914)-934-2075  
FAX: (914)-934-2190

**SnapMark™**  
SMS2100 Series

# DISTRIBUTION BOX – (SMS2135)

MATERIAL: STEEL – GALV / IVORY FINISH



SMS2135  
DISTRIBUTION BOX  
31 C.I. CAPACITY

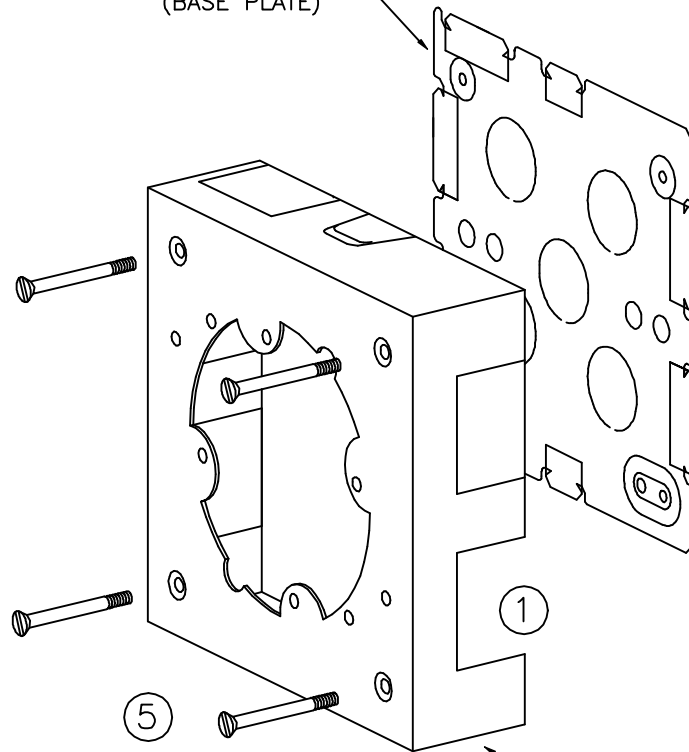
- A.) CAN ACCOMMODATE DEVICES WITH MOUNTING MOUNTING CENTERS OF 2 3/4", 3 1/2" OR 4 1/16" AND CANOPY FIXTURES NOT LARGER THAN 4 5/8" DIA.
- B.) CAN ALSO ACCOMMODATE A THROUGH RUN OF SMS500 OR SMS700.
- C.) 10–32 GROUND SCREW PROVIDED.

## ASSEMBLY INSTRUCTIONS

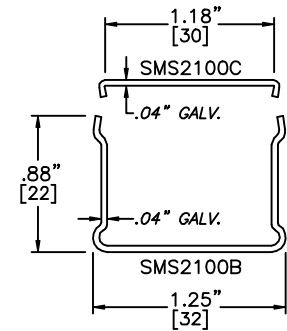
1. REMOVE APPROPRIATE RACEWAY K.O. FROM COVER.
2. SLIDE SMS2100B SECTIONS OVER TAB ON BASE PLATE.
3. SECURE BASE PLATE TO MOUNTING SURFACE USING APPROPRIATE HARDWARE. (BY OTHERS)
4. TERMINATE WIRING PER NEC AND LOCAL CODES.
5. ATTACH COVER TO BASE PLATE USING PROVIDED NO. 6 HARDWARE.

FILENAME: SMS2135

SMS2135  
DISTRIBUTION BOX  
(BASE PLATE)



SMS2135  
DISTRIBUTION BOX  
(COVER)



SMS2100 SERIES  
STEEL RACEWAY  
SECTION VIEW  
STANDARD IVORY FINISH  
EACH ORDERED SEPARATELY  
SCALE: NONE

SMS2100B  
(ORDERED SEPARATELY)

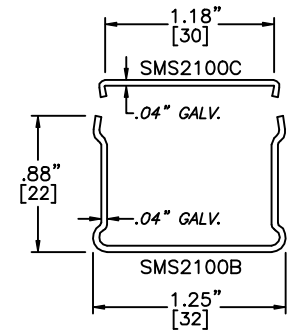


**MONO-SYSTEMS, INC.**  
UNIQUE CABLE DISTRIBUTION SOLUTIONS  
4 INTERNATIONAL DRIVE  
RYE BROOK, NEW YORK 10573  
PHONE: (914)-934-2075  
FAX: (914)-934-2190

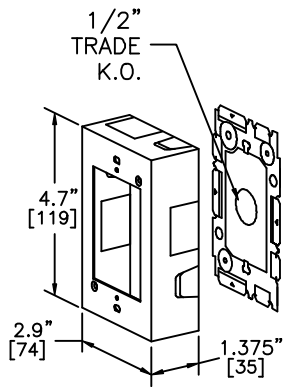
[www.monosystems.com](http://www.monosystems.com)

**SnapMark™**  
SMS2100 Series

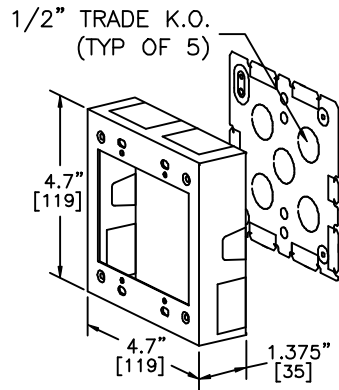
SWITCH AND RECEPTACLE BOX – SINGLE GANG (SMS2141)  
SWITCH AND RECEPTACLE BOX – TWO GANG (SMS2141-2)  
MATERIAL: STEEL – GALV / IVORY FINISH



SMS2100 SERIES  
STEEL RACEWAY  
SECTION VIEW  
STANDARD IVORY FINISH  
EACH ORDERED SEPARATELY  
SCALE: NONE

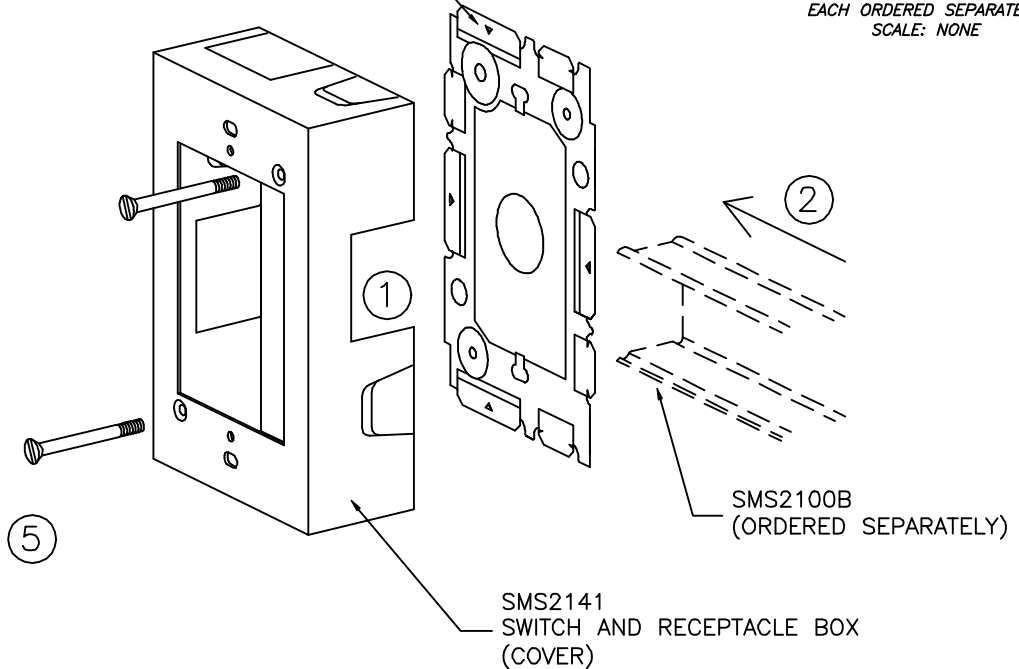


SMS2141  
SINGLE GANG  
18 C.I. CAPACITY



SMS2141-2  
TWO GANG  
31 C.I. CAPACITY

SMS2141  
SWITCH AND RECEPTACLE BOX  
(BASE PLATE)



A.) FOR SHALLOW SWITCHES, RECEPTACLES  
AND COMBINATION DEVICES.

B.) CAN ALSO ACCOMMODATE A THROUGH RUN  
OF SMS500 OR SMS700.

C.) 10-32 GROUND SCREW PROVIDED.

### ASSEMBLY INSTRUCTIONS

1. REMOVE APPROPRIATE RACEWAY K.O. FROM COVER.
2. SLIDE SMS2100B SECTIONS OVER TAB ON BASE PLATE.
3. SECURE BASE PLATE TO MOUNTING SURFACE USING  
APPROPRIATE HARDWARE. (BY OTHERS)
4. TERMINATE WIRING PER NEC AND LOCAL CODES.
5. ATTACH COVER TO BASE PLATE USING PROVIDED NO. 6 HARDWARE.

FILENAME: SMS2141

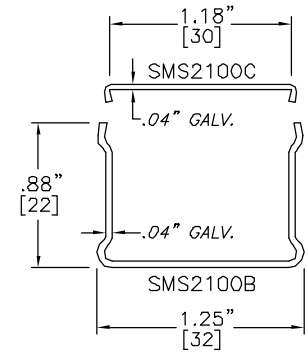
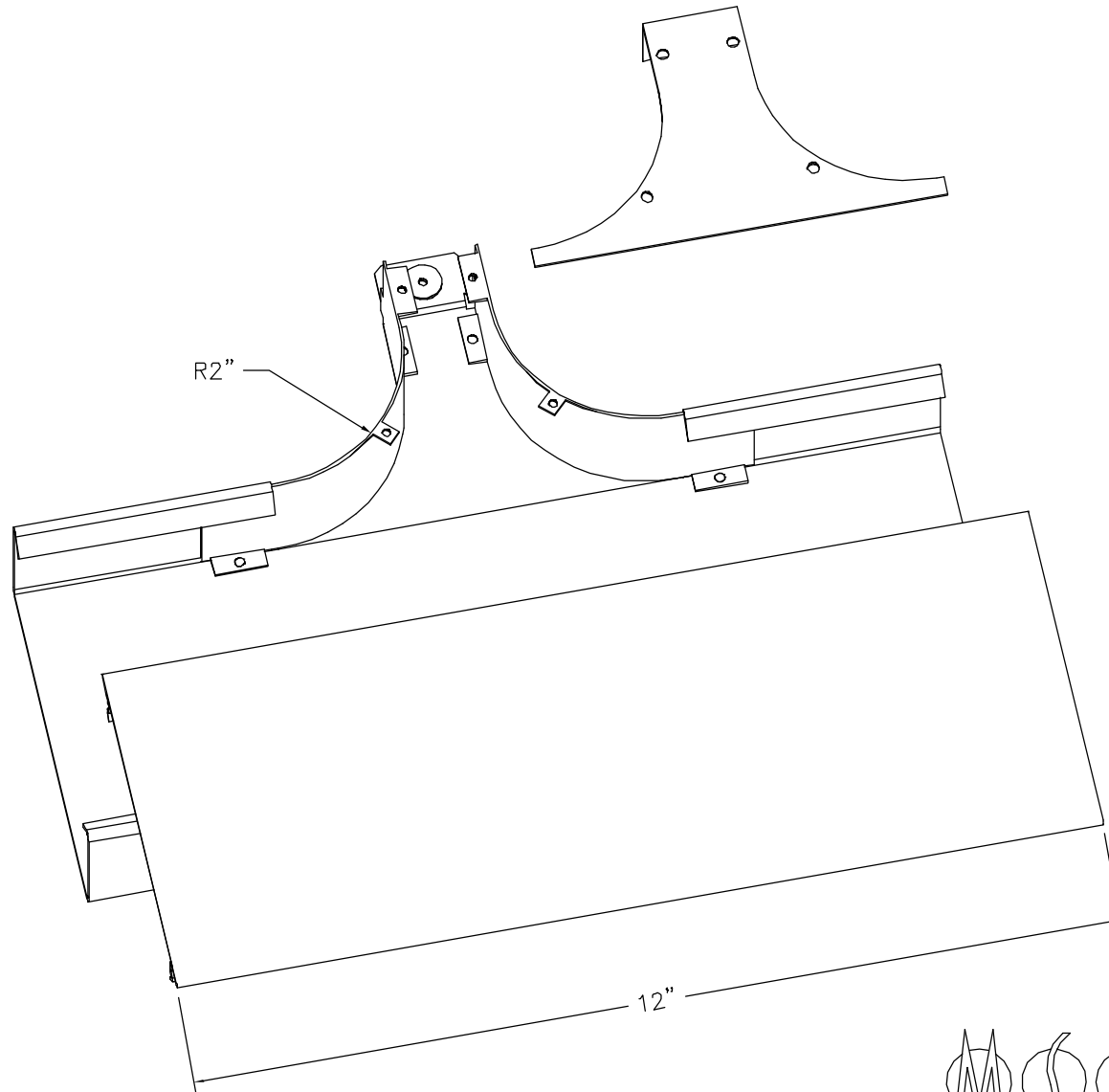
[www.monosystems.com](http://www.monosystems.com)



**MONO-SYSTEMS, INC.**  
UNIQUE CABLE DISTRIBUTION SOLUTIONS  
4 INTERNATIONAL DRIVE  
RYE BROOK, NEW YORK 10573  
PHONE: (914)-934-2075  
FAX: (914)-934-2190

**SnapMark™**  
**SMS2100 Series**

# SMS2100 / SMS4200 ADAPTER (SMS2142)



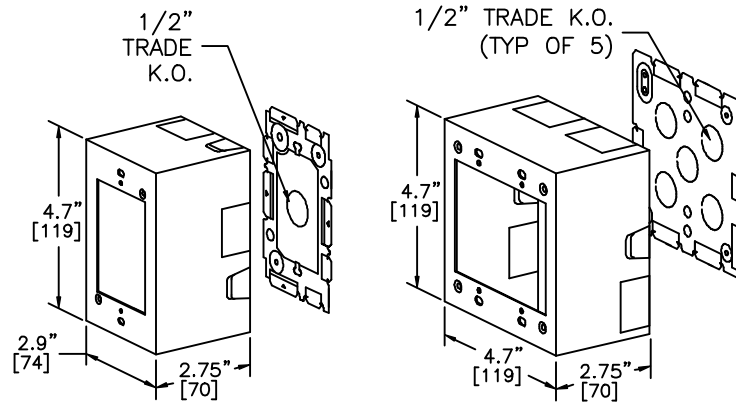
SMS2100 SERIES  
STEEL RACEWAY  
SECTION VIEW  
STANDARD IVORY FINISH  
EACH ORDERED SEPARATELY  
SCALE: NONE



**SnapMark™**  
**SMS2100 Series**

EXTRA DEEP SWITCH AND RECEPTACLE BOX – SINGLE GANG (SMS2144)  
 EXTRA DEEP SWITCH AND RECEPTACLE BOX – TWO GANG (SMS2144-2)

MATERIAL: STEEL – GALV / IVORY FINISH



SMS2144  
 SINGLE GANG  
 37 C.I. CAPACITY

SMS2144-2  
 TWO GANG  
 62 C.I. CAPACITY

A.) FOR SWITCHES AND RECEPTACLES  
 UP TO 30A RATING.

B.) CAN ALSO ACCOMMODATE A THROUGH RUN  
 OF SMS500 OR SMS700.

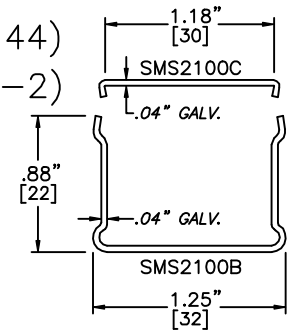
C.) 10-32 GROUND SCREW PROVIDED.

ASSEMBLY INSTRUCTIONS

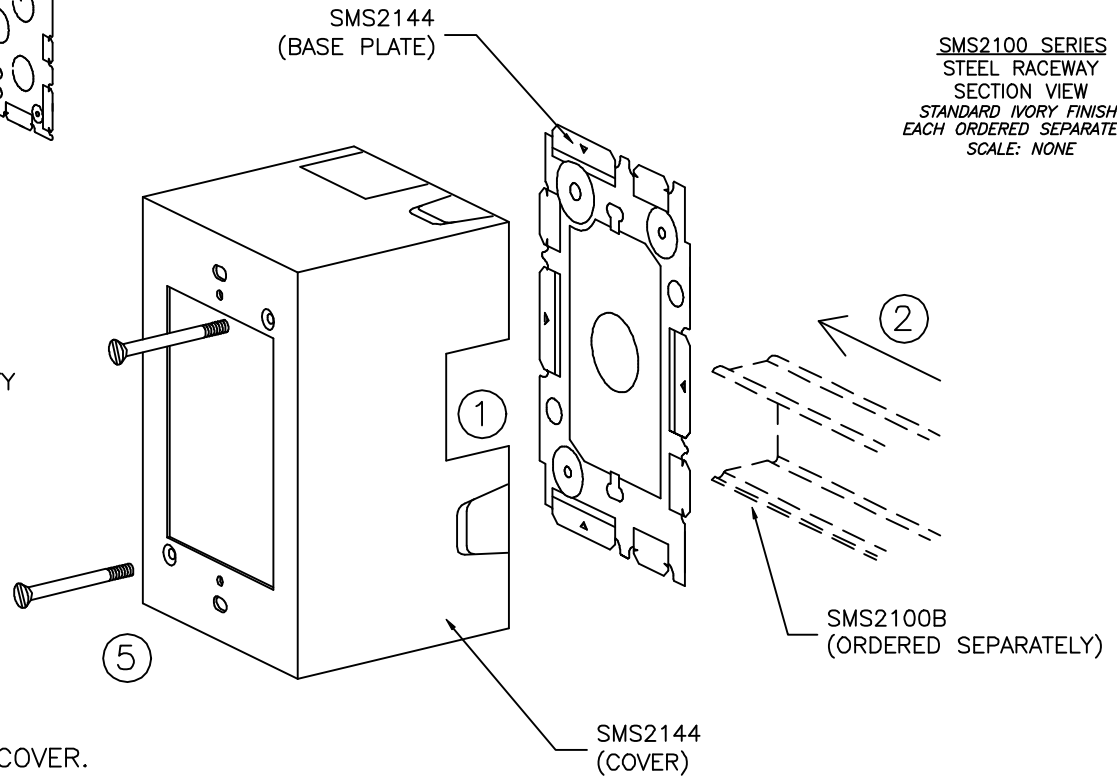
1. REMOVE APPROPRIATE RACEWAY K.O. FROM COVER.
2. SLIDE SMS2100B SECTIONS OVER TAB ON BASE PLATE.
3. SECURE BASE PLATE TO MOUNTING SURFACE USING  
 APPROPRIATE HARDWARE. (BY OTHERS)
4. TERMINATE WIRING PER NEC AND LOCAL CODES.
5. ATTACH COVER TO BASE PLATE USING PROVIDED NO. 6 HARDWARE.

FILENAME: SMS2144

[www.monosystems.com](http://www.monosystems.com)



SMS2100 SERIES  
 STEEL RACEWAY  
 SECTION VIEW  
 STANDARD IVORY FINISH  
 EACH ORDERED SEPARATELY  
 SCALE: NONE



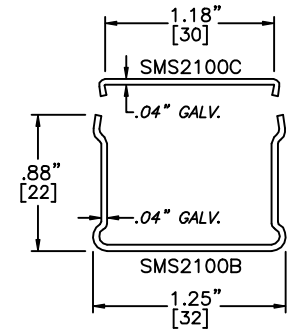
**MONO-SYSTEMS, INC.**  
 UNIQUE CABLE DISTRIBUTION SOLUTIONS  
 4 INTERNATIONAL DRIVE  
 RYE BROOK, NEW YORK 10573  
 PHONE: (914)-934-2075  
 FAX: (914)-934-2190

**SnapMark™**  
SMS2100 Series

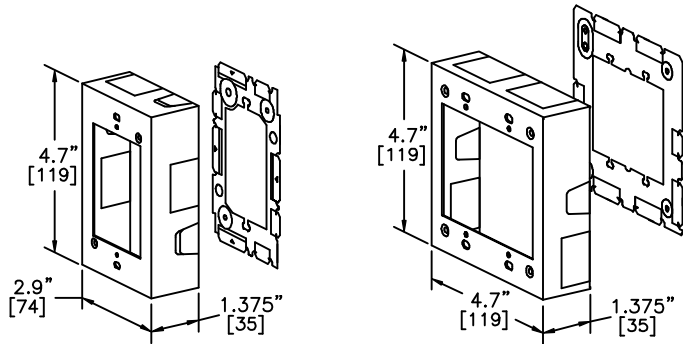
EXTENSION ADAPTER BOX – SINGLE GANG (SMS2151)

EXTENSION ADAPTER BOX – TWO GANG (SMS2151-2)

MATERIAL: STEEL – GALV / IVORY FINISH



SMS2100 SERIES  
STEEL RACEWAY  
SECTION VIEW  
STANDARD IVORY FINISH  
EACH ORDERED SEPARATELY  
SCALE: NONE



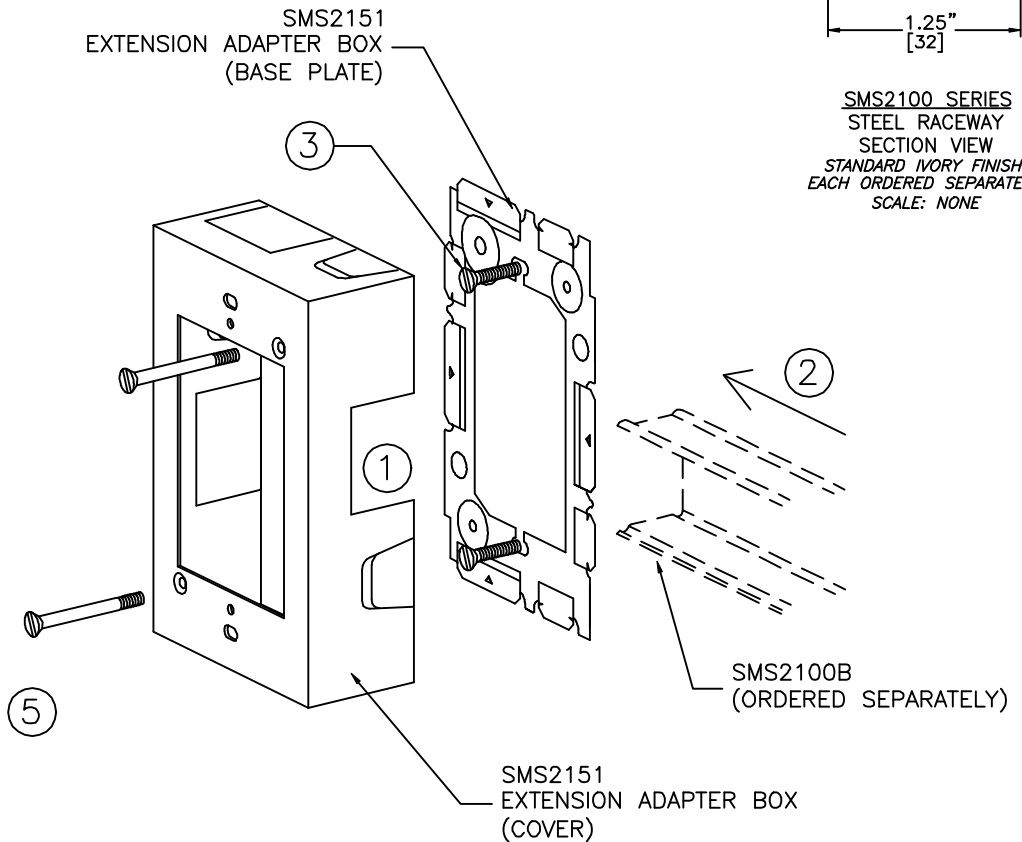
SMS2151  
SINGLE GANG  
18 C.I. CAPACITY

SMS2151-2  
TWO GANG  
31 C.I. CAPACITY

A.) FOR EXTENDING FROM EXISTING FLUSH RECEPTACLE AND SWITCH OUTLETS.

B.) CAN ALSO ACCOMMODATE A THROUGH RUN OF SMS500 OR SMS700.

C.) 10-32 GROUND SCREW PROVIDED.



### ASSEMBLY INSTRUCTIONS

1. REMOVE APPROPRIATE RACEWAY K.O. FROM COVER.
2. SLIDE SMS2100B SECTIONS OVER TAB ON BASE PLATE.
3. SECURE BASE PLATE TO EXISTING FLUSH OUTLET USING PROVIDED HARDWARE.
4. TERMINATE WIRING PER NEC AND LOCAL CODES.
5. ATTACH COVER TO BASE PLATE USING PROVIDED NO. 6 HARDWARE.

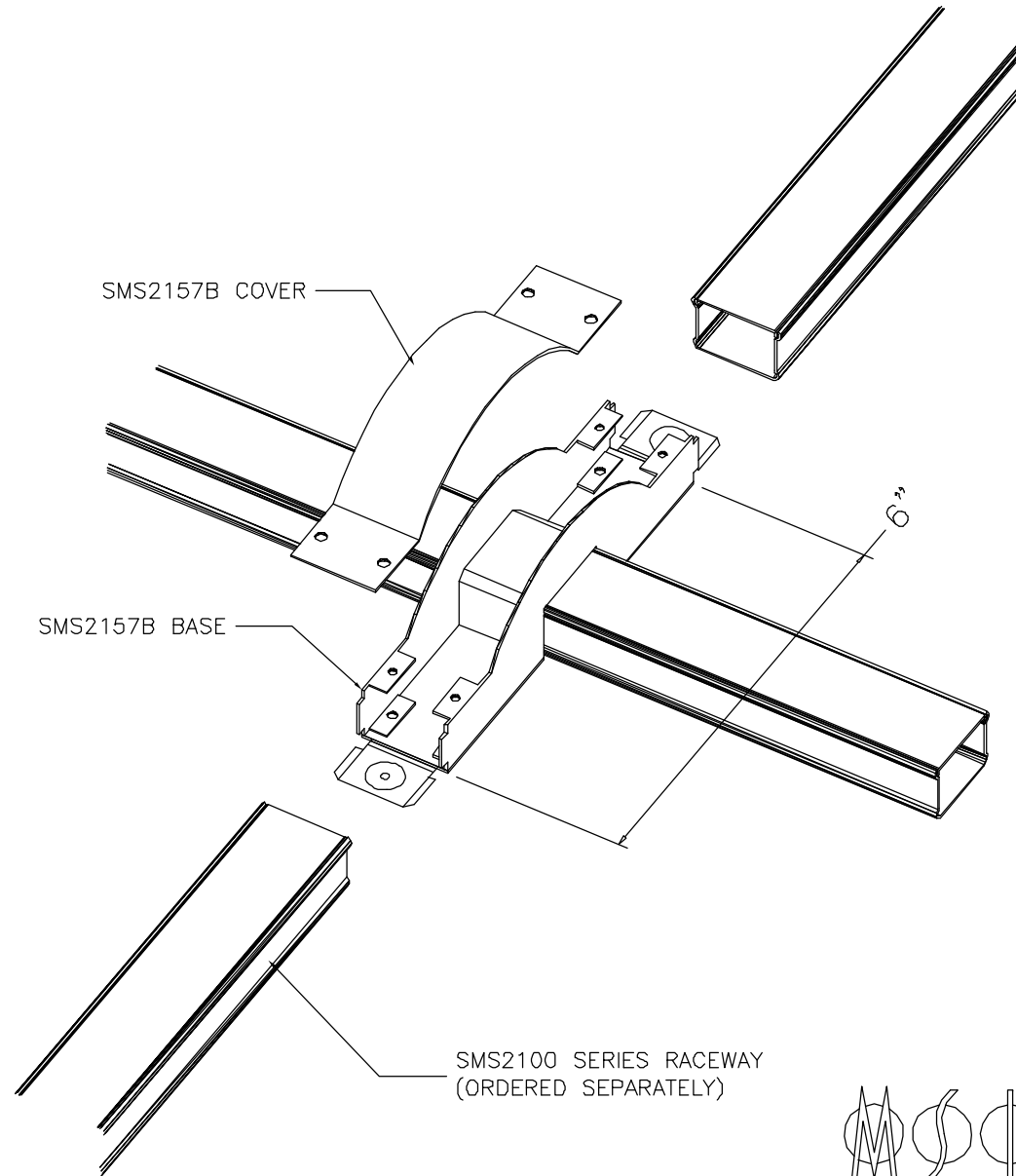
FILENAME: SMS2151

[www.monosystems.com](http://www.monosystems.com)



**MONO-SYSTEMS, INC.**  
UNIQUE CABLE DISTRIBUTION SOLUTIONS  
4 INTERNATIONAL DRIVE  
RYE BROOK, NEW YORK 10573  
PHONE: (914)-934-2075  
FAX: (914)-934-2190

M.S.I. P/N: SMS2157B  
BRIDGE OVER SMS500/700 & SMS2100 SERIES RACEWAYS



PATENT PENDING  
ASSEMBLY HARDWARE PROVIDED  
AVAILABLE IN STANDARD IVORY

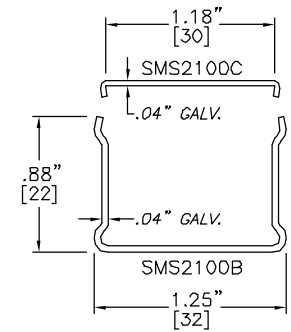
05/01/02 DOCUMENT REF. NO.: SMS2157B.DWG



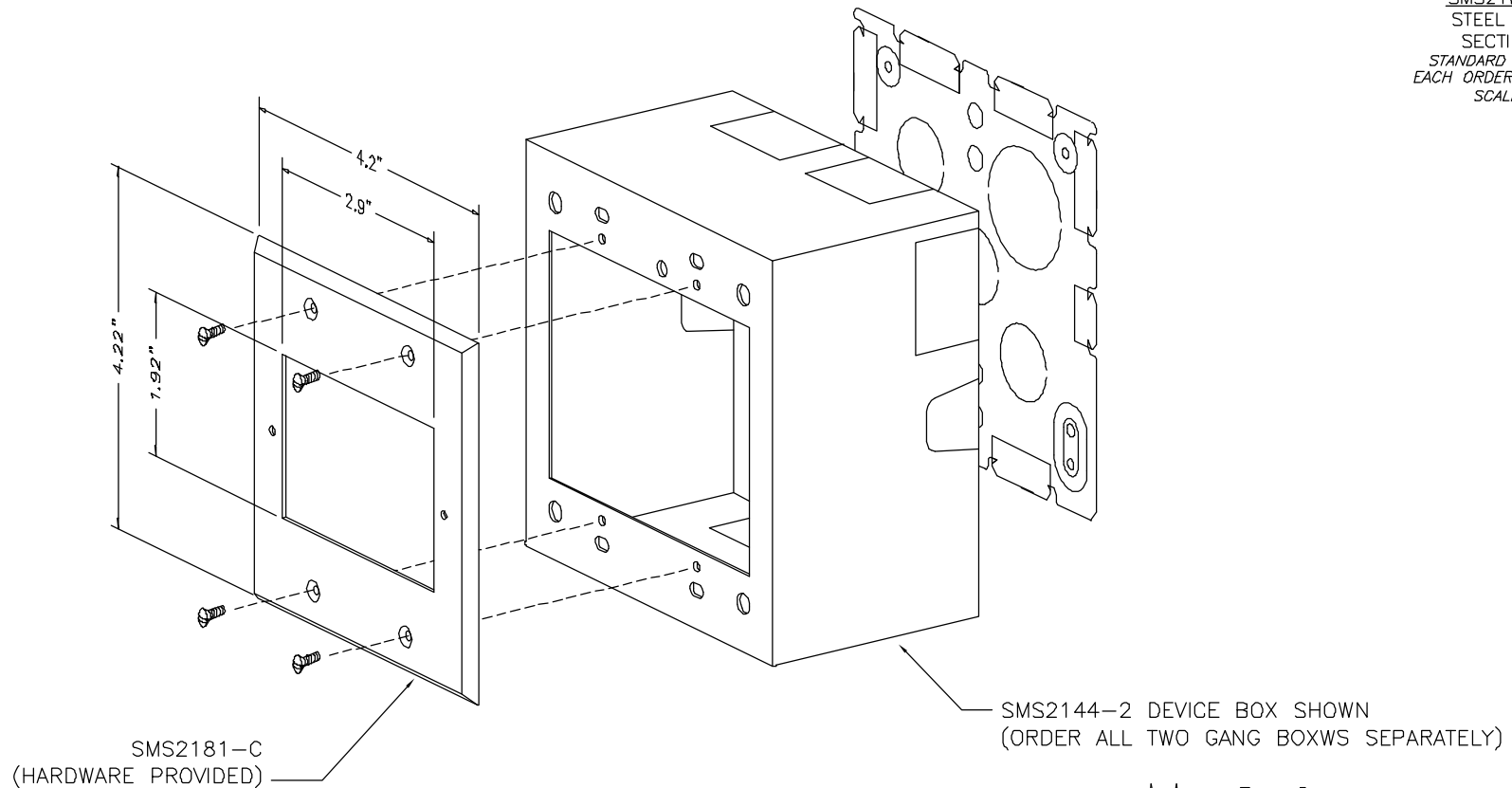
**MONO-SYSTEMS, INC.**  
UNIQUE CABLE DISTRIBUTION SOLUTIONS  
4 INTERNATIONAL DRIVE  
RYE BROOK, NEW YORK 10573  
PHONE: (914)-934-2075  
FAX: (914)-934-2190

**SnapMark™**  
**SMS2100 Series**

HORIZONTAL DEVICE ADAPTER (SMS2181-C)



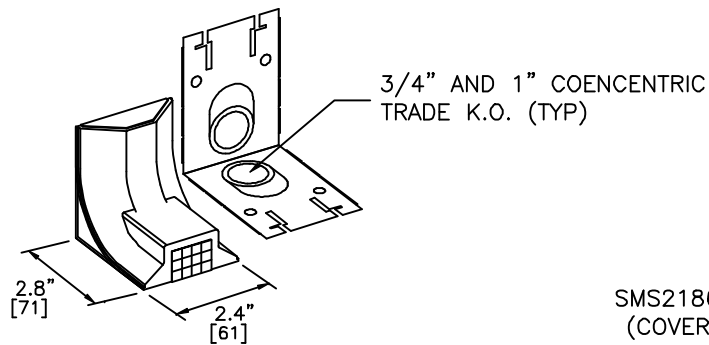
SMS2100 SERIES  
 STEEL RACEWAY  
 SECTION VIEW  
 STANDARD IVORY FINISH  
 EACH ORDERED SEPARATELY  
 SCALE: NONE



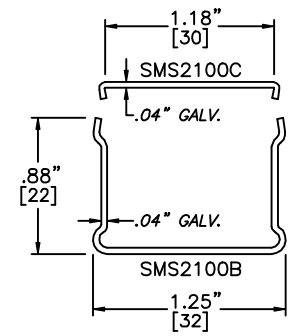
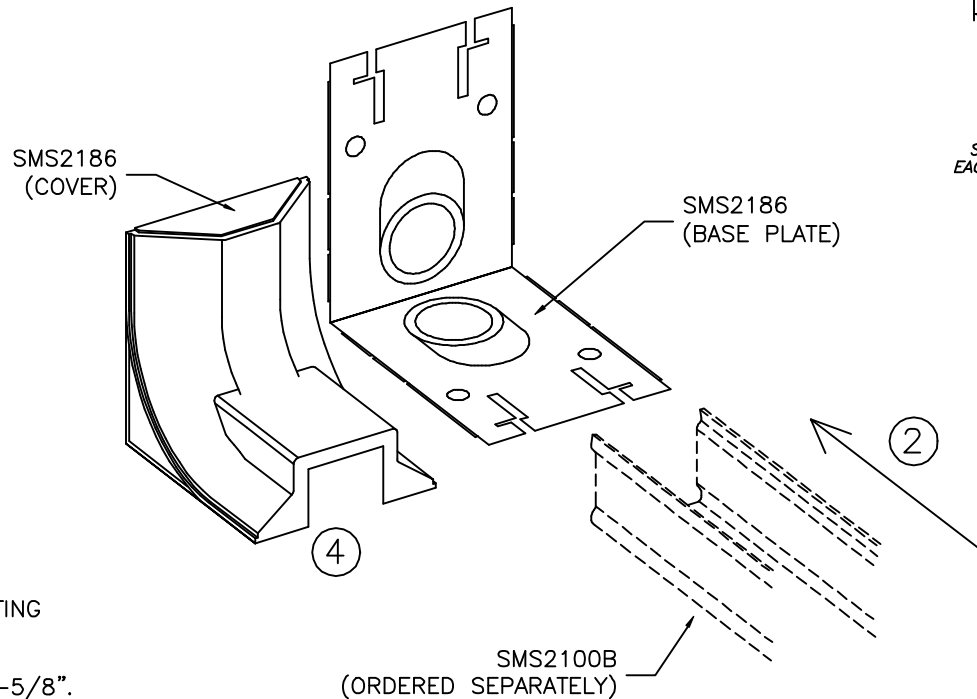
**SnapMark™**  
SMS2100 Series

# ADJUSTABLE OFFSET CONNECTOR – (SMS2186)

MATERIAL: STEEL – GALV / DIE CAST COVER – IVORY FINISH



SMS2186  
ADJUSTABLE OFFSET CONNECTOR



SMS2100 SERIES  
STEEL RACEWAY  
SECTION VIEW  
STANDARD IVORY FINISH  
EACH ORDERED SEPARATELY  
SCALE: NONE

- A.) ELIMINATES OFFSETTING RACEWAY WHEN CONNECTING TO SURFACE PANEL BOXES. (BY OTHERS)
- B.) CAN ACCOMMODATE ADJUSTMENT FROM 1" TO 1-5/8".

## ASSEMBLY INSTRUCTIONS

1. ATTACH ADJUSTABLE OFFSET CONNECTOR TO PANEL BOX (BY OTHERS) USING HARDWARE BY OTHERS.
2. SLIDE RACEWAY ONTO BASE PLATE TAB.
3. TERMINATE WIRING PER NEC AND LOCAL CODES.
4. REMOVE K.O. FROM COVER AND SNAP ONTO BASE PLATE.



**MONO-SYSTEMS, INC.**  
UNIQUE CABLE DISTRIBUTION SOLUTIONS  
4 INTERNATIONAL DRIVE  
RYE BROOK, NEW YORK 10573  
PHONE: (914)-934-2075  
FAX: (914)-934-2190