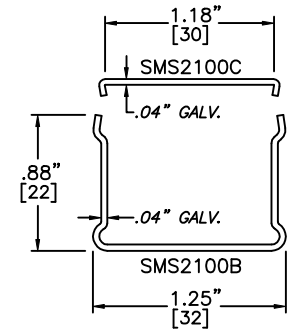
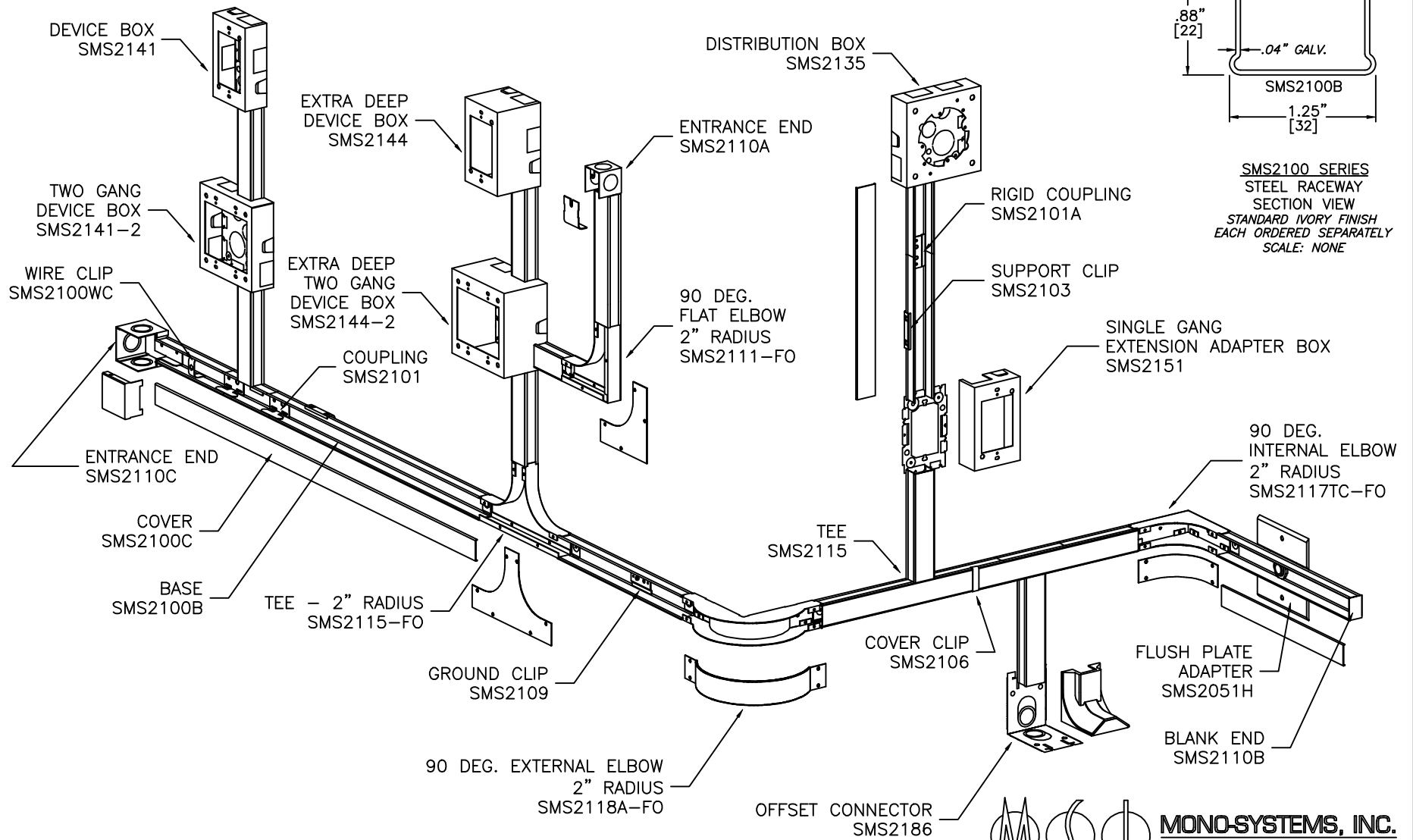


SnapMark™ SMS2100 Series

REFERENCE INSTALLATION



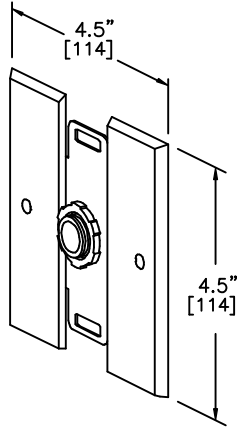
SMS2100 SERIES
STEEL RACEWAY
SECTION VIEW
STANDARD IVORY FINISH
EACH ORDERED SEPARATELY
SCALE: NONE



SnapMark™
SMS2100 Series

FLUSH PLATE ADAPTER — (SMS2051H)

MATERIAL: STEEL — GALV / IVORY FINISH



SMS2051H
FLUSH PLATE ADAPTER

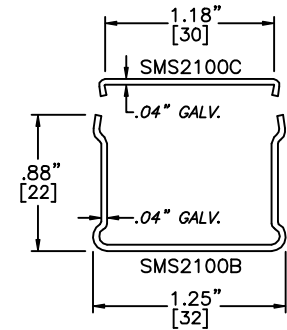
- A.) FOR EXTENDING FROM EXISTING FLUSH RECEPTACLE AND SWITCH OUTLETS / BOXES.
- B.) CAN ACCOMMODATE HORIZONTAL OR VERTICAL RACEWAY MOUNTING.
- C.) FEED THROUGH CAPACITY IS 10 #12 THHN CONDUCTORS.

ASSEMBLY INSTRUCTIONS

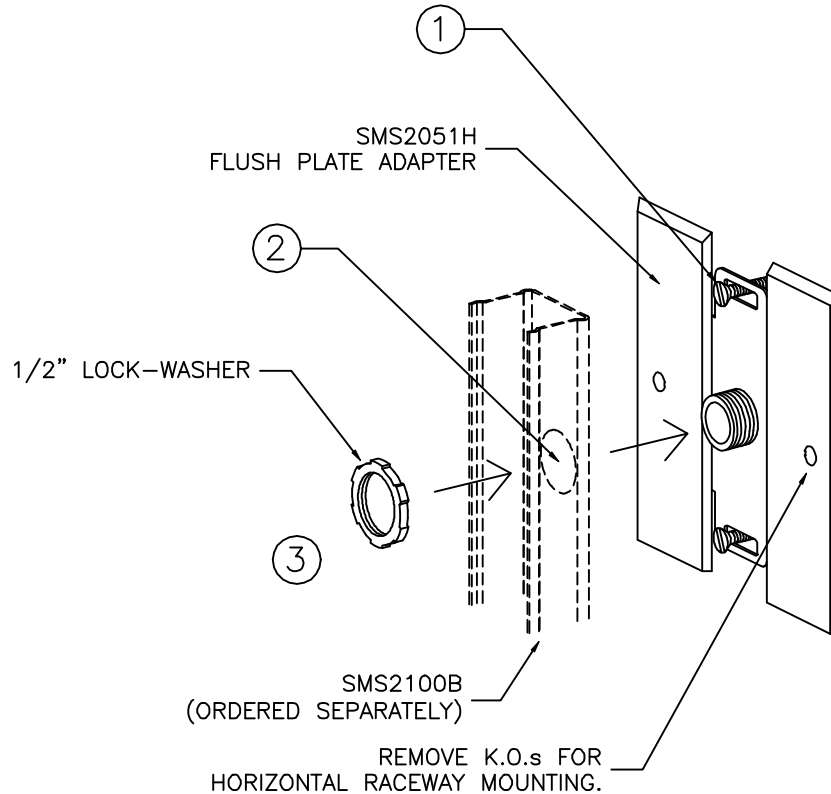
1. ATTACH FLUSH PLATE ADAPTER TO EXISTING WALL OUTLET USING PROVIDED HARDWARE.
REMOVE INDICATED K.O.s FOR HORIZONTAL RACEWAY MOUNTING.
2. PUNCH OR DRILL A .825" DIA. HOLE IN BACK SURFACE OF RACEWAY AT APPROPRIATE LOCATION.
3. ATTACH RACEWAY TO FLUSH PLATE ADAPTER USING PROVIDED 1/2" LOCK-WASHER.
4. TERMINATE WIRING PER NEC AND LOCAL CODES.

FILENAME: SMS2051H

www.monosystems.com



SMS2100 SERIES
STEEL RACEWAY
SECTION VIEW
STANDARD IVORY FINISH
EACH ORDERED SEPARATELY
SCALE: NONE



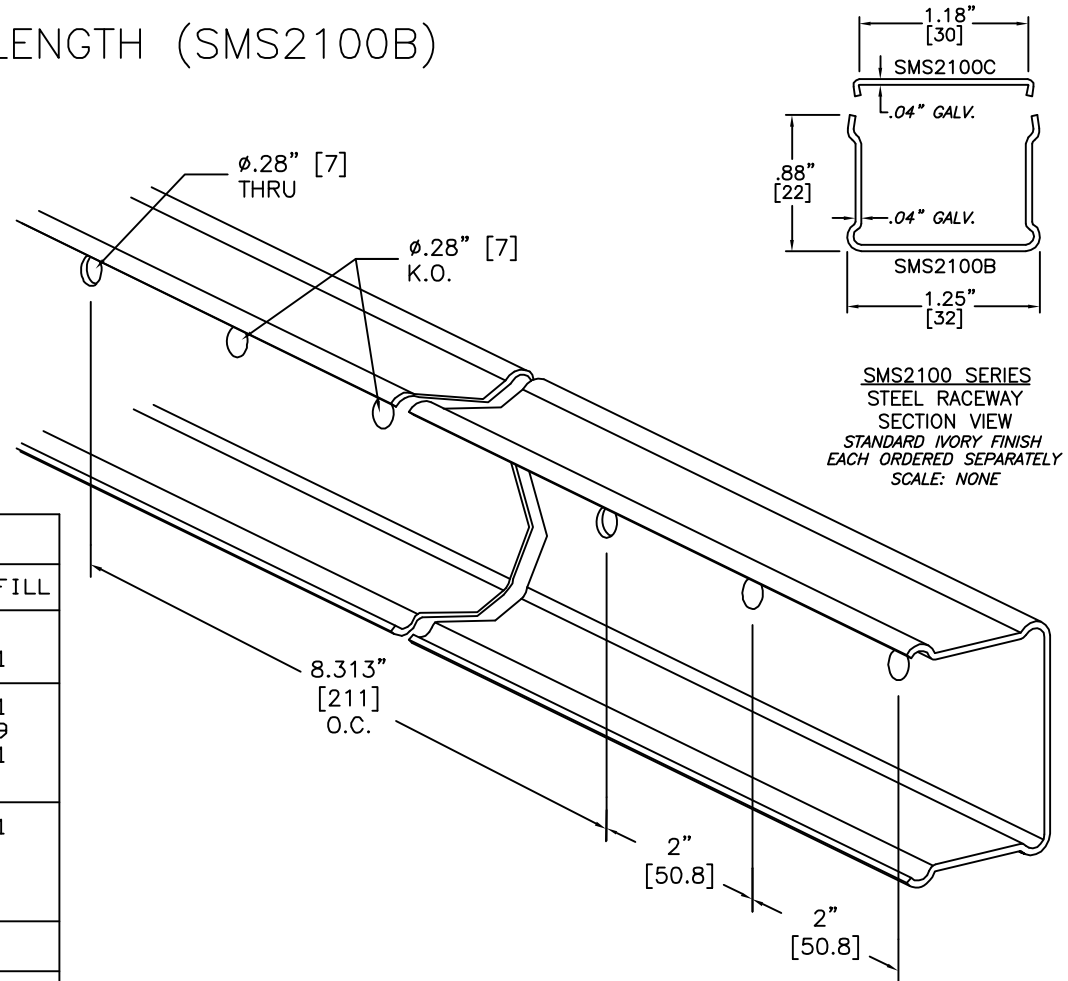
MONO-SYSTEMS, INC.
UNIQUE CABLE DISTRIBUTION SOLUTIONS
4 INTERNATIONAL DRIVE
RYE BROOK, NEW YORK 10573
PHONE: (914)-934-2075
FAX: (914)-934-2190

SnapMark™ SMS2100 Series

BASE – 10' [3m] LENGTH (SMS2100B)

POWER WIRE FILL CAPACITY	
WIRE SIZE THHN/THWN	CONDUCTORS (40% FILL)
6 Awg	6
8 Awg	9
10 Awg	15
12 Awg	25
14 Awg	34

DATA/COMM. WIRE FILL CAPACITIES			
CABLE TYPE	CATEGORY/DESIGNATION	20% FILL	40% FILL
UNSHIELDED TWISTED PAIR	4-PAIR, 24 AWG Cat 5 UTP	4	8
	4-PAIR, 24 AWG Cat 3 UTP	5	11
TELEPHONE	2-PAIR, 24 AWG	10	21
	3-PAIR, 24 AWG	9	19
	4-PAIR, 24 AWG	5	11
	25-PAIR, 24 AWG	1	2
COAXIAL	RG58/U	5	11
	RG59/U	3	7
	RG62/U	3	7
	RG6/U	2	5
TWINAXIAL	100 Ohm	1	3
SHIELDED TWISTED PAIR	TYPE 1	1	2
	TYPE 2	0	1
	TYPE 3	3	7



SMS2100 SERIES
STEEL RACEWAY
SECTION VIEW
STANDARD IVORY FINISH
EACH ORDERED SEPARATELY
SCALE: NONE

ASSEMBLY INSTRUCTIONS

1. RIGIDLY SECURE BASE SECTION TO STRUCTURAL BUILDING MEMBER OR WALL CONSTRUCTION AT 18" MAXIMUM MOUNTING CENTERS. ENGINEER TO VERIFY FASTENERS & MOUNTING INTERVAL BASED ON MOUNTING SURFACE CONSTRUCTION. (HARDWARE BY OTHERS)
2. COUPLE ADJOINING RACEWAY LENGTHS USING SMS2101 OR SMS2101A COUPLINGS. (ORDERED SEPARATELY)

FILENAME: SMS2100B

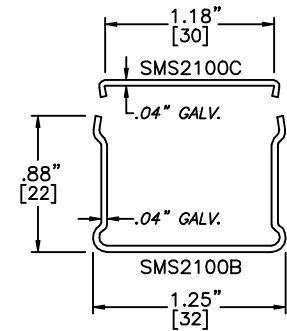
www.monosystems.com



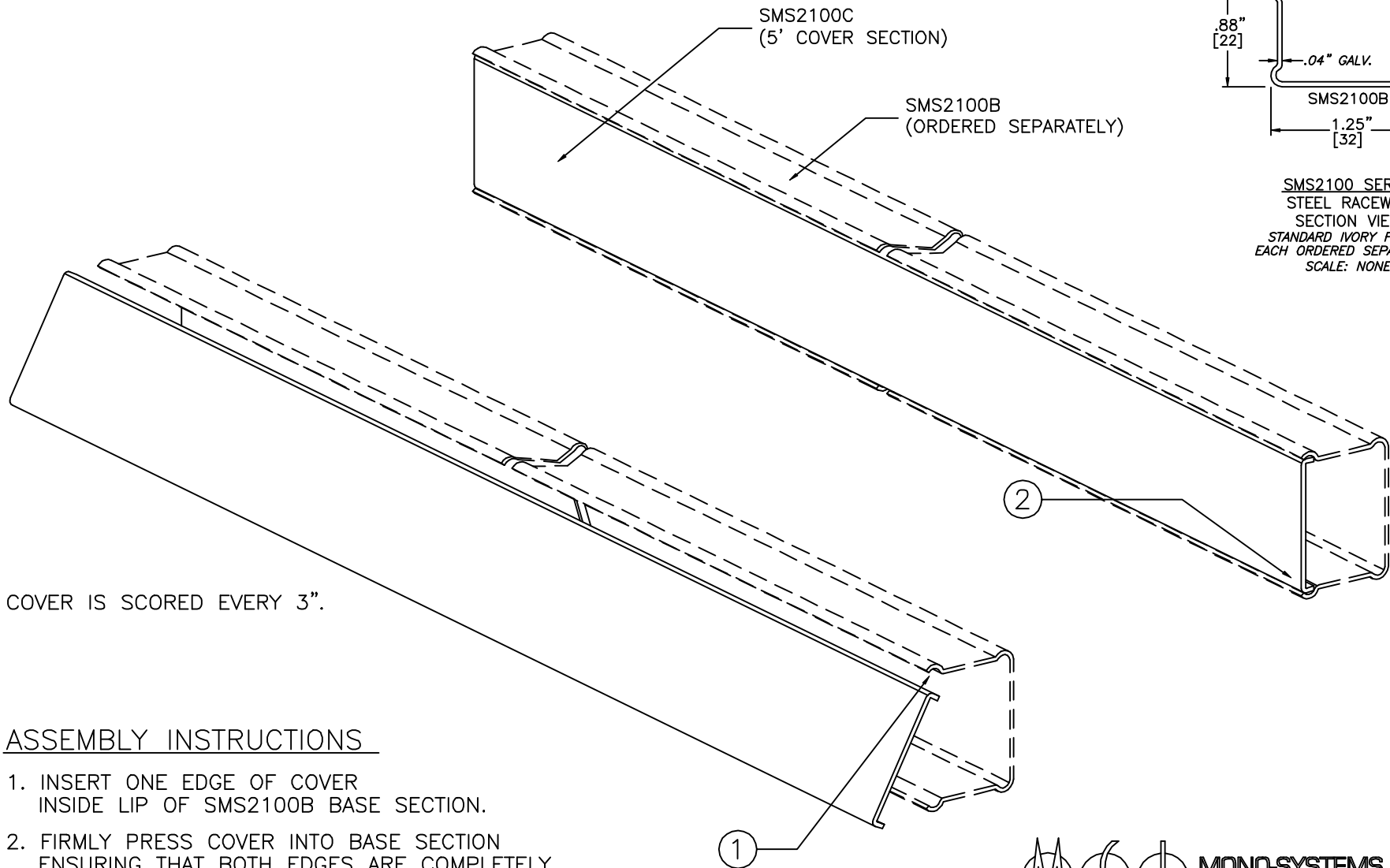
MONO-SYSTEMS, INC.
UNIQUE CABLE DISTRIBUTION SOLUTIONS
4 INTERNATIONAL DRIVE
RYE BROOK, NEW YORK 10573
PHONE: (914)-934-2075
FAX: (914)-934-2190

SnapMark™
SMS2100 Series

COVER – 5' [1.5m] LENGTH (SMS2100C)



SMS2100 SERIES
STEEL RACEWAY
SECTION VIEW
STANDARD IVORY FINISH
EACH ORDERED SEPARATELY
SCALE: NONE



COVER IS SCORED EVERY 3".

ASSEMBLY INSTRUCTIONS

1. INSERT ONE EDGE OF COVER INSIDE LIP OF SMS2100B BASE SECTION.
2. FIRMLY PRESS COVER INTO BASE SECTION ENSURING THAT BOTH EDGES ARE COMPLETELY SNAPPED INSIDE BASE SECTION.

FILENAME: SMS2100C

www.monosystems.com

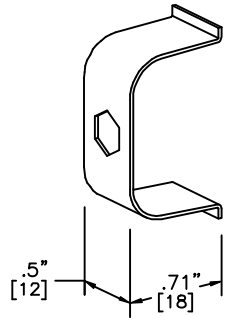


MONO-SYSTEMS, INC.
UNIQUE CABLE DISTRIBUTION SOLUTIONS
4 INTERNATIONAL DRIVE
RYE BROOK, NEW YORK 10573
PHONE: (914)-934-2075
FAX: (914)-934-2190

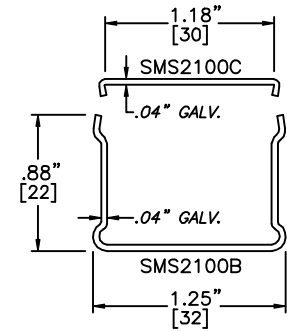
SnapMark™
SMS2100 Series

WIRE CLIP – (SMS2100WC)

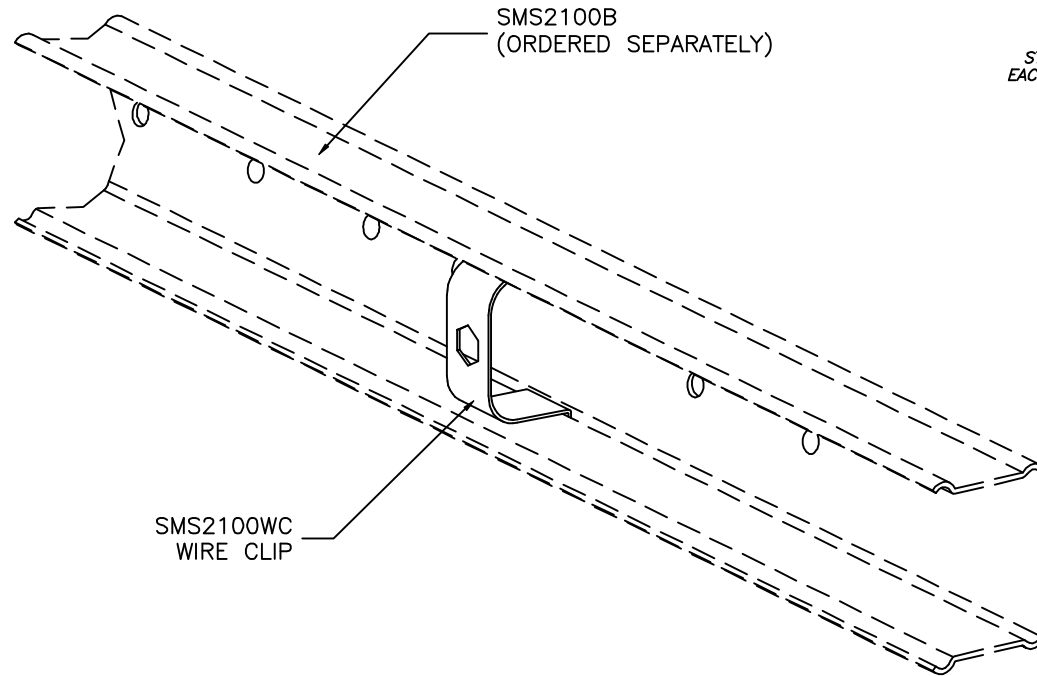
MATERIAL: PLATED STEEL



SMS2100WC
WIRE CLIP



SMS2100 SERIES
STEEL RACEWAY
SECTION VIEW
STANDARD IVORY FINISH
EACH ORDERED SEPARATELY
SCALE: NONE



ASSEMBLY INSTRUCTIONS

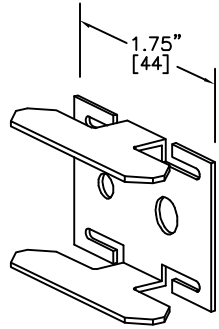
1. SNAP INTO SMS2100B AS SHOWN.
USE AS REQUIRED TO HOLD CONDUCTORS IN PLACE.



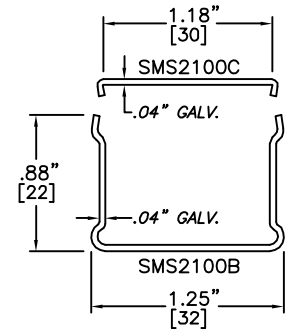
MONO-SYSTEMS, INC.
UNIQUE CABLE DISTRIBUTION SOLUTIONS
4 INTERNATIONAL DRIVE
RYE BROOK, NEW YORK 10573
PHONE: (914)-934-2075
FAX: (914)-934-2190

SnapMark™ COUPLING – (SMS2101)

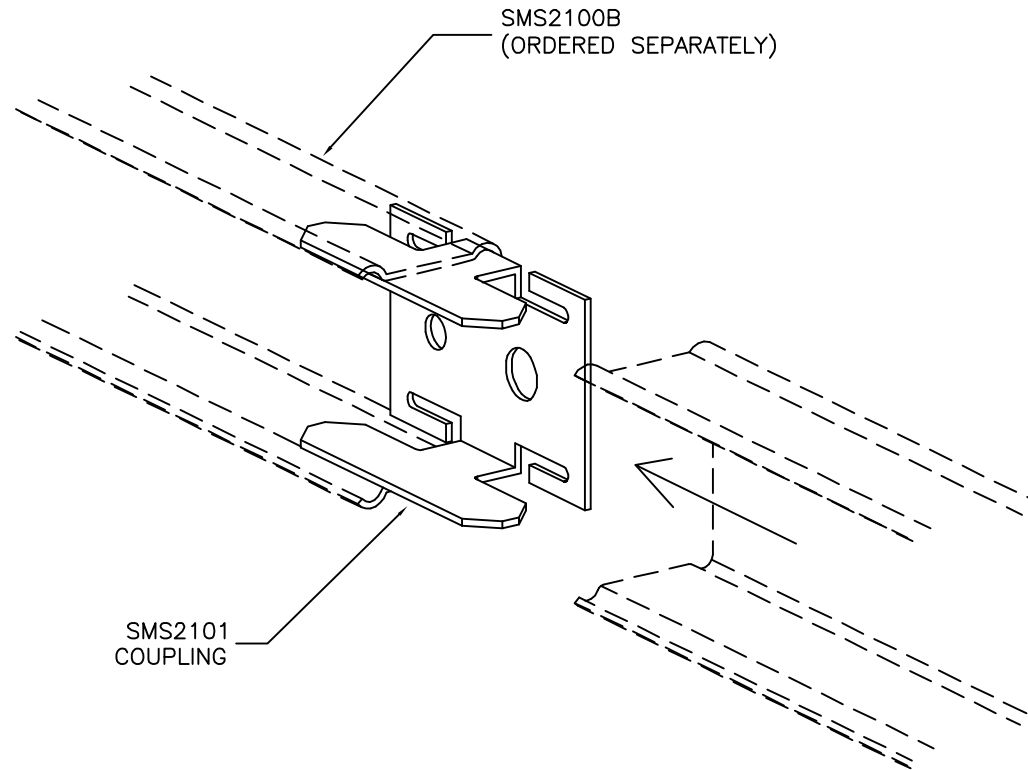
SMS2100 Series



SMS2101
COUPLING



SMS2100 SERIES
STEEL RACEWAY
SECTION VIEW
STANDARD IVORY FINISH
EACH ORDERED SEPARATELY
SCALE: NONE



SMS2100B
(ORDERED SEPARATELY)

SMS2101
COUPLING

ASSEMBLY INSTRUCTIONS

1. INSERT COUPLING BETWEEN SMS2100B LENGTHS TO BE CONNECTED.

FILENAME: SMS2101

www.monosystems.com

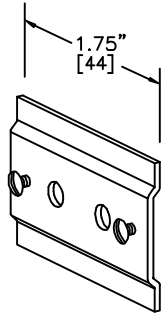


MONO-SYSTEMS, INC.
UNIQUE CABLE DISTRIBUTION SOLUTIONS
4 INTERNATIONAL DRIVE
RYE BROOK, NEW YORK 10573
PHONE: (914)-934-2075
FAX: (914)-934-2190

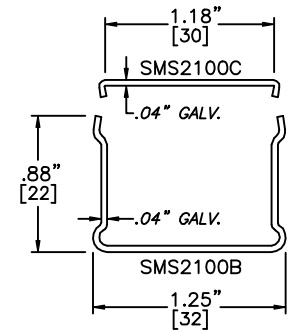
SnapMark™
SMS2100 Series

RIGID COUPLING – (SMS2101A)

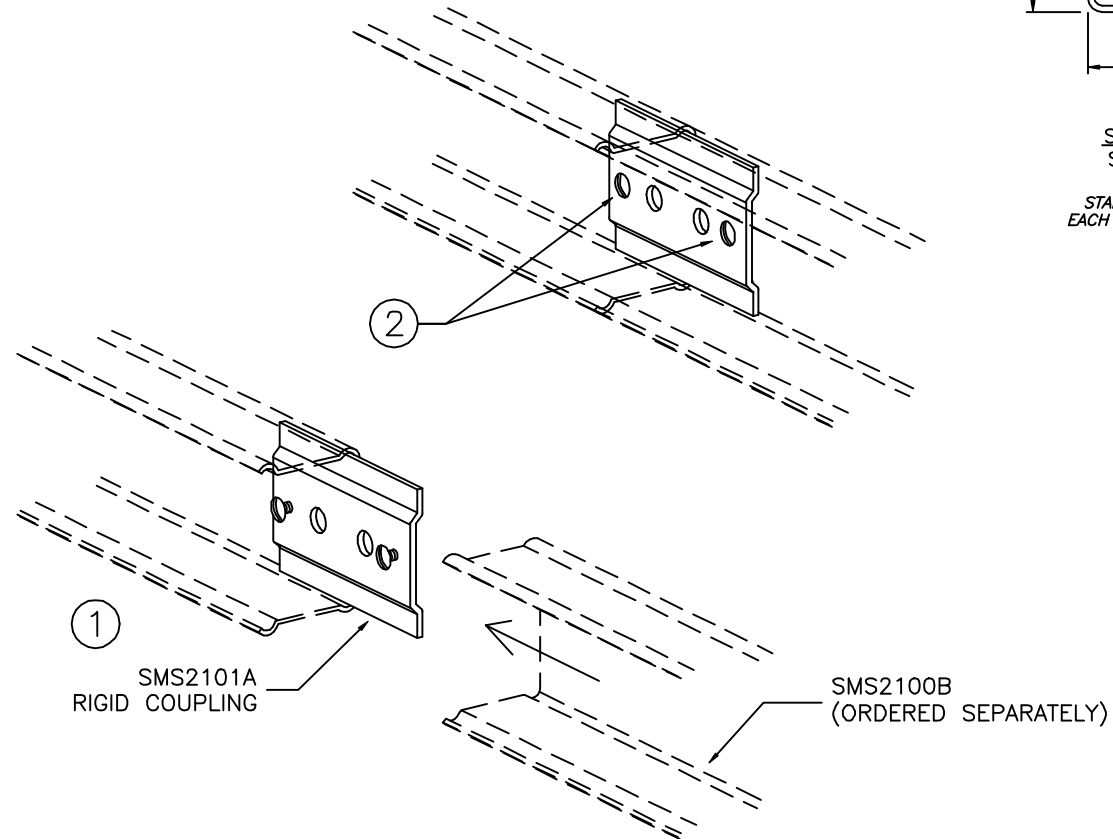
MATERIAL: GALVANIZED STEEL



SMS2101A
RIGID COUPLING



SMS2100 SERIES
STEEL RACEWAY
SECTION VIEW
STANDARD IVORY FINISH
EACH ORDERED SEPARATELY
SCALE: NONE



ASSEMBLY INSTRUCTIONS

1. INSERT RIGID COUPLING BETWEEN SMS2100B LENGTHS TO BE CONNECTED.
2. TIGHTEN PROVIDED 6-32 SET SCREWS TO SECURE IN PLACE.

FILENAME: SMS2101A

www.monosystems.com

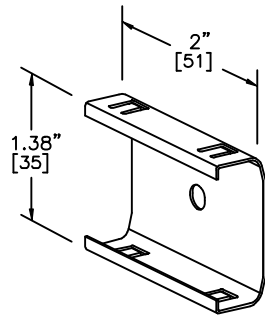


MONO-SYSTEMS, INC.
UNIQUE CABLE DISTRIBUTION SOLUTIONS
4 INTERNATIONAL DRIVE
RYE BROOK, NEW YORK 10573
PHONE: (914)-934-2075
FAX: (914)-934-2190

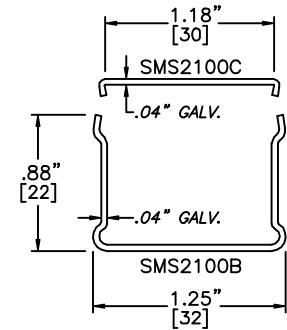
SnapMark™
SMS2100 Series

SUPPORT CLIP – (SMS2103)

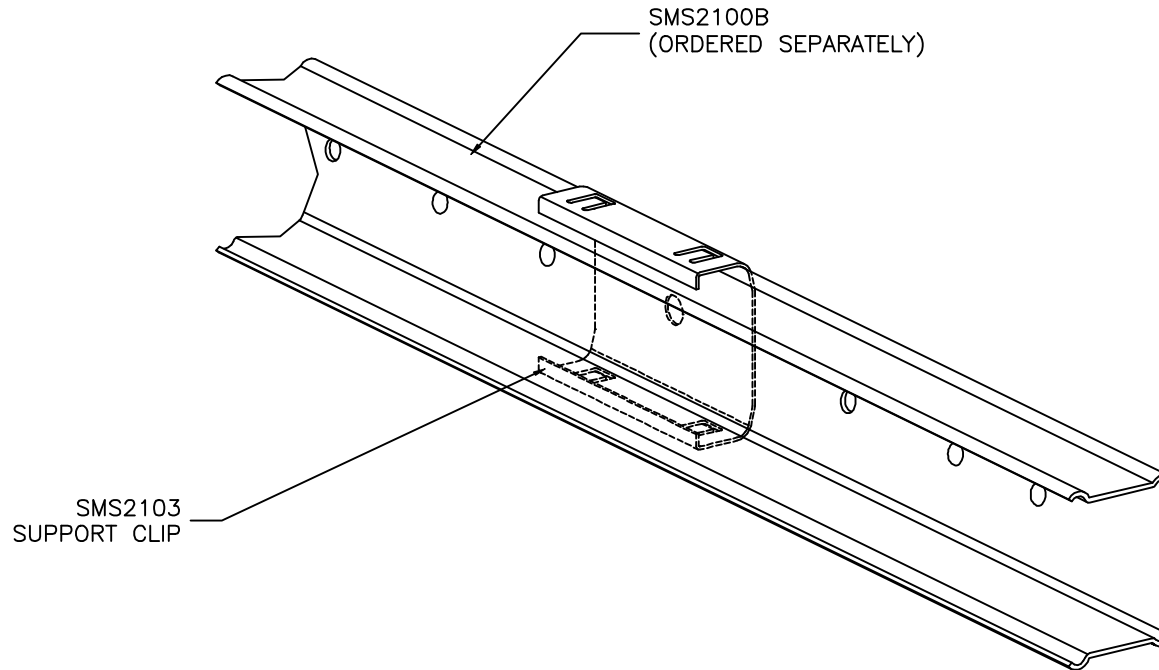
MATERIAL: STEEL – IVORY FINISH



SMS2103
SUPPORT CLIP



SMS2100 SERIES
STEEL RACEWAY
SECTION VIEW
STANDARD IVORY FINISH
EACH ORDERED SEPARATELY
SCALE: NONE



ASSEMBLY INSTRUCTIONS

1. ATTACH SUPPORT CLIP TO MOUNTING SURFACE USING NO. 6 FLAT HEAD HARDWARE AND ANCHOR IF REQUIRED. (BY OTHERS)
2. SNAP SMS2100B INTO SUPPORT CLIP AS SHOWN.

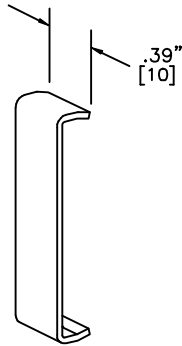


MONO-SYSTEMS, INC.
UNIQUE CABLE DISTRIBUTION SOLUTIONS
4 INTERNATIONAL DRIVE
RYE BROOK, NEW YORK 10573
PHONE: (914)-934-2075
FAX: (914)-934-2190

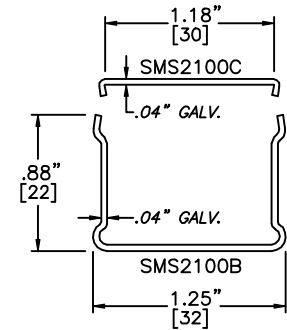
SnapMark™
SMS2100 Series

COVER CLIP – (SMS2106)

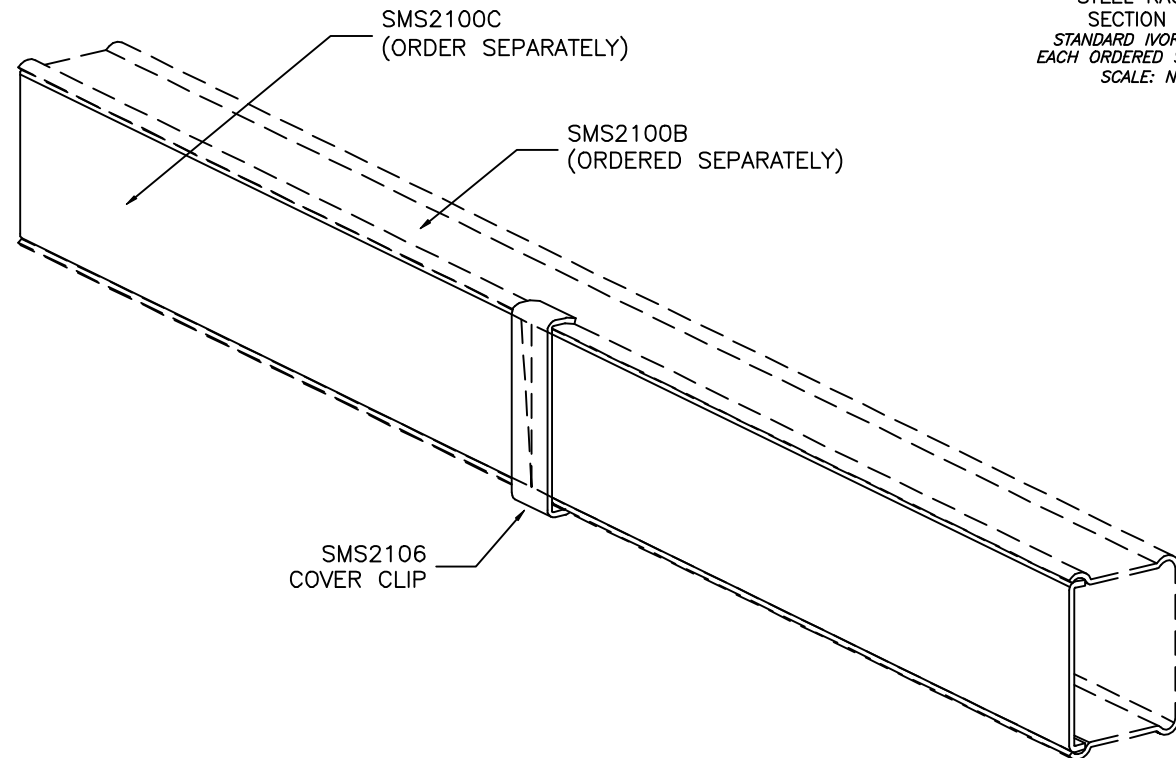
MATERIAL: STEEL – IVORY FINISH



SMS2106
COVER CLIP



SMS2100 SERIES
STEEL RACEWAY
SECTION VIEW
STANDARD IVORY FINISH
EACH ORDERED SEPARATELY
SCALE: NONE



ASSEMBLY INSTRUCTIONS

1. SNAP COVER CLIP OVER UNEVEN COVER CUTS.

FILENAME: SMS2106

www.monosystems.com

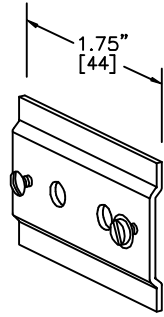


MONO-SYSTEMS, INC.
UNIQUE CABLE DISTRIBUTION SOLUTIONS
4 INTERNATIONAL DRIVE
RYE BROOK, NEW YORK 10573
PHONE: (914)-934-2075
FAX: (914)-934-2190

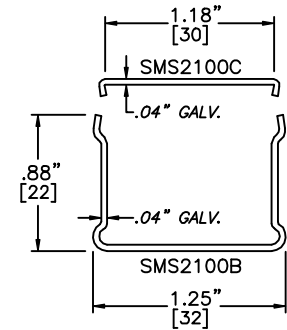
SnapMark™
SMS2100 Series

GROUND CLIP — (SMS2109)

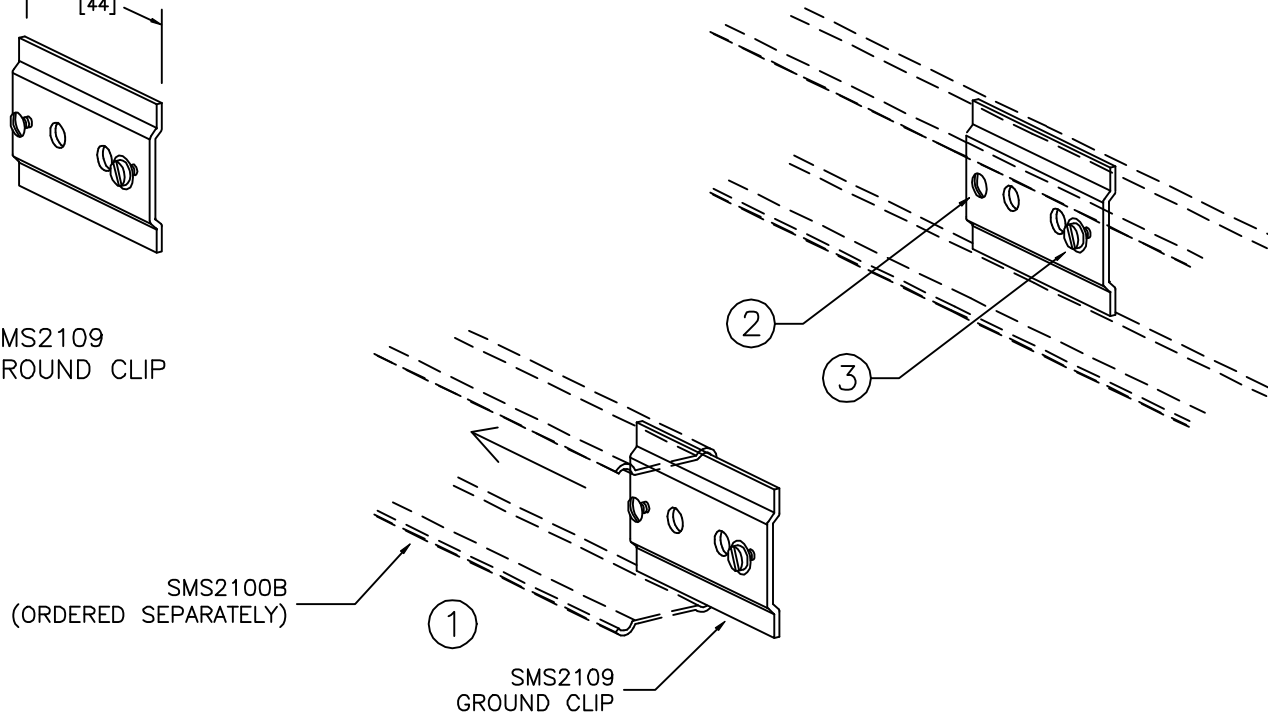
MATERIAL: GALVANIZED STEEL



SMS2109
GROUND CLIP



SMS2100 SERIES
STEEL RACEWAY
SECTION VIEW
STANDARD IVORY FINISH
EACH ORDERED SEPARATELY
SCALE: NONE



ASSEMBLY INSTRUCTIONS

1. INSERT GROUND CLIP INTO SMS2100B SECTIONS.
2. TIGHTEN PROVIDED 6-32 SET SCREW TO SECURE IN PLACE.
3. TERMINATE GROUNDING CONDUCTOR TO PROVIDED 10-32 GROUND SCREW
PER NEC AND LOCAL CODES. (GROUNDING CONDUCTOR AND TERMINATION BY OTHERS)

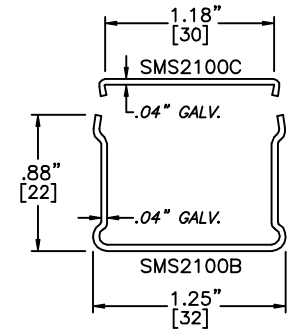


MONO-SYSTEMS, INC.
UNIQUE CABLE DISTRIBUTION SOLUTIONS
4 INTERNATIONAL DRIVE
RYE BROOK, NEW YORK 10573
PHONE: (914)-934-2075
FAX: (914)-934-2190

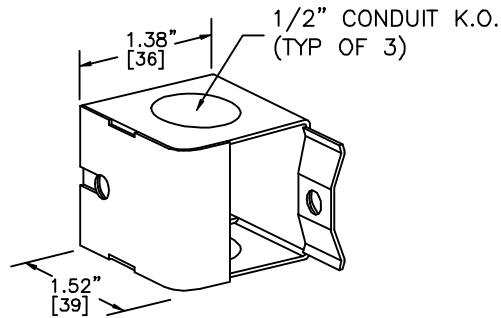
SnapMark™
SMS2100 Series

ENTRANCE END FITTING – (SMS2110A)

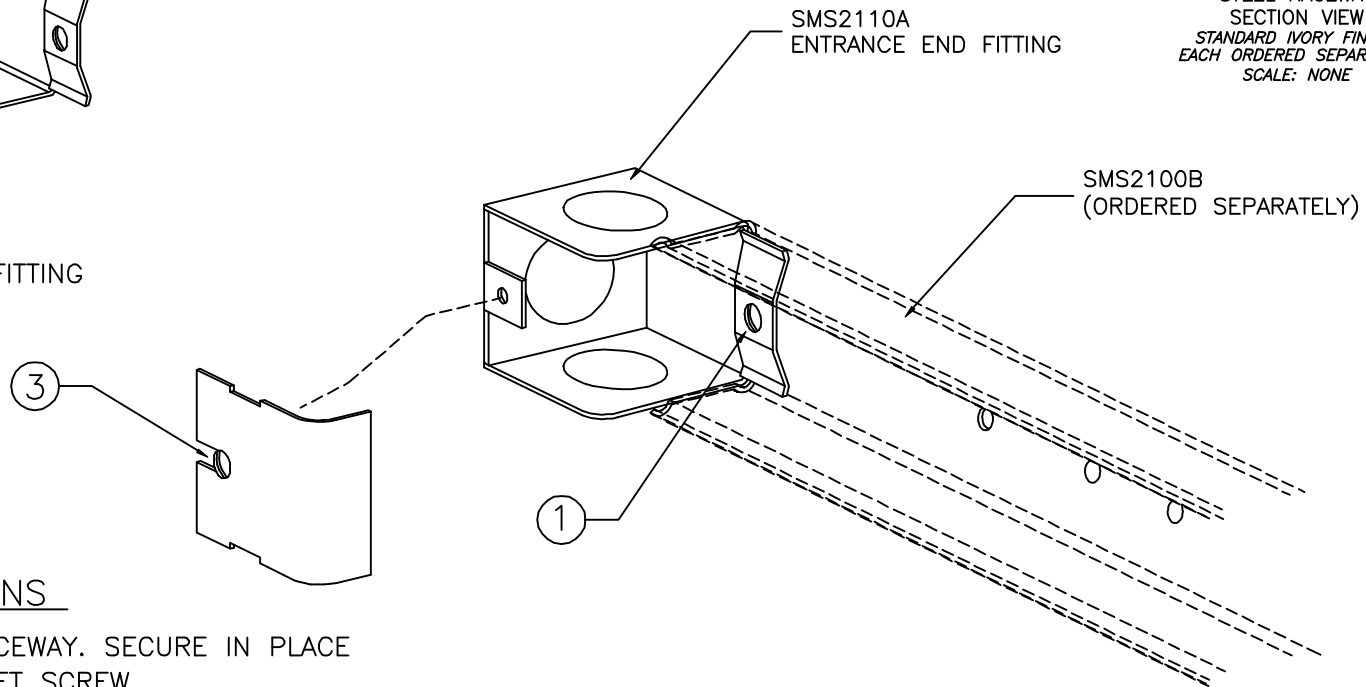
MATERIAL: STEEL – IVORY FINISH



SMS2100 SERIES
STEEL RACEWAY
SECTION VIEW
 STANDARD IVORY FINISH
 EACH ORDERED SEPARATELY
 SCALE: NONE



SMS2110A
 ENTRANCE END FITTING



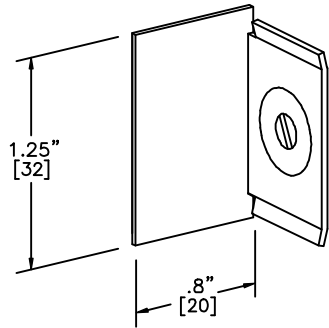
ASSEMBLY INSTRUCTIONS

1. SLIDE SMS2110A INTO RACEWAY. SECURE IN PLACE USING PROVIDED NO. 6 SET SCREW.
2. TERMINATE WIRING PER NEC AND LOCAL CODES. (BY OTHERS)
3. ATTACH SMS2110A COVER USING PROVIDED NO. 6 SCREW.

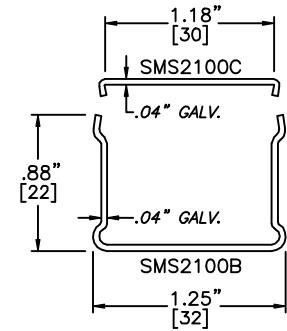


MONO-SYSTEMS, INC.
 UNIQUE CABLE DISTRIBUTION SOLUTIONS
 4 INTERNATIONAL DRIVE
 RYE BROOK, NEW YORK 10573
 PHONE: (914)-934-2075
 FAX: (914)-934-2190

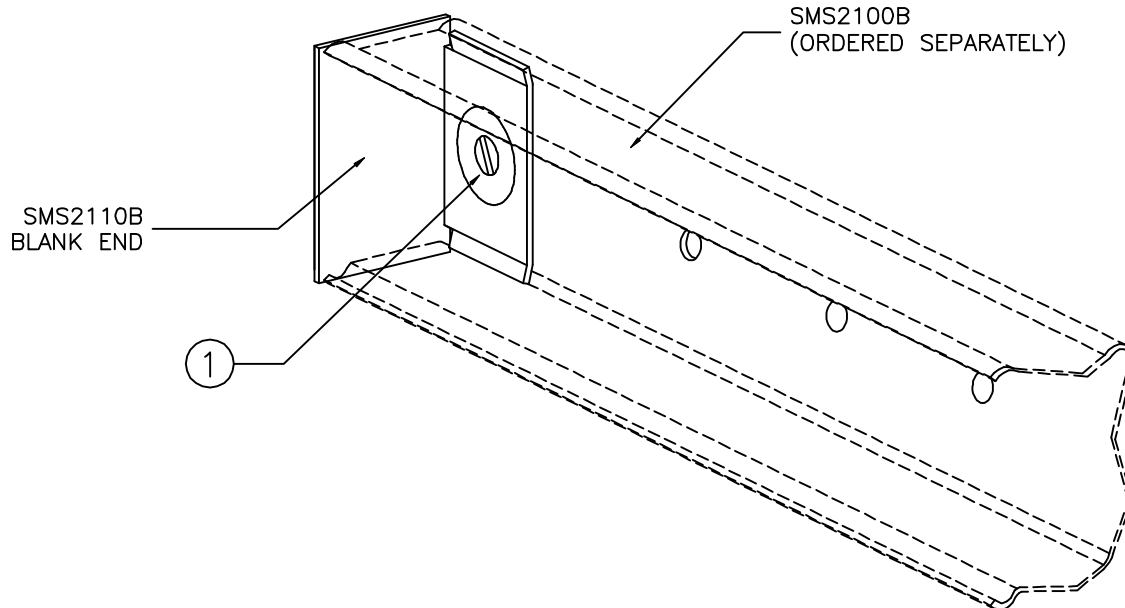
SnapMark™ BLANK END – (SMS2110B)
SMS2100 Series



SMS2110B
 BLANK END



SMS2100 SERIES
 STEEL RACEWAY
 SECTION VIEW
 STANDARD IVORY FINISH
 EACH ORDERED SEPARATELY
 SCALE: NONE



ASSEMBLY INSTRUCTIONS

1. SLIDE BLANK END INTO END OF SMS2100B.
 SECURE IN PLACE USING SUPPLIED NO. 6 SET SCREW.

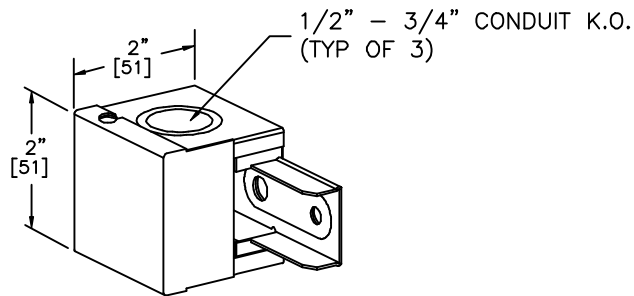


MONO-SYSTEMS, INC.
 UNIQUE CABLE DISTRIBUTION SOLUTIONS
 4 INTERNATIONAL DRIVE
 RYE BROOK, NEW YORK 10573
 PHONE: (914)-934-2075
 FAX: (914)-934-2190

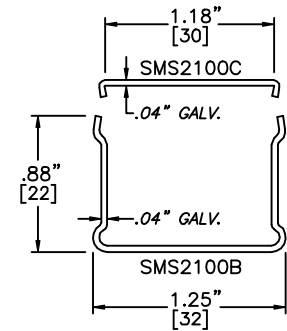
SnapMark™
SMS2100 Series

ENTRANCE END – (SMS2110C)

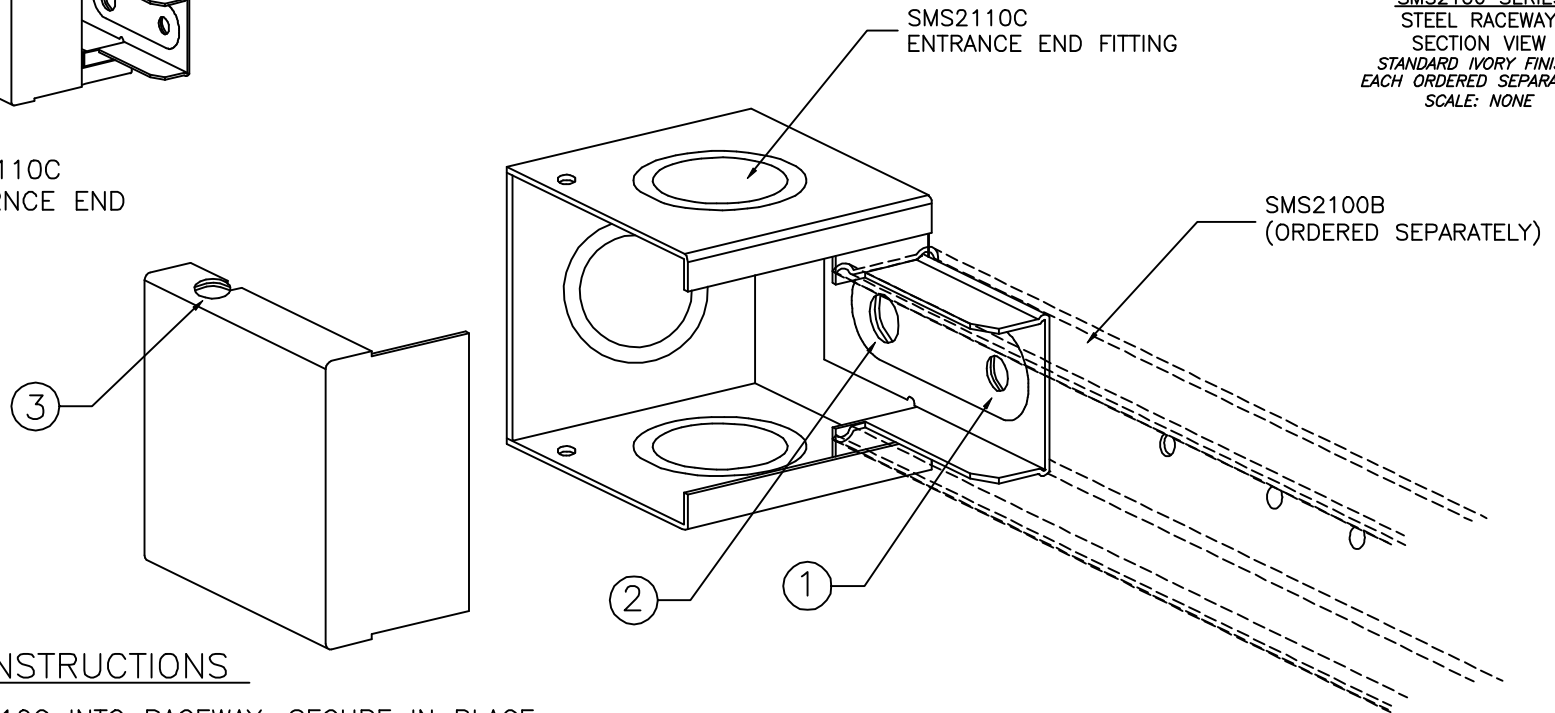
MATERIAL: STEEL – IVORY FINISH



SMS2110C
ENTRANCE END



SMS2100 SERIES
STEEL RACEWAY
SECTION VIEW
STANDARD IVORY FINISH
EACH ORDERED SEPARATELY
SCALE: NONE



ASSEMBLY INSTRUCTIONS

1. SLIDE SMS2110C INTO RACEWAY. SECURE IN PLACE USING PROVIDED NO. 6 SET SCREW.
2. TERMINATE WIRING AND GROUND CONDUCTOR PER NEC AND LOCAL CODES. (BY OTHERS)
3. ATTACH SMS2110C COVER USING PROVIDED NO. 6 SCREWS.
4. 10-32 GROUND SCREW PROVIDED.

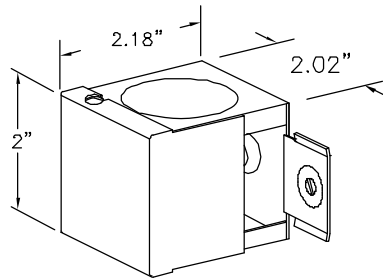


MONO-SYSTEMS, INC.
UNIQUE CABLE DISTRIBUTION SOLUTIONS
4 INTERNATIONAL DRIVE
RYE BROOK, NEW YORK 10573
PHONE: (914)-934-2075
FAX: (914)-934-2190

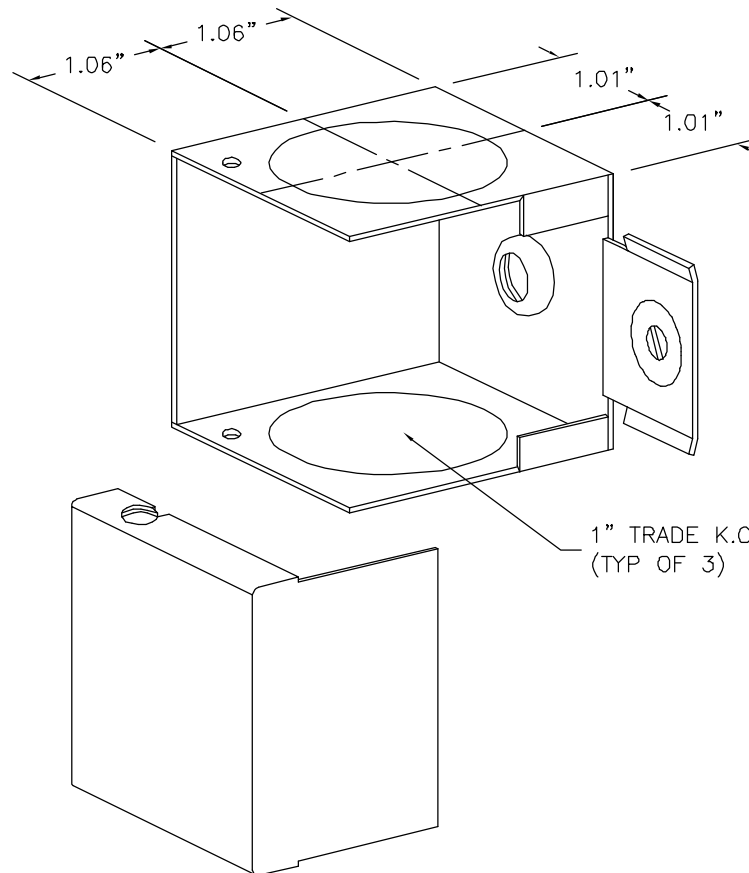
SnapMark™
SMS2100 Series

ENTRANCE END — (SMS2110C-1)

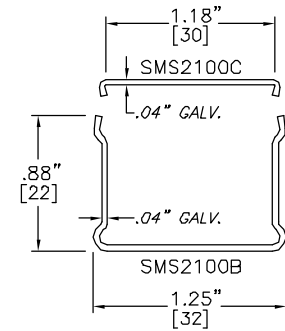
MATERIAL: STEEL — IVORY FINISH



SMS2110C-1
ENTRANCE END FITTING



1" TRADE K.O.
(TYP OF 3)



SMS2100 SERIES
STEEL RACEWAY
SECTION VIEW
STANDARD IVORY FINISH
EACH ORDERED SEPARATELY
SCALE: NONE

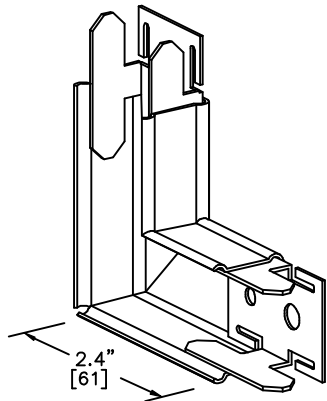


MONO-SYSTEMS, INC.
UNIQUE CABLE DISTRIBUTION SOLUTIONS
4 INTERNATIONAL DRIVE
RYE BROOK, NEW YORK 10573
PHONE: (914)-934-2075
FAX: (914)-934-2190

SnapMark™
SMS2100 Series

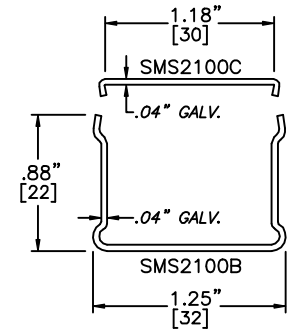
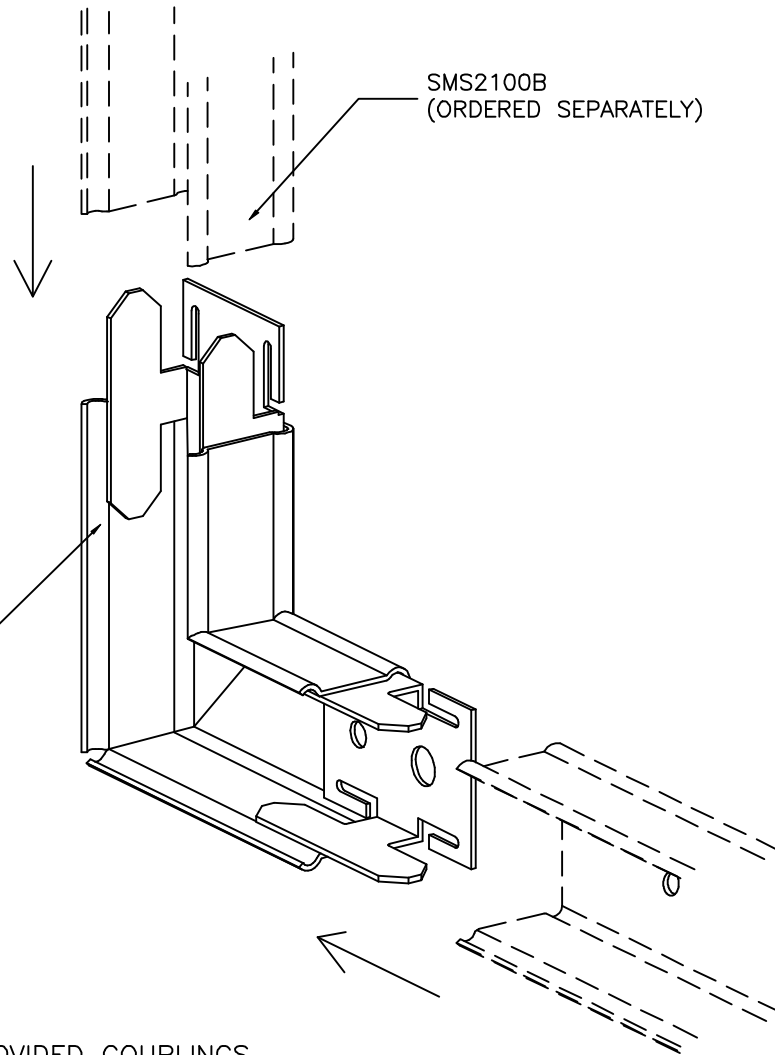
90° FLAT ELBOW — (SMS2111)

MATERIAL: STEEL — IVORY FINISH



SMS2111
 FLAT ELBOW

SMS2111
 FLAT ELBOW



SMS2100 SERIES
 STEEL RACEWAY
 SECTION VIEW
 STANDARD IVORY FINISH
 EACH ORDERED SEPARATELY
 SCALE: NONE

ASSEMBLY INSTRUCTIONS

1. SLIDE SMS2100B SECTIONS AS SHOWN OVER PROVIDED COUPLINGS.
2. USE SMS2100C COVER OVER ELBOW OPENING. (ORDERED SEPARATELY)

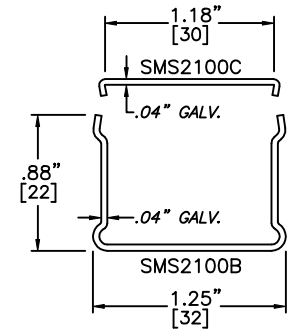


MONO-SYSTEMS, INC.
 UNIQUE CABLE DISTRIBUTION SOLUTIONS
 4 INTERNATIONAL DRIVE
 RYE BROOK, NEW YORK 10573
 PHONE: (914)-934-2075
 FAX: (914)-934-2190

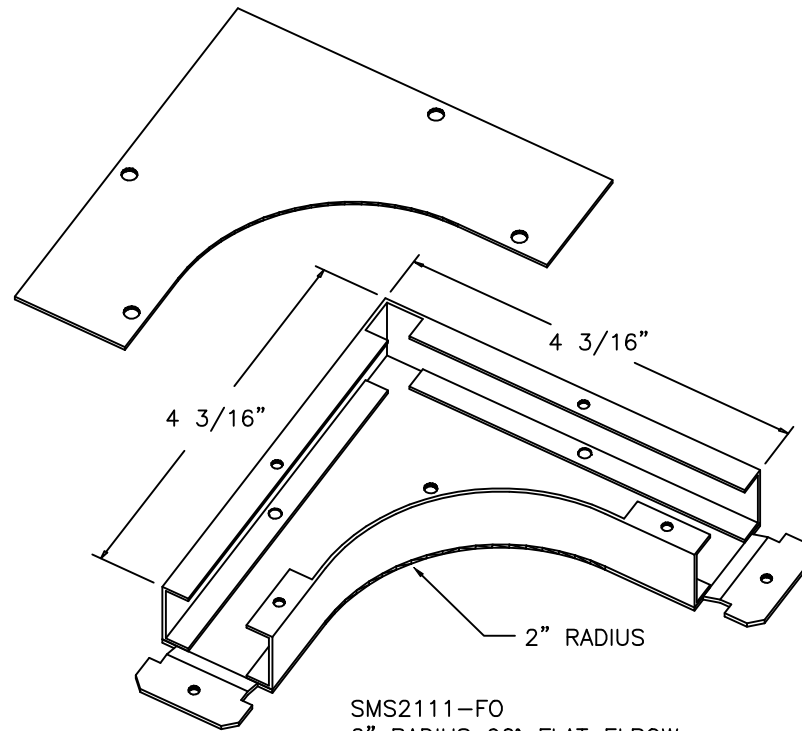
SnapMark™
SMS2100 Series

2" RADIUS 90° FLAT ELBOW – (SMS2111-FO)

MATERIAL: STEEL – IVORY FINISH



SMS2100 SERIES
STEEL RACEWAY
SECTION VIEW
STANDARD IVORY FINISH
EACH ORDERED SEPARATELY
SCALE: NONE



SMS2111-FO
2" RADIUS 90° FLAT ELBOW
(ASSEMBLY HARDWARE PROVIDED)

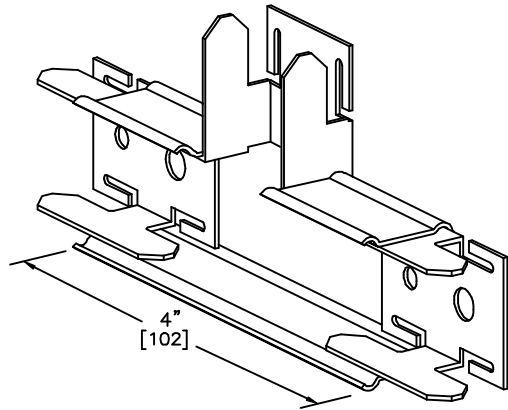


MONO-SYSTEMS, INC.
UNIQUE CABLE DISTRIBUTION SOLUTIONS
4 INTERNATIONAL DRIVE
RYE BROOK, NEW YORK 10573
PHONE: (914)-934-2075
FAX: (914)-934-2190

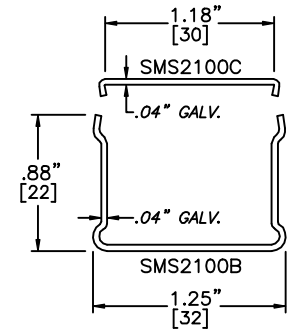
SnapMark™
SMS2100 Series

TEE — (SMS2115)

MATERIAL: STEEL — IVORY FINISH

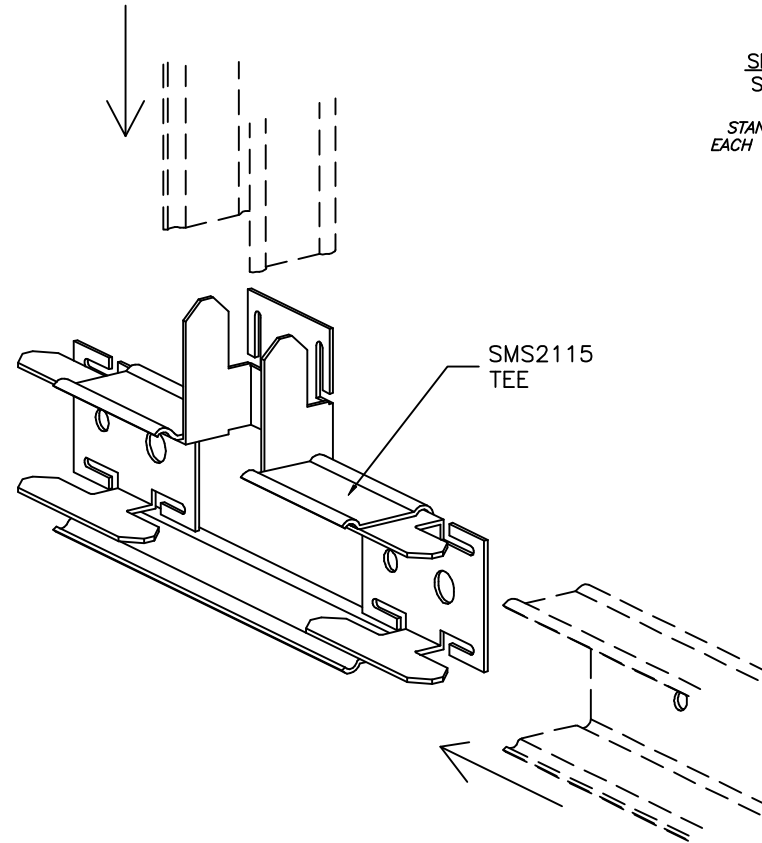


SMS2115
TEE



SMS2100 SERIES
STEEL RACEWAY
SECTION VIEW
STANDARD IVORY FINISH
EACH ORDERED SEPARATELY
SCALE: NONE

SMS2100B
(ORDERED SEPARATELY)



ASSEMBLY INSTRUCTIONS

1. SLIDE SMS2100B SECTIONS AS SHOWN OVER PROVIDED COUPLINGS.
2. USE SMS2100C COVER OVER TEE OPENING. (ORDERED SEPARATELY)

FILENAME: SMS2115

www.monosystems.com

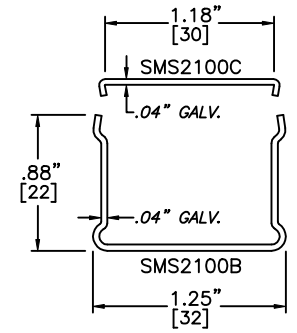
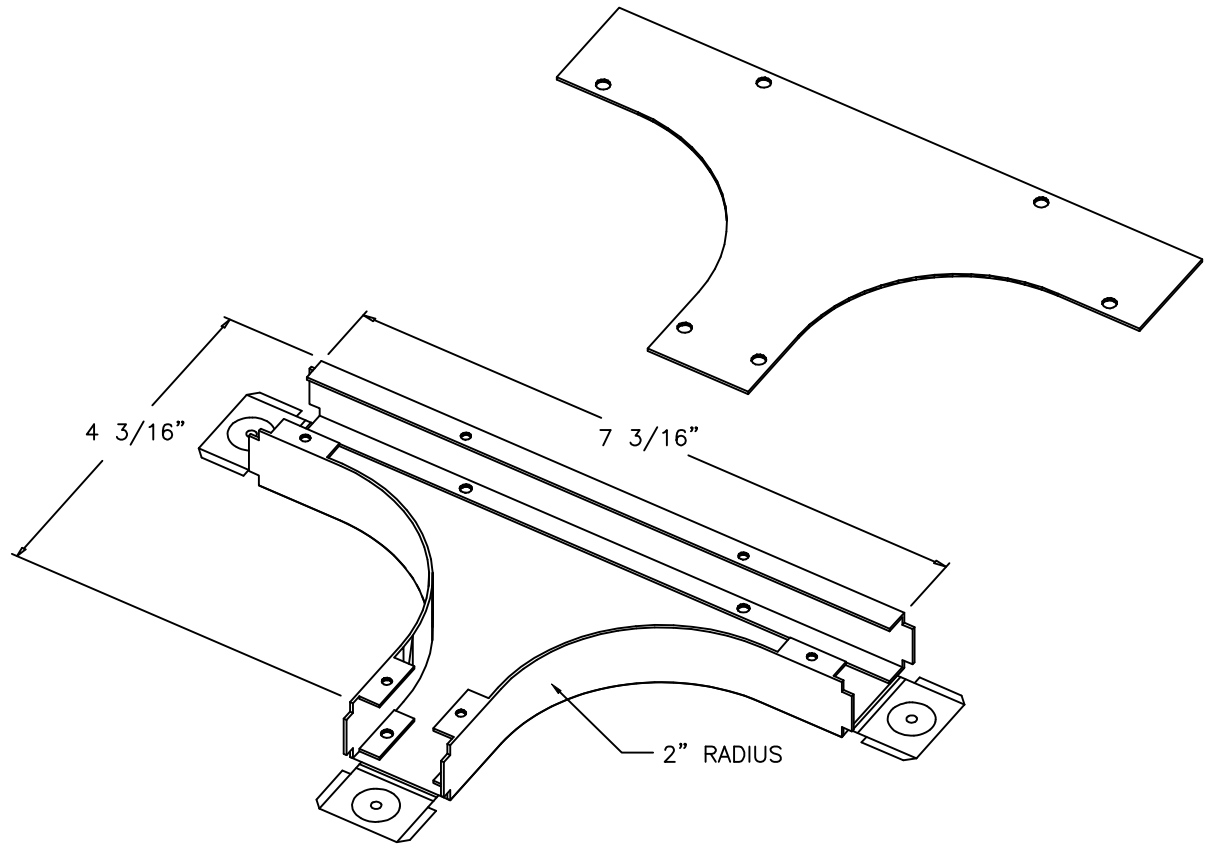


MONO-SYSTEMS, INC.
UNIQUE CABLE DISTRIBUTION SOLUTIONS
4 INTERNATIONAL DRIVE
RYE BROOK, NEW YORK 10573
PHONE: (914)-934-2075
FAX: (914)-934-2190

SnapMark™
SMS2100 Series

2" RADIUS TEE – (SMS2115-FO)

MATERIAL: STEEL – IVORY FINISH



SMS2100 SERIES
 STEEL RACEWAY
 SECTION VIEW
 STANDARD IVORY FINISH
 EACH ORDERED SEPARATELY
 SCALE: NONE

SMS2115-FO
 2" RADIUS TEE
 (ASSEMBLY HARDWARE PROVIDED)

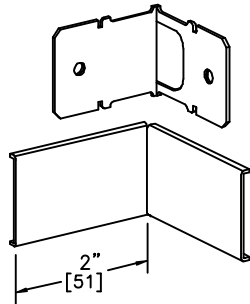


MONO-SYSTEMS, INC.
 UNIQUE CABLE DISTRIBUTION SOLUTIONS
 4 INTERNATIONAL DRIVE
 RYE BROOK, NEW YORK 10573
 PHONE: (914)-934-2075
 FAX: (914)-934-2190

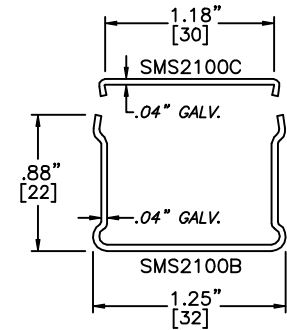
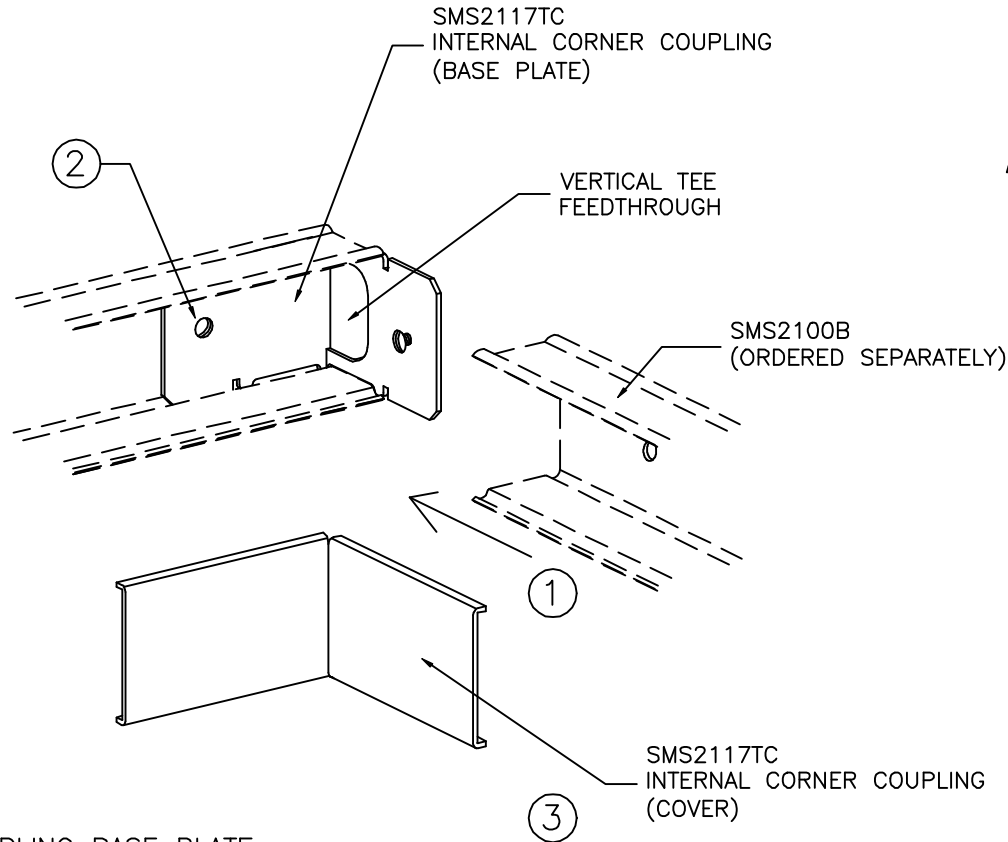
SnapMark™
SMS2100 Series

INTERNAL CORNER COUPLING – (SMS2117TC)

MATERIAL: STEEL – GALV / IVORY FINISH



SMS2117TC
INTERNAL CORNER COUPLING



SMS2100 SERIES
STEEL RACEWAY
SECTION VIEW
STANDARD IVORY FINISH
EACH ORDERED SEPARATELY
SCALE: NONE

ASSEMBLY INSTRUCTIONS

1. SLIDE SMS2100B SECTIONS OVER COUPLING BASE PLATE.
2. SECURE IN PLACE USING PROVIDED NO. 6 SET SCREWS.
3. SNAP PROVIDED COVER INTO PLACE.
4. CAN ALSO BE USED AS A VERTICAL TEE.

FILENAME: SMS2117TC

www.monosystems.com

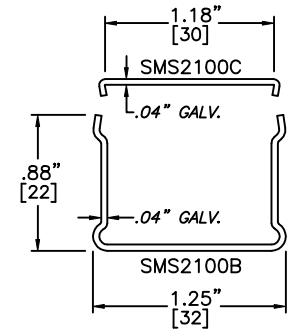


MONO-SYSTEMS, INC.
UNIQUE CABLE DISTRIBUTION SOLUTIONS
4 INTERNATIONAL DRIVE
RYE BROOK, NEW YORK 10573
PHONE: (914)-934-2075
FAX: (914)-934-2190

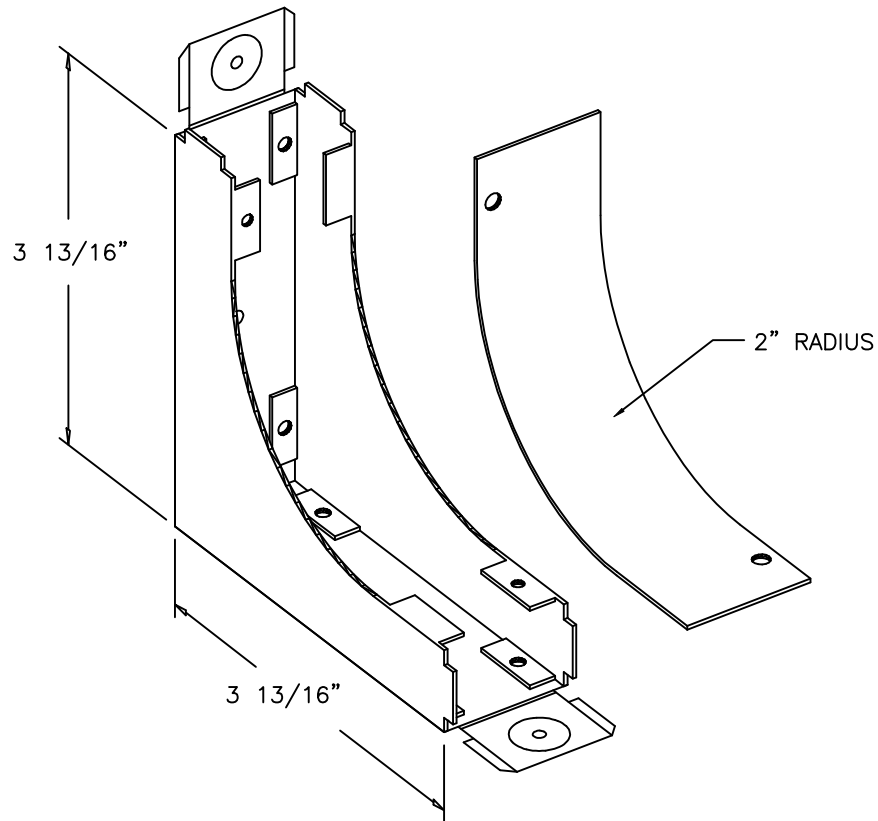
SnapMark™
SMS2100 Series

2" RADIUS 90° INTERNAL ELBOW – (SMS2117TC-FO)

MATERIAL: STEEL – IVORY FINISH



SMS2100 SERIES
STEEL RACEWAY
SECTION VIEW
STANDARD IVORY FINISH
EACH ORDERED SEPARATELY
SCALE: NONE



SMS2117TC-FO
2" RADIUS 90° INTERNAL ELBOW
(ASSEMBLY HARDWARE PROVIDED)

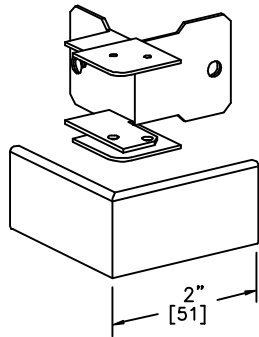


MONO-SYSTEMS, INC.
UNIQUE CABLE DISTRIBUTION SOLUTIONS
4 INTERNATIONAL DRIVE
RYE BROOK, NEW YORK 10573
PHONE: (914)-934-2075
FAX: (914)-934-2190

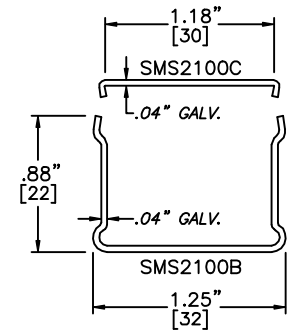
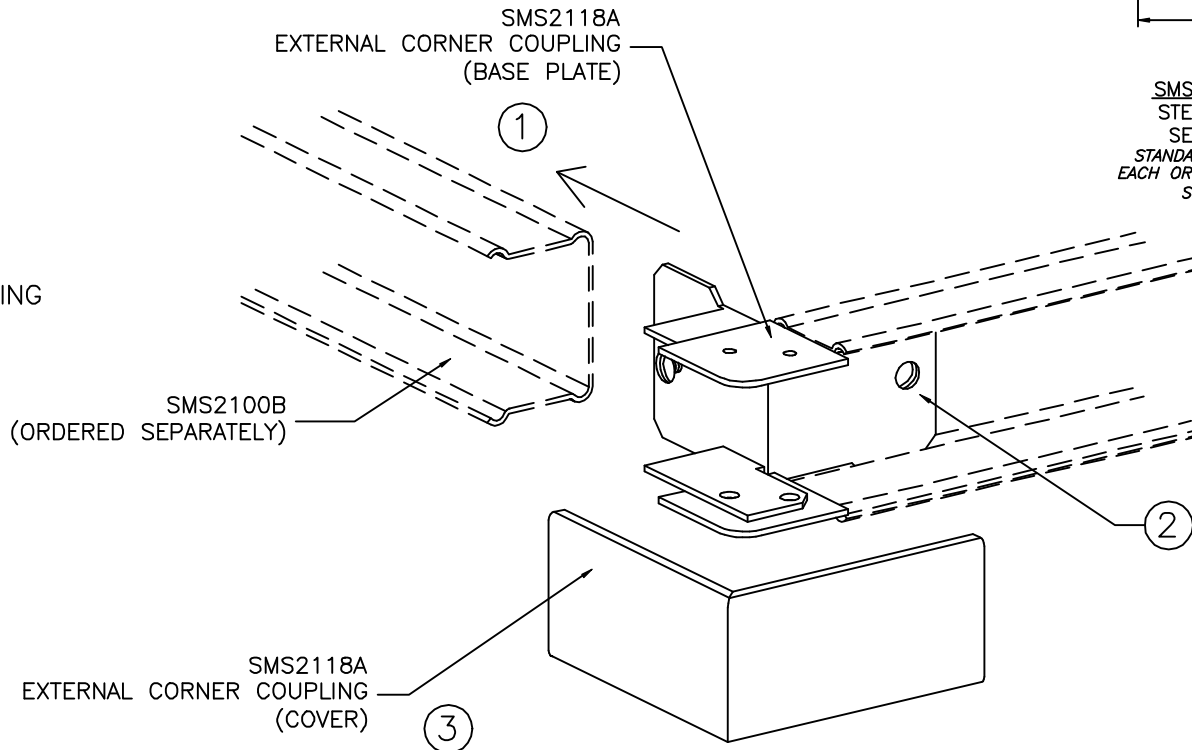
SnapMark™
SMS2100 Series

EXTERNAL CORNER COUPLING – (SMS2118A)

MATERIAL: STEEL – GALV / IVORY FINISH



SMS2118A
EXTERNAL CORNER COUPLING



SMS2100 SERIES
STEEL RACEWAY
SECTION VIEW
STANDARD IVORY FINISH
EACH ORDERED SEPARATELY
SCALE: NONE

ASSEMBLY INSTRUCTIONS

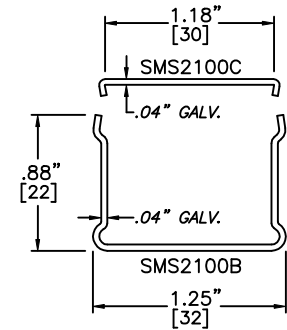
1. SLIDE SMS2100B SECTIONS OVER COUPLING PLATE.
2. SECURE IN PLACE USING PROVIDED NO. 6 SET SCREWS.
3. SNAP PROVIDED COVER INTO PLACE.



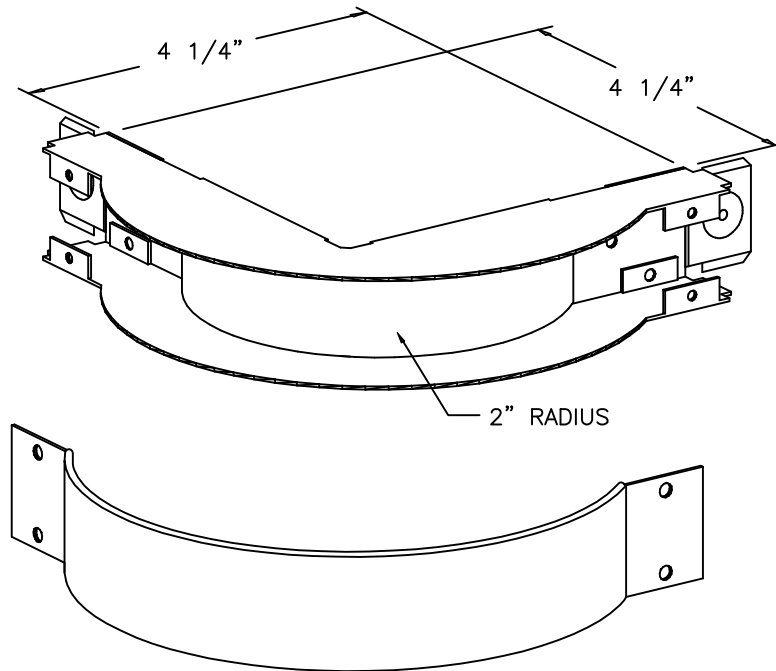
MONO-SYSTEMS, INC.
UNIQUE CABLE DISTRIBUTION SOLUTIONS
4 INTERNATIONAL DRIVE
RYE BROOK, NEW YORK 10573
PHONE: (914)-934-2075
FAX: (914)-934-2190

SnapMark™
SMS2100 Series

2" RADIUS 90° EXTERNAL ELBOW – (SMS2118A-FO)
MATERIAL: STEEL – IVORY FINISH



SMS2100 SERIES
STEEL RACEWAY
SECTION VIEW
STANDARD IVORY FINISH
EACH ORDERED SEPARATELY
SCALE: NONE



SMS2118A-FO
2" RADIUS 90° EXTERNAL ELBOW
(ASSEMBLY HARDWARE PROVIDED)

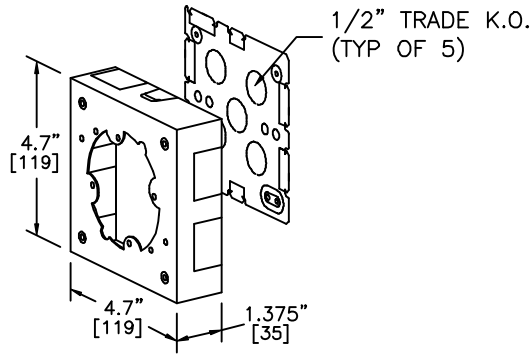


MONO-SYSTEMS, INC.
UNIQUE CABLE DISTRIBUTION SOLUTIONS
4 INTERNATIONAL DRIVE
RYE BROOK, NEW YORK 10573
PHONE: (914)-934-2075
FAX: (914)-934-2190

SnapMark™
SMS2100 Series

DISTRIBUTION BOX – (SMS2135)

MATERIAL: STEEL – GALV / IVORY FINISH



SMS2135
DISTRIBUTION BOX
31 C.I. CAPACITY

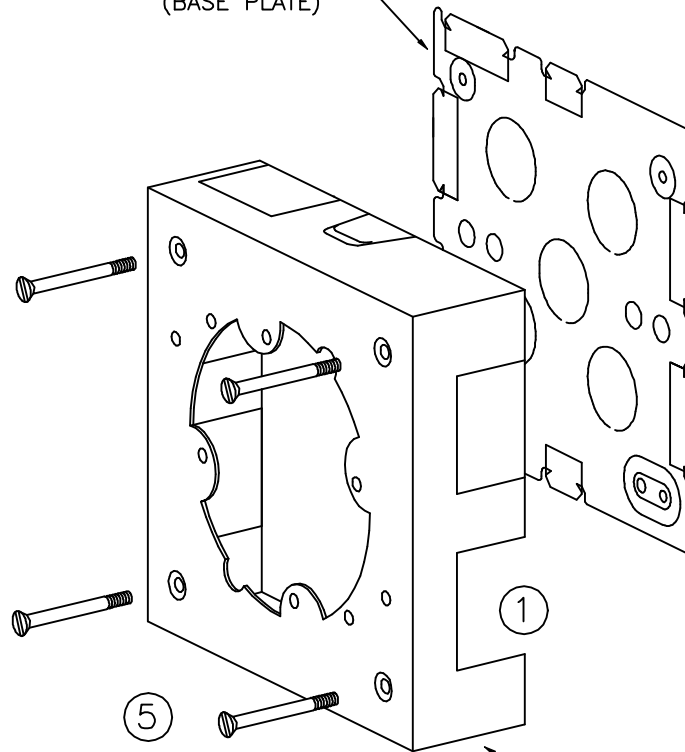
- A.) CAN ACCOMMODATE DEVICES WITH MOUNTING MOUNTING CENTERS OF 2 3/4", 3 1/2" OR 4 1/16" AND CANOPY FIXTURES NOT LARGER THAN 4 5/8" DIA.
- B.) CAN ALSO ACCOMMODATE A THROUGH RUN OF SMS500 OR SMS700.
- C.) 10–32 GROUND SCREW PROVIDED.

ASSEMBLY INSTRUCTIONS

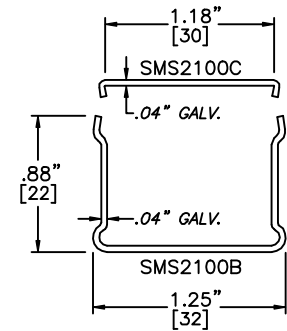
1. REMOVE APPROPRIATE RACEWAY K.O. FROM COVER.
2. SLIDE SMS2100B SECTIONS OVER TAB ON BASE PLATE.
3. SECURE BASE PLATE TO MOUNTING SURFACE USING APPROPRIATE HARDWARE. (BY OTHERS)
4. TERMINATE WIRING PER NEC AND LOCAL CODES.
5. ATTACH COVER TO BASE PLATE USING PROVIDED NO. 6 HARDWARE.

FILENAME: SMS2135

SMS2135
DISTRIBUTION BOX
(BASE PLATE)



SMS2135
DISTRIBUTION BOX
(COVER)



SMS2100 SERIES
STEEL RACEWAY
SECTION VIEW
STANDARD IVORY FINISH
EACH ORDERED SEPARATELY
SCALE: NONE

2

SMS2100B
(ORDERED SEPARATELY)

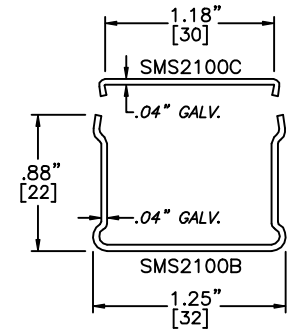


MONO-SYSTEMS, INC.
UNIQUE CABLE DISTRIBUTION SOLUTIONS
4 INTERNATIONAL DRIVE
RYE BROOK, NEW YORK 10573
PHONE: (914)–934–2075
FAX: (914)–934–2190

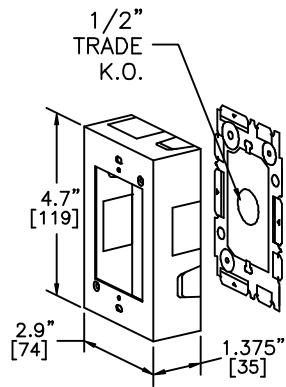
www.monosystems.com

SnapMark™
SMS2100 Series

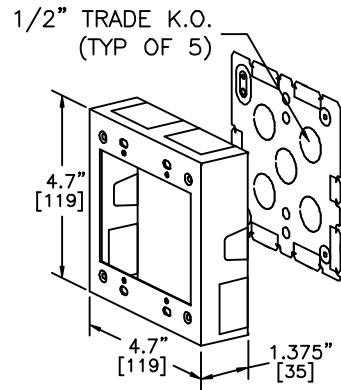
SWITCH AND RECEPTACLE BOX – SINGLE GANG (SMS2141)
SWITCH AND RECEPTACLE BOX – TWO GANG (SMS2141-2)
MATERIAL: STEEL – GALV / IVORY FINISH



SMS2100 SERIES
STEEL RACEWAY
SECTION VIEW
STANDARD IVORY FINISH
EACH ORDERED SEPARATELY
SCALE: NONE

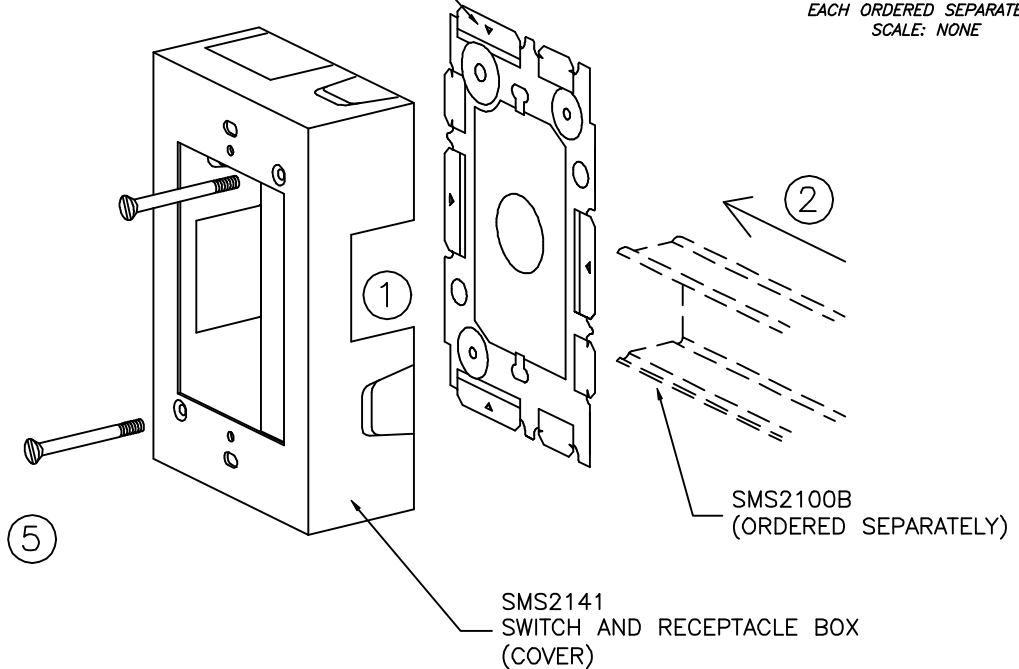


SMS2141
SINGLE GANG
18 C.I. CAPACITY



SMS2141-2
TWO GANG
31 C.I. CAPACITY

SMS2141
SWITCH AND RECEPTACLE BOX
(BASE PLATE)



SMS2141
SWITCH AND RECEPTACLE BOX
(COVER)

- A.) FOR SHALLOW SWITCHES, RECEPTACLES AND COMBINATION DEVICES.
- B.) CAN ALSO ACCOMMODATE A THROUGH RUN OF SMS500 OR SMS700.
- C.) 10-32 GROUND SCREW PROVIDED.

ASSEMBLY INSTRUCTIONS

1. REMOVE APPROPRIATE RACEWAY K.O. FROM COVER.
2. SLIDE SMS2100B SECTIONS OVER TAB ON BASE PLATE.
3. SECURE BASE PLATE TO MOUNTING SURFACE USING APPROPRIATE HARDWARE. (BY OTHERS)
4. TERMINATE WIRING PER NEC AND LOCAL CODES.
5. ATTACH COVER TO BASE PLATE USING PROVIDED NO. 6 HARDWARE.

FILENAME: SMS2141

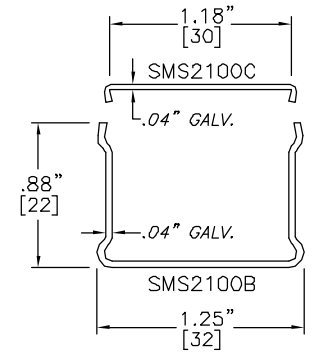
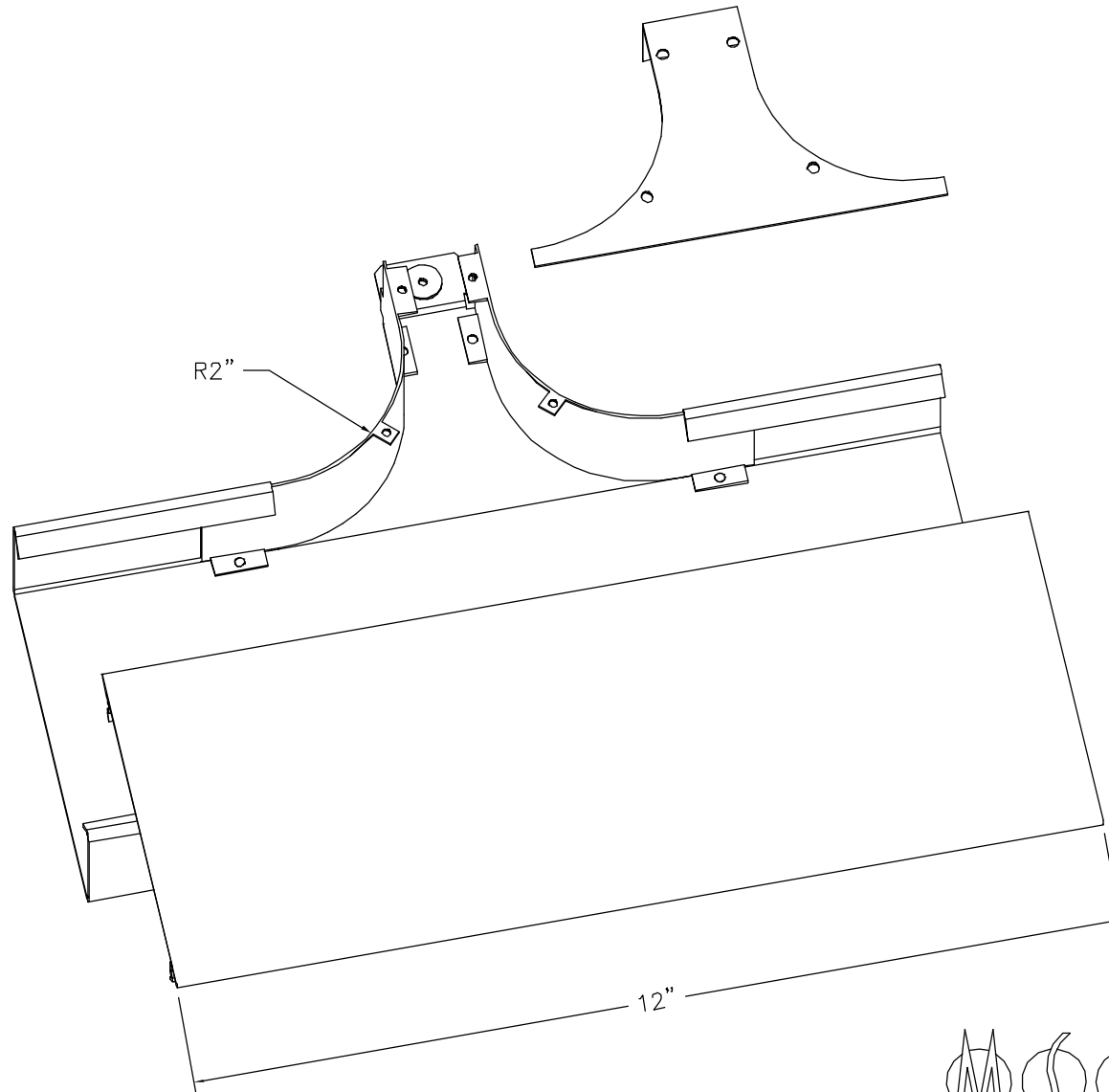
www.monosystems.com



MONO-SYSTEMS, INC.
UNIQUE CABLE DISTRIBUTION SOLUTIONS
4 INTERNATIONAL DRIVE
RYE BROOK, NEW YORK 10573
PHONE: (914)-934-2075
FAX: (914)-934-2190

SnapMark™
SMS2100 Series

SMS2100 / SMS4200 ADAPTER (SMS2142)



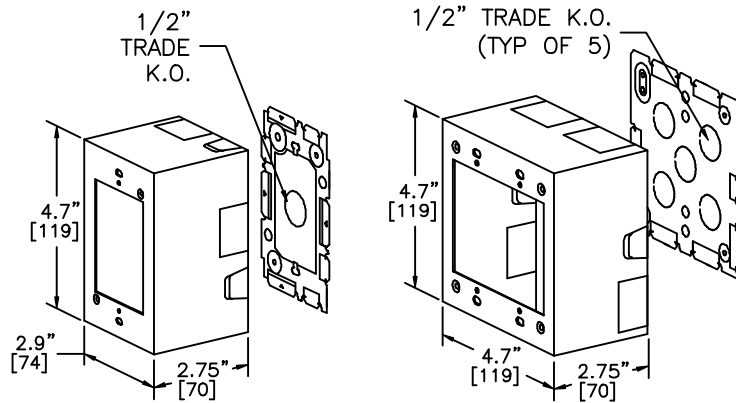
SMS2100 SERIES
 STEEL RACEWAY
 SECTION VIEW
 STANDARD IVORY FINISH
 EACH ORDERED SEPARATELY
 SCALE: NONE



SnapMark™
SMS2100 Series

EXTRA DEEP SWITCH AND RECEPTACLE BOX – SINGLE GANG (SMS2144)
EXTRA DEEP SWITCH AND RECEPTACLE BOX – TWO GANG (SMS2144-2)

MATERIAL: STEEL – GALV / IVORY FINISH



SMS2144
SINGLE GANG
37 C.I. CAPACITY

SMS2144-2
TWO GANG
62 C.I. CAPACITY

A.) FOR SWITCHES AND RECEPTACLES
UP TO 30A RATING.

B.) CAN ALSO ACCOMMODATE A THROUGH RUN
OF SMS500 OR SMS700.

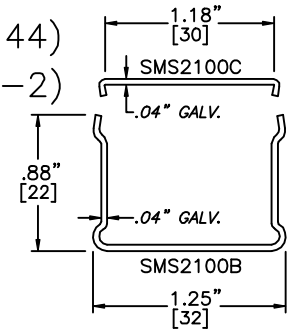
C.) 10-32 GROUND SCREW PROVIDED.

ASSEMBLY INSTRUCTIONS

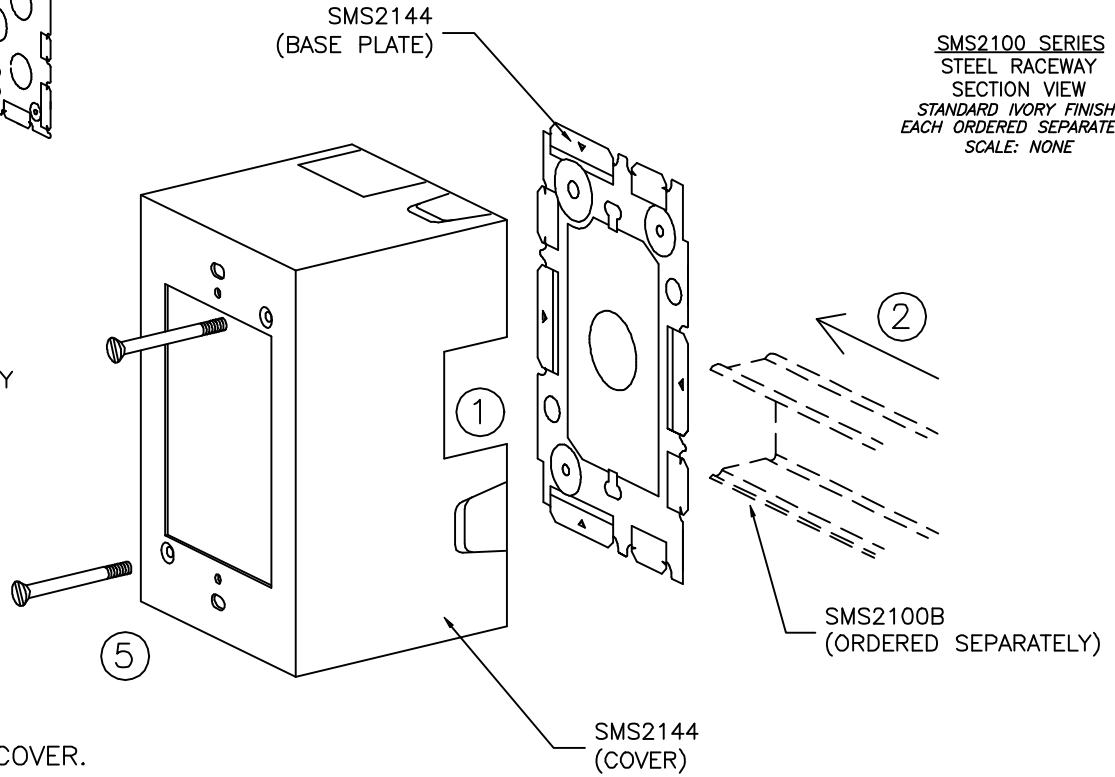
1. REMOVE APPROPRIATE RACEWAY K.O. FROM COVER.
2. SLIDE SMS2100B SECTIONS OVER TAB ON BASE PLATE.
3. SECURE BASE PLATE TO MOUNTING SURFACE USING
APPROPRIATE HARDWARE. (BY OTHERS)
4. TERMINATE WIRING PER NEC AND LOCAL CODES.
5. ATTACH COVER TO BASE PLATE USING PROVIDED NO. 6 HARDWARE.

FILENAME: SMS2144

www.monosystems.com



SMS2100 SERIES
STEEL RACEWAY
SECTION VIEW
STANDARD IVORY FINISH
EACH ORDERED SEPARATELY
SCALE: NONE



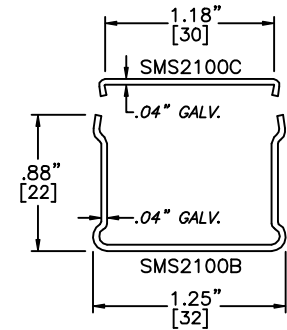
MONO-SYSTEMS, INC.
UNIQUE CABLE DISTRIBUTION SOLUTIONS
4 INTERNATIONAL DRIVE
RYE BROOK, NEW YORK 10573
PHONE: (914)-934-2075
FAX: (914)-934-2190

SnapMark™
SMS2100 Series

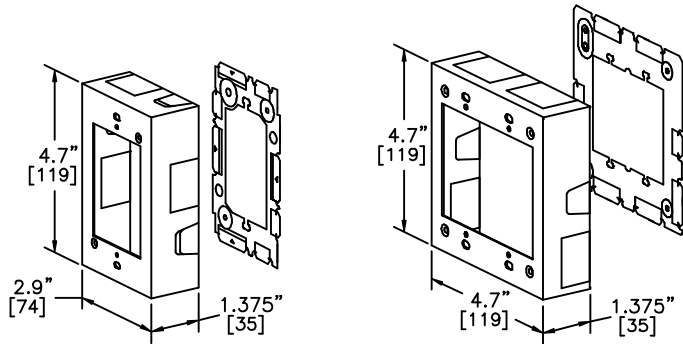
EXTENSION ADAPTER BOX – SINGLE GANG (SMS2151)

EXTENSION ADAPTER BOX – TWO GANG (SMS2151-2)

MATERIAL: STEEL – GALV / IVORY FINISH



SMS2100 SERIES
STEEL RACEWAY
SECTION VIEW
STANDARD IVORY FINISH
EACH ORDERED SEPARATELY
SCALE: NONE



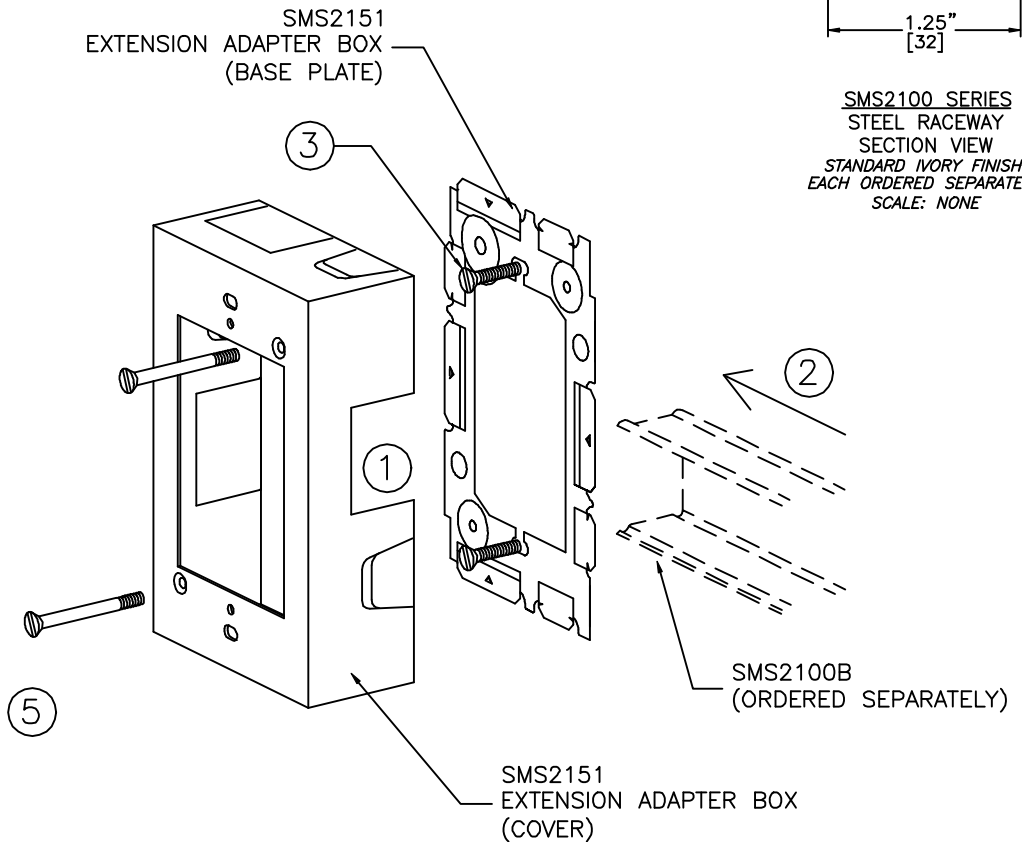
SMS2151
SINGLE GANG
18 C.I. CAPACITY

SMS2151-2
TWO GANG
31 C.I. CAPACITY

A.) FOR EXTENDING FROM EXISTING FLUSH RECEPTACLE AND SWITCH OUTLETS.

B.) CAN ALSO ACCOMMODATE A THROUGH RUN OF SMS500 OR SMS700.

C.) 10-32 GROUND SCREW PROVIDED.



ASSEMBLY INSTRUCTIONS

1. REMOVE APPROPRIATE RACEWAY K.O. FROM COVER.
2. SLIDE SMS2100B SECTIONS OVER TAB ON BASE PLATE.
3. SECURE BASE PLATE TO EXISTING FLUSH OUTLET USING PROVIDED HARDWARE.
4. TERMINATE WIRING PER NEC AND LOCAL CODES.
5. ATTACH COVER TO BASE PLATE USING PROVIDED NO. 6 HARDWARE.

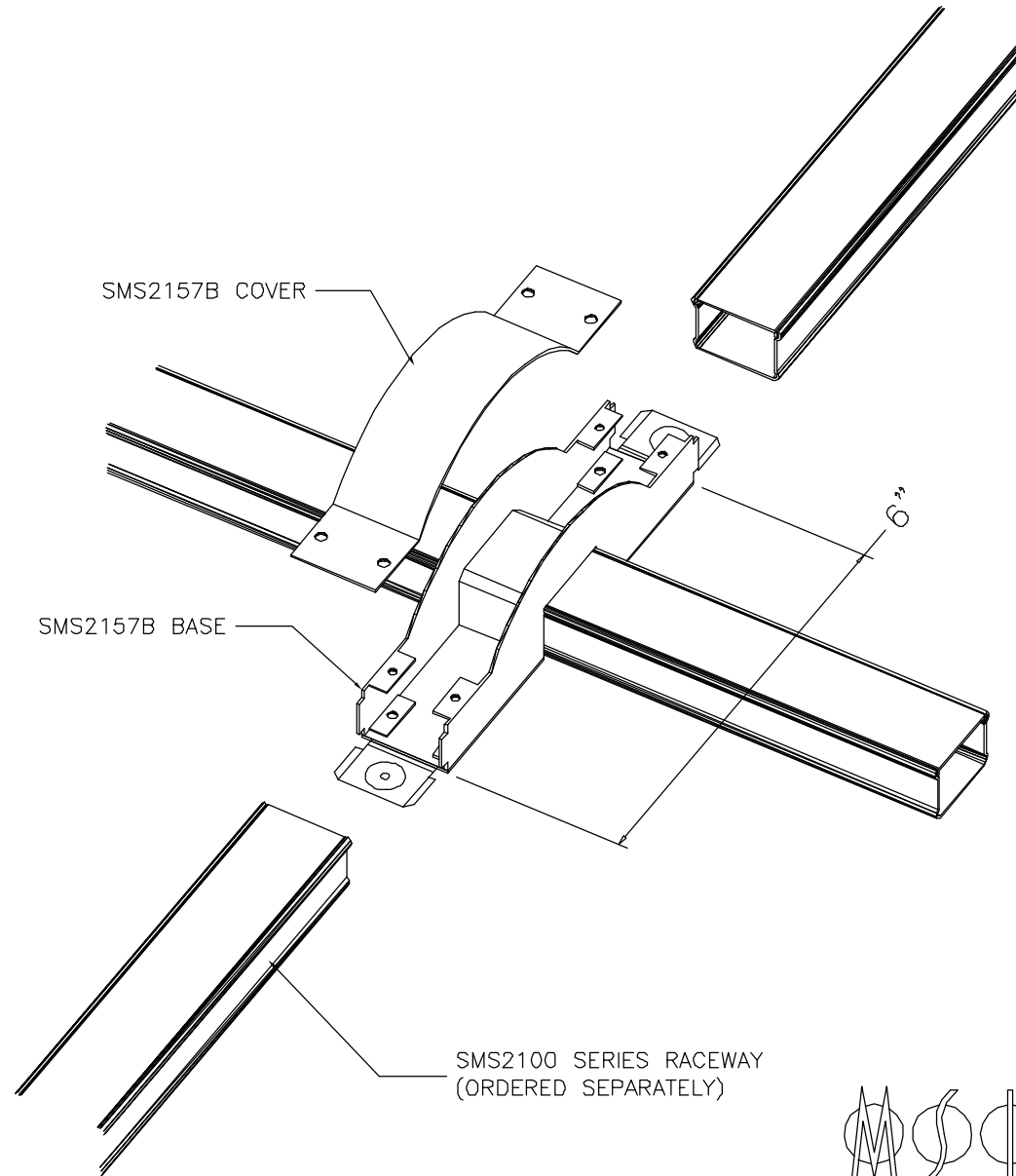
FILENAME: SMS2151

www.monosystems.com



MONO-SYSTEMS, INC.
UNIQUE CABLE DISTRIBUTION SOLUTIONS
4 INTERNATIONAL DRIVE
RYE BROOK, NEW YORK 10573
PHONE: (914)-934-2075
FAX: (914)-934-2190

M.S.I. P/N: SMS2157B
BRIDGE OVER SMS500/700 & SMS2100 SERIES RACEWAYS



PATENT PENDING
ASSEMBLY HARDWARE PROVIDED
AVAILABLE IN STANDARD IVORY

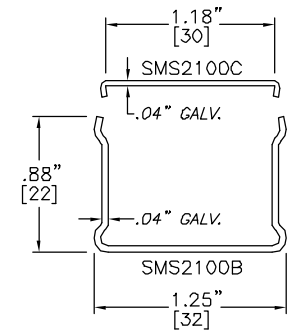
05/01/02 DOCUMENT REF. NO.: SMS2157B.DWG



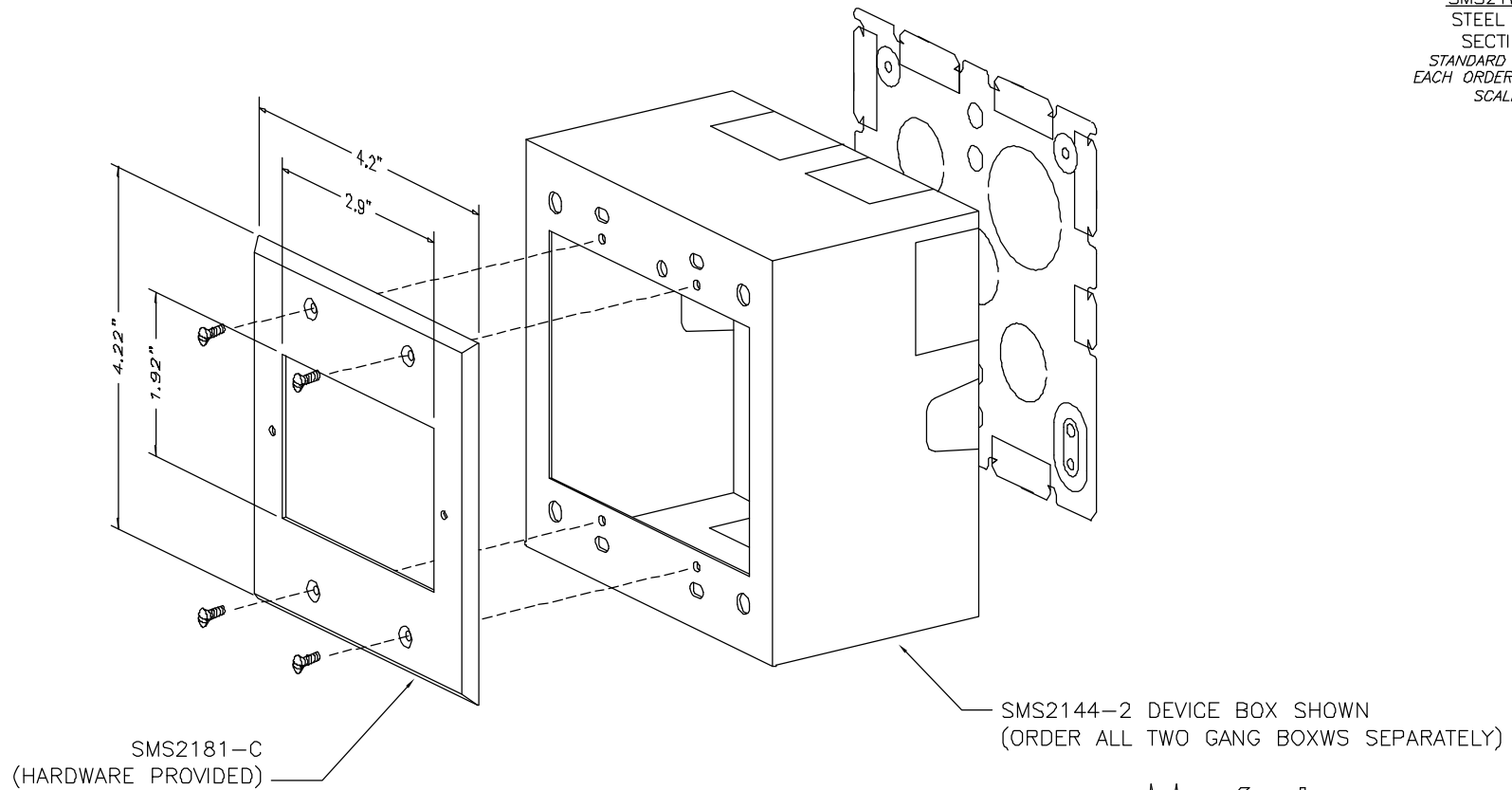
MONO-SYSTEMS, INC.
UNIQUE CABLE DISTRIBUTION SOLUTIONS
4 INTERNATIONAL DRIVE
RYE BROOK, NEW YORK 10573
PHONE: (914)-934-2075
FAX: (914)-934-2190

SnapMark™
SMS2100 Series

HORIZONTAL DEVICE ADAPTER (SMS2181-C)



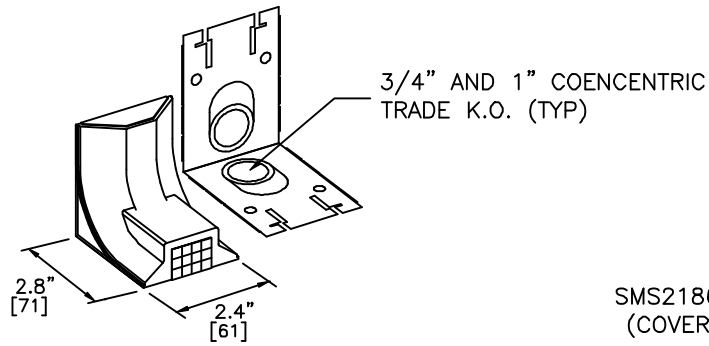
SMS2100 SERIES
 STEEL RACEWAY
 SECTION VIEW
 STANDARD IVORY FINISH
 EACH ORDERED SEPARATELY
 SCALE: NONE



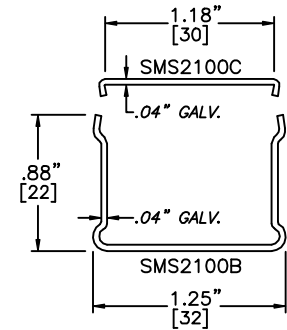
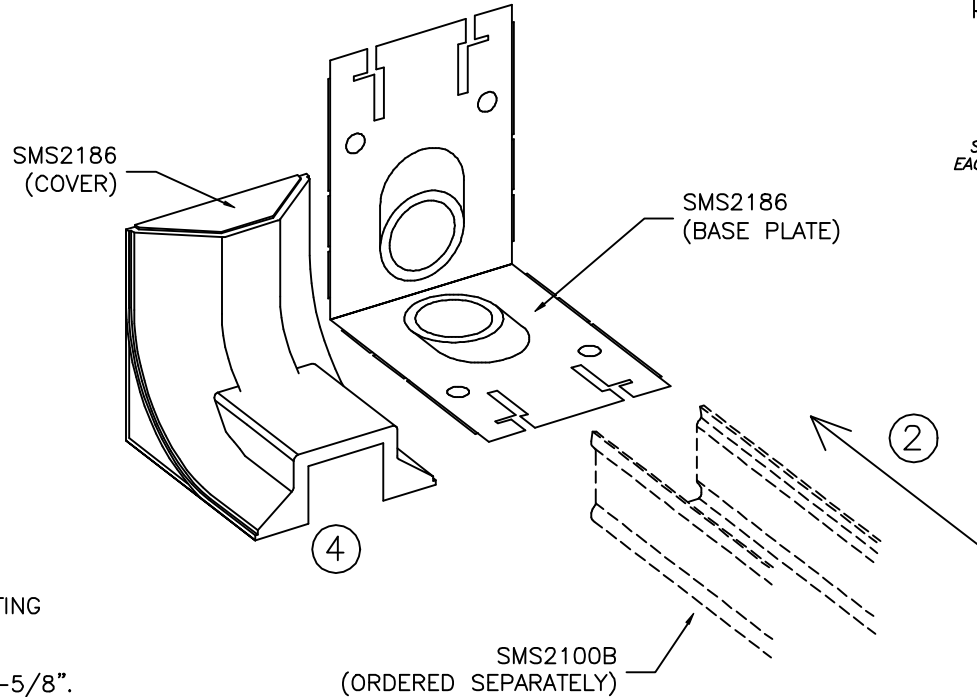
SnapMark™
SMS2100 Series

ADJUSTABLE OFFSET CONNECTOR – (SMS2186)

MATERIAL: STEEL – GALV / DIE CAST COVER – IVORY FINISH



SMS2186
 ADJUSTABLE OFFSET CONNECTOR



SMS2100 SERIES
 STEEL RACEWAY
 SECTION VIEW
 STANDARD IVORY FINISH
 EACH ORDERED SEPARATELY
 SCALE: NONE

- A.) ELIMINATES OFFSETTING RACEWAY WHEN CONNECTING TO SURFACE PANEL BOXES. (BY OTHERS)
- B.) CAN ACCOMMODATE ADJUSTMENT FROM 1" TO 1-5/8".

ASSEMBLY INSTRUCTIONS

1. ATTACH ADJUSTABLE OFFSET CONNECTOR TO PANEL BOX (BY OTHERS) USING HARDWARE BY OTHERS.
2. SLIDE RACEWAY ONTO BASE PLATE TAB.
3. TERMINATE WIRING PER NEC AND LOCAL CODES.
4. REMOVE K.O. FROM COVER AND SNAP ONTO BASE PLATE.



MONO-SYSTEMS, INC.
 UNIQUE CABLE DISTRIBUTION SOLUTIONS
 4 INTERNATIONAL DRIVE
 RYE BROOK, NEW YORK 10573
 PHONE: (914)-934-2075
 FAX: (914)-934-2190