

Infloor Distribution Systems

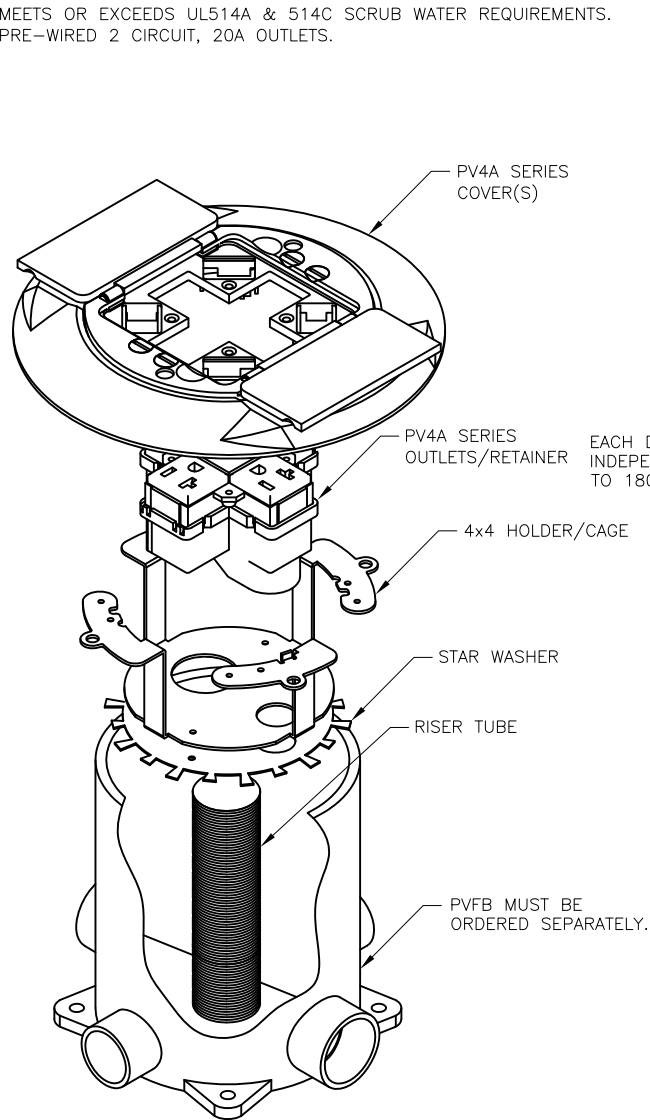
INFLOOR SYSTEMS

PV4A-BS (BRASS PAINT) POKE THROUGH

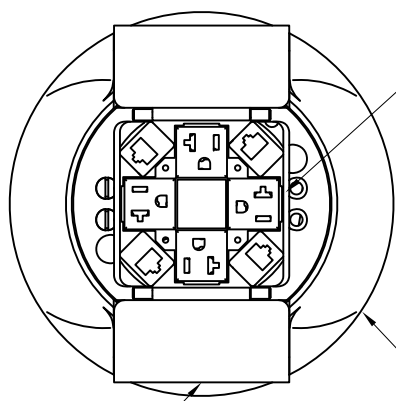
NOTES:

- 1) USE IN CONCRETE FLOORS FROM 2-1/4" to 7" IN THICKNESS
- 2) FOR USE WITH 6" CORE HOLE.
- 3) MEETS OR EXCEEDS UL514A & 514C SCRUB WATER REQUIREMENTS.
- 4) PRE-WIRED 2 CIRCUIT, 20A OUTLETS.

INFLOOR	Description
Part Number:	
PV4A-BS	Four 20A pre-wired power outlets and four Cat 6 data outlets.
*=Add color suffix: AL = Brushed Aluminum, BK=Black Paint, GY=Gray Paint, BS=Brass Paint	



EACH DOOR OPENS INDEPENDENTLY TO 180°



POKE THROUGH PROVIDED WITH (4) 20A 5-20R PRE-WIRED OUTLETS & (4) CAT6 DATA JACKS (DATA JACK WIRING BY OTHERS) NOTE: RECEPTACLES MAY BE EASILY FIELD WIRED AS ISOLATED GROUND (I.G.) IF REQUIRED.

CARPET TRIM RING SHOWN.

INSTALLATION INSTRUCTIONS FOR THE TRI SERVICE UNIVERSAL DIVIDER KIT:

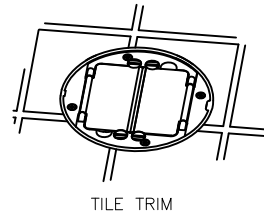
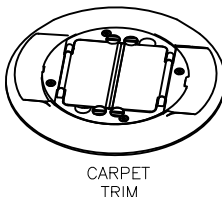
ADJUST THE RIDER TUBE TO THE PROPER HEIGHT BY PLACING THE TUBE IN THE PVFB. MARK THE DEPTH OF THE BOX ON THE TUBE. CUT THE TUBE 1-1/2" BENEATH THE MARK.

PLACE THE BASE DIVIDER IN THE BOTTOM OF THE PVFB BY PULLING THE ELECTRICAL WIRES THROUGH THE CENTER OPENING. COMPRESS THE BASE DIVIDER ALLOWING IT TO SLIDE FREELY DOWN INTO THE PVFB. ALIGN THE BASE DIVIDER WITH THE DESIRED HUBS. PRESS THE LOCATION TAB DOWN TO SECURE THE BASE DIVIDER INTO POSITION.

PULL ELECTRICAL WIRES THROUGH THE RISER TUBE AND SNAP THE TUBE INTO THE BASE DIVIDER.

PULL DATA AND COMMUNICATION CABLES INTO POSITION ON THE OUTSIDE THE UPPER DIVIDER.

THE TRIM PLATE CAN NOW BE INSTALLED.



Infloor Distribution Systems

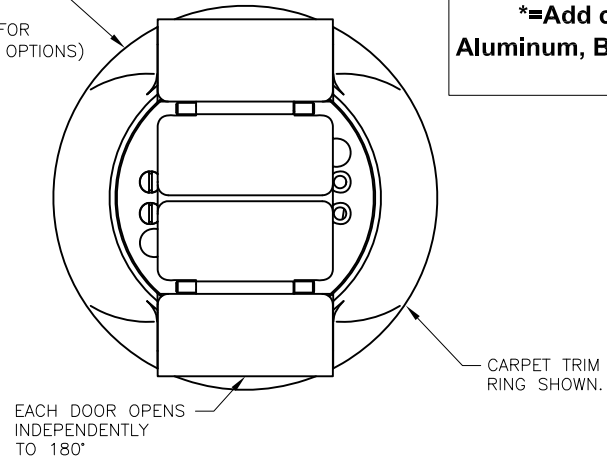
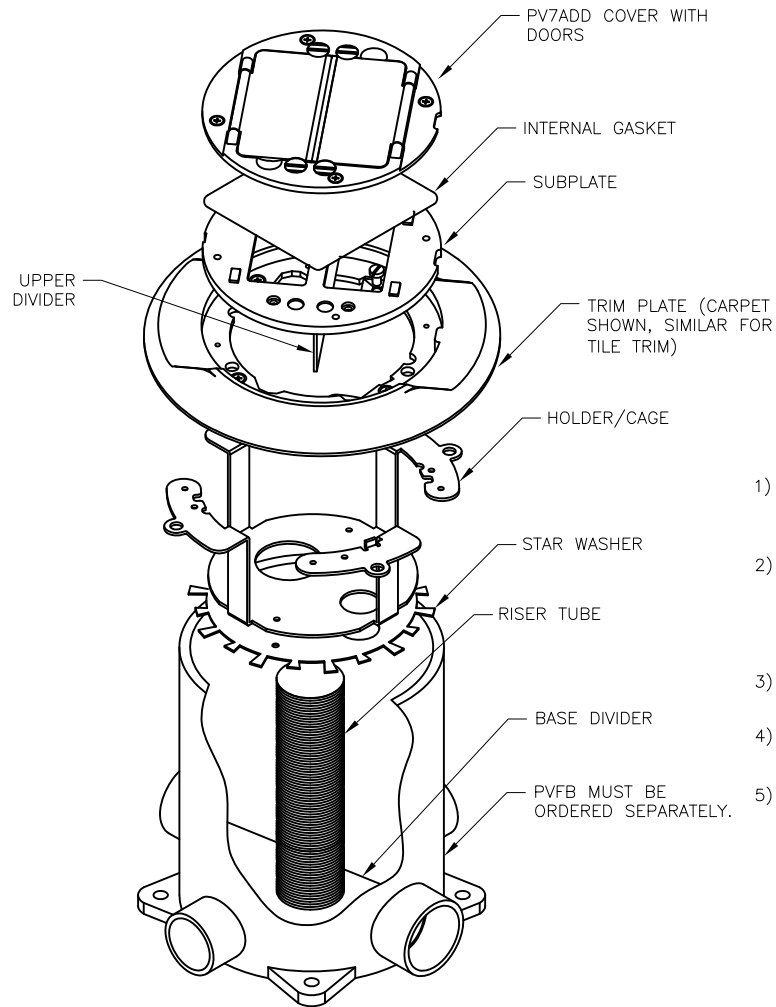
INFLOOR SYSTEMS

PV7ADD-BS (BRASS PAINT) POKE THROUGH

NOTES:

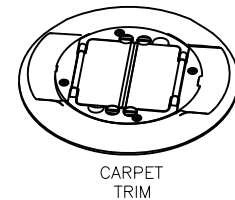
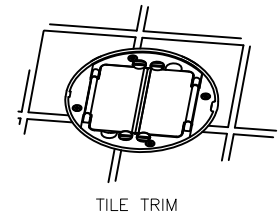
- 1) USE IN CONCRETE FLOORS FROM 2-1/4" to 7" IN THICKNESS
- 2) FOR USE WITH 4" CORE HOLE.
- 3) MEETS OR EXCEEDS UL514A & 514C SCRUB WATER REQUIREMENTS.

MONO-SYSTEMS
POKE THROUGH
(SEE CATALOG FOR
CONFIGURATION OPTIONS)



INSTALLATION INSTRUCTIONS FOR THE TRI SERVICE UNIVERSAL DIVIDER KIT:

- 1) ADJUST THE RIDER TUBE TO THE PROPER HEIGHT BY PLACING THE TUBE IN THE PVFB. MARK THE DEPTH OF THE BOX ON THE TUBE. CUT THE TUBE 1-1/2" BENEATH THE MARK.
- 2) PLACE THE BASE DIVIDER IN THE BOTTOM OF THE PVFB BY PULLING THE ELECTRICAL WIRES THROUGH THE CENTER OPENING. COMPRESS THE BASE DIVIDER ALLOWING IT TO SLIDE FREELY DOWN INTO THE PVFB. ALIGN THE BASE DIVIDER WITH THE DESIRED HUBS. PRESS THE LOCATION TAB DOWN TO SECURE THE BASE DIVIDER INTO POSITION.
- 3) PULL ELECTRICAL WIRES THROUGH THE RISER TUBE AND SNAP THE TUBE INTO THE BASE DIVIDER.
- 4) PULL DATA AND COMMUNICATION CABLES INTO POSITION ON THE OUTSIDE THE UPPER DIVIDER.
- 5) THE TRIM PLATE CAN NOW BE INSTALLED.



INFLOOR	Description
Part Number:	
PV7ADD-BS	Four 20A pre-wired power outlets and four Cat 6 data outlets.
<p>*=Add color suffix: AL = Brushed Aluminum, BK=Black Paint, GY=Gray Paint, BS=Brass Paint</p>	



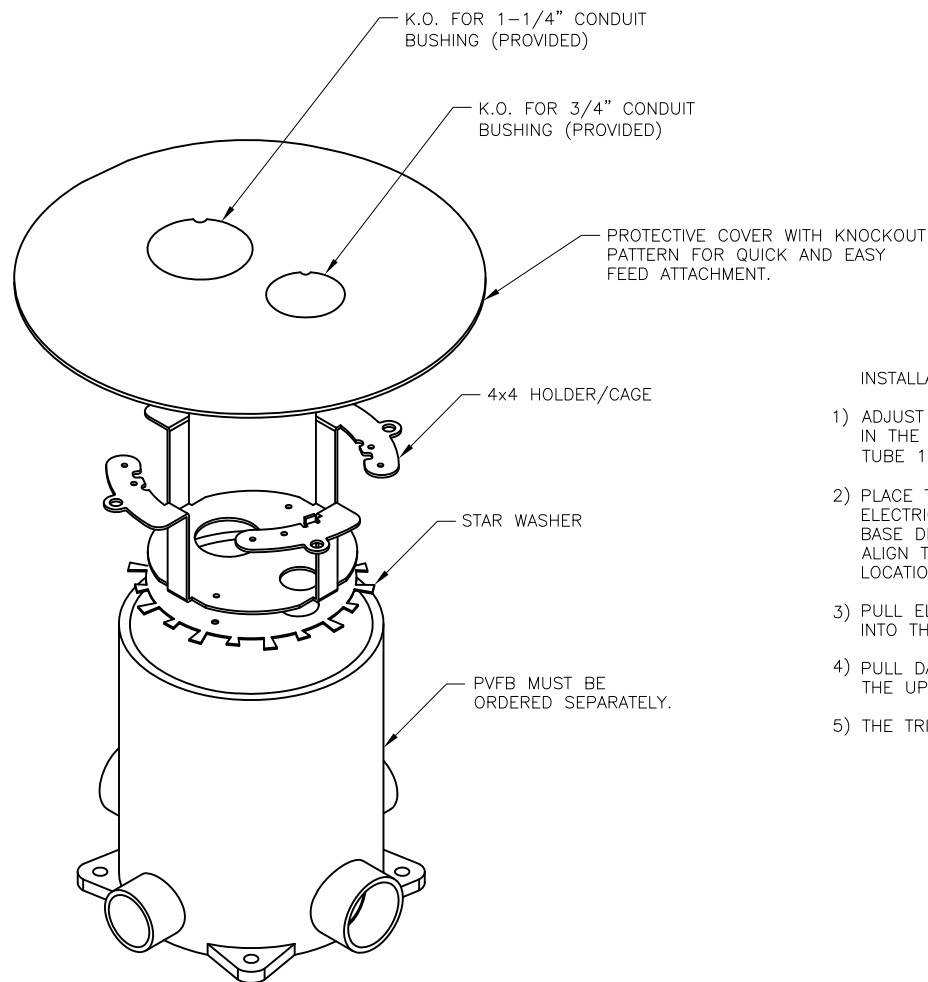
Infloor Distribution Systems

INFLOOR SYSTEMS

PV9AFF4-BK (BLACK PAINT) POKE THROUGH

NOTES:

- 1) USE IN CONCRETE FLOORS FROM 2-1/4" to 7" IN THICKNESS
- 2) FOR USE WITH 6" CORE HOLE.
- 3) MEETS OR EXCEEDS UL514A & 514C SCRUB WATER REQUIREMENTS.



INSTALLATION INSTRUCTIONS FOR THE TRI SERVICE UNIVERSAL DIVIDER KIT:

- 1) ADJUST THE RIDER TUBE TO THE PROPER HEIGHT BY PLACING THE TUBE IN THE PVFB. MARK THE DEPTH OF THE BOX ON THE TUBE. CUT THE TUBE 1-1/2" BENEATH THE MARK.
- 2) PLACE THE BASE DIVIDER IN THE BOTTOM OF THE PVFB BY PULLING THE ELECTRICAL WIRES THROUGH THE CENTER OPENING. COMPRESS THE BASE DIVIDER ALLOWING IT TO SLIDE FREELY DOWN INTO THE PVFB. ALIGN THE BASE DIVIDER WITH THE DESIRED HUBS. PRESS THE LOCATION TAB DOWN TO SECURE THE BASE DIVIDER INTO POSITION.
- 3) PULL ELECTRICAL WIRES THROUGH THE RISER TUBE AND SNAP THE TUBE INTO THE BASE DIVIDER.
- 4) PULL DATA AND COMMUNICATION CABLES INTO POSITION ON THE OUTSIDE THE UPPER DIVIDER.
- 5) THE TRIM PLATE CAN NOW BE INSTALLED.

INFLOOR	Description
Part Number:	
PV9AFF4-BK	ONE 3/4" POWER CONDUIT OPENING / ONE 1 1/4" DATACOM OPENING
*=Add color suffix: AL = Brushed Aluminum, BK=Black Paint, GY=Gray Paint, BS=Brass Paint	



MONO-SYSTEMS, INC.

UNIQUE CABLE DISTRIBUTION SOLUTIONS
 4 INTERNATIONAL DRIVE
 RYE BROOK, NEW YORK 10573
 PHONE: (914)-934-2075
 FAX: (914)-934-2190

Infloor Distribution Systems

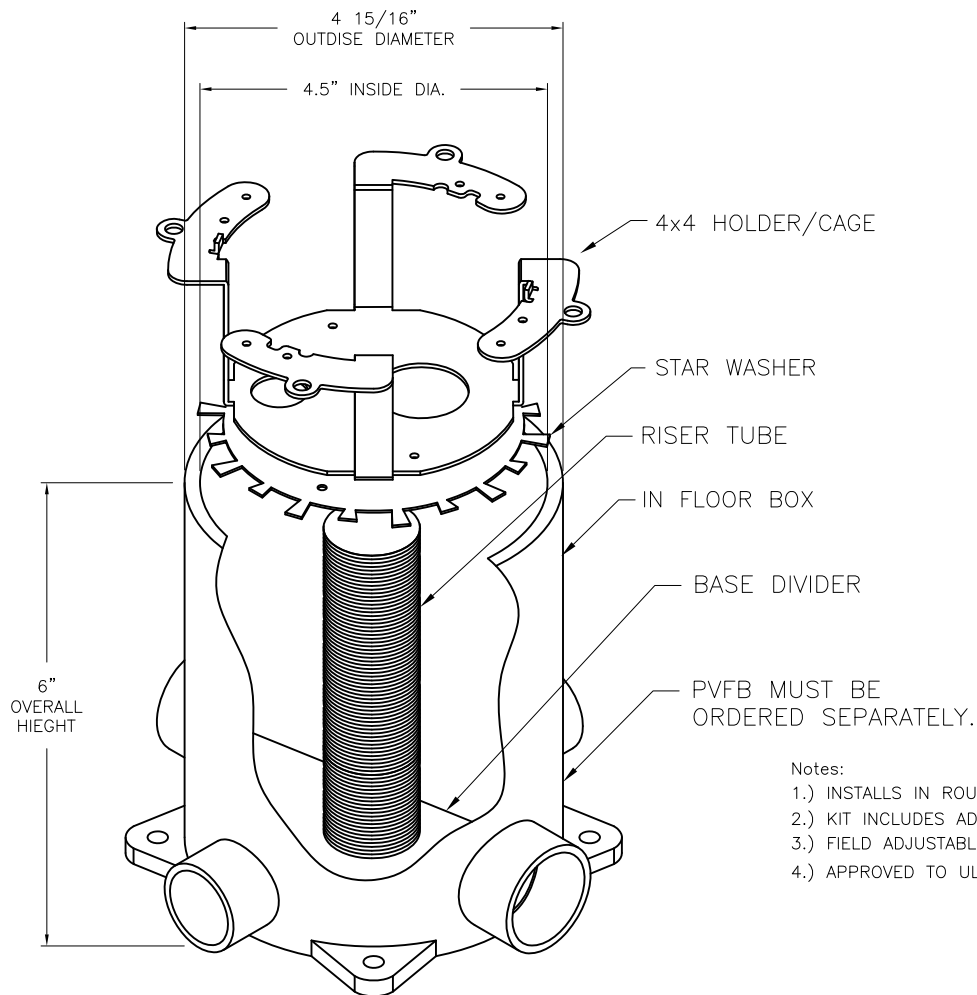
INFLOOR SYSTEMS

PVDK (DIVIDER KIT) POKE THROUGH

NOTES:

- 1) USE IN CONCRETE FLOORS FROM 2- $\frac{1}{4}$ " to 7" IN THICKNESS
- 2) FOR USE WITH 6" CORE HOLE.

INFLOOR	Description
Part Number:	
PVDK	ONE 3/4" POWER CONDUIT OPENING / ONE 1 1/4" DATACOM OPENING



INSTALLATION INSTRUCTIONS FOR THE TRI SERVICE UNIVERSAL DIVIDER KIT:

- 1) ADJUST THE RIDER TUBE TO THE PROPER HEIGHT BY PLACING THE TUBE IN THE PVFB. MARK THE DEPTH OF THE BOX ON THE TUBE. CUT THE TUBE 1-1/2" BENEATH THE MARK.
- 2) PLACE THE BASE DIVIDER IN THE BOTTOM OF THE PVFB BY PULLING THE ELECTRICAL WIRES THROUGH THE CENTER OPENING. COMPRESS THE BASE DIVIDER ALLOWING IT TO SLIDE FREELY DOWN INTO THE PVFB. ALIGN THE BASE DIVIDER WITH THE DESIRED HUBS. PRESS THE LOCATION TAB DOWN TO SECURE THE BASE DIVIDER INTO POSITION.
- 3) PULL ELECTRICAL WIRES THROUGH THE RISER TUBE AND SNAP THE TUBE INTO THE BASE DIVIDER.
- 4) PULL DATA AND COMMUNICATION CABLES INTO POSITION ON THE OUTSIDE THE UPPER DIVIDER.
- 5) THE TRIM PLATE CAN NOW BE INSTALLED.

Notes:

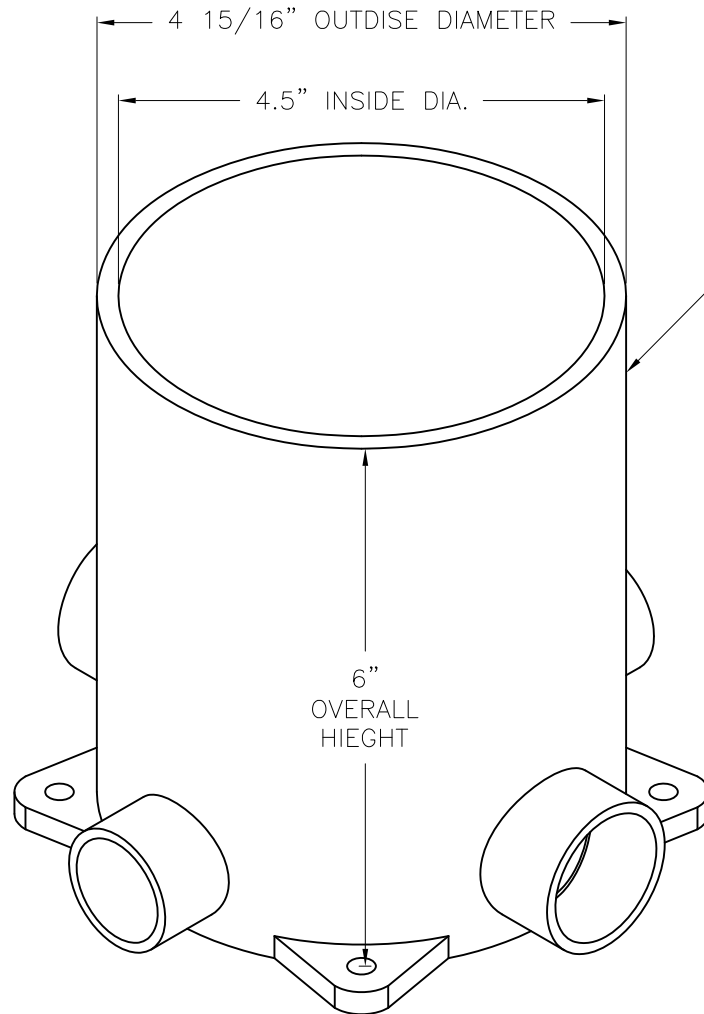
- 1.) INSTALLS IN ROUND PVC FLOOR BOXES WITH DIAMETERS 4 1/4" TO 4 3/4".
- 2.) KIT INCLUDES ADJUSTABLE LOWER HALF, RISER TUBE, UPPER RECEPTACLE HOLDER AND (4) FOUR GROMMETS.
- 3.) FIELD ADJUSTABLE TO FIT A MINIMUM 3" DEPTH TO A MAXIMUM 6" DEPTH.
- 4.) APPROVED TO UL STANDARDS FOR USE WITH SEVEN LEADING BRANDS OF NONMETALLIC FLOOR BOXES.



Infloor Distribution Systems

INFLOOR SYSTEMS

PVFB PVC PLASTIC FLOOR BOX



PVFB PVC PLASTIC FLOOR BOX

Notes:

- 1.) NONMETALLIC PVC CONSTRUCTION.
- 2.) 3/4" AND 1" HUBS ACCEPT BOTH ENT AND PVC CONDUIT.
- 3.) SHIPPED COMPLETE WITH TEMPORARY PROTECTIVE CAP AND DUAL-PURPOSE REDUCER PLUGS TO SEAL AND/OR RE-SIZE HUBS.
- 4.) SUITABLE FOR SLAB-ON-GRADE OR BELOW GRADE, AND WOOD FLOOR CONSTRUCTION.

02/22/2011 DOCUMENT REF. NO.: PVFB



MONO-SYSTEMS, INC.

UNIQUE CABLE DISTRIBUTION SOLUTIONS
4 INTERNATIONAL DRIVE
RYE BROOK, NEW YORK 10573
PHONE: (914)-934-2075
FAX: (914)-934-2190