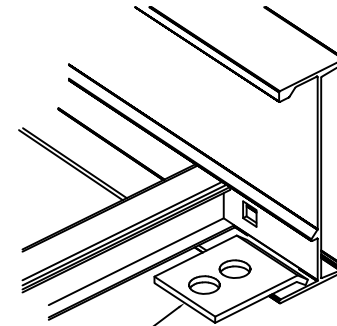
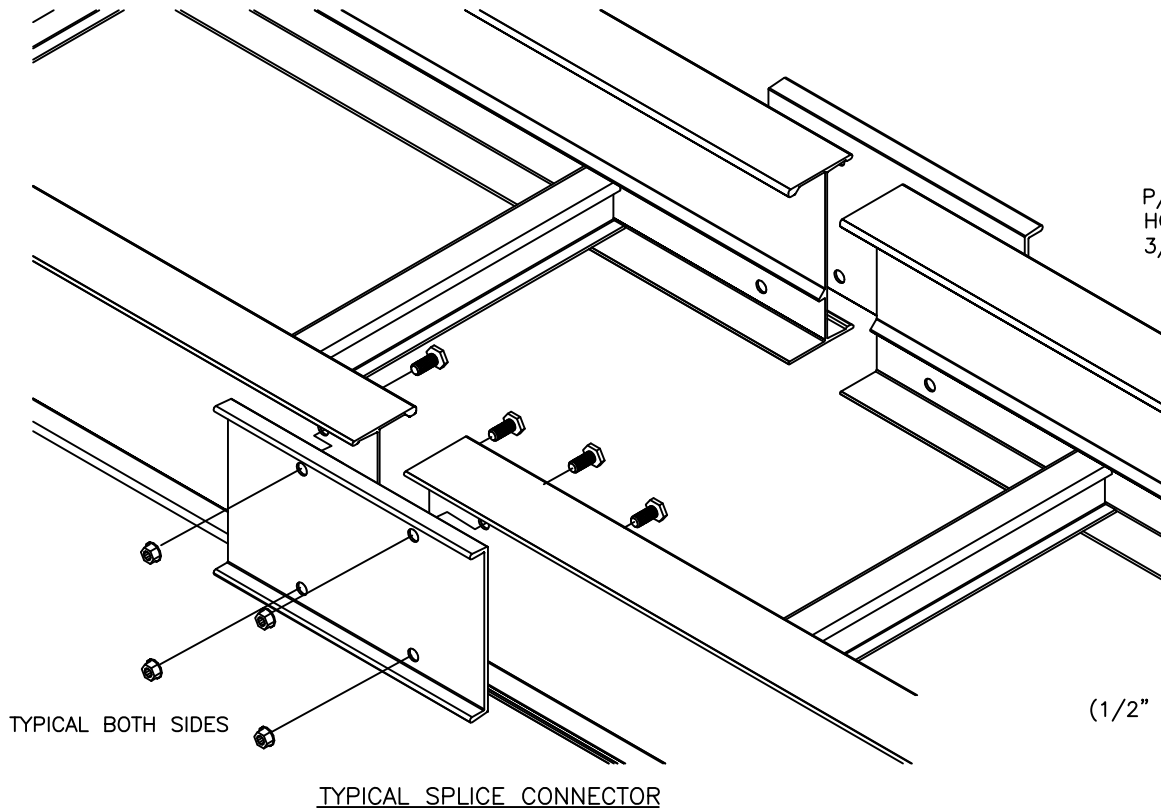


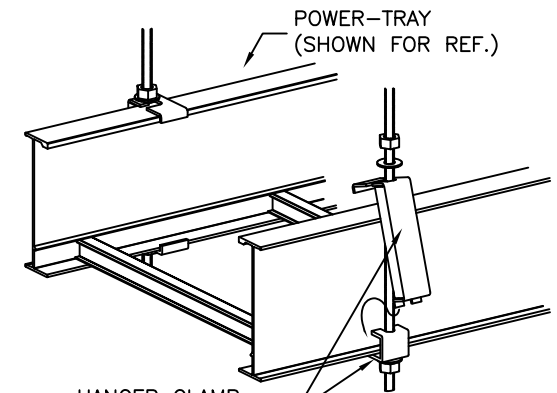
POWER TRAY TYPICAL ASSEMBLY

SCALE: NO SCALE

1. ENSURE THAT SPLICE AND RAIL SURFACES ARE FREE OF DIRT AND CORROSION.
2. ATTACH PLATES TO SIDERAIL OF TRAY, ENSURE THAT THREAD PORTION OF BOLT EXTENDS TO OUTSIDE OF TRAY.
3. FASTEN SECURELY.
4. IF POWDER COATING IS APPLIED TO TRAY, UTILIZE BONDING JUMPERS AT EACH SPLICE LOCATION, AND ALL OTHER TRAY CONNECTION POINTS, TO ENSURE ADEQUATE GROUNDING.
5. ONE PAIR OF SPLICE PLATES PROVIDED WITH EACH TRAY LENGTH.



P/N: Z0-1021
HOLD DOWN CLAMP FOR STRUT
3/8" HARDWARE AND STRUT BY OTHERS.



(1/2" ATR & HARDWARE BY OTHERS)

TYPICAL HANGER CLAMP



MONO-SYSTEMS, INC.

UNIQUE CABLE DISTRIBUTION SOLUTIONS
4 INTERNATIONAL DRIVE
RYE BROOK, NEW YORK 10573
PHONE: (914)-934-2075
FAX: (914)-934-2190