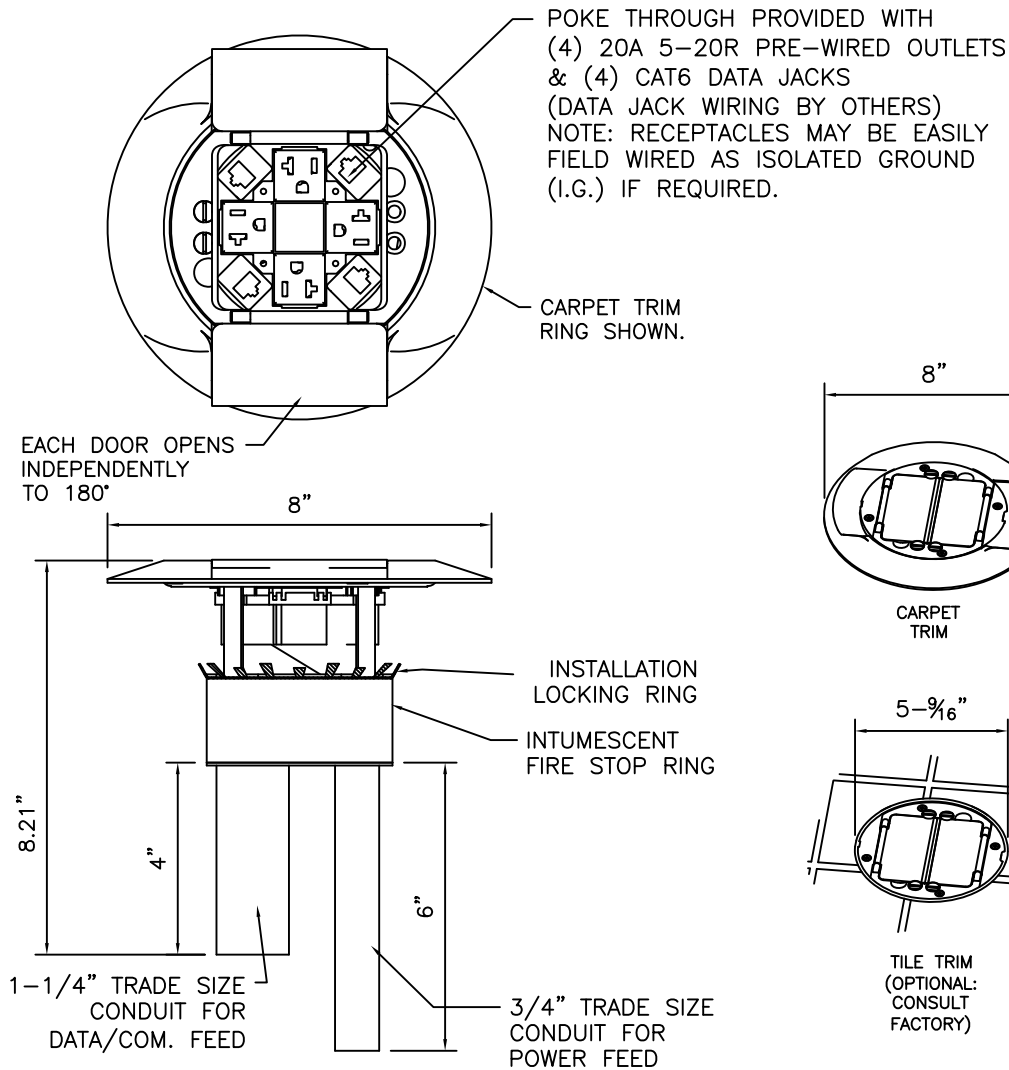


Infloor Distribution Systems

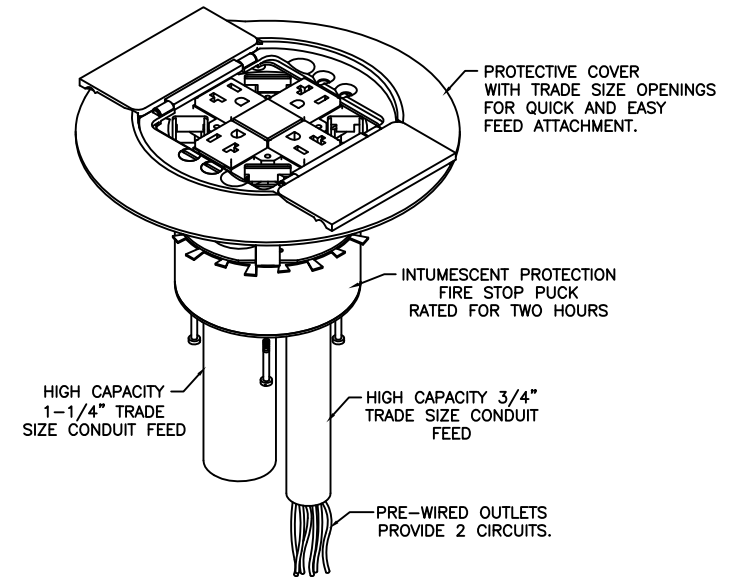
INFLOOR SYSTEMS

P4A-* POKE THROUGH

*=Add color suffix: AL = Brushed Aluminum, BK=Black Paint, GY=Gray Paint, BS=Brass Paint



CARPET TRIM	Description
Part Number:	
PC4A-*	Four 20A pre-wired power outlets and four Cat 6 data outlets.
<p>*=Add color suffix: AL = Brushed Aluminum, BK=Black Paint, GY=Gray Paint, BS=Brass Paint</p>	



NOTES:

- 1) USE IN CONCRETE FLOORS FROM 2-1/4" to 7" IN THICKNESS
- 2) FOR USE WITH 4" CORE HOLE.
- 3) MEETS OR EXCEEDS UL514A & 514C SCRUB WATER REQUIREMENTS.
- 4) PRE-WIRED 2 CIRCUIT, 20A OUTLETS.



Infloor Distribution Systems

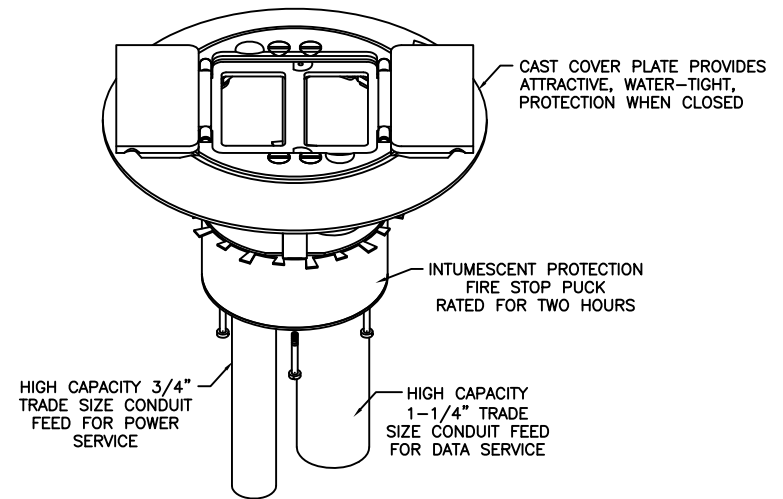
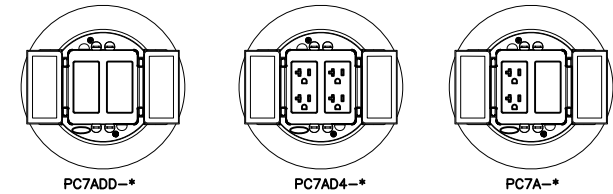
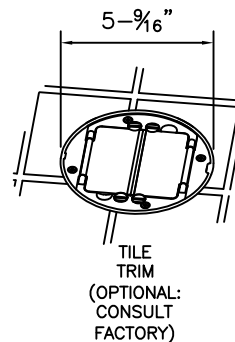
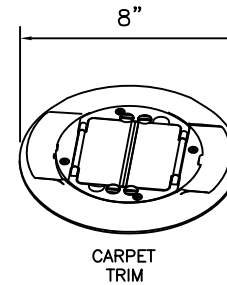
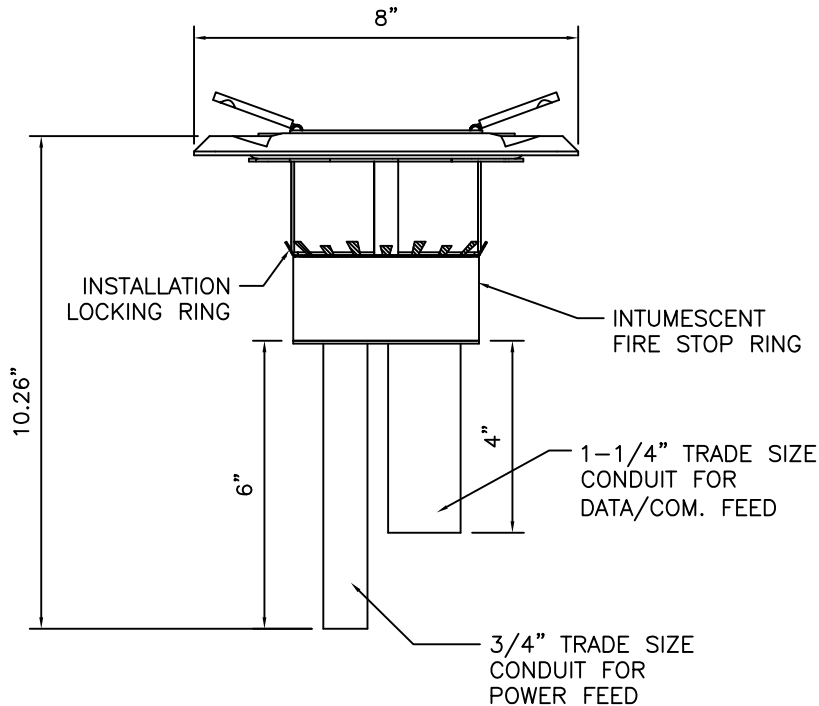
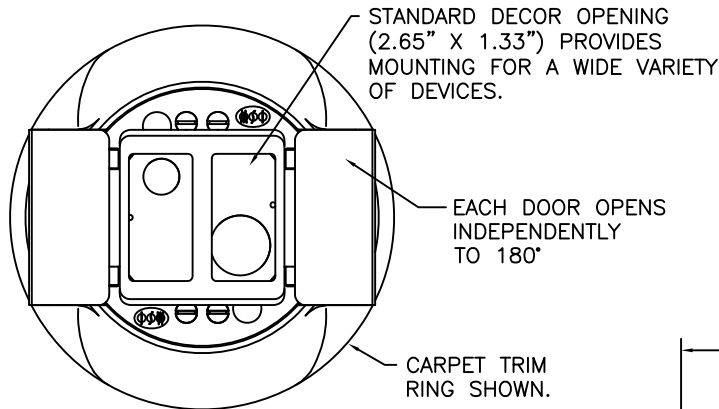
INFLOOR SYSTEMS PC7A-* POKE THROUGH

*=Add color suffix: AL = Brushed Aluminum, BK=Black Paint, GY=Gray Paint, BS=Brass Paint

NOTES:

- 1) USE IN CONCRETE FLOORS FROM 2-1/4" to 7" IN THICKNESS.
- 2) FOR USE WITH 4" CORE HOLE.
- 3) MEETS OR EXCEEDS UL514A & 514C SCRUB WATER REQUIREMENTS.

CARPET TRIM	TILE TRIM	Description
Part Number:	Part Number:	
PC7A-*	PT7A-*	2 Décor Openings: Includes (1) duplex décor-style 20A outlet (unwired)
PC7AD4-*	PT7AD4-*	2 Décor openings. Includes (2) duplex décor-style 20A outlets. (unwired)
PC7ADD-*	PT7ADD-*	2 Décor openings: No power or data devices provided.
*=Add color suffix: AL = Brushed Aluminum, BK=Black Paint, GY=Gray Paint, BS=Cast Brass		

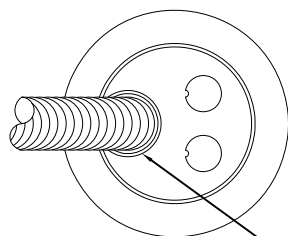


PC7A-* (shown)



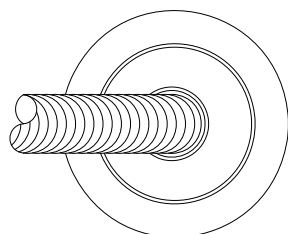
Infloor Distribution Systems

INFLOOR SYSTEMS FURNITURE FEED POKE THROUGHS

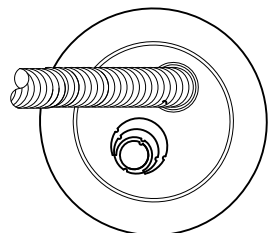


PC7AFF*

(FLEXIBLE CONDUIT NOT PROVIDED, SUPPLIED BY OTHERS. SHOWN FOR REFERENCE)



PC9AFF2*



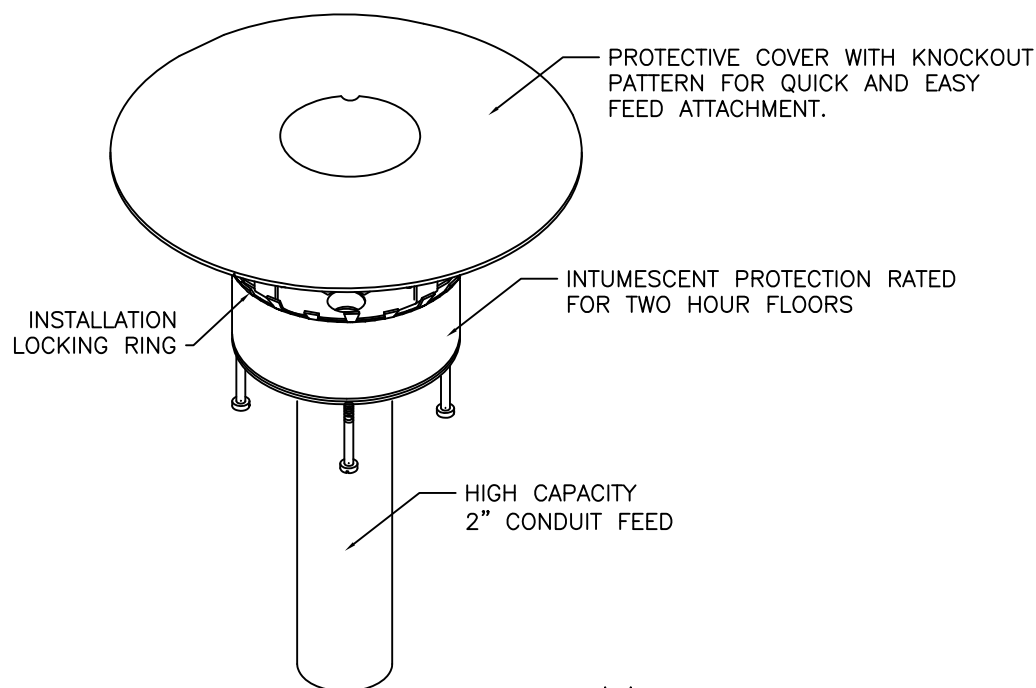
PC9AFF4*

PC9AFF4 FEATURES INTERNAL DIVISION FOR DUAL SERVICE (POWER AND COMMUNICATIONS) REQUIREMENTS.

NOTES:

- 1) USE IN CONCRETE FLOORS FROM 2-1/4" to 7" IN THICKNESS
- 2) FOR USE WITH 4" CORE HOLE.
- 3) MEETS OR EXCEEDS UL514A & 514C SCRUB WATER REQUIREMENTS.

Furniture Feed Poke Throughs:	
Configuration:	Catalog Number:
(2) 1/2" KO's & (1) 3/4" KO	PC7AFF-*
(1) 2" KO	PC9AFF2-*
POWER: (1) 1/2" & (1) 3/4" COMMUNICATION: (1) 1/2", (1) 3/4", (1) 1", (1) 1-1/4" KO	PC9AFF4-*
* = Add Color Suffix: AL =Aluminum, BK =Black, GY = Gray, BS =Brass	



PC9AFF2 SHOWN



MONO-SYSTEMS, INC.
UNIQUE CABLE DISTRIBUTION SOLUTIONS
4 INTERNATIONAL DRIVE
RYE BROOK, NEW YORK 10573
PHONE: (914)-934-2075
FAX: (914)-934-2190

Infloor Distribution Systems

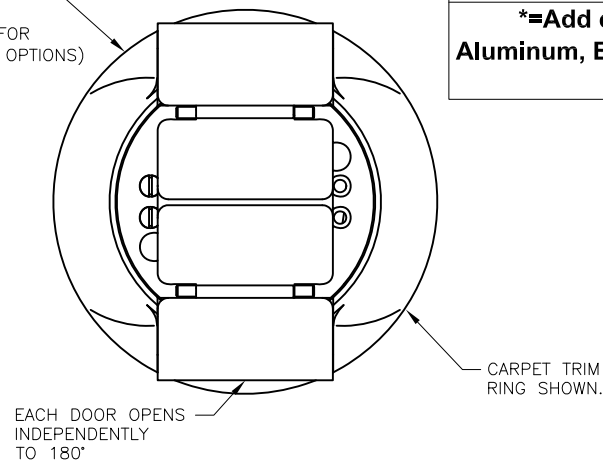
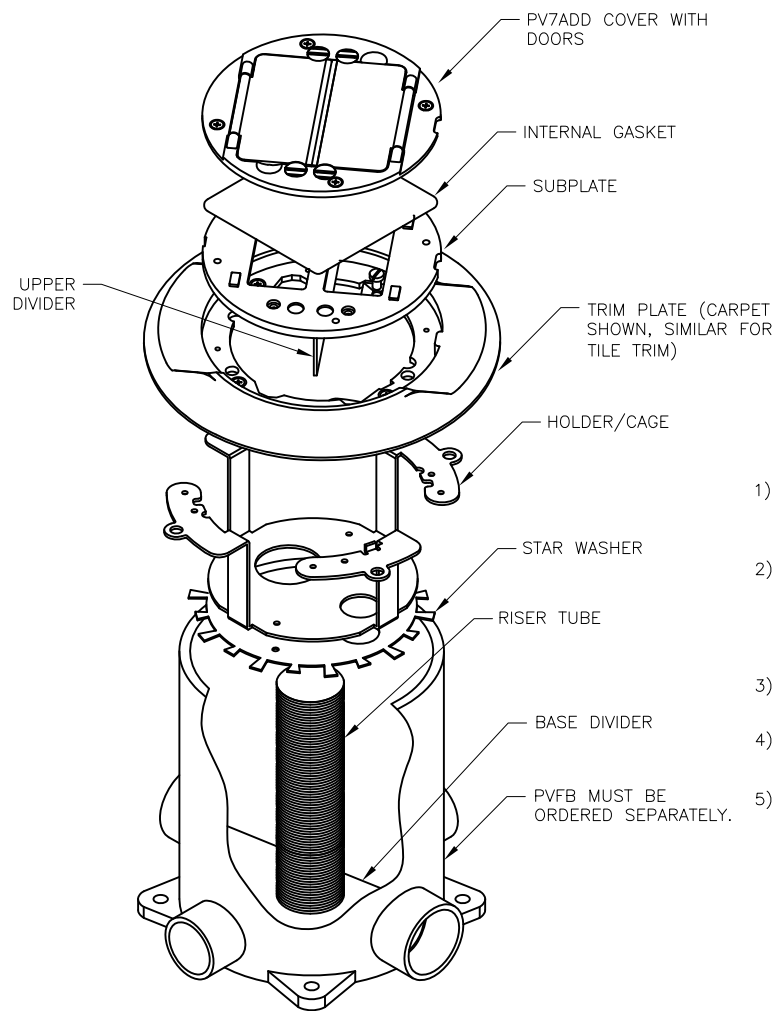
INFLOOR SYSTEMS

PV7ADD-BS (BRASS PAINT) POKE THROUGH

NOTES:

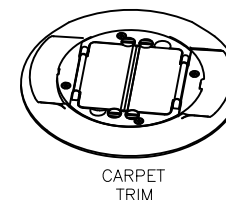
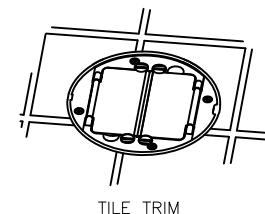
- 1) USE IN CONCRETE FLOORS FROM 2- $\frac{1}{4}$ " to 7" IN THICKNESS
- 2) FOR USE WITH 4" CORE HOLE.
- 3) MEETS OR EXCEEDS UL514A & 514C SCRUB WATER REQUIREMENTS.

MONO-SYSTEMS
POKE THROUGH
(SEE CATALOG FOR
CONFIGURATION OPTIONS)



INSTALLATION INSTRUCTIONS FOR THE TRI SERVICE UNIVERSAL DIVIDER KIT:

- 1) ADJUST THE RIDER TUBE TO THE PROPER HEIGHT BY PLACING THE TUBE IN THE PVFB. MARK THE DEPTH OF THE BOX ON THE TUBE. CUT THE TUBE 1- $\frac{1}{2}$ " BENEATH THE MARK.
- 2) PLACE THE BASE DIVIDER IN THE BOTTOM OF THE PVFB BY PULLING THE ELECTRICAL WIRES THROUGH THE CENTER OPENING. COMPRESS THE BASE DIVIDER ALLOWING IT TO SLIDE FREELY DOWN INTO THE PVFB. ALIGN THE BASE DIVIDER WITH THE DESIRED HUBS. PRESS THE LOCATION TAB DOWN TO SECURE THE BASE DIVIDER INTO POSITION.
- 3) PULL ELECTRICAL WIRES THROUGH THE RISER TUBE AND SNAP THE TUBE INTO THE BASE DIVIDER.
- 4) PULL DATA AND COMMUNICATION CABLES INTO POSITION ON THE OUTSIDE THE UPPER DIVIDER.
- 5) THE TRIM PLATE CAN NOW BE INSTALLED.



INFLOOR	Description
Part Number:	
PV7ADD-BS	Four 20A pre-wired power outlets and four Cat 6 data outlets.
*=Add color suffix: AL = Brushed Aluminum, BK=Black Paint, GY=Gray Paint, BS=Brass Paint	

