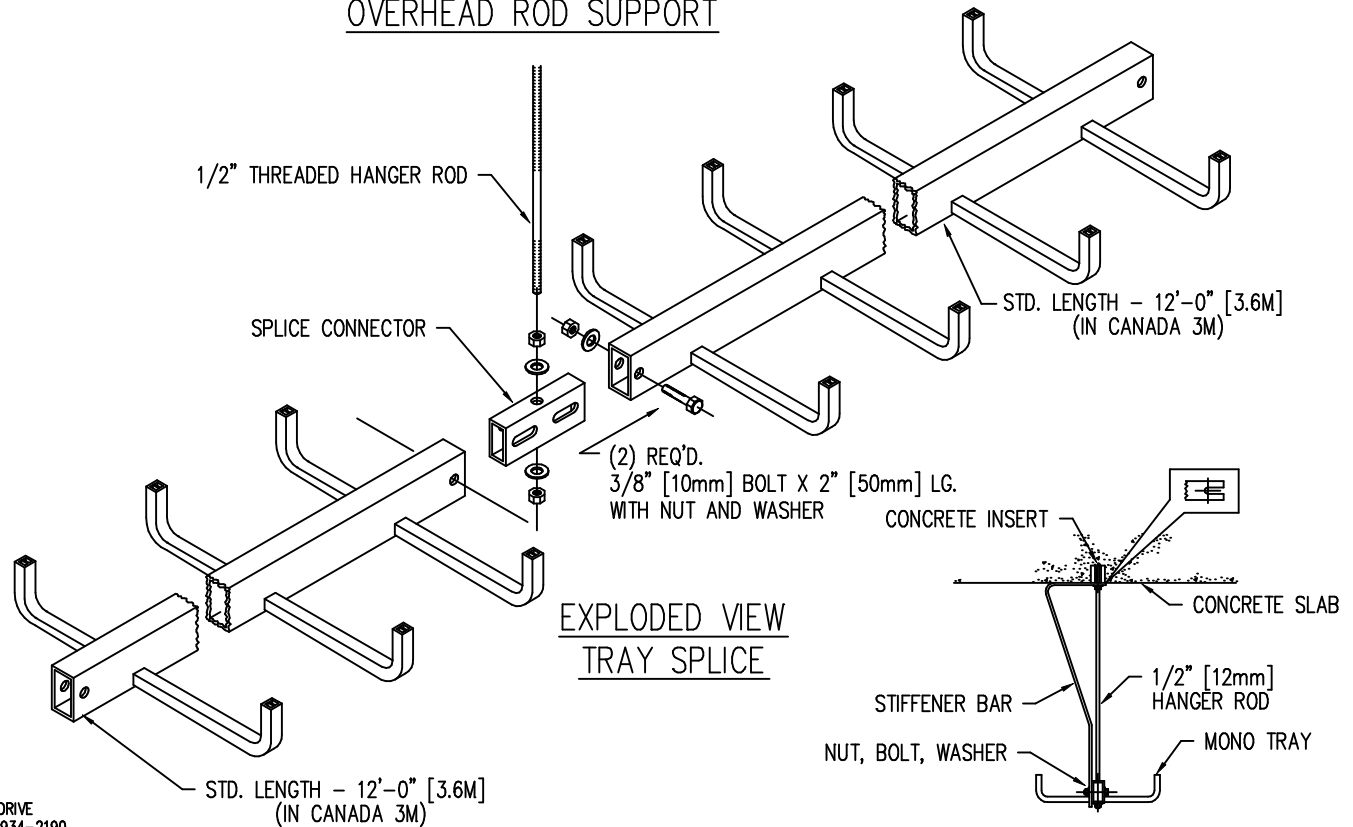


# MONO-TRAY TYPICAL BOTTOM RUNG INSTALLATION

**NOTES:**

1. TRAY DESIGNED FOR HANGING WITH 1/2" [12mm] DIAMETER THREADED ROD.
2. MAXIMUM SPAN IS 12 FEET (3.6M).
3. MAXIMUM LOAD CAPACITY IS 100 LBS./FT. ON A 12'-0" (3.6M) SPAN. IN CANADA 3M, CSA "C1" AND "D1".
4. AT SUPPORT POINTS, THREADED ROD MUST BE HUNG FROM CONCRETE INSERTS, CLAMPS OR DEVICES THAT ARE SECURELY FASTENED INTO THE SLAB, WALL OR BEAM SUFFICIENTLY TO CARRY THE LOAD OF THE TRAY AND ITS CONTENTS WITH A SAFETY FACTOR OF 3.
5. ECCENTRIC LOADING ON EACH SIDE OF TRAY SHOULD NOT EXCEED A 60% vs. 40% LOAD DIFFERENTIAL.
6. INSTALL STIFFENER BARS (CAT. NO. 0100-0569) ALONG THE LENGTH OF THE TRAY RUN WHEN LENGTH OF THREADED HANGER ROD (UNDERSIDE OF SLAB TO TRAY) EXCEEDS 3 FEET (.9M). SEE DRAWING AT RIGHT. STIFFENER BARS ARE MANUFACTURED WITH A PRE-LOAD ANGLE AND SHOULD BE MOUNTED OPPOSITE THE SIDE OF THE TRAY HAVING THE HEAVIER LOAD.
7. CONTRACTOR IS TO USE EXTRA HANGERS WHENEVER IN DOUBT OR FOR ANY UNUSUAL SITUATION. WHEN HANGER ROD IS MOUNTED AT OTHER THAN A SPLICE CONNECTOR POINT ALONG TRAY, DRILL A 5/8" (16mm) HOLE VERTICALLY THROUGH THE SPLINE AND INSERT HANGER ROD WITH NUTS AND WASHERS. DO NOT DRILL HOLES IN SPINE UNLESS A HANGER ROD IS USED.
8. WHEN CONNECTING TRAY SECTIONS AT OTHER THAN HANGING POINTS, USE SPLICE CONNECTORS WITH NO VERTICAL HOLES.
9. CABLE TRAY SHALL BE INSTALLED WITH COMPLETE ACCESS FROM EITHER SIDE TO ALLOW CABLE TO BE LAID DIRECTLY INTO THE TRAY IN LIEU OF PULLING.
10. LAY HEAVY CABLES IN CENTER OF TRAY.
11. DURING AND AFTER INSTALLATION OF CABLE TRAY, CARE MUST BE TAKEN BY ALL THE TRADESMEN NOT TO HANG FROM THE TRAY RUNGS OR WALK ON THE TRAY.
12. ALL NUTS, BOLTS AND WASHERS ARE SUPPLIED WITH ALL FITTINGS.
13. SEE M-S "APPLICATION MANUAL MDRAM.LIT-94" FOR FURTHER INSTALLATION INSTRUCTIONS.
14. IF A SECOND CONTRACTOR INSTALLS THE CABLES, HE SHOULD FIRST CHECK THAT THE CABLE TRAY HAS BEEN SECURELY AND PROPERLY INSTALLED BY THE FIRST CONTRACTOR AS PER M-S INSTRUCTIONS PRIOR TO LAYING THE CABLES.
15. WHEN PULLING CABLE INTO TRAY, SUFFICIENT ROLLERS AND SHEAVES MUST BE USED SO THAT THE TRAY IS NOT DAMAGED.
16. TRAY MFD. BY MONO-SYSTEMS, INC., 4 INTERNATIONAL DRIVE RYE BROOK, N.Y. 10573 PH: (914) 934-2075, FAX: (914) 934-2190.

## OVERHEAD ROD SUPPORT



## EXPLODED VIEW TRAY SPLICE

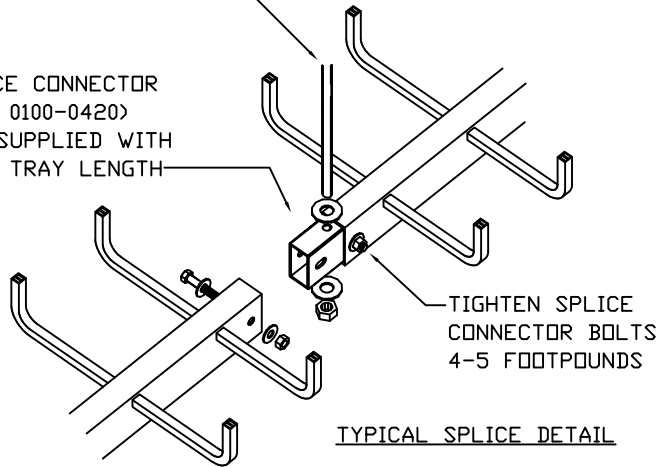
## STIFFENER BAR ASSEMBLY



**MONO-SYSTEMS, INC.**  
 UNIQUE CABLE DISTRIBUTION SOLUTIONS  
 4 INTERNATIONAL DRIVE  
 RYE BROOK, NEW YORK 10573  
 PHONE: (914)-934-2075  
 FAX: (914)-934-2190

1/2" (12mm)  
THREADED ROD  
(BY OTHERS)

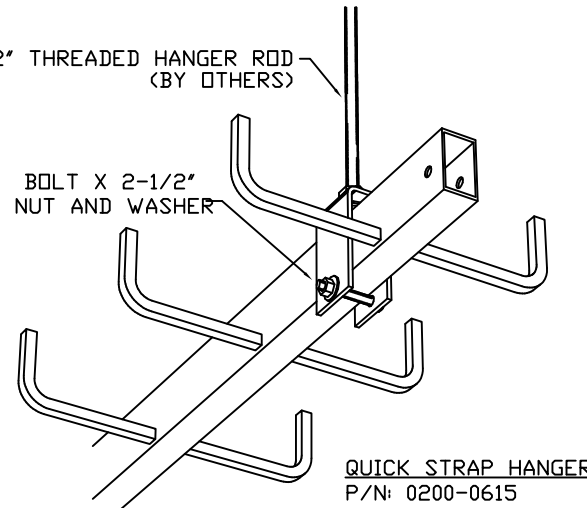
SPLICE CONNECTOR  
(P/N: 0100-0420)  
ONE SUPPLIED WITH  
EACH TRAY LENGTH



TYPICAL SPLICE DETAIL

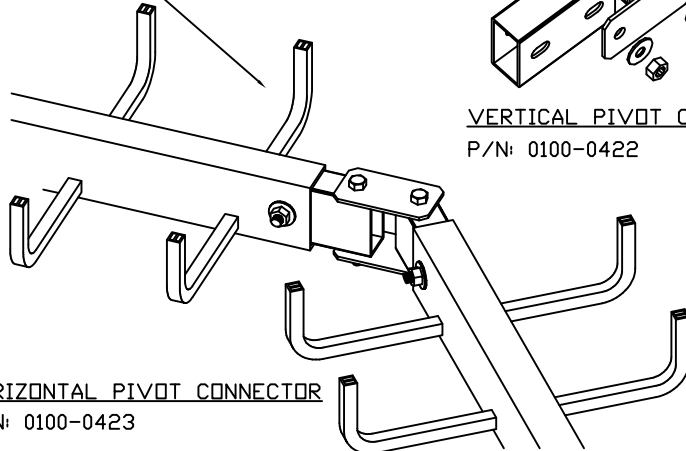
1/2" THREADED HANGER ROD  
(BY OTHERS)

3/8" BOLT X 2-1/2"  
WITH NUT AND WASHER

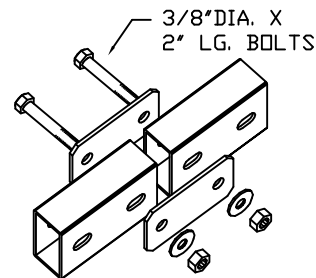


QUICK STRAP HANGER  
P/N: 0200-0615

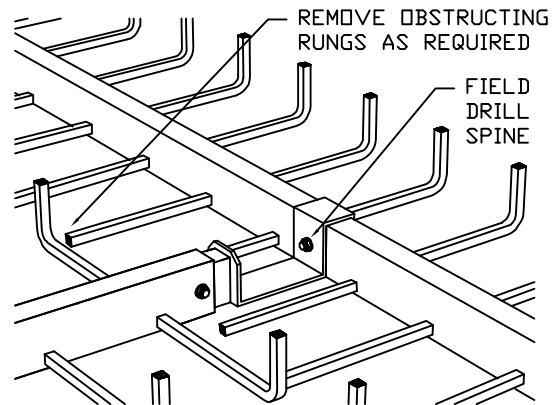
MONO-TRAY  
(SHOWN FOR  
REFERENCE)



HORIZONTAL PIVOT CONNECTOR  
P/N: 0100-0423



VERTICAL PIVOT CONNECTOR  
P/N: 0100-0422



TYPICAL QUICK TEE/ CROSS INSTALLATION



**MONO-SYSTEMS, INC.**  
UNIQUE CABLE DISTRIBUTION SOLUTIONS  
4 INTERNATIONAL DRIVE  
RYE BROOK, NEW YORK 10573  
PHONE: (914)-934-2075  
FAX: (914)-934-2190

ALL OPTIONAL ACCESSORIES SHOWN ORDERED SEPARATELY.