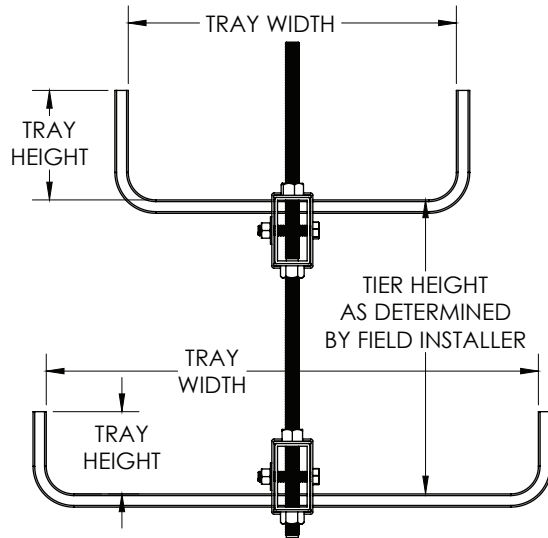


# Installation MT STACKED INSTRUCTIONS

**MonoTray™ Accessories**  
Manufactured in the USA by MonoSystems, Inc.



## VERTICAL STACKING OF MULTIPLE TIERS OF BOTTOM AND / OR TOP RUNG MONO-TRAY

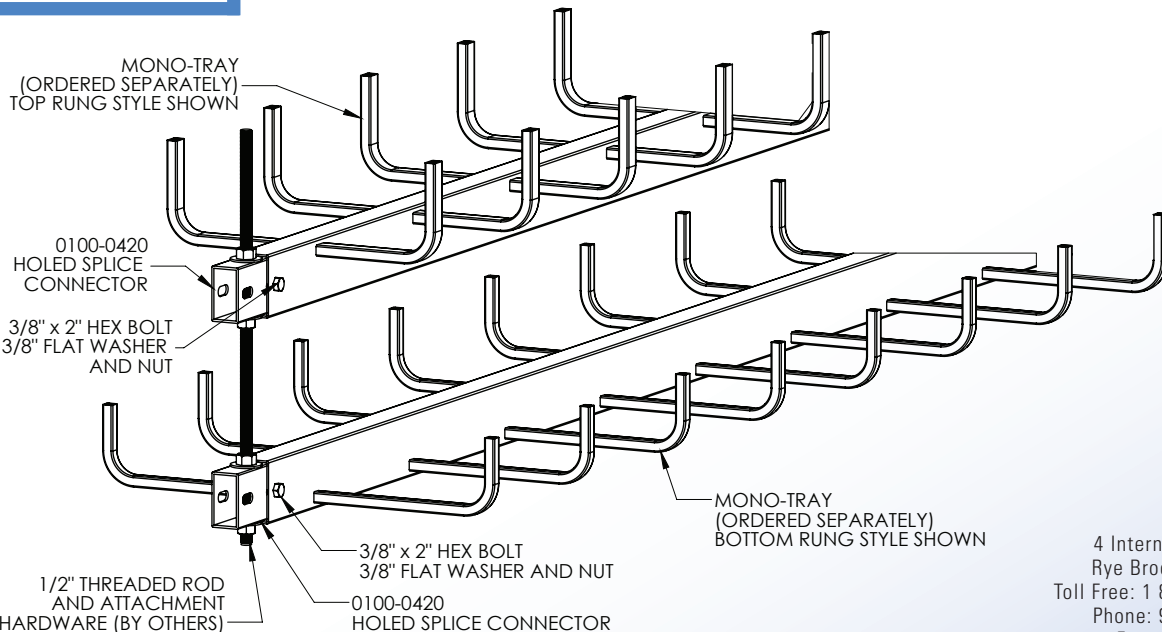


### Installation:

- 1.) Secure 0100-0420 holed splice connectors in place to threaded rod using 1/2" attachment hardware (by others) on top and bottom of connector.
- 2.) Attach mono tray to holed splice connectors (one on each end of tray) using 3/8" hardware as shown.

### Notes:

- 3.) Each tray ordered separately.
- 4.) Views for reference - Do not scale.



4 International Drive  
Rye Brook, NY 10573  
Toll Free: 1 888.764.7681  
Phone: 914.934.2075  
Fax: 914.934.2190  
MonoSystems.com

