

Cable Tray/Center Spine/Whalebone INSTALLATION

MonoTray™ Install

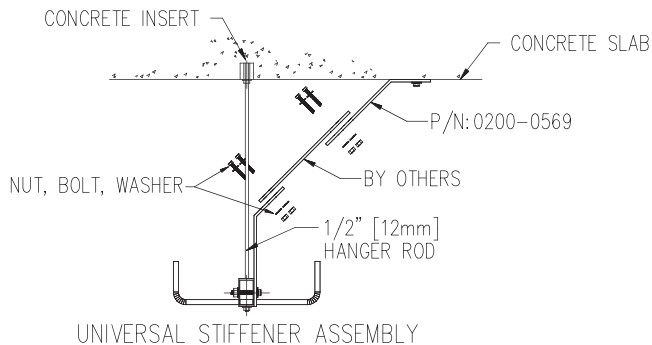
Manufactured in the USA by MonoSystems, Inc.



TYPICAL BOTTOM RUNG INSTALLATION

NOTES

- 1.) Tray designed for hanging with 1/2" (12mm) diameter threaded rod.
- 2.) Maximum span is 12 feet (3.6M)
- 3.) Maximum load capacity is 75lbs./ft. (113kKg/M) on a 12'-0" (3.6M) Span. in Canada 3M, CSA "C1" and "D1".
- 4.) At support points, threaded rod must be hung from concrete inserts, clamps or devices that are securely fastened into the slab, wall or beam sufficiently to carry the load of the tray and its contents with a safety factor of 3.
- 5.) Eccentric loading on each side of tray should not exceed a 60% vs. 40% load differential.
- 6.) Install universal stiffener bars (cat. no. 0200-0569) stabilizes eccentrically loaded cable tray stiffener bars are manufactured with a pre-
- 7.) Contractor is to use extra hangers whenever in doubt or for any unusual situation. When hanger rod is mounted at other than a splice connector point along tray, drill a 5/8" (16mm) hole vertically through the spine and insert hanger rod with nuts and washers. Do not drill holes in spine unless a hanger rod is used.
- 8.) When connecting tray sections at other than hanging points, use splice connectors with vertical holes.
- 9.) Cable tray shall be installed with complete access from either side to allow cable to be laid directly into the tray in lieu of pulling.
- 10.) Lay heavy cables in center of tray.
- 11.) During and after installation of cable tray, care must be taken by all the tradesmen not to hang from the tray rungs or walk on the tray.
- 12.) All nuts, bolts and washers are supplied with all fittings.
- 13.) See M-S "APPLICATION MANUAL MTD RAM.LIT-94" for further installation instructions.
- 14.) If a second contractor installs the cables, he should first check the cable tray has been securely and properly installed by the first contractor as per M-S instructions prior to laying the cables.
- 15.) When pulling cable into tray, sufficient rollers and sheaves must be used so that the tray is not damaged.
- 16.) Tray mfd. by Mono-Systems, Inc., 4 International Drive, Rye Brook, N.Y. 10573 PH: (914) 934-2075, Fax: (914) 934 - 2190



FILE: E80034
VOL.3



MonoSystems™
wire management. managed.™

4 International Drive
Rye Brook, NY 10573
Toll Free: 1 888.764.7681
Phone: 914.934.2075
Fax: 914.934.2190
MonoSystems.com

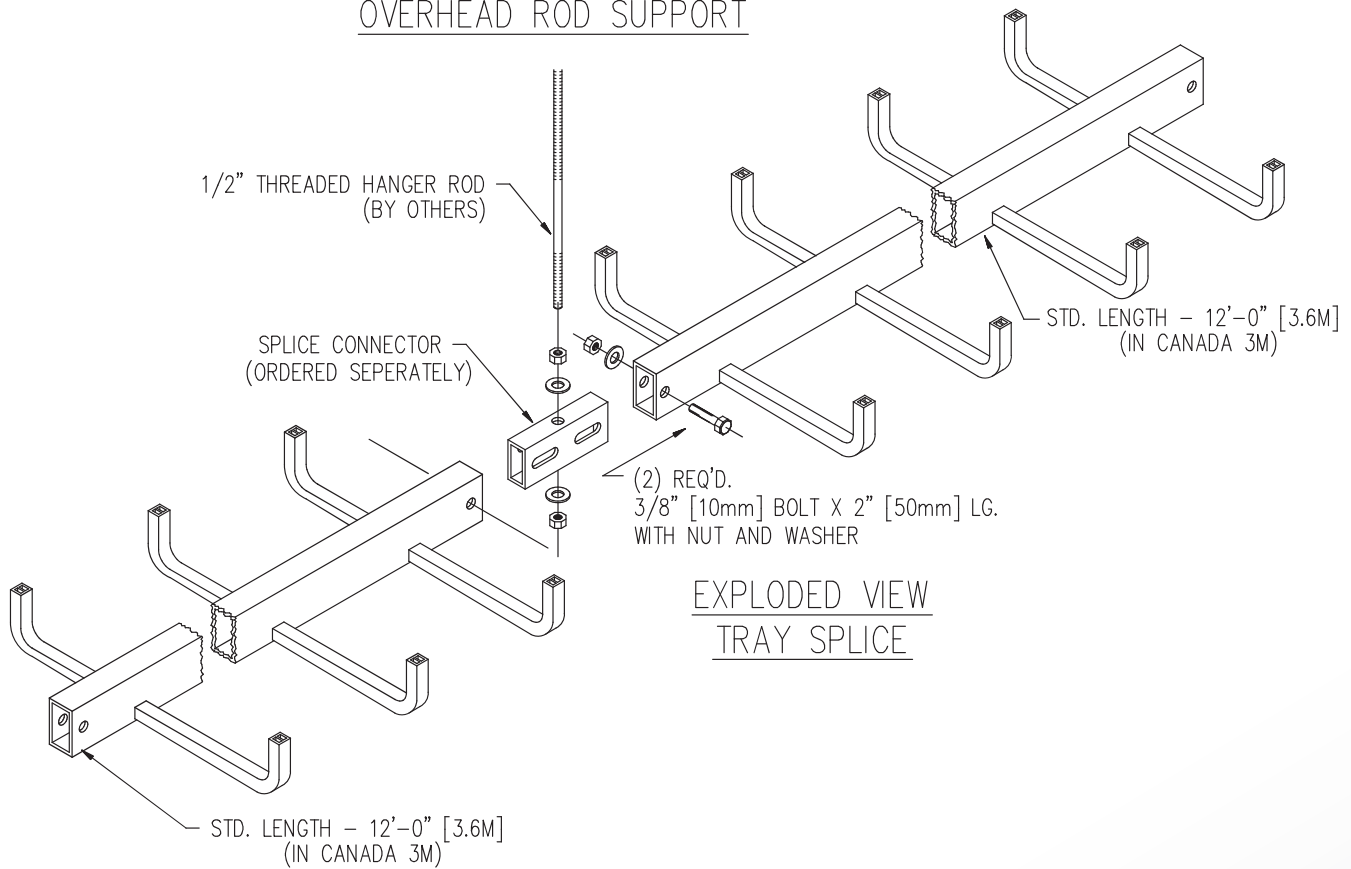
Cable Tray/Center Spine/Whalebone INSTALLATION

MonoTray™ Install

Manufactured in the USA by MonoSystems, Inc.



OVERHEAD ROD SUPPORT



EXPLODED VIEW TRAY SPLICE

4 International Drive
Rye Brook, NY 10573
Toll Free: 1 888.764.7681
Phone: 914.934.2075
Fax: 914.934.2190
MonoSystems.com



MonoSystems™
wire management. managed.