



Installation Instructions

Poke Through Assemblies: Outlet Boxes and Fittings

Type P Series factory assembled to an above floor service fitting (including wired 20A receptacles). For use in 1, 1-1/2, and 2 hour rated unprotected reinforced concrete floors, or in 1, 1-1/2, & 2, hour rated floors employing steel form units and concrete topping, or concrete floors with suspended ceilings. (Fire resistance designs with suspended ceilings should have provisions for accessibility in the ceiling area below the poke through fittings.

The assembled poke-through device and fitting will not reduce the rating of the floor assembly when the thickness and type of concrete (required for a specific rating) are within the specified limits, and the device is installed as specified.

1) Concrete: Minimum thickness of structural concrete topping if 2-1/4" over metal deck or a minimum of 3" thick reinforced concrete slab. Unit weight of concrete to be 113 to 155 pounds per cubic foot.

2) Installation: Mounted in 4" diameter drilled holes in concrete per instructions accompanying poke through fittings outlet boxes and abandonment fittings.

3) Spacing: Minimum of 2 feet on centers and not more than one unit per each 65 square foot floor area in each span.

Installation Instructions:

1. Notice: For installation by a qualified electrician in accordance with national and local electrical codes and the following instructions. A junction box (not provided) is required for Power and Lighting circuits.

Note: Internal Gasket must be installed in Poke Through when unit is not in use, and doors are in the closed position.

2. Check that all device types and ratings are suitable for installation.

3. Caution: Use copper conductors only.

4. Select conductors having 90 degree C or higher rated insulation and sufficient ampacity in accordance with the 60 degree C column of National Electric Code Table 310-16 or Canadian Electric Code Table 2.

5. Notice: Not intended to be used in high traffic installations and not intended to be used as a support for furniture.

Carpet Flange Cover: (PC* Series)

6. Drill a 7" Dia hole in carpet.

7. Core drill a 4" dia hole through the concrete floor.

8. Use provided gasket or apply a 1/4" thick continuous bead of electric grade type RTV silicone sealant compound fully around the perimeter on the underside of the flange, such that a complete and watertight seal is created.

9. Notice: Section 800-52(a) (2) of the National Electrical Code forbid power conductors sharing a common compartment with communication conductors.

10. Push poke through into core hole until service fitting is flush with floor. Installation locking ring will engage with concrete core hole, securing Poke Through in place. For additional security, the poke through flange can be anchored into the floor surface, using hardware by others.

11. Terminate all wiring per local codes.

12: For supplemental securing to floor, appropriate anchors may be fastened into the floor through the hole provided in the unit. Ensure that properly sized anchors are used. (by others).

Tile Flange Cover Assembly

13. Core Drill a 4" diameter hole through the concrete floor.

14. Follow steps 7 through 11.

15. Install tiles around the periphery of the flange. Seal entire periphery such that it is completely watertight.

Carpet Flange Cover Assembly: For installation onto Existing tile or Finished Floor:

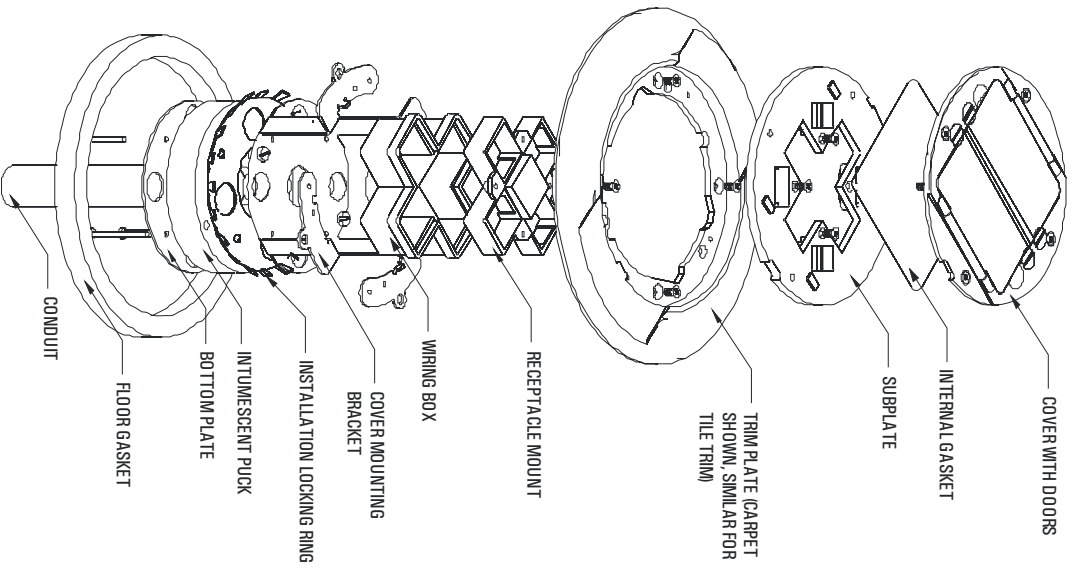
16. Core Drill a 4" hole through concrete floor.

17. Core Drill or cut a 5.75" diameter hole through x 1/8" Deep concentric to 4" core hole.

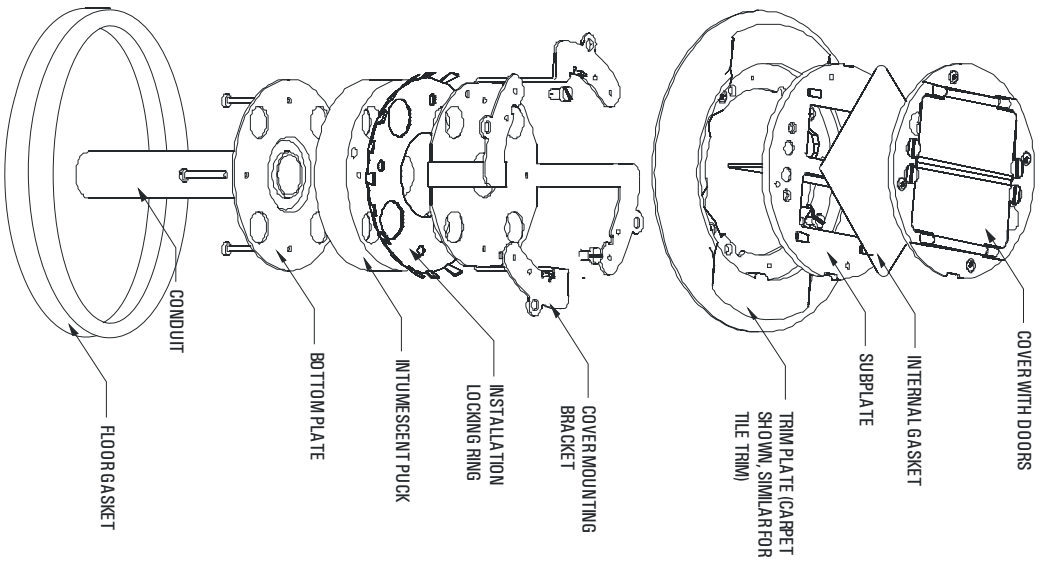
19. Follow Steps 8 through 11.

Wiring:

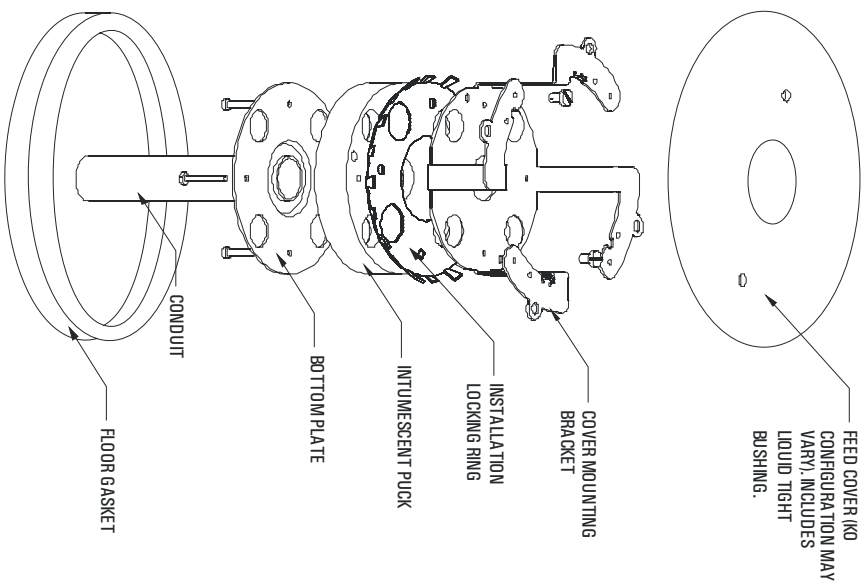
20. For Pre-Wired Poke Throughs: Attach appropriately sized electrical box to end of conduit using a properly sized bushing. Terminate all wiring to branch circuit wiring in accordance with NEC and local codes. Ensure that all components of system are properly grounded per NEC and local codes.



TYPICAL P4A SERIES
POKE THROUGH



TYPICAL P7A SERIES
POKE THROUGH



TYPICAL P9A SERIES