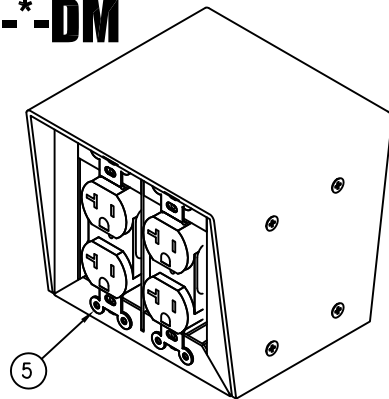
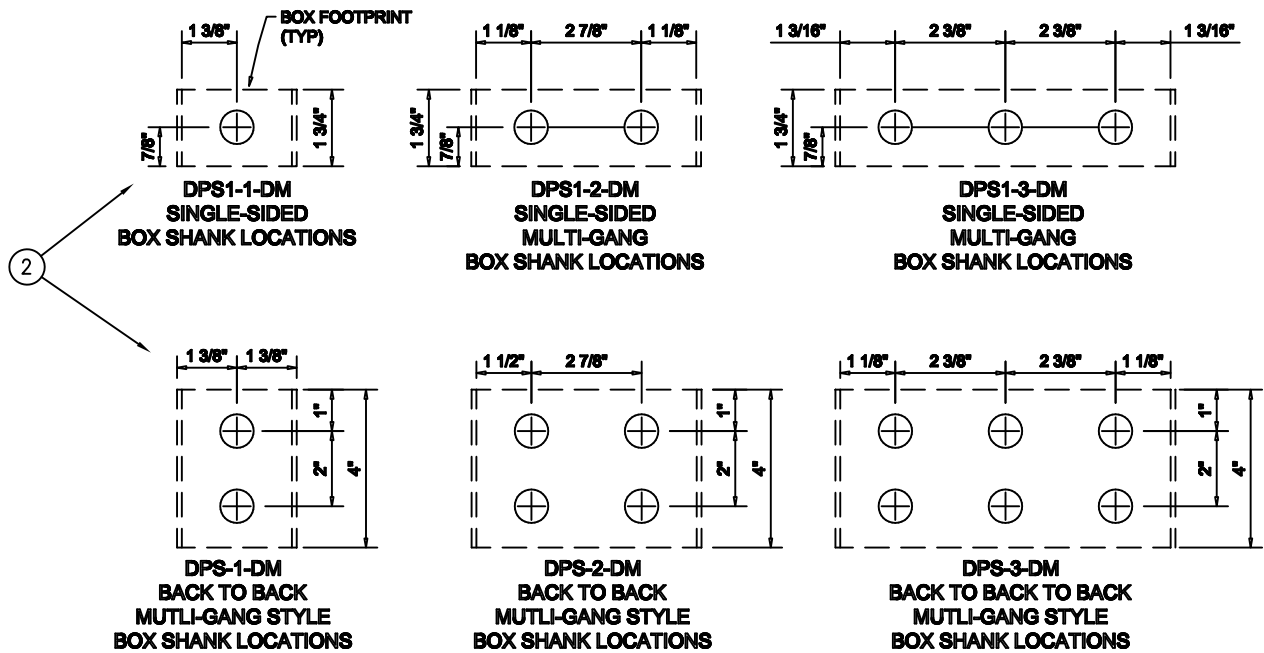
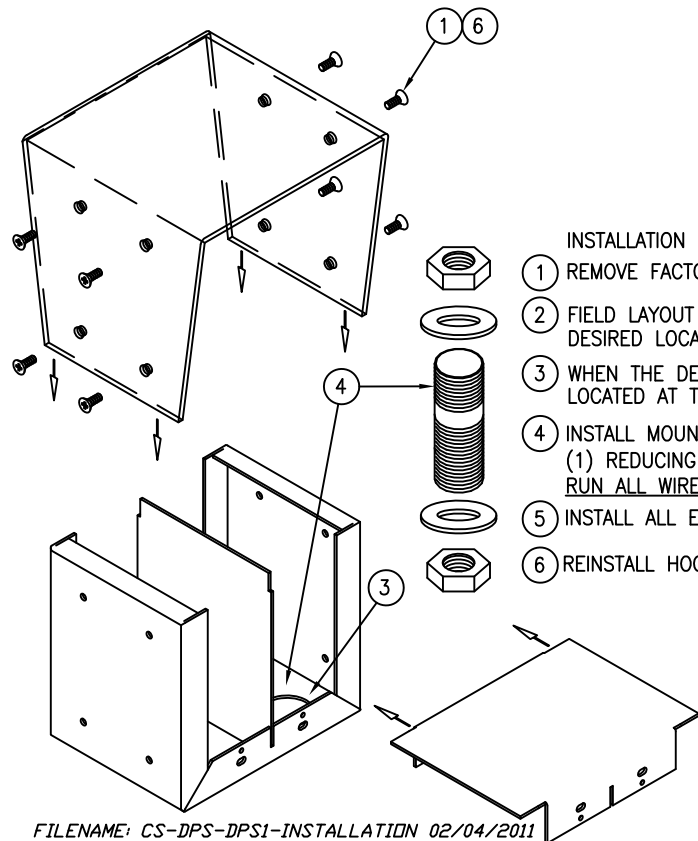


# DPS1\*-DM DPS\*-DM

## DESK PEDESTAL SYSTEM INSTALLATION



ISOMETRIC VIEW  
DPS1-2-DM SHOWN



### INSTALLATION INSTRUCTIONS:

- ① REMOVE FACTORY INSTALLED SCREWS FROM THE HOOD SECTION FROM THE BASE SECTION OF PEDESTAL UNIT.
- ② FIELD LAYOUT AND LOCATE POSITION OF HOLE(S), USING THE ABOVE BOX SHANK LOCATIONS. MEASURE DESIRED LOCATION AND POSITION (PER PEDESTAL BOX STYLE) OF THE HOLES REQUIRED.
- ③ WHEN THE DESIRED HOLE(S) LOCATIONS ARE DETERMINED, FIELD DRILL DESIRED HOLE DIAMETER TO MATCH 1 1/8" KNOCKOUT LOCATED AT THE BOTTOM OF THE PEDESTAL BOX. NOTE: FINISHED HOLE DIAMETER TO BE DETERMINED BY CONTRACTOR.
- ④ INSTALL MOUNTING HARDWARE (SUPPLIED BY OTHERS) CONSISTING OF (2) LOCKNUTS, (1) GROUNDING WASHER, (1) MOUNTING SHANK, (1) REDUCING WASHER INSIDE THE PEDESTAL FRAME WITH THE RECEPTACLES AND THE COVER PLATES REMOVED. NOTE: BE SURE TO RUN ALL WIRES THROUGH THE MOUNTING SHANK WITH A LONG ENOUGH PIGTAIL TO FINISH THE ASSEMBLY.
- ⑤ INSTALL ALL ELECTRICAL DEVICES AND CORRESPONDING FACEPLATES IN ACCORDANCE WITH THE LOCAL AND STATE ELECTRICAL CODES.
- ⑥ REINSTALL HOOD SECTION TO THE BASE SECTION OF THE PEDESTAL UNIT.



**MONO-SYSTEMS, INC.**  
UNIQUE CABLE DISTRIBUTION SOLUTIONS  
4 INTERNATIONAL DRIVE  
RYE BROOK, NEW YORK 10573  
PHONE: (914)-934-2075  
FAX: (914)-934-2190